



US00D856622S

(12) **United States Design Patent** (10) **Patent No.:** **US D856,622 S**
Sherman et al. (45) **Date of Patent:** **** Aug. 13, 2019**

- (54) **CART**
- (71) Applicant: **ZIBRA, LLC**, Mooresville, NC (US)
- (72) Inventors: **Michael Milton Sherman**, Mooresville, NC (US); **William Lane Ball**, Statesville, NC (US); **Brent Mitchell Beggs**, North Richland Hills, TX (US)
- (73) Assignee: **ZIBRA, LLC**, Mooresville, NC (US)
- (**) Term: **15 Years**
- (21) Appl. No.: **29/621,026**
- (22) Filed: **Oct. 3, 2017**

D802,869 S * 11/2017 Sherman D34/27
 D802,870 S * 11/2017 Sherman D34/27
 2016/0257329 A1* 9/2016 Sherman B62B 3/144

* cited by examiner

Primary Examiner — Cynthia Ramirez
 (74) *Attorney, Agent, or Firm* — Chad D Tillman; Tillman Wright, PLLC

(57) **CLAIM**
 The ornamental design for a cart, as shown and described.

DESCRIPTION

FIG. 1 is a perspective view of a front left corner of a cart showing our new design.
 FIG. 2 is a perspective view of the front of the cart of FIG. 1 following rotation in a counterclockwise direction of the cart from the view of FIG. 1.
 FIG. 3 is a perspective view of the front right corner of the cart of FIG. 1 following continued rotation of the cart from the view of FIG. 2.
 FIG. 4 is a perspective view of the right side of the cart of FIG. 1 following continued rotation of the cart from the view of FIG. 3.
 FIG. 5 is a perspective view of the back right corner of the cart of FIG. 1 following continued rotation of the cart from the view of FIG. 4.
 FIG. 6 is a perspective view of the back of the cart of FIG. 1 following continued rotation of the cart from the view of FIG. 5.
 FIG. 7 is a perspective view of the back left corner of the cart of FIG. 1 following continued rotation of the cart from the view of FIG. 6.
 FIG. 8 is a perspective view of the left side of the cart of FIG. 1 following continued rotation of the cart from the view of FIG. 7; and,
 FIG. 9 is a perspective view of the top of the cart of FIG. 1. The broken lines in the figures are included for the purpose of illustrating portions of the cart and form no part of the claimed design.

Related U.S. Application Data

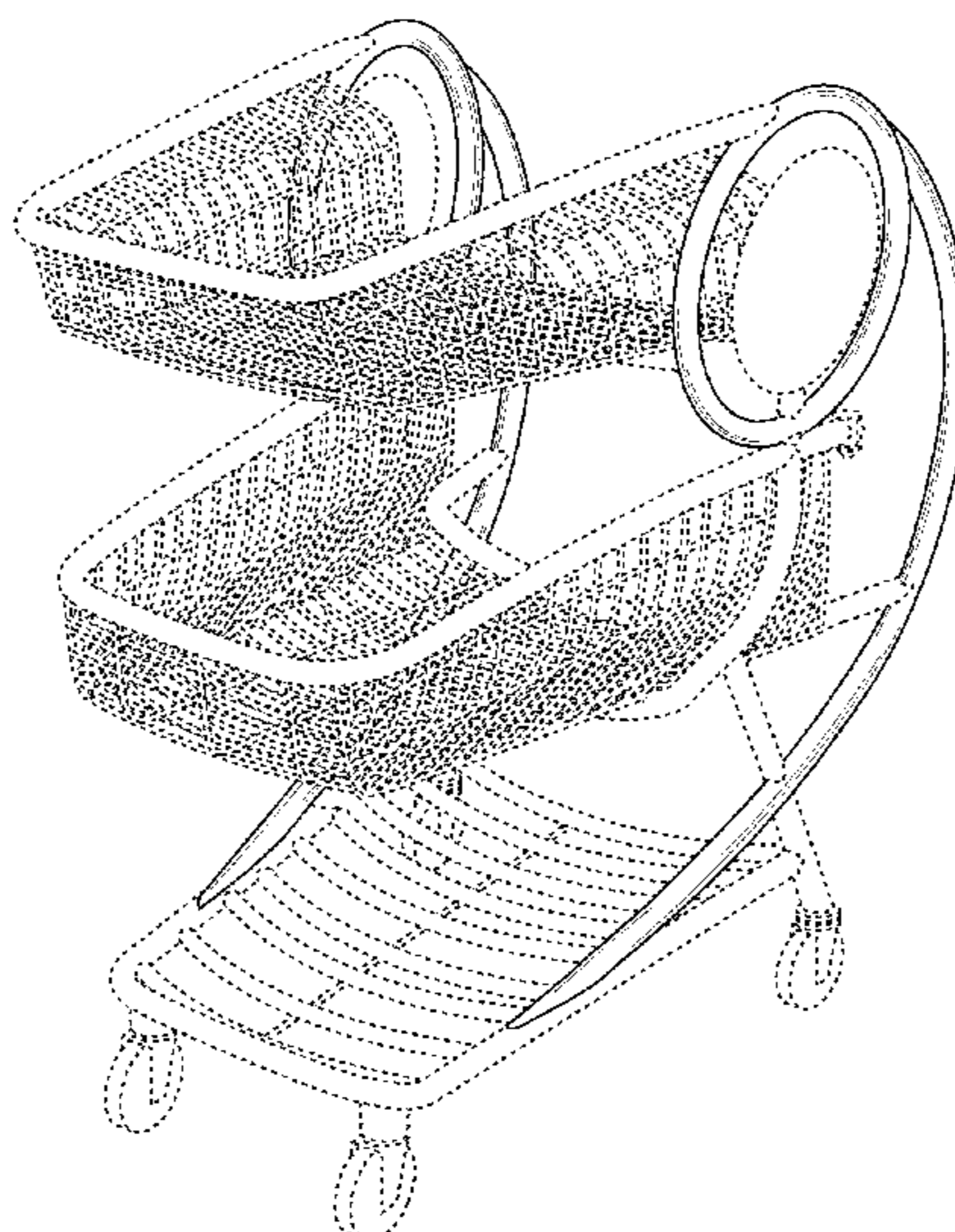
- (62) Division of application No. 29/550,895, filed on Jan. 7, 2016, now Pat. No. Des. 800,408.
- (51) **LOC (12) Cl.** **12-02**
- (52) **U.S. Cl.**
USPC **D34/27**
- (58) **Field of Classification Search**
USPC D34/12–26, 27
CPC B62B 3/14; B62B 3/144; B62B 3/1496; B62B 3/1404; B62B 2501/065; B62B 2/06; B62B 2/069; B62B 2/0423; B62B 5/06; B62B 5/069; B62B 5/0423
See application file for complete search history.

References Cited

U.S. PATENT DOCUMENTS

- D633,269 S * 2/2011 Walter D34/21
- D749,286 S * 2/2016 Sherman D34/27
- D790,147 S * 6/2017 Sherman D34/27
- D802,867 S * 11/2017 Sherman D34/27
- D802,868 S * 11/2017 Sherman D34/27

1 Claim, 9 Drawing Sheets



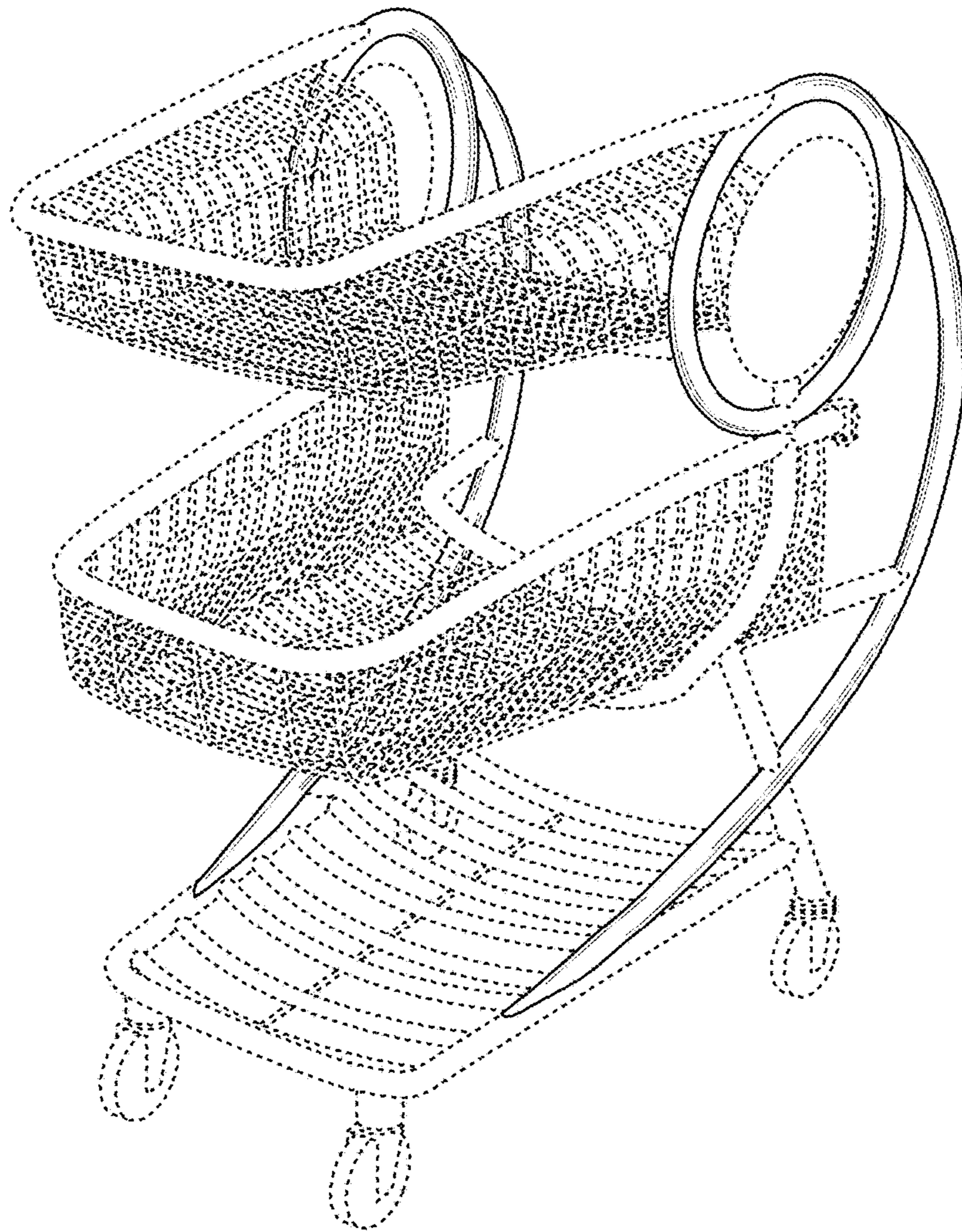


FIG. 1

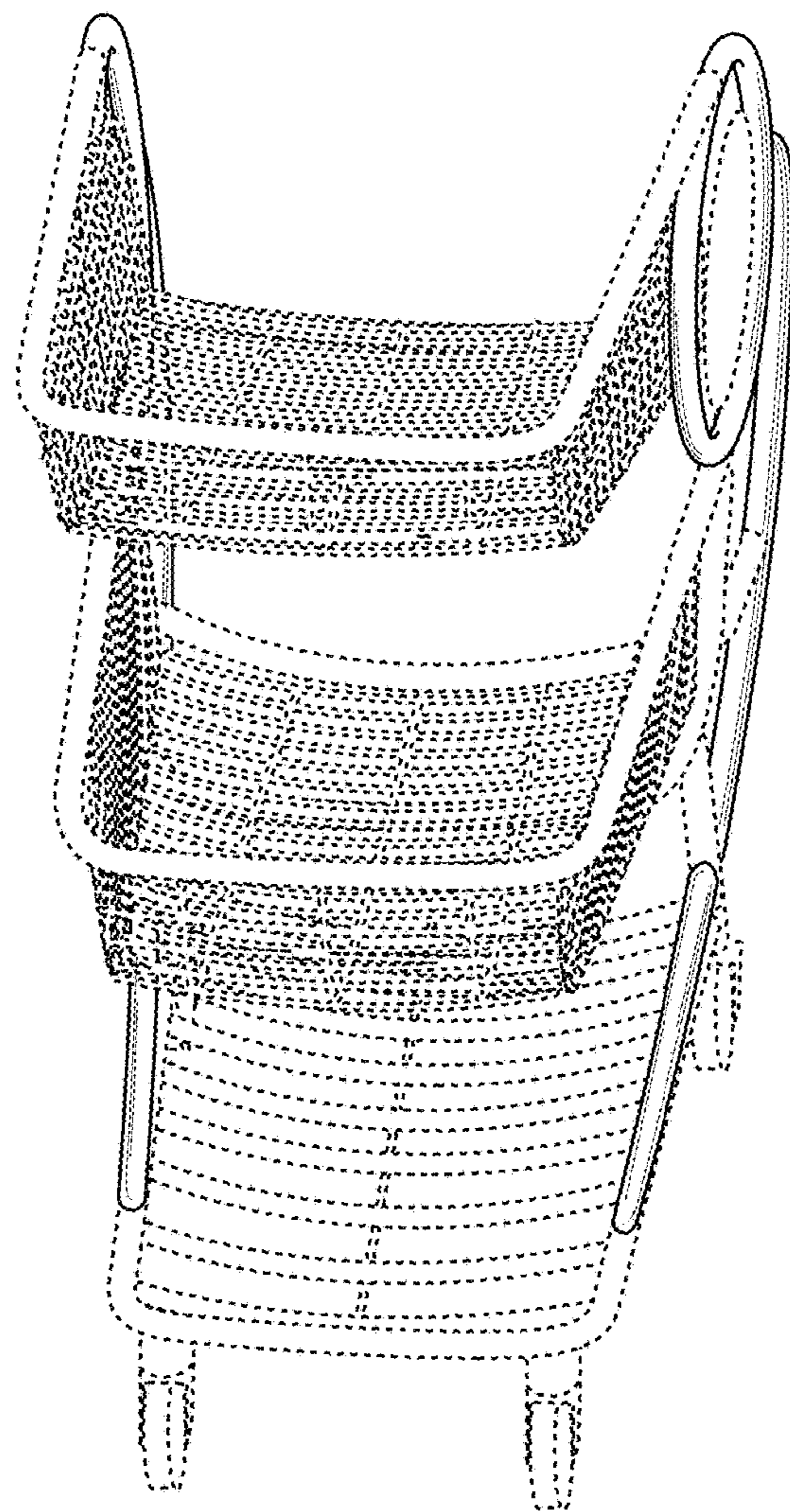


FIG. 2

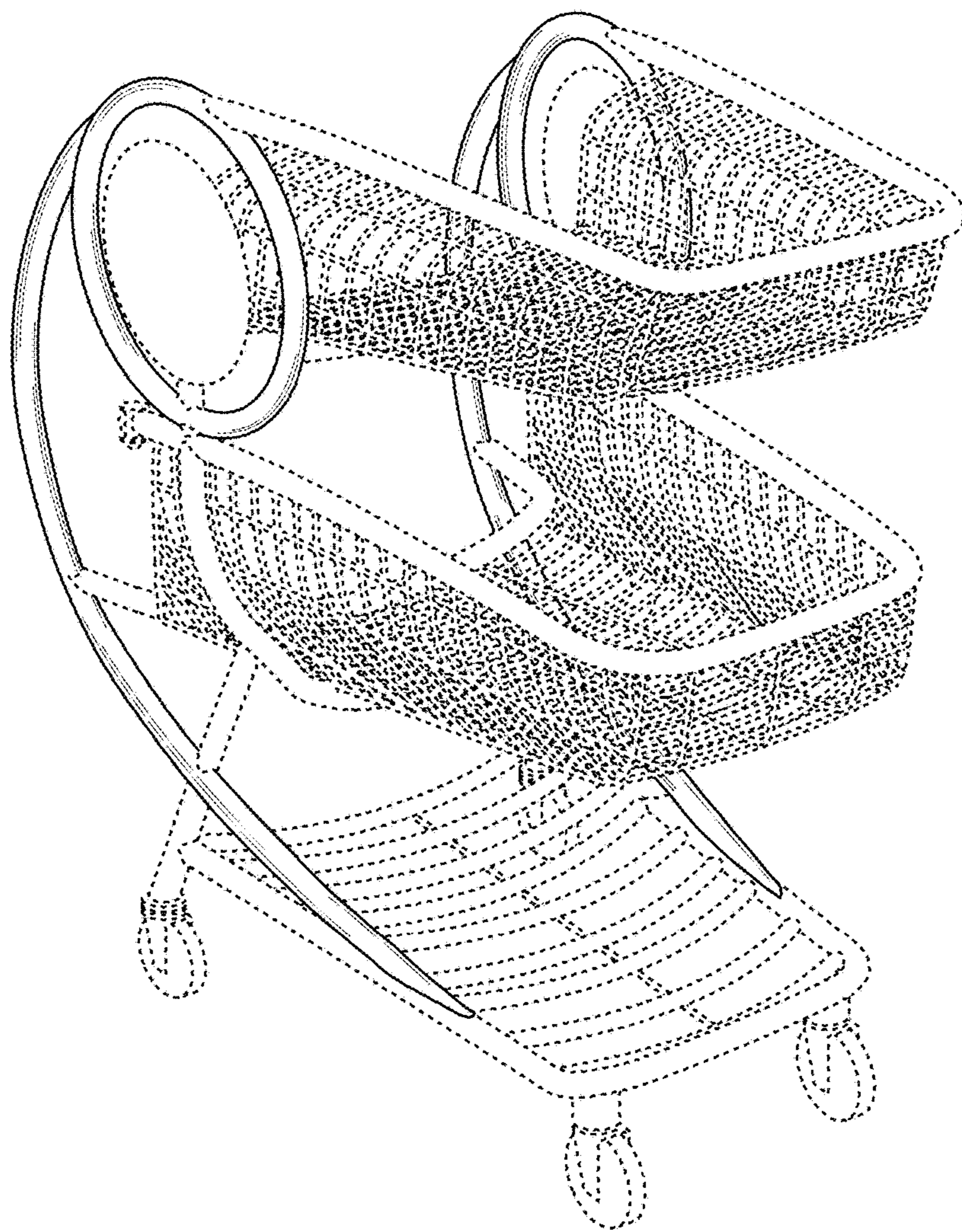


FIG. 3

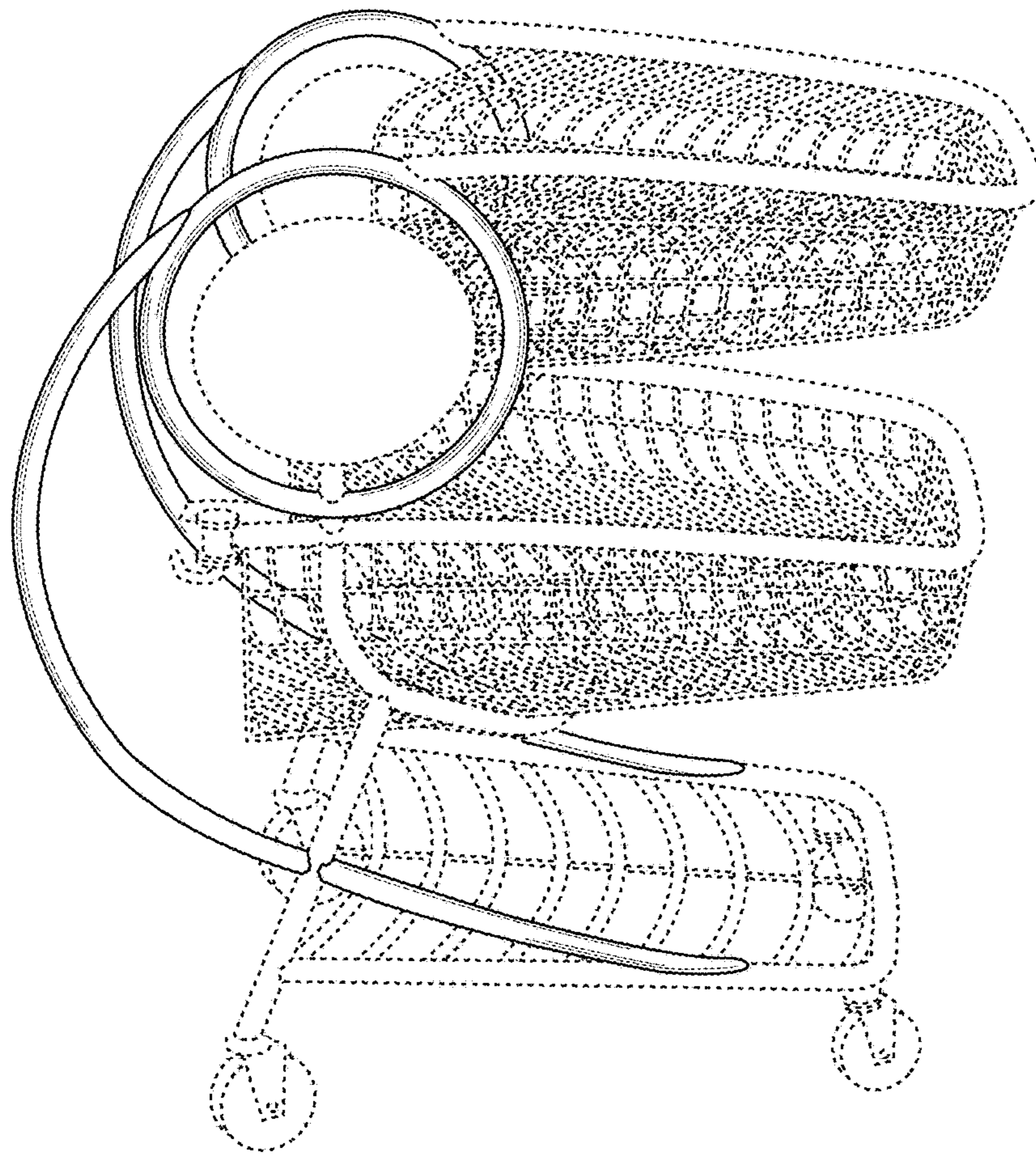


FIG. 4

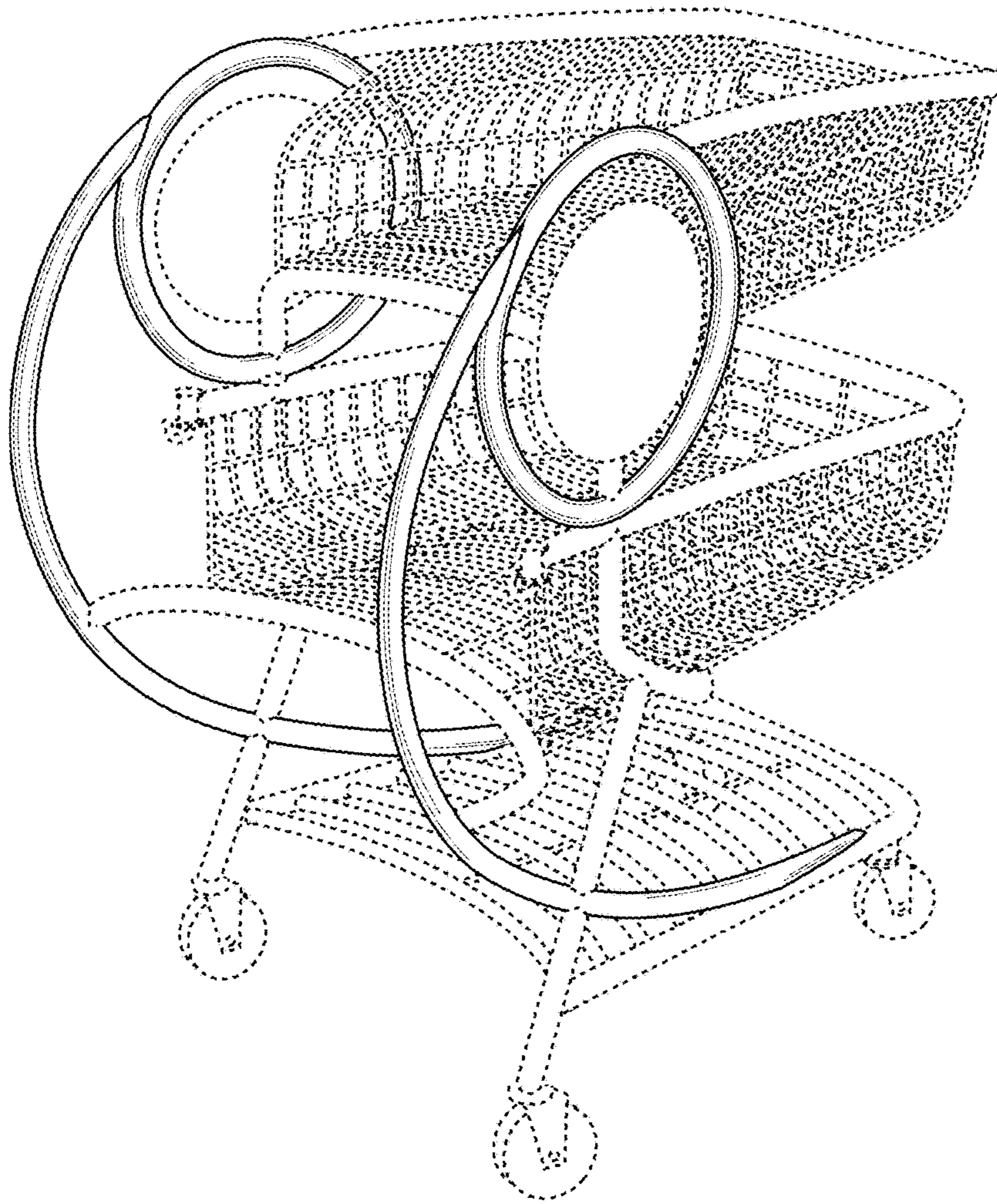


FIG. 5

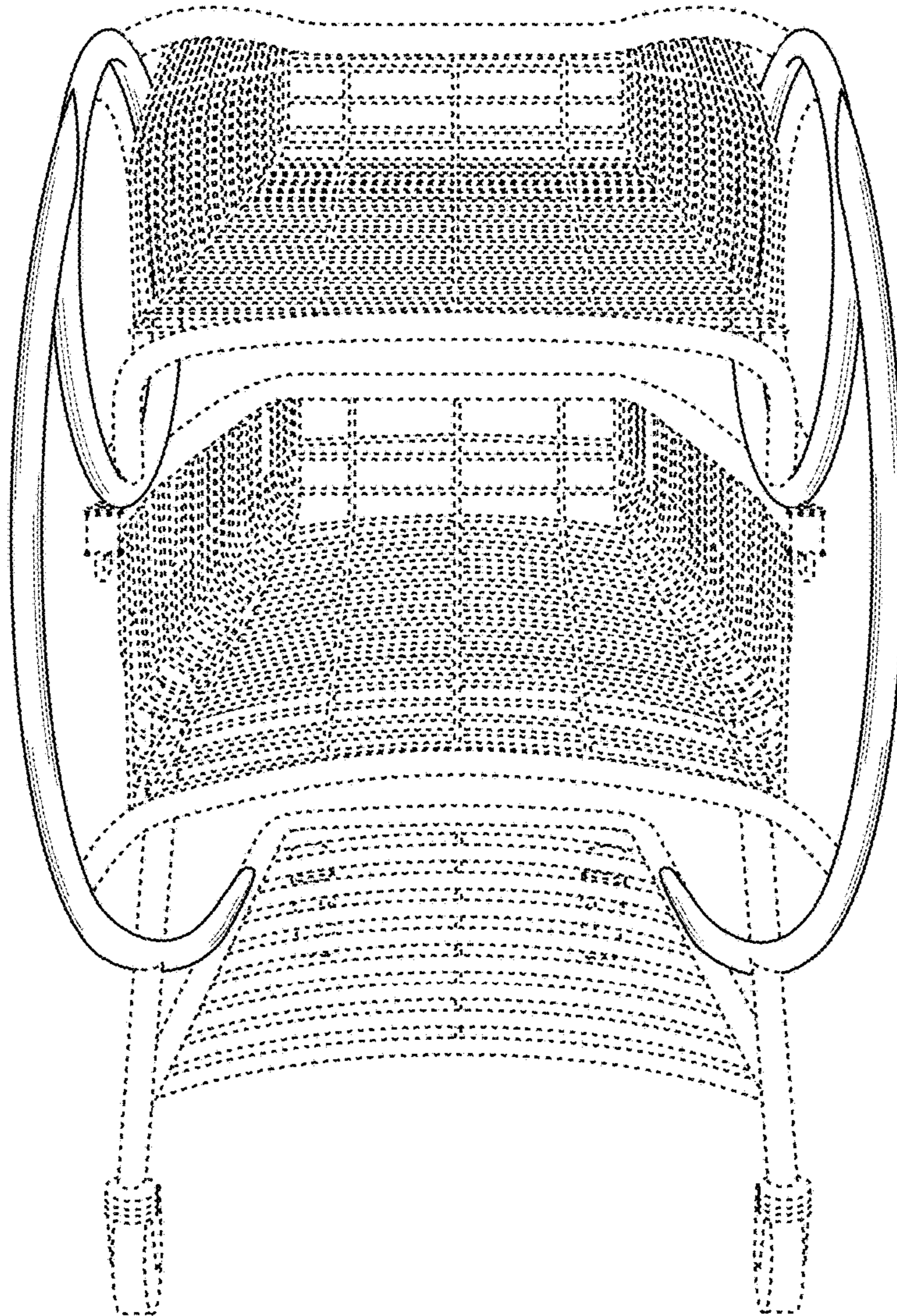


FIG. 6

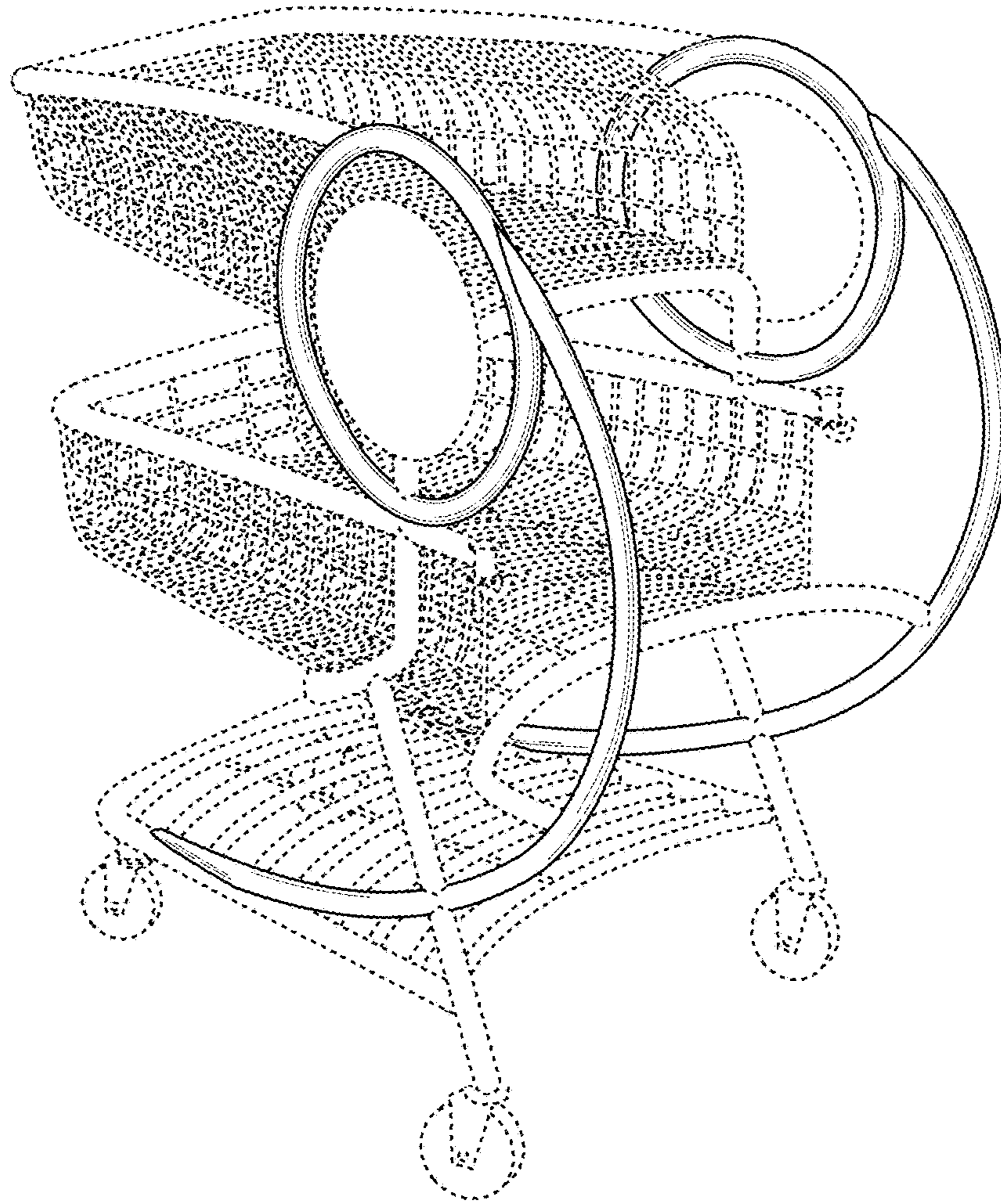


FIG. 7

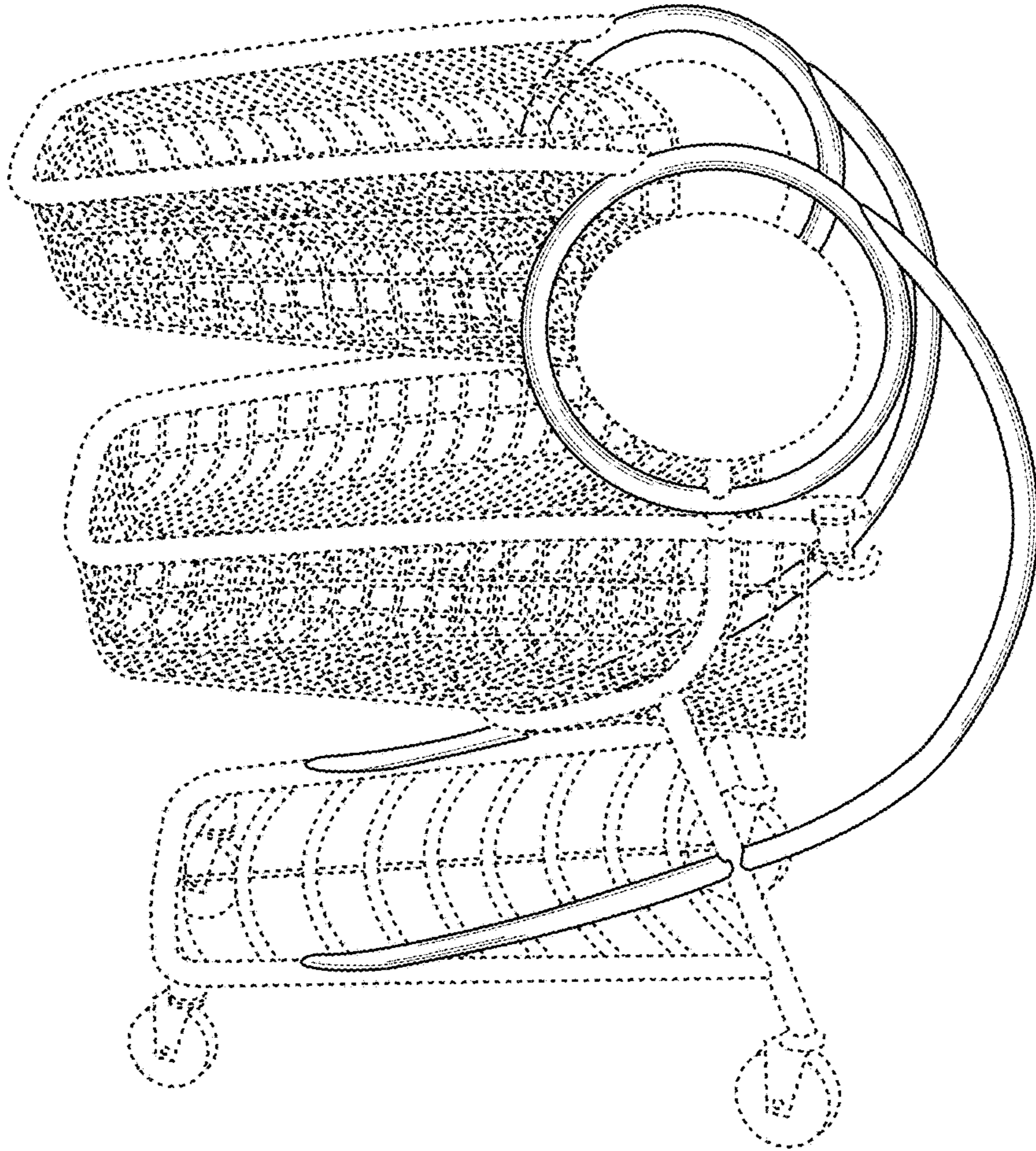


FIG. 8

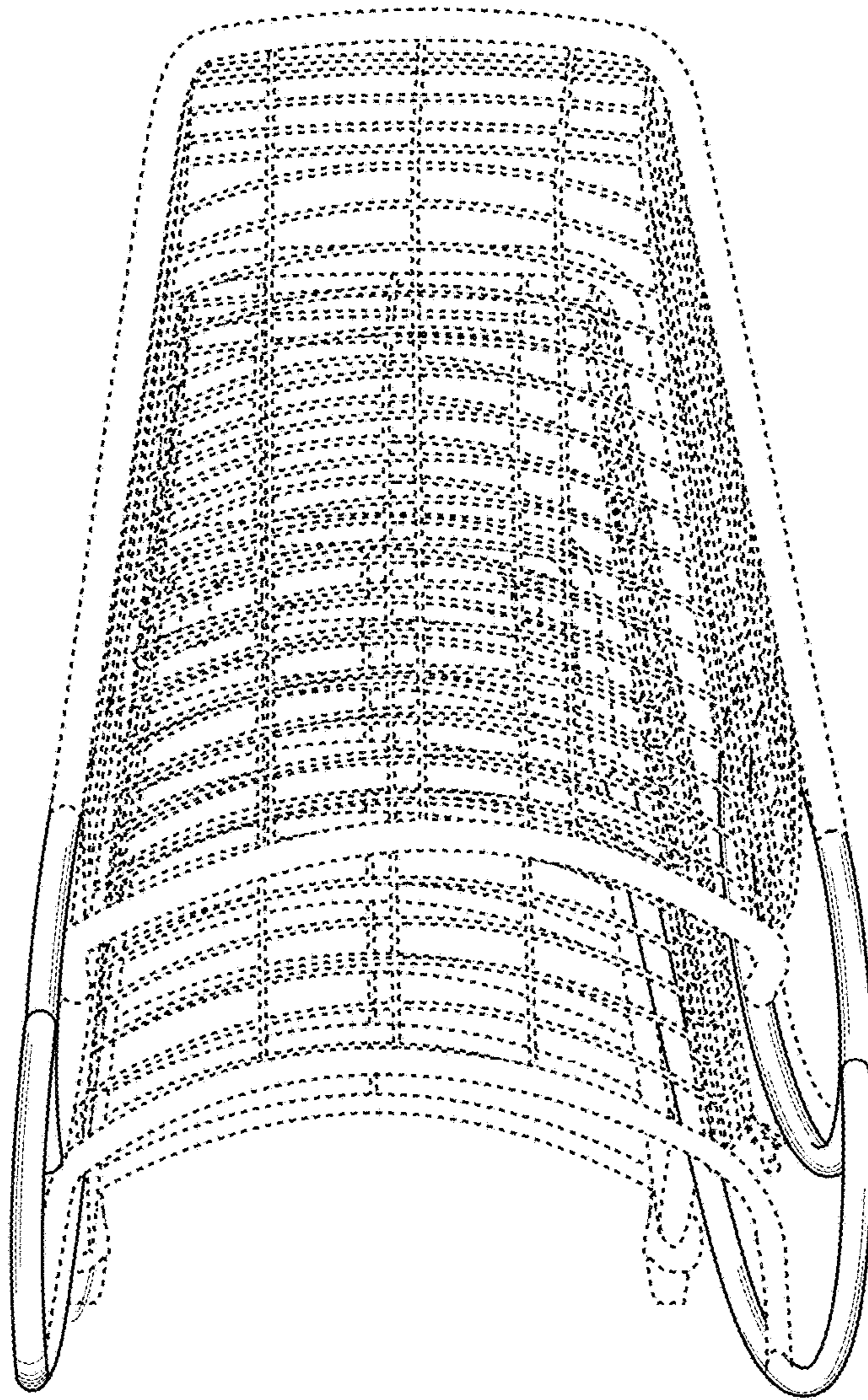


FIG. 9