



US00D856620S

(12) **United States Design Patent** (10) **Patent No.:** **US D856,620 S**  
**Walter et al.** (45) **Date of Patent:** **\*\* Aug. 13, 2019**

- (54) **CART**
- (71) Applicant: **AMSA, Inc.**, Boulder, CO (US)
- (72) Inventors: **Ivor Michel Walter**, Boulder, CO (US);  
**Wilson Zeng**, Foshan (CN)
- (73) Assignee: **AMSA, Inc.**, Boulder, CO (US)
- (\*\*) Term: **15 Years**

- 4,850,604 A 7/1989 Le Marchand et al.
- D340,334 S 10/1993 Kean et al.
- D386,873 S 11/1997 Langlois d'Estaintot et al.
- D399,625 S 10/1998 Murphy et al.
- 6,739,605 B2 5/2004 Calmeise et al.
- D542,997 S 5/2007 Coderre
- D548,421 S 8/2007 Walter

(Continued)

- (21) Appl. No.: **29/614,983**
- (22) Filed: **Aug. 24, 2017**

**Related U.S. Application Data**

- (63) Continuation of application No. 29/560,272, filed on Apr. 5, 2016, now Pat. No. Des. 798,018.
- (51) **LOC (12) Cl.** ..... **12-02**
- (52) **U.S. Cl.**  
USPC ..... **D34/17**
- (58) **Field of Classification Search**  
USPC ..... D34/12-27; 280/47.18, 47.27, 47.34,  
280/651, 33.996, 33.991, 33.994  
CPC .. B62B 3/02; B62B 3/002; B62B 3/14; B62B  
3/001; B62B 3/022; B62B 3/027; B62B  
3/12; B62B 3/005; B62B 3/1404  
See application file for complete search history.

(56) **References Cited**

**U.S. PATENT DOCUMENTS**

- 2,764,419 A 9/1956 Enders
- D199,670 S 12/1964 Inglis
- 3,429,403 A 2/1969 Dreschler et al.
- D221,748 S 9/1971 Bloomfeld et al.
- D226,809 S 5/1973 Cummings et al.
- D238,663 S 2/1976 Schiffman
- D240,297 S 6/1976 Trubiano
- D280,858 S 10/1985 Muellner et al.
- D297,677 S 9/1988 Conn
- 4,826,186 A 5/1989 Hagelin

**OTHER PUBLICATIONS**

Applicant AMSA, Inc. DBA VersaCart Systems Brochure for Orgill Spring Dealer Market 2015. 6 pages.

(Continued)

*Primary Examiner* — Cynthia Ramirez

(74) *Attorney, Agent, or Firm* — Polson Intellectual Property Law P.C.; Margaret Polson

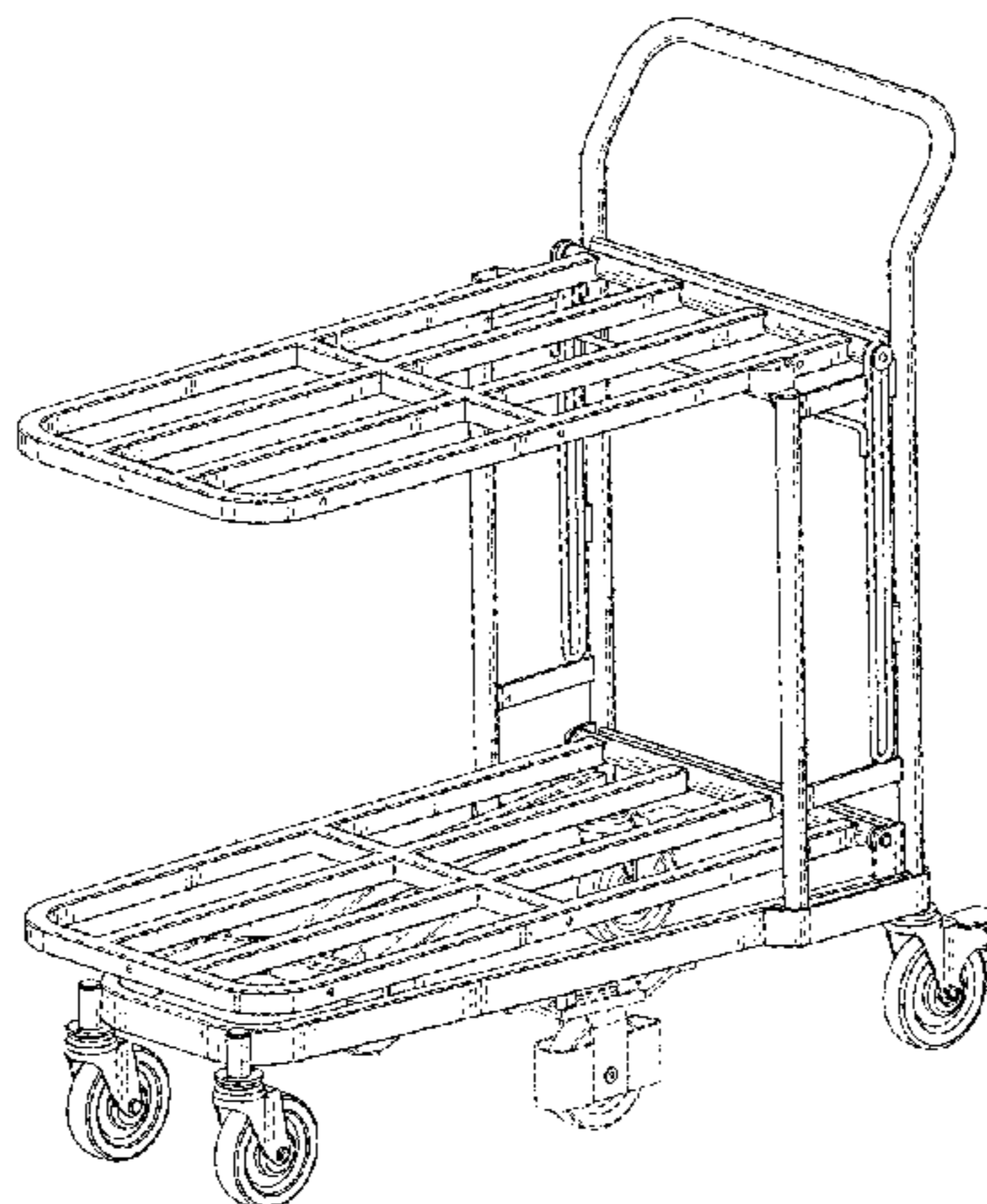
(57) **CLAIM**

The ornamental design for a cart, as shown and described.

**DESCRIPTION**

FIG. 1 is a front isometric view of a cart showing my new design.  
 FIG. 2 is a right side view, the left side being a mirror images thereof.  
 FIG. 3 is a front elevational view thereof.  
 FIG. 4 is a back elevational view thereof.  
 FIG. 5 is a top plan view thereof.  
 FIG. 6 is a bottom plan view thereof.  
 FIG. 7 is another right side view thereof, showing an alternate position, with the left side view being a mirror image thereof; and,  
 FIG. 8 is another right side view shown in condition of use, with the left side view being a mirror image thereof.  
 The features shown in broken lines in the drawing depict environmental subject matter only and form no part of the claimed design.

**1 Claim, 7 Drawing Sheets**



(56)

**References Cited**

U.S. PATENT DOCUMENTS

D576,372 S	9/2008	Walter	
D577,172 S	9/2008	Coderre	
D580,617 S	11/2008	Walter	
D607,173 S	12/2009	Selvig et al.	
D615,723 S	5/2010	Walter	
D793,644 S	8/2017	Walter	
D798,018 S *	9/2017	Walter	..... D34/17
2003/0205873 A1	11/2003	Orozco	
2009/0309322 A1	12/2009	Selvig et al.	

OTHER PUBLICATIONS

Applicant AMSA, Inc. DBA VersaCart Systems Brochure for Orgill Fall Dealer Market 2015. 6 pages.  
 Applicant AMSA, Inc. DBA VersaCart Systems Brochure for Orgill Fall Market 2012. 4 pages.  
 Applicant AMSA, Inc. DBA VersaCart Systems Brochure for Orgill Spring Dealer Market 2014. 6 pages.  
 Applicant AMSA, Inc. DBA VersaCart Systems Brochure for Orgill Fall Dealer Market 2014. 6 pages.  
 Applicant AMSA, Inc. DBA VersaCart Systems Retail & Distribution Catalog 2008. 50 pages.  
 Applicant AMSA, Inc. DBA VersaCart Systems Brochure for ACE Spring Convention 2013. 4 pages.  
 Applicant AMSA, Inc. DBA VersaCart Systems Brochure for ACE Spring Convention 2014. 4 pages.  
 Applicant AMSA, Inc. DBA VersaCart Systems Brochure for ACE Spring Convention 2015. 4 pages.  
 Applicant AMSA, Inc. DBA VersaCart Systems Brochure for ACE Spring Convention 2016. 4 pages.  
 Applicant AMSA, Inc. DBA VersaCart Systems Brochure for ACE Spring Market 2012. 2 pages.  
 Applicant AMSA, Inc. DBA VersaCart Systems Brochure for ACE Spring Convention 2017. 4 pages.  
 Applicant AMSA, Inc. DBA VersaCart Systems Brochure for Do It Best Spring Market 2017. 6 pages.

Applicant AMSA, Inc. DBA VersaCart Systems Brochure for Orgill Spring Dealer Market 2016. 6 pages.  
 Applicant AMSA, Inc. DBA VersaCart Systems Brochure for True Value Spring Reunion 2017. 2 pages.  
 Applicant AMSA, Inc. DBA VersaCart Systems SuperValu Expo flyer Aug. 3, 2016. 2 pages.  
 Applicant AMSA, Inc. DBA VersaCart Systems Unified Expo flyer Aug. 2016. 2 pages.  
 Applicant AMSA, Inc. DBA VersaCart Systems True Value flyer Fall Reunion 2017. 2 pages.  
 Applicant AMSA, Inc. DBA VersaCart Systems True Value flyer Fall Reunion 2016. 2 pages.  
 Applicant AMSA, Inc. DBA VersaCart Systems Brochure for ACE Fall Convention 2016. 4 pages.  
 Applicant AMSA, Inc. DBA VersaCart Systems Brochure for ACE Fall Convention 2017. 4 pages.  
 Applicant AMSA, Inc. DBA VersaCart Systems Brochure for Do It Best Fall Market 2016. 6 pages.  
 Applicant AMSA, Inc. DBA VersaCart Systems Brochure for Do It Best Fall Market 2017. 6 pages.  
 Applicant AMSA, Inc. DBA VersaCart Systems Brochure for Orgill Fall Dealer Market Las Vegas 2016. 6 pages.  
 Applicant AMSA, Inc. DBA VersaCart Systems Brochure for Orgill Fall Dealer Market Boston 2016. 6 pages.  
[http://www.premiercarts.com/warehouse\\_carts.htm](http://www.premiercarts.com/warehouse_carts.htm) Material Handling Warehouse Carts.  
 MarkeTools Stock Trucks Scan of website [<http://www.marketools.net/stocktrucks.html>] showing prior art carts manufactured by Marke Tools.  
 MarkeTools Shopping carts Scan of website [<http://www.marketools.net/shoppingcarts.html>] showing prior art carts manufactured by Marke Tools.  
 U.S. Appl. No. 29/481,004, filed Jan. 31, 2014, inventor Walter et al.  
 U.S. Appl. No. 29/517,942, filed Feb. 18, 2015, inventor Walter et al.

\* cited by examiner

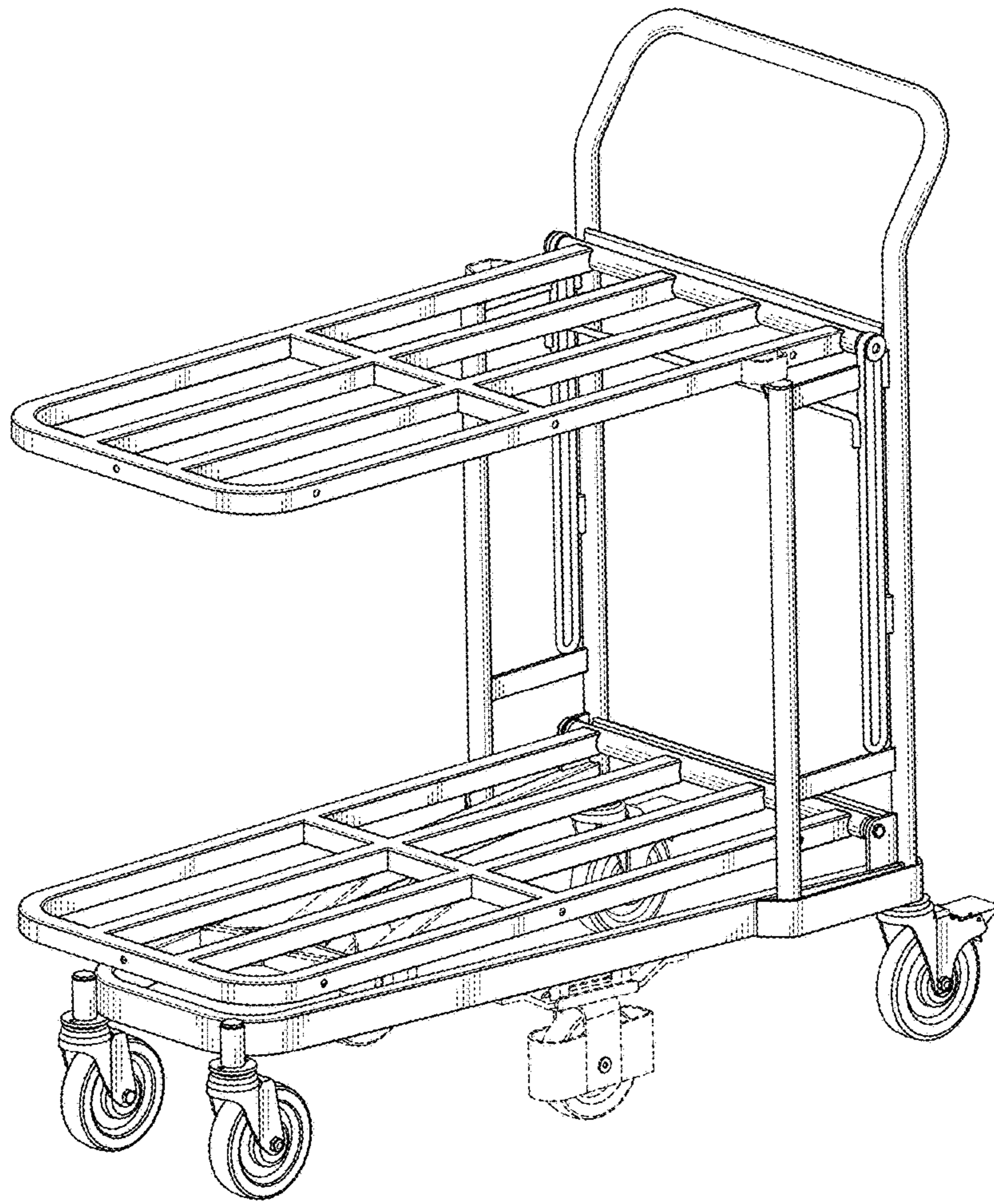


FIG.1

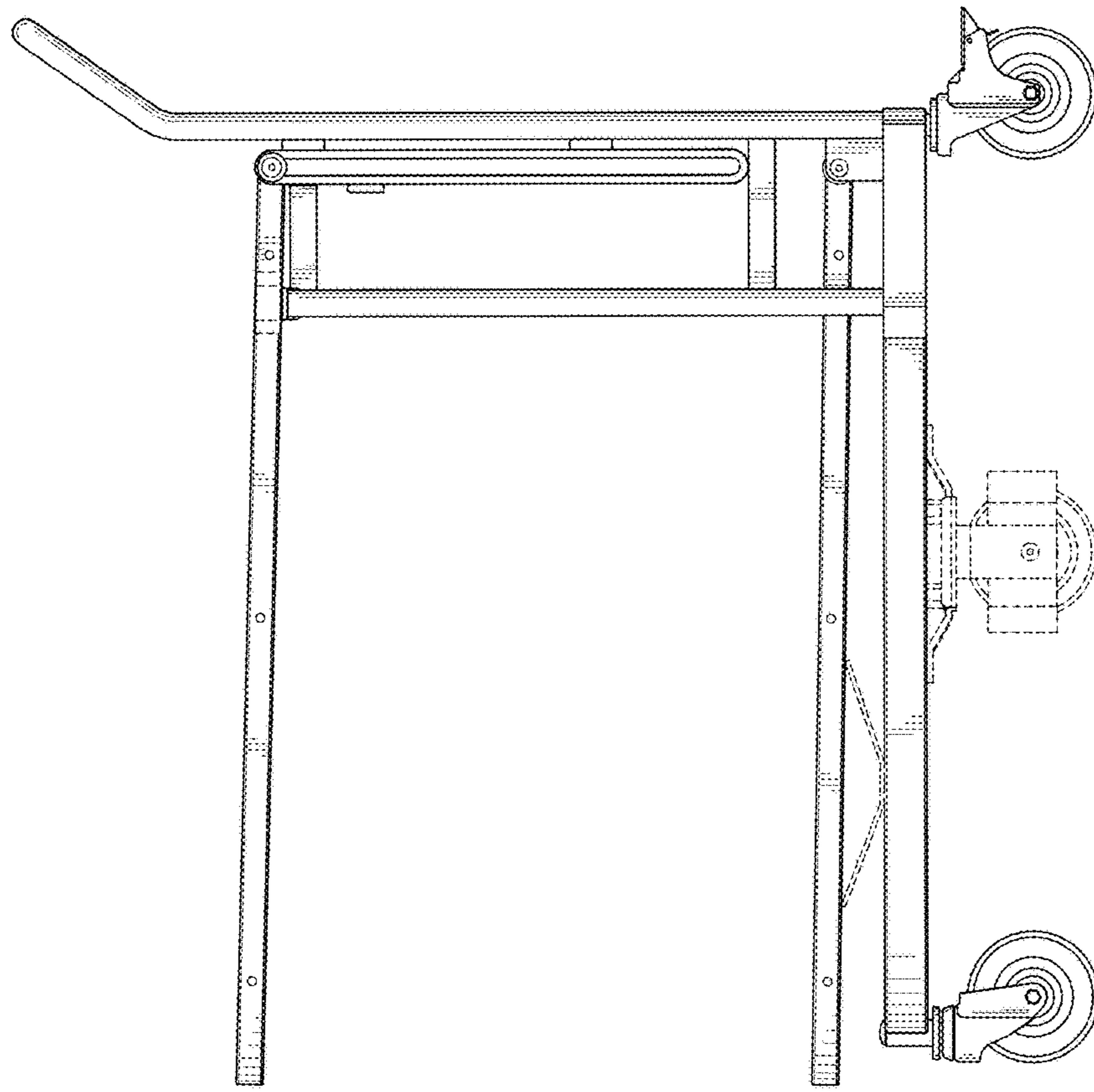


FIG.2

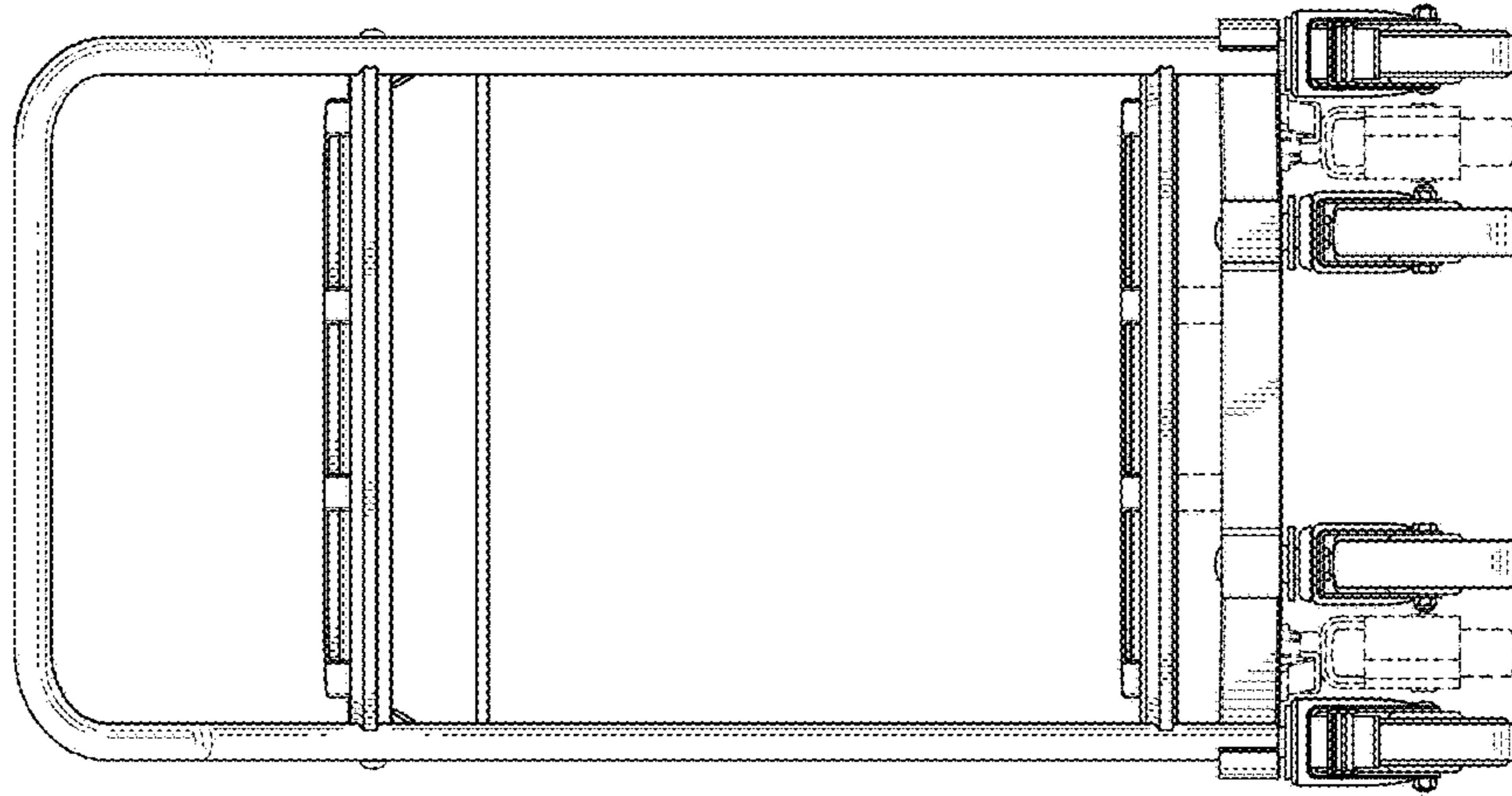


FIG.4

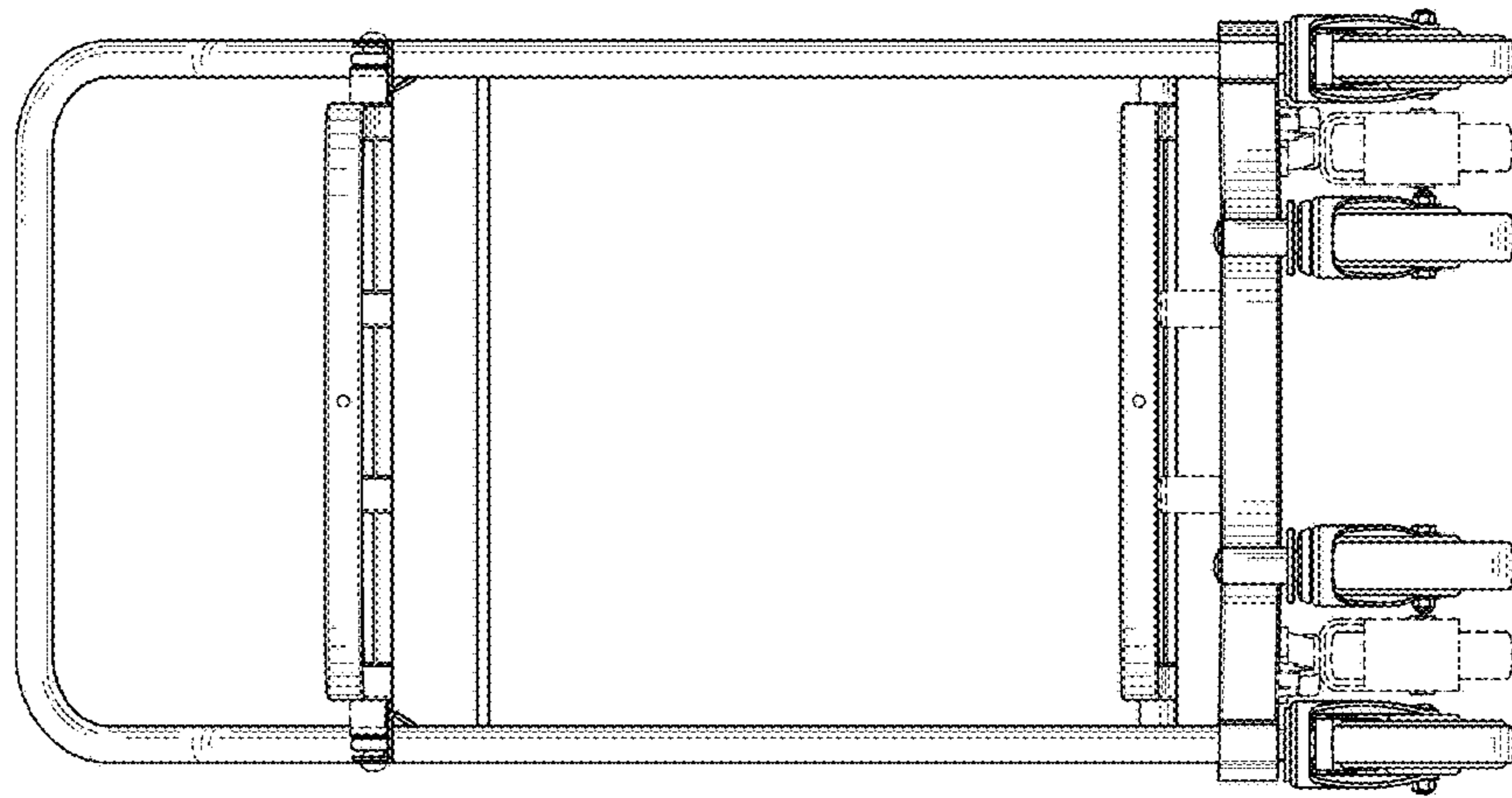


FIG.3

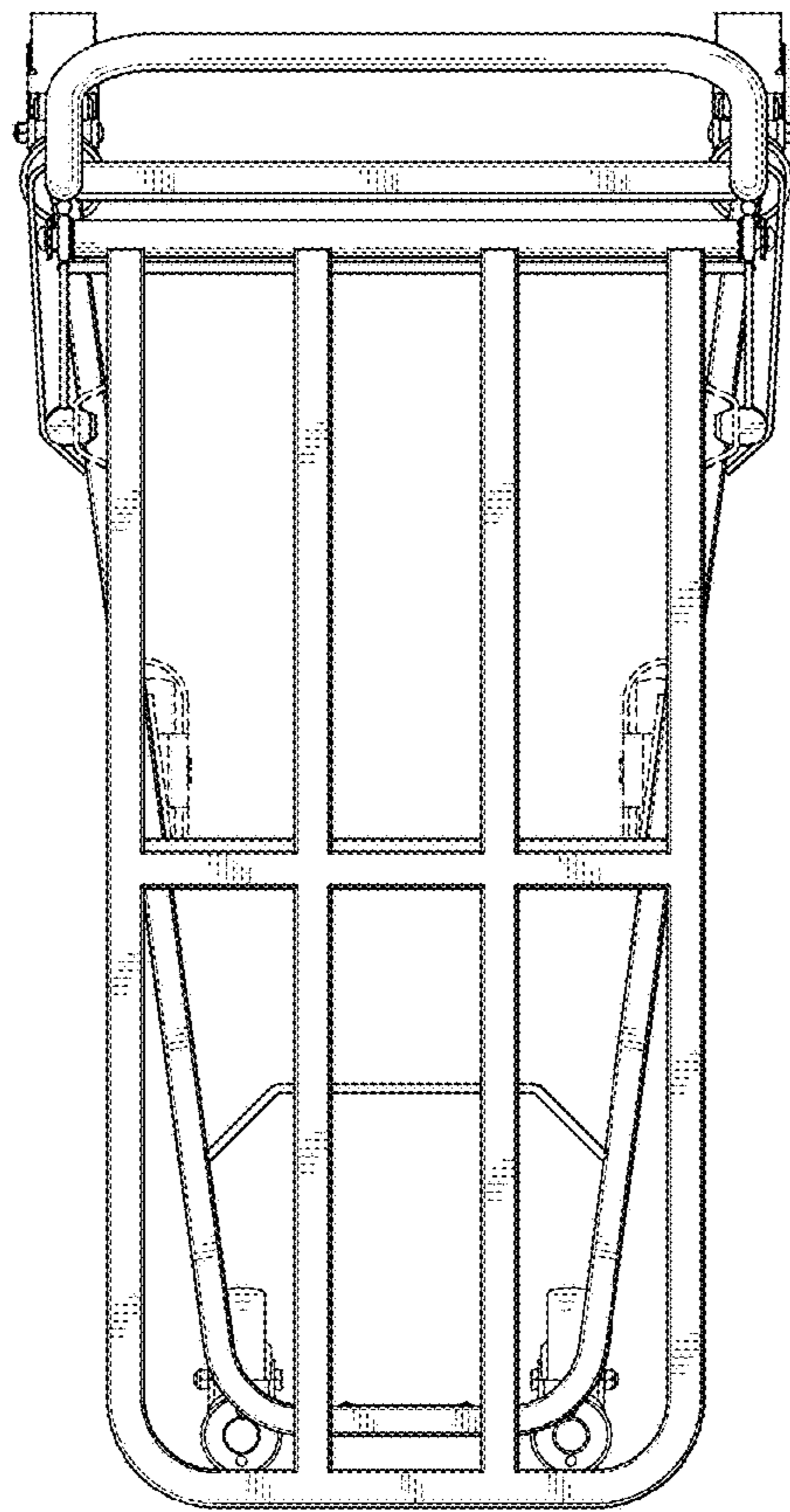


FIG.5

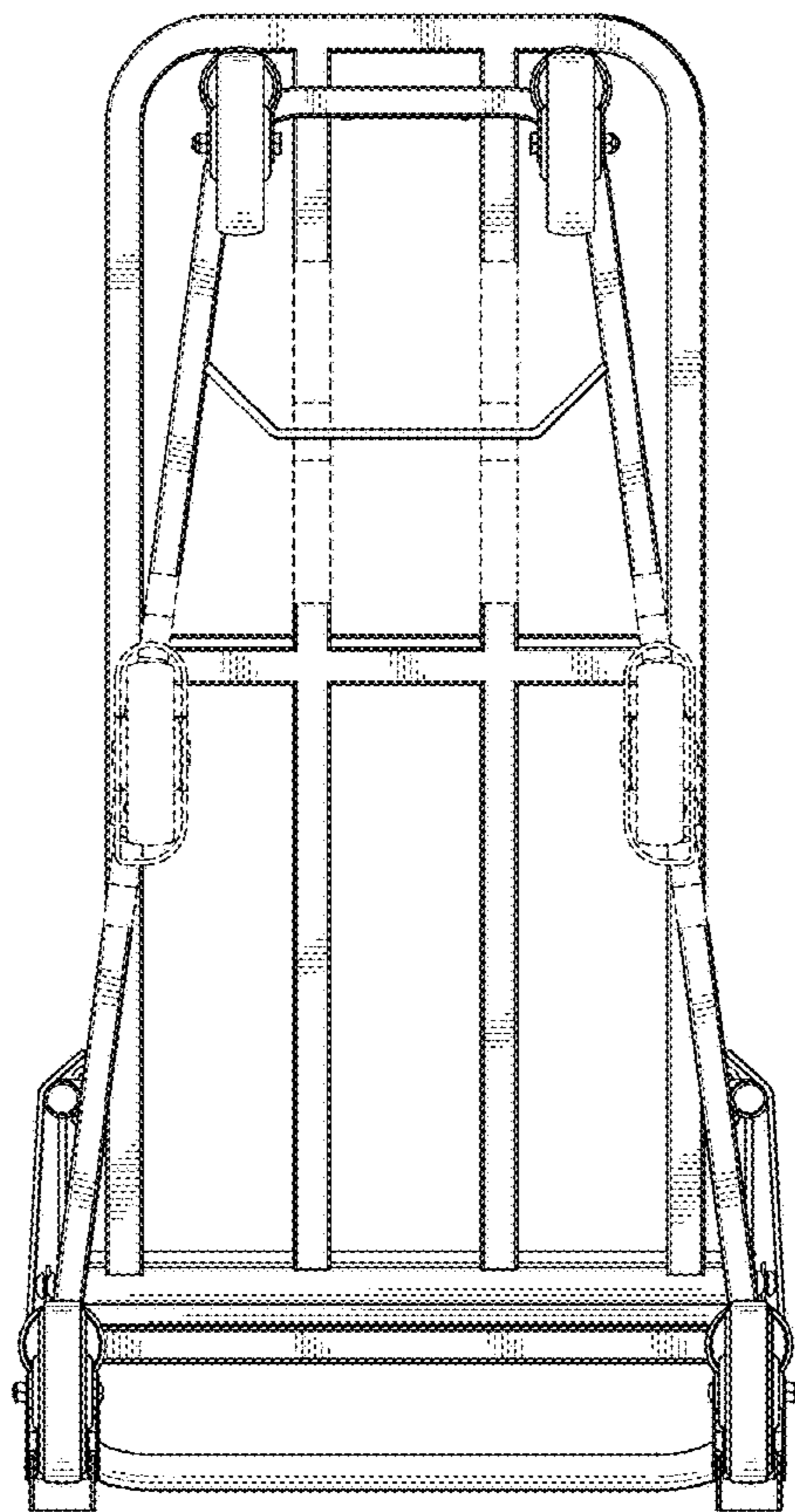


FIG.6

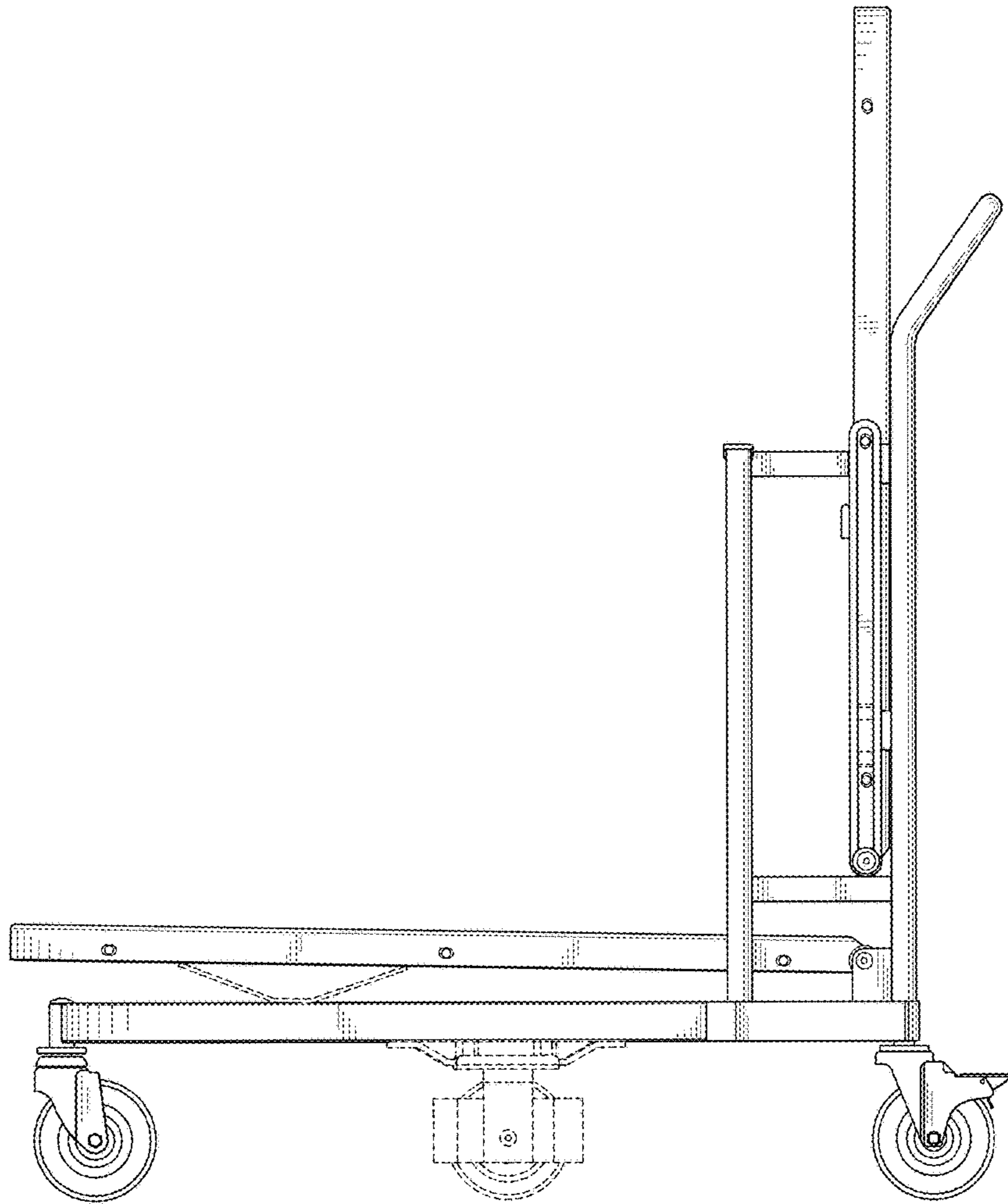


FIG.7



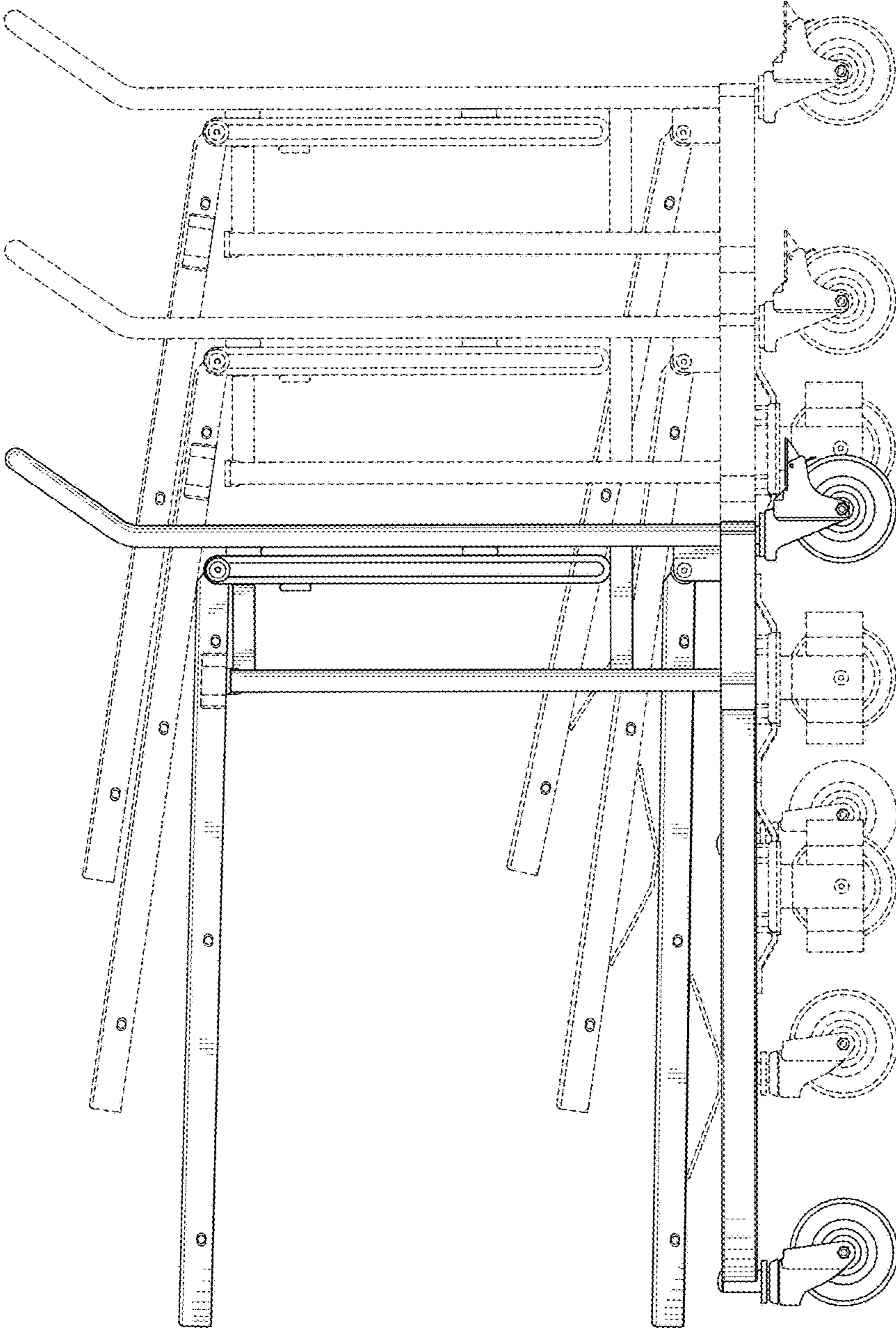


FIG.8