



US00D856619S

(12) **United States Design Patent** (10) **Patent No.:** **US D856,619 S**
Mitford (45) **Date of Patent:** **** Aug. 13, 2019**

(54) **PAINT TRAY** D785,889 S * 5/2017 Arvinte D32/54
D792,755 S * 7/2017 Adams B44D 3/126
D32/53

(71) Applicant: **Robert John Charles Mitford**, Deal
(GB)

2003/0146225 A1 8/2003 Rojas
2006/0226156 A1 10/2006 Lundy

(72) Inventor: **Robert John Charles Mitford**, Deal
(GB)

FOREIGN PATENT DOCUMENTS

WO 2016151309 9/2016

(**) Term: **15 Years**

(21) Appl. No.: **29/642,239**

OTHER PUBLICATIONS

(22) Filed: **Mar. 28, 2018**

International Search Report and Written Opinion dated Aug. 26, 2016, from European Patent Office PCT Application No. PCT/GB2016/050786.

(51) **LOC (12) Cl.** **07-07**

(52) **U.S. Cl.**
USPC **D32/53.1**

* cited by examiner

(58) **Field of Classification Search**
USPC D32/53, 53.1, 54
CPC B44D 3/12; B44D 3/123; B44D 3/125;
B44D 3/126; B44D 3/128; A47B 17/00;
A47L 13/50; A47J 47/18

Primary Examiner — Robin V Webster
(74) *Attorney, Agent, or Firm* — Keusey & Associates, P.C.

See application file for complete search history.

(57) **CLAIM**

(56) **References Cited**

I claim the ornamental design for a paint tray, as shown and described.

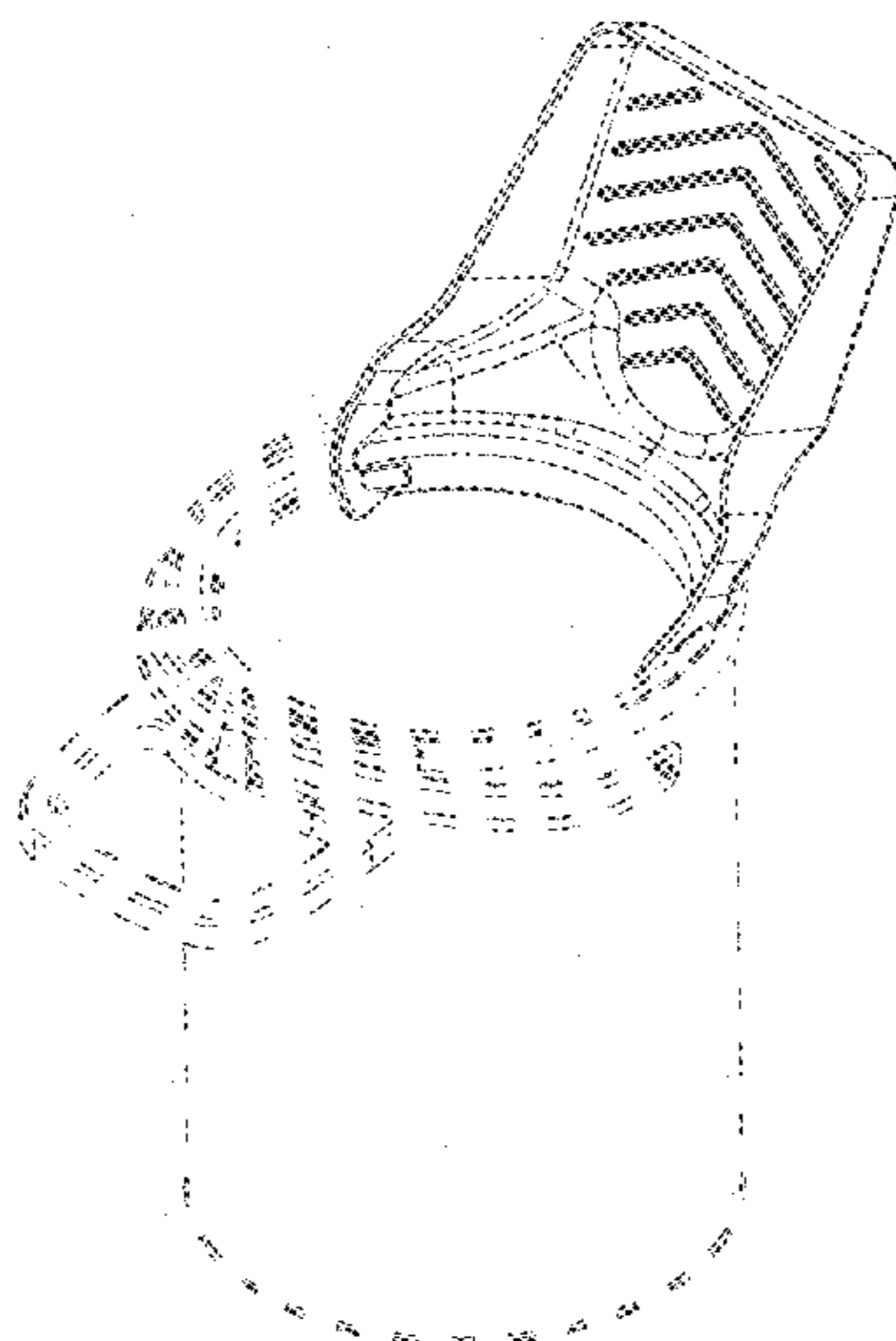
U.S. PATENT DOCUMENTS

DESCRIPTION

- 3,351,970 A * 11/1967 Engh B44D 3/126
15/257.06
- 3,688,943 A 9/1972 Brown
- 3,940,824 A * 3/1976 Gioia B44D 3/126
15/257.06
- 4,203,537 A 5/1980 McAlister
- 4,240,568 A 12/1980 Pool
- 4,312,459 A 1/1982 Leach
- 4,660,245 A * 4/1987 Anderson A46B 17/06
15/268
- 5,404,611 A * 4/1995 Raney B44D 3/123
15/257.06
- D524,003 S * 6/2006 Prokop D32/53.1
- D535,794 S * 1/2007 Lundy D32/53.1
- D582,118 S * 12/2008 Chafe D32/54
- 8,918,949 B2 * 12/2014 Petersen B44D 3/126
15/257.05
- D772,513 S 11/2016 Mitford

FIG. 1 is a top, front, left side perspective view of a paint tray assembled on a paint can.
FIG. 2 is a top plan view thereof.
FIG. 3 is a left side elevational view, the right side elevational view being a mirror image thereof.
FIG. 4 is a front side elevational view thereof.
FIG. 5 is a top, front, left side perspective view thereof; and, FIG. 6 is a bottom plan view thereof.
The dotted line representations of a paint container in FIG. 1 is included to show environmental structure and form no part of the claimed design.

1 Claim, 6 Drawing Sheets



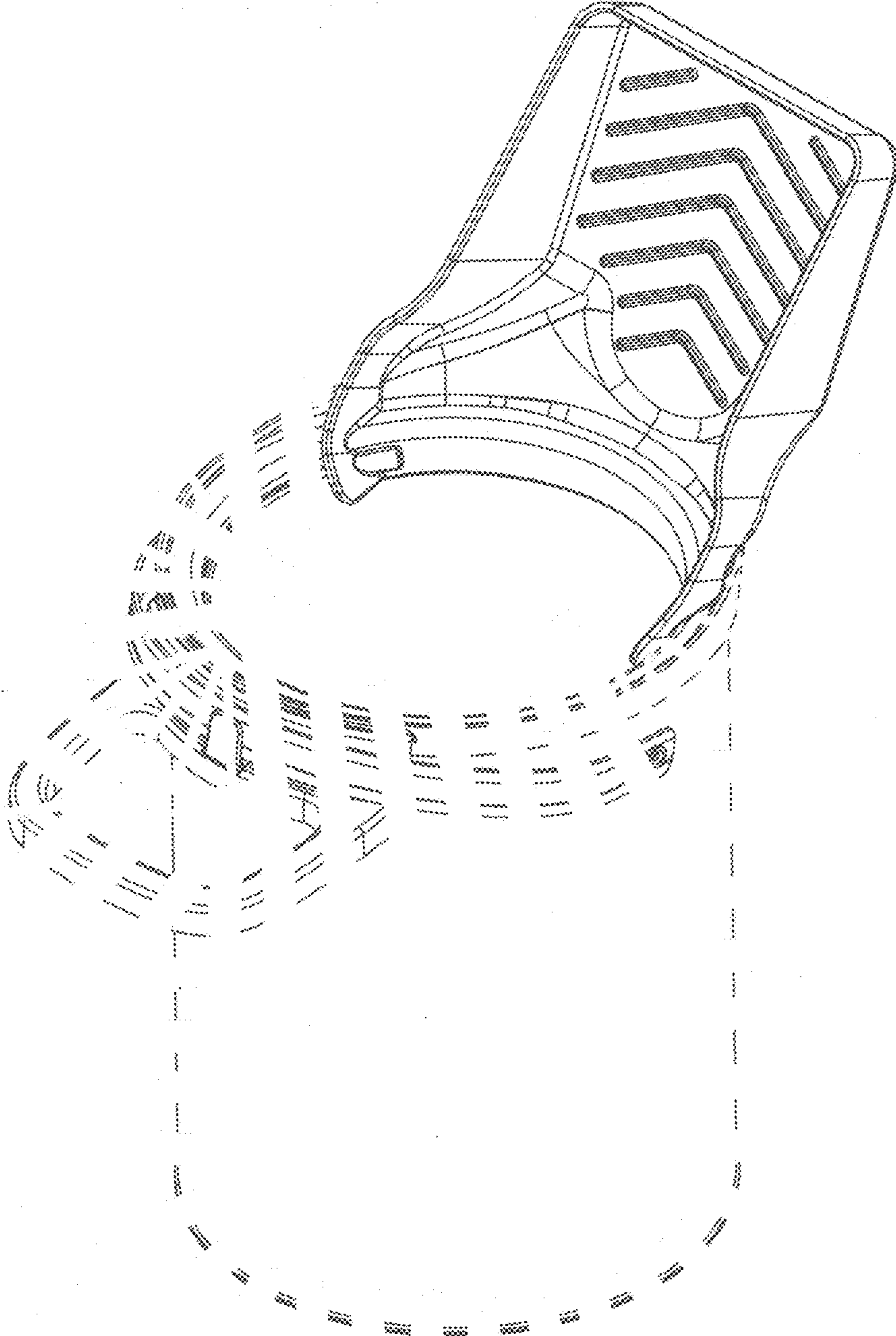


FIG. 1

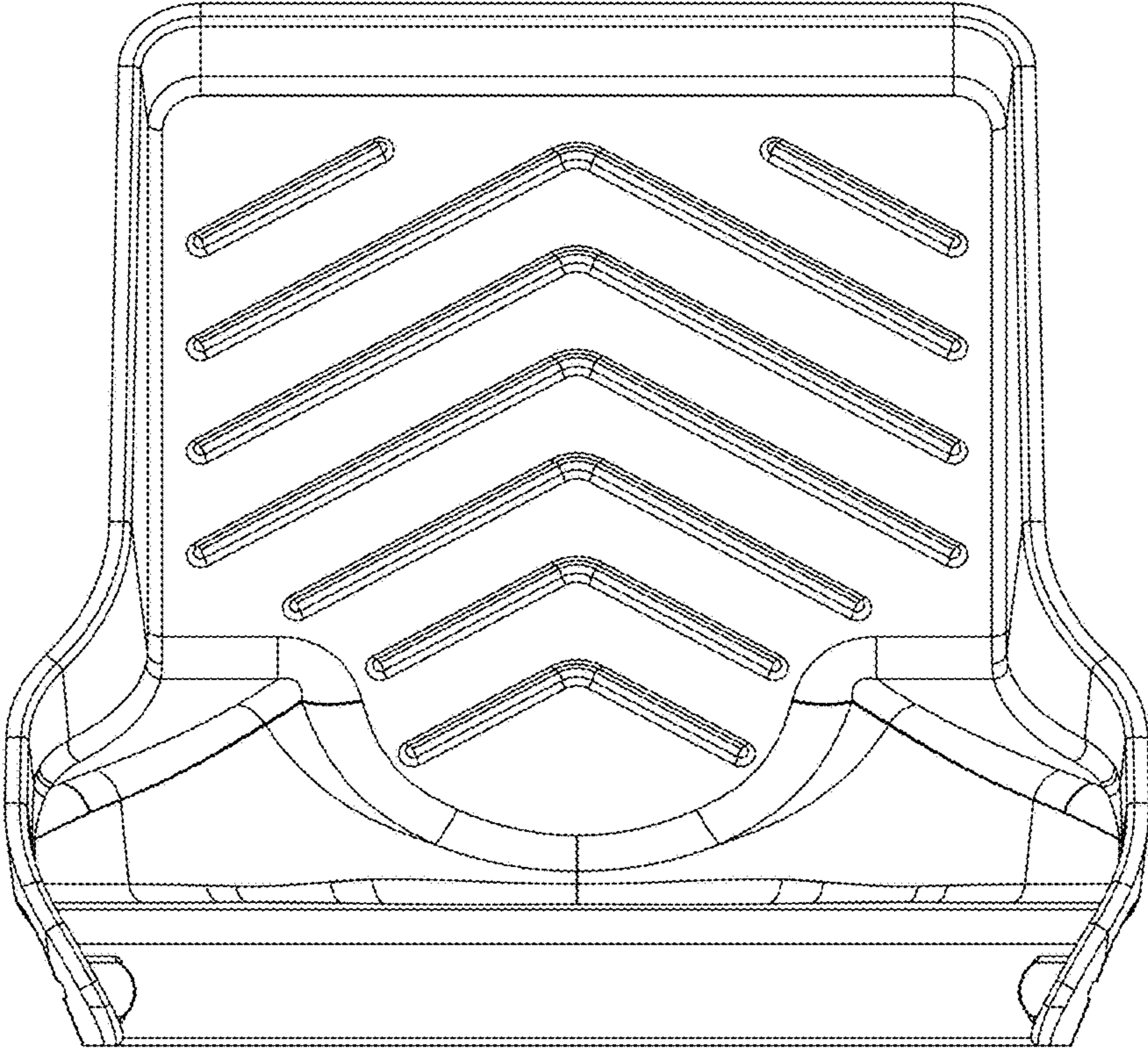


FIG. 2

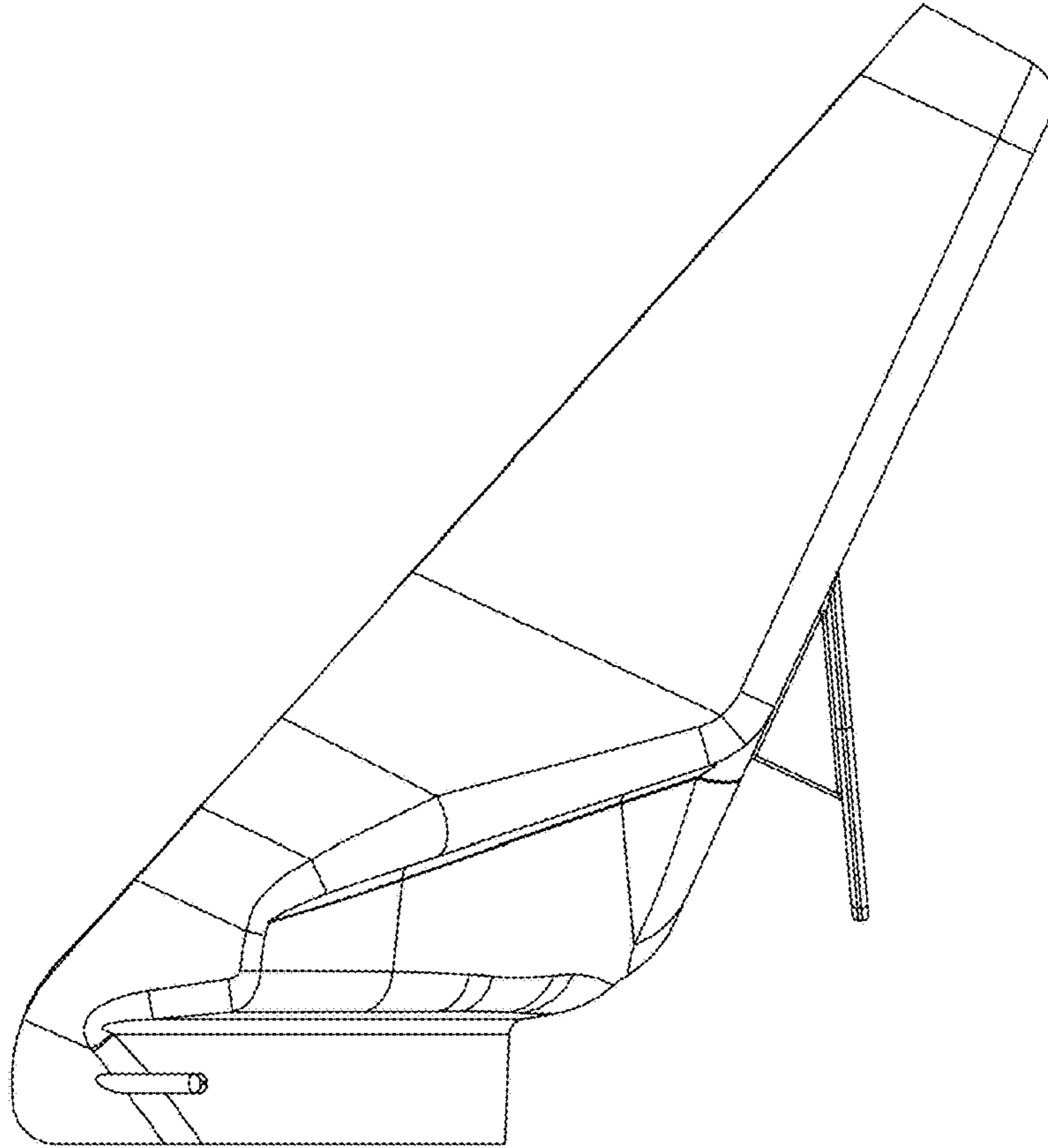


FIG. 3

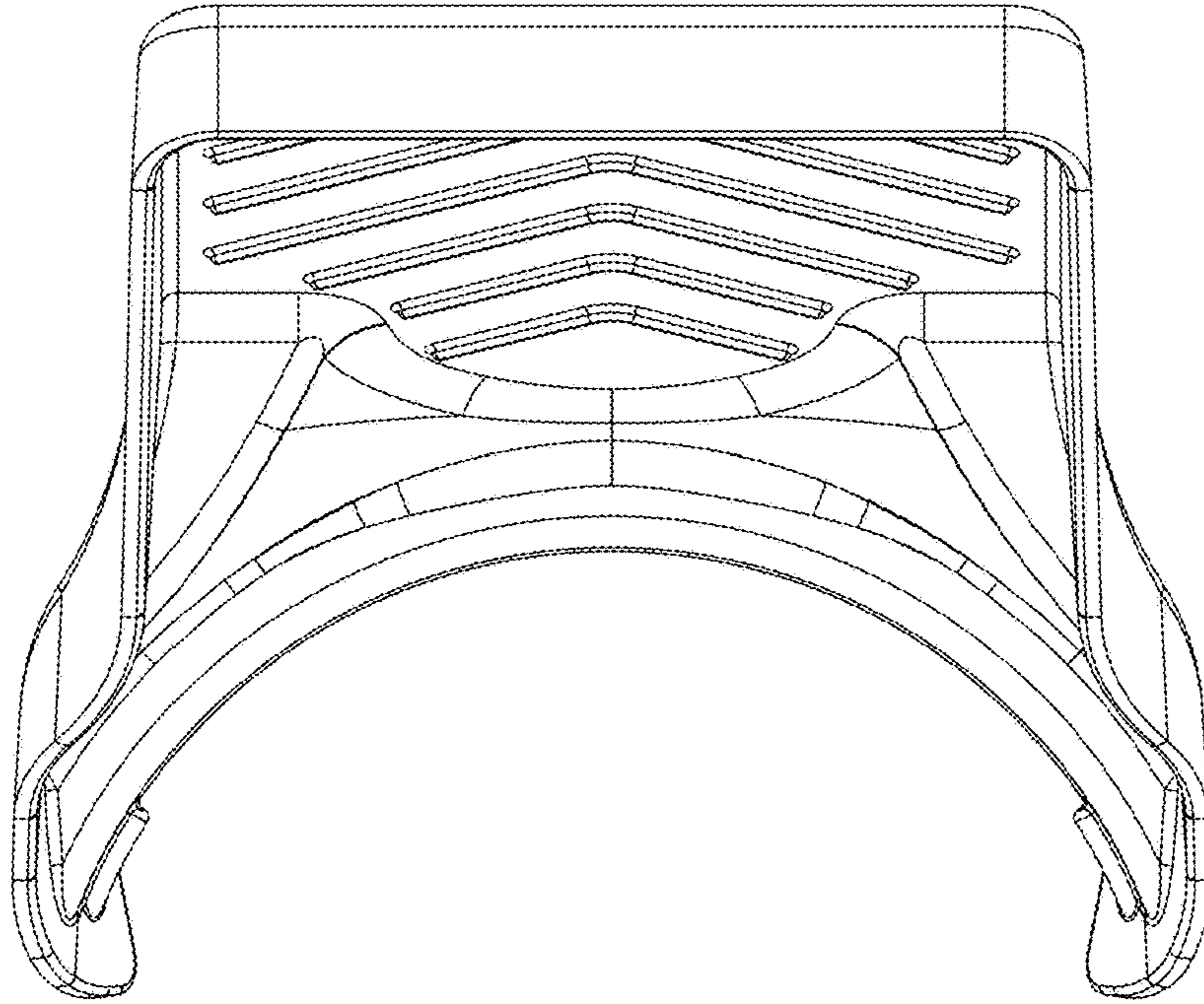


FIG. 4

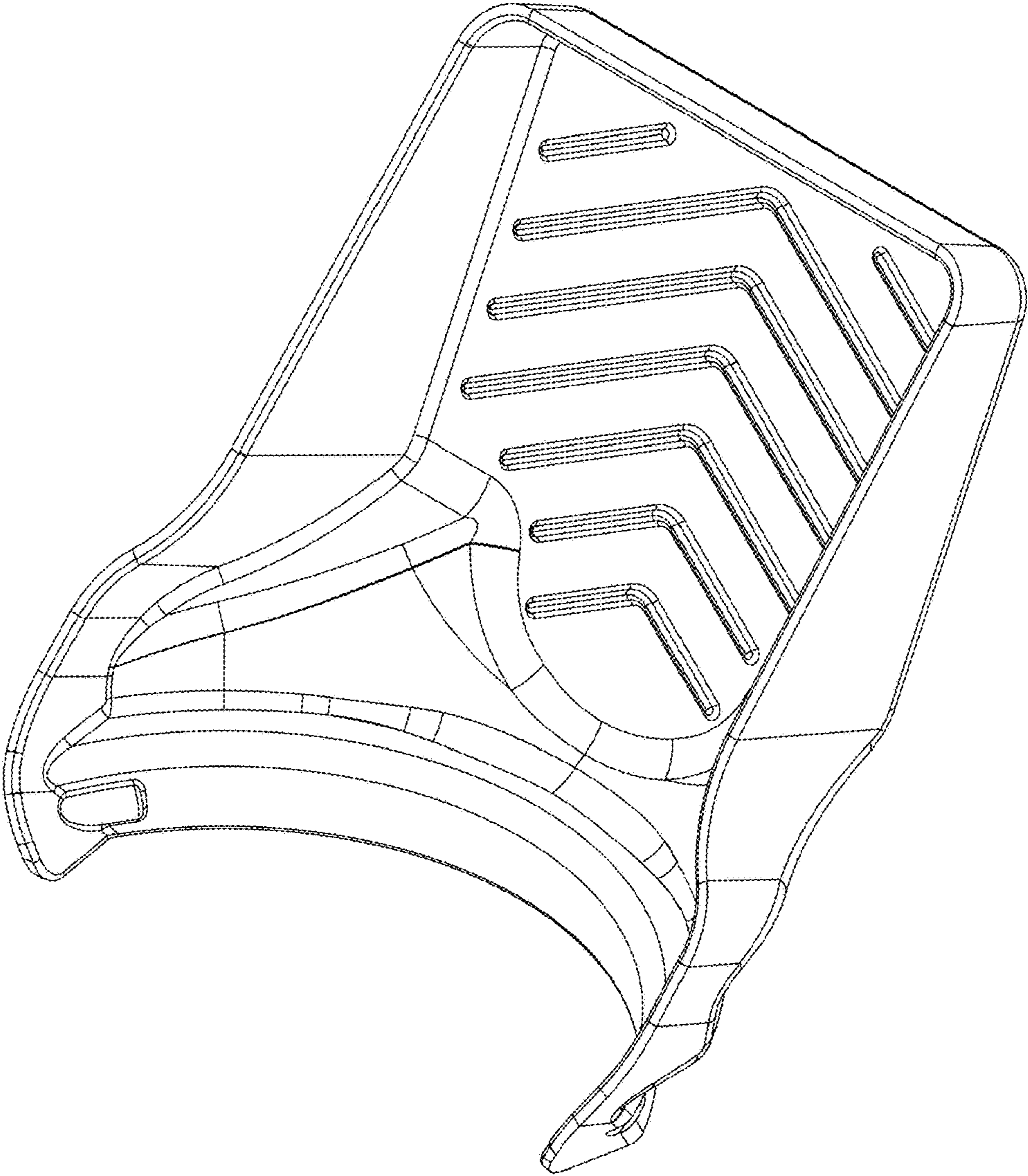


FIG. 5

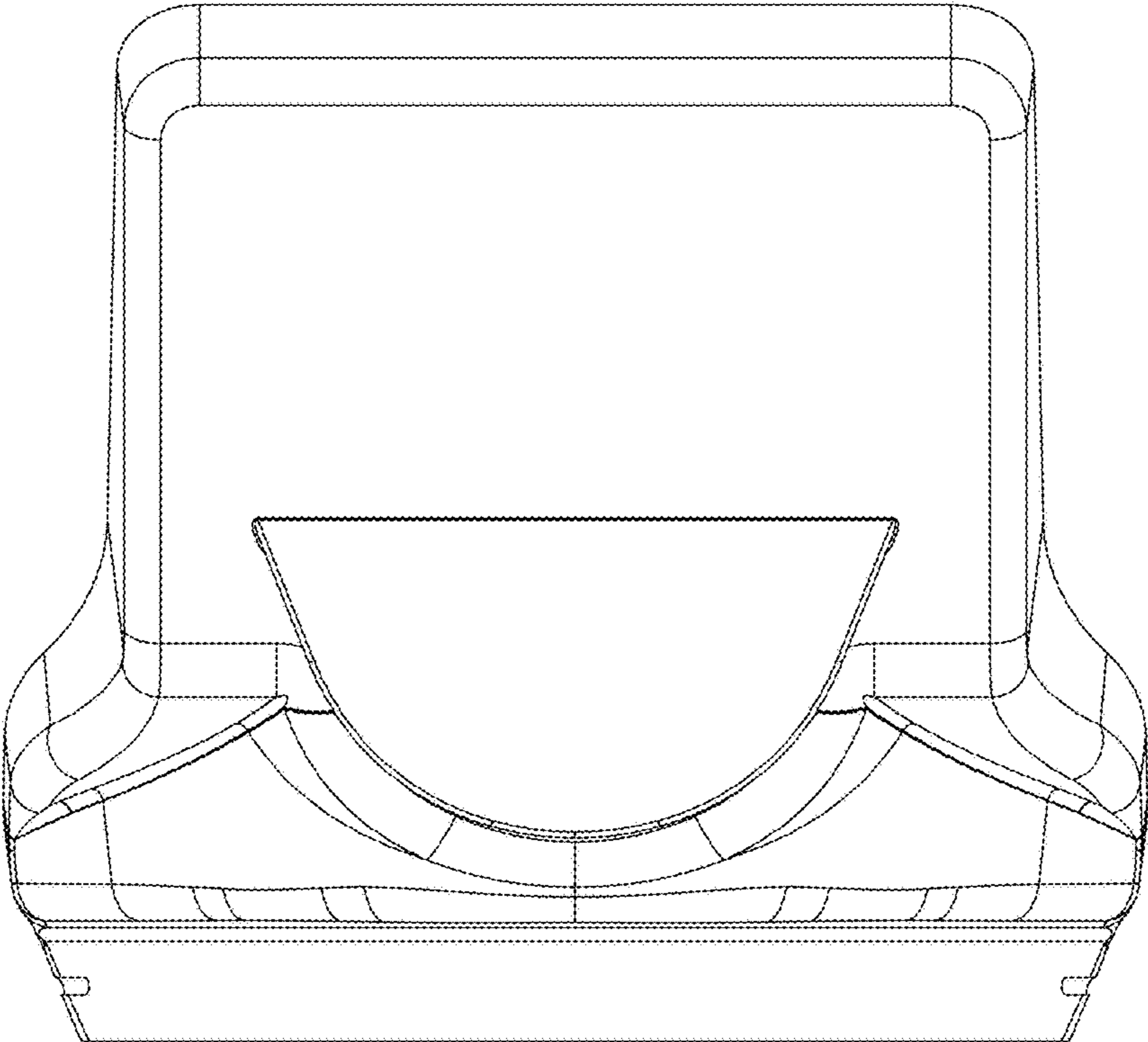


FIG. 6