



US00D856618S

(12) **United States Design Patent**
Liu et al.

(10) **Patent No.:** **US D856,618 S**
(45) **Date of Patent:** **** Aug. 13, 2019**

- (54) **GLASS CLEANER**
- (71) Applicant: **Huizhou Duran Creative Technology Co., Ltd.**, Huizhou, Guangdong (CN)
- (72) Inventors: **Qiuping Liu**, Guangdong (CN); **Juan Jose Duran Lopez**, Guangdong (CN)
- (73) Assignee: **Huizhou Duran Creative Technology Co., Ltd.**, Huizhou, Guangdong (CN)

(**) Term: **15 Years**

(21) Appl. No.: **29/633,716**

(22) Filed: **Jan. 15, 2018**

(30) **Foreign Application Priority Data**

Aug. 18, 2017 (CN) 2017 3 0383715

(51) **LOC (12) Cl.** **07-05**

(52) **U.S. Cl.**
USPC **D32/46**

(58) **Field of Classification Search**
USPC D32/40-43, 46; D8/45; D18/56
CPC A47L 13/12; A47L 13/34; A47L 13/10;
A46B 7/00; A46B 5/00
See application file for complete search history.

(56) **References Cited**

U.S. PATENT DOCUMENTS

- 1,984,154 A * 12/1934 Pilato A47L 1/06
15/150
- 2,103,198 A * 12/1937 Siemund A47L 1/06
15/245
- 2,677,840 A * 5/1954 Morton A46B 3/18
15/160
- 4,611,363 A * 9/1986 Samuelsson A47L 1/06
15/245
- D296,946 S * 7/1988 Stirling D32/41
- D313,295 S * 12/1990 Maertens D32/42
- D328,373 S * 7/1992 Murray D30/162
- D350,424 S * 9/1994 Elliott 15/210.1

- 6,237,225 B1 * 5/2001 Tarrant B26B 5/005
15/236.01
- D506,070 S * 6/2005 Rauschenberger D32/41
- D515,262 S * 2/2006 Hay D32/41
- D517,758 S * 3/2006 Hay D32/41
- D520,203 S * 5/2006 Hardy D32/41
- D539,496 S * 3/2007 Sickler D32/41
- D547,512 S * 7/2007 Hay D32/42
- D569,566 S * 5/2008 Pfitzinger D32/46
- D572,873 S * 7/2008 Hoadley D32/52
- D590,114 S * 4/2009 Li D32/40
- D672,106 S * 12/2012 Lee D32/49

(Continued)

FOREIGN PATENT DOCUMENTS

GB 1058666 * 10/1989

OTHER PUBLICATIONS

Glass Cleaning Wiper, YouPict.com website 2016, <http://yourpict.com/editor/>, site visited Feb. 24, 2019 (Year: 2016).*

Primary Examiner — John Windmuller

Assistant Examiner — John R Yeh

(74) *Attorney, Agent, or Firm* — Rankin, Hill & Clark LLP

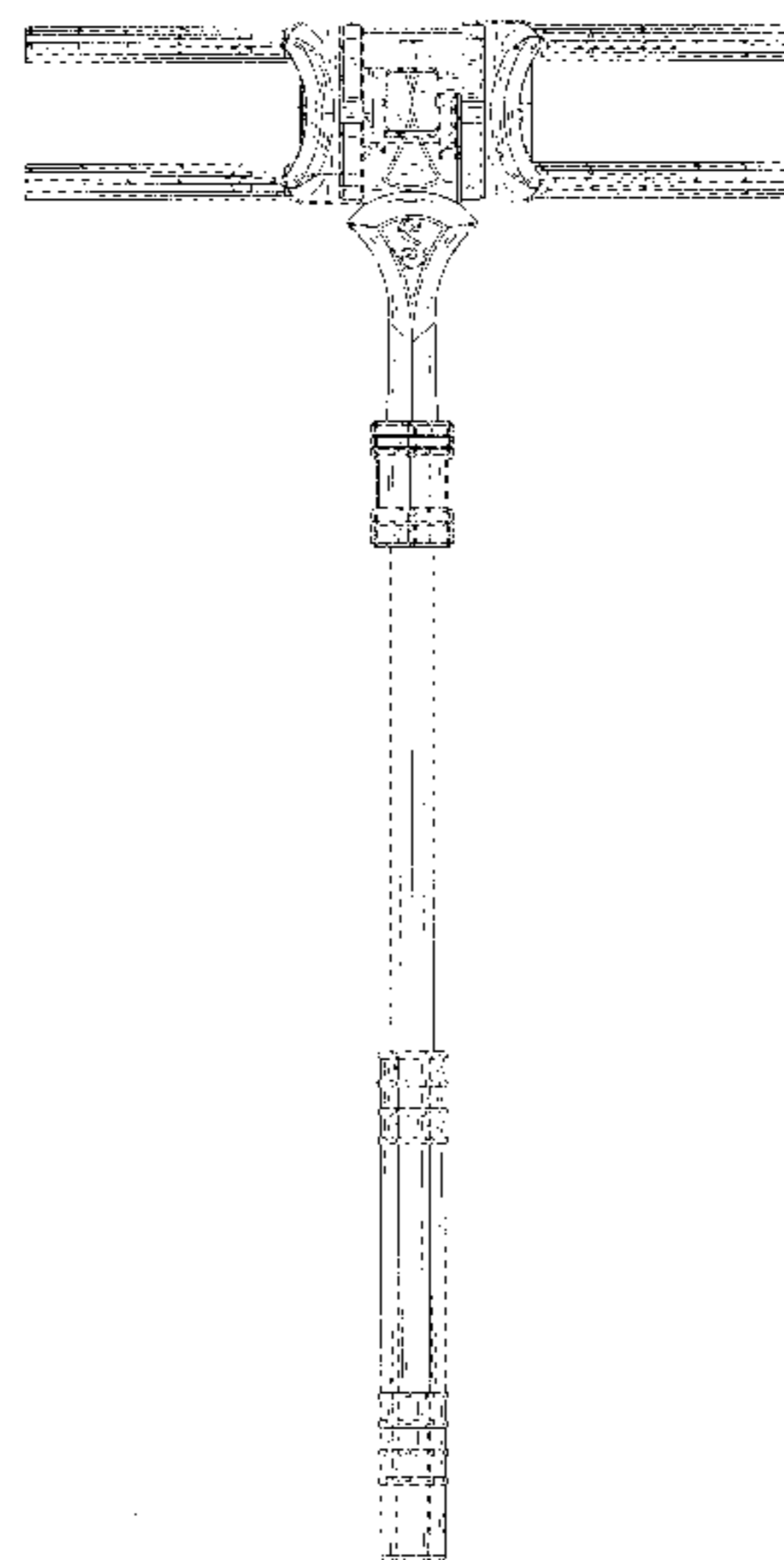
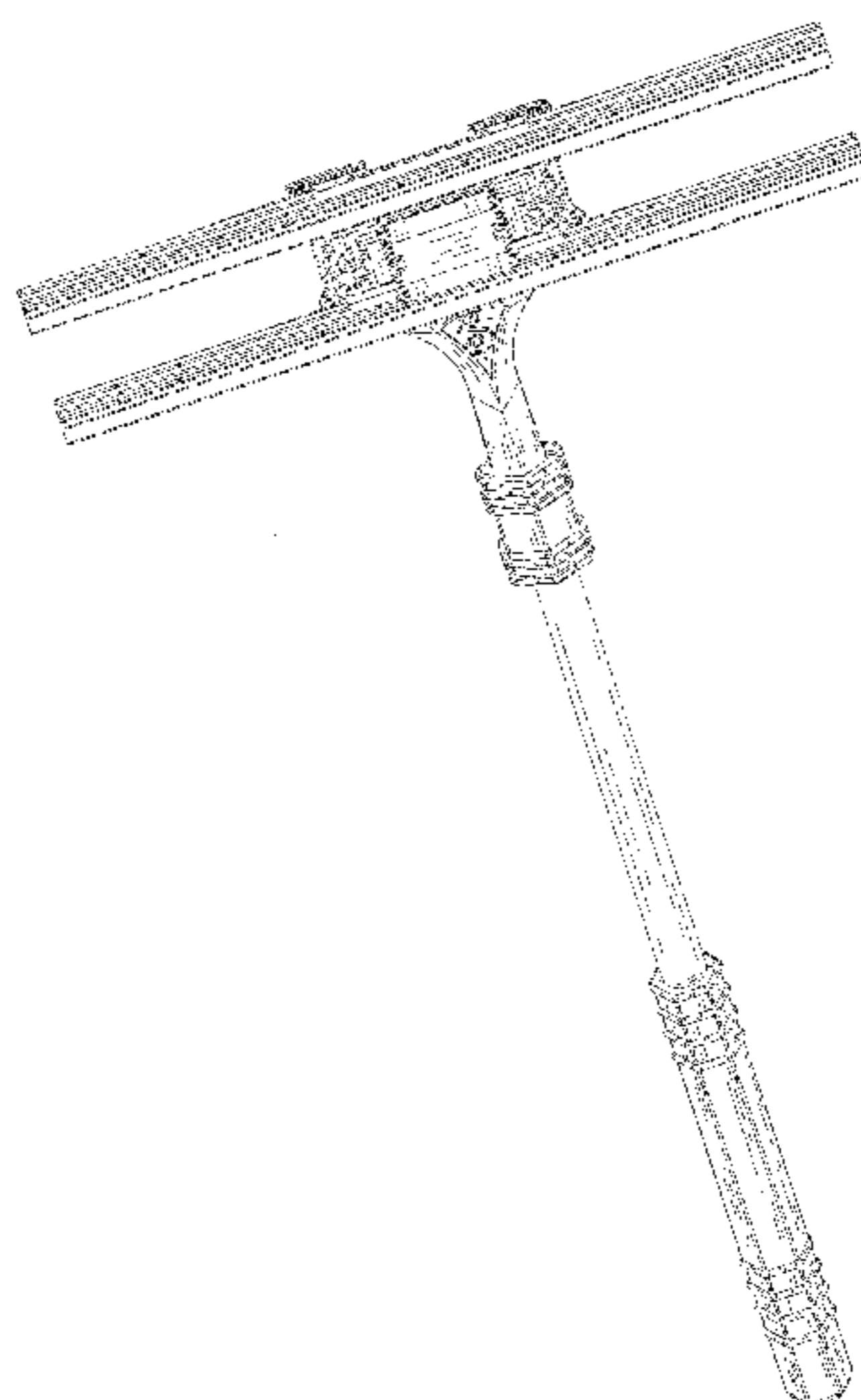
(57) **CLAIM**

The ornamental design for a glass cleaner, as shown and described.

DESCRIPTION

FIG. 1 is a perspective view 1 of a glass cleaner; FIG. 2 is a perspective view 2 of the glass cleaner; FIG. 3 is a front view of the glass cleaner; FIG. 4 is a back view of the glass cleaner; FIG. 5 is a left view of the glass cleaner; FIG. 6 is a right side view of the glass cleaner; FIG. 7 is a top side view of the glass cleaner; and, FIG. 8 is a bottom view of the glass cleaner.

1 Claim, 8 Drawing Sheets



(56)

References Cited

U.S. PATENT DOCUMENTS

| | | | |
|-------------------|---------|----------------|---------------------|
| D773,141 S * | 11/2016 | Chitayat | D32/41 |
| D787,144 S * | 5/2017 | Thompson | D32/41 |
| D824,128 S * | 7/2018 | O'Shea | D32/46 |
| 2006/0010635 A1 * | 1/2006 | Varner | A47L 1/06 15/245 |

* cited by examiner

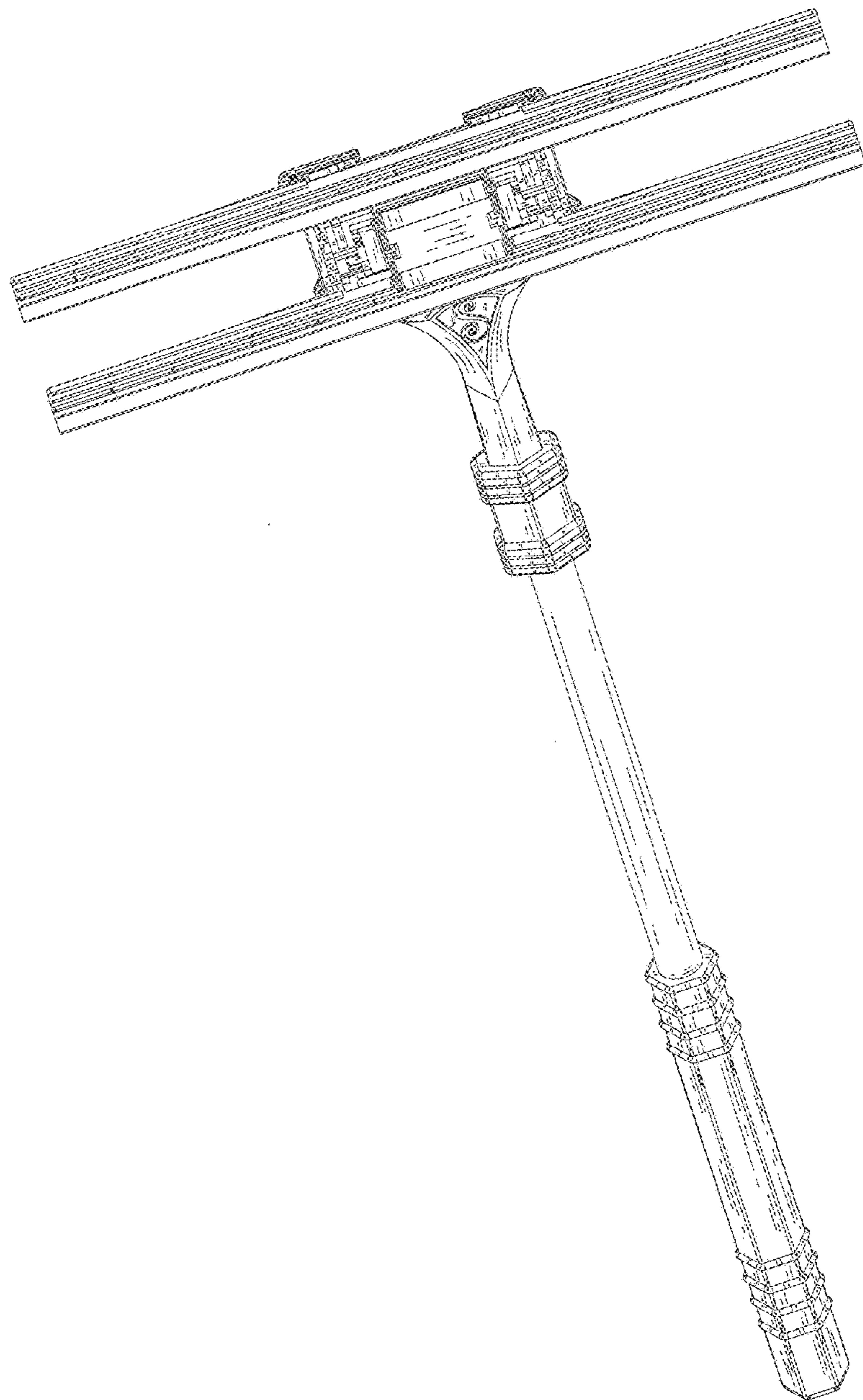


FIG. 1

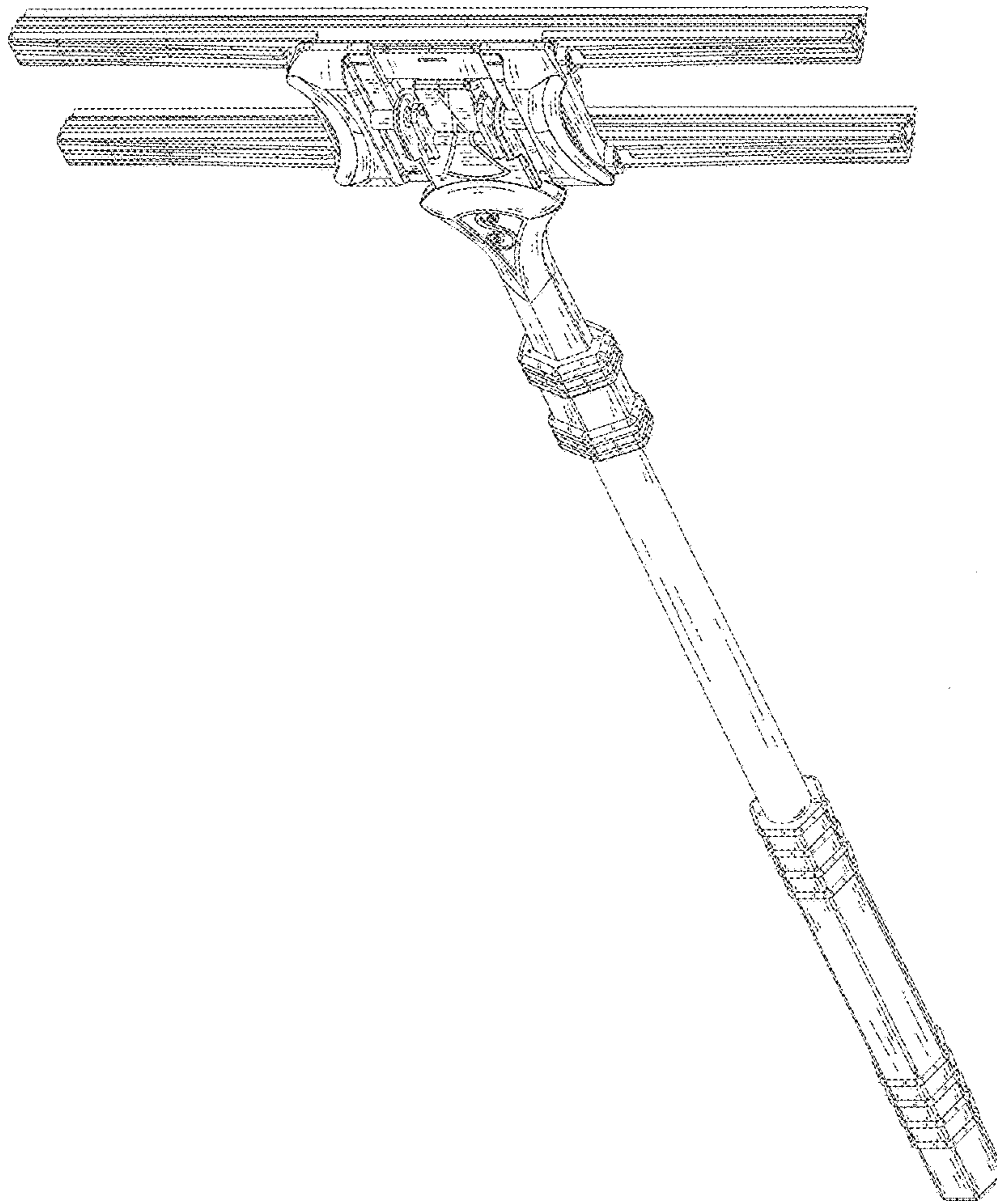


FIG. 2

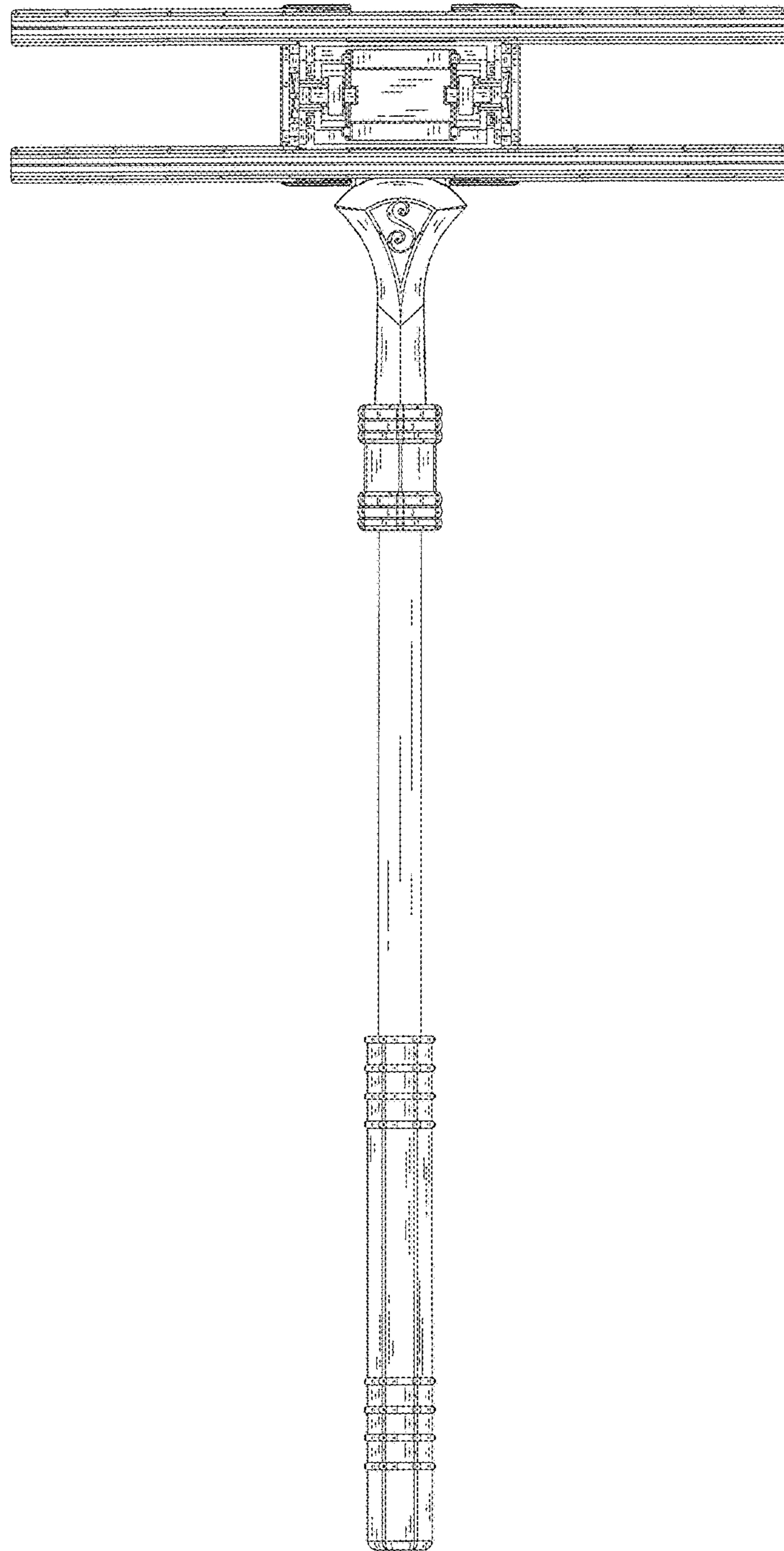


FIG. 3

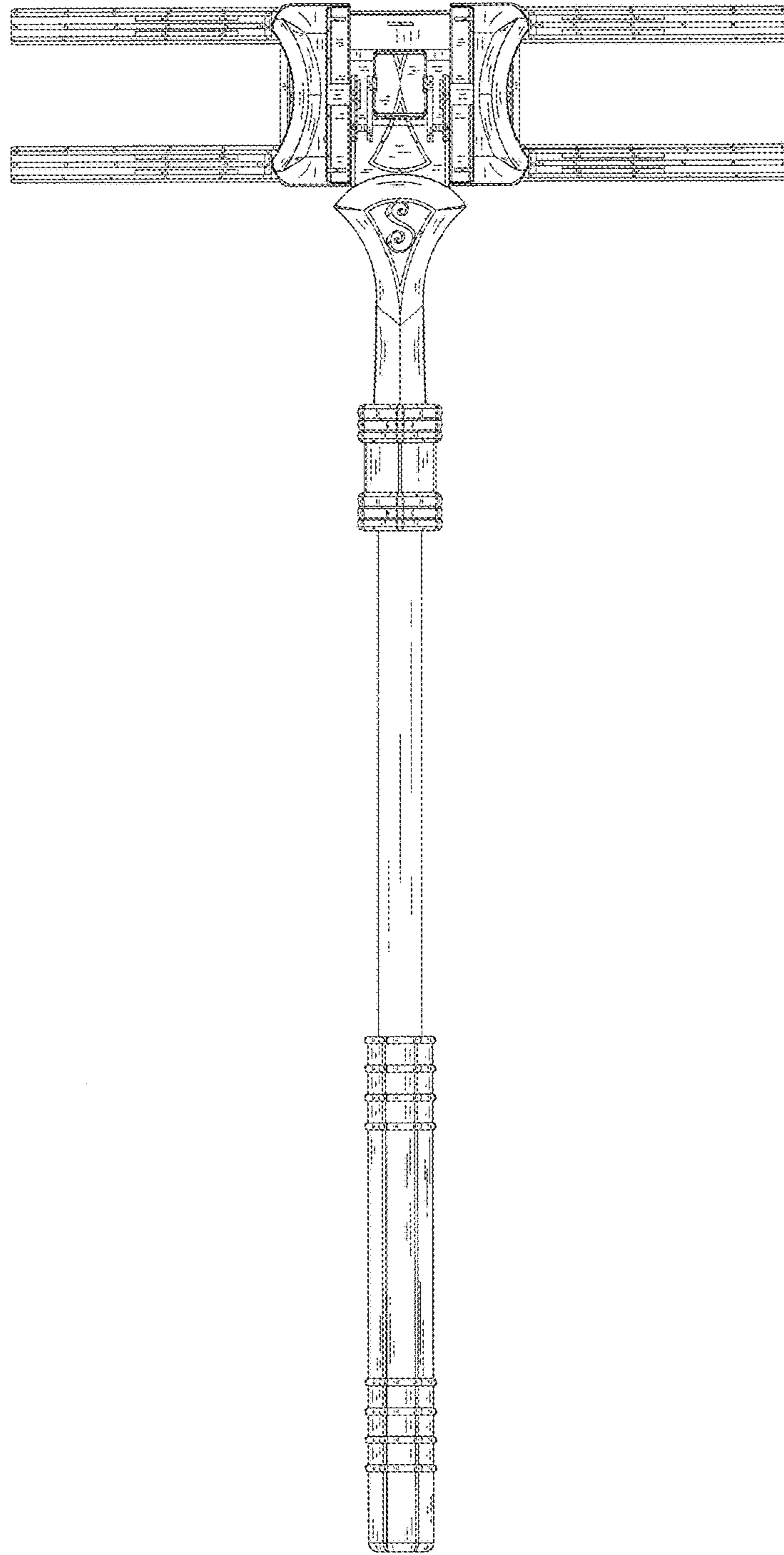


FIG. 4

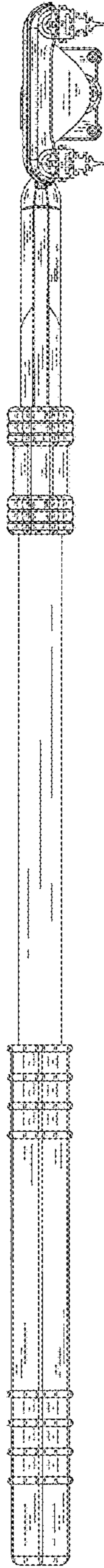


FIG. 5

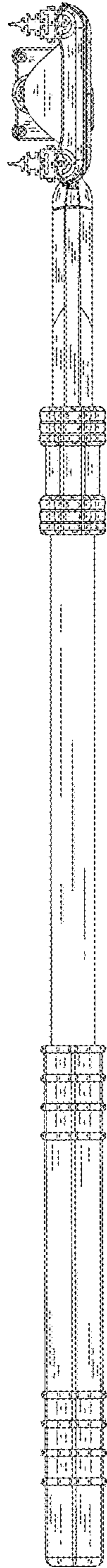


FIG. 6

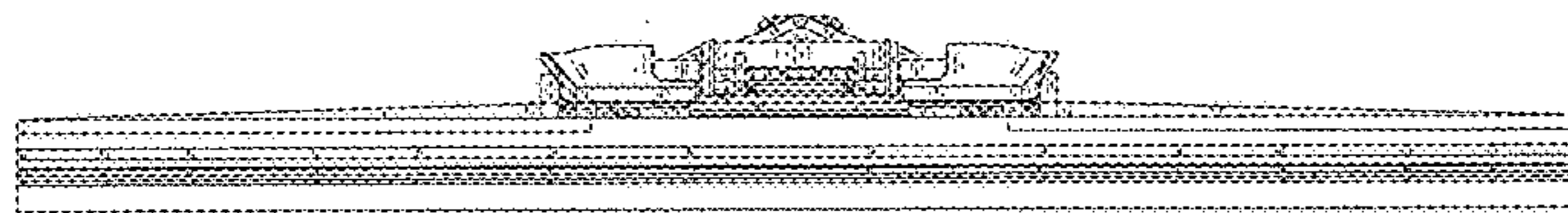


FIG. 7

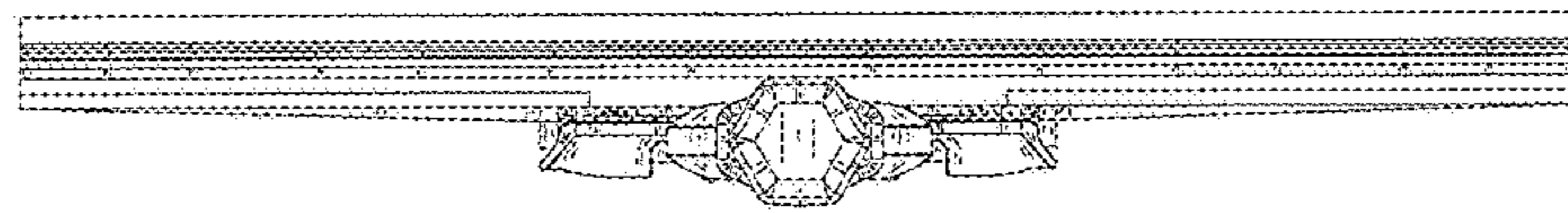


FIG. 8