



US00D856617S

(12) **United States Design Patent**
Li

(10) **Patent No.:** **US D856,617 S**

(45) **Date of Patent:** **** Aug. 13, 2019**

- (54) **LAUNDRY CONTAINER**
- (71) Applicant: **Fujian Shuangyi Bamboo and Wood Development Co., Ltd, Nanping (CN)**
- (72) Inventor: **Zhisheng Li, Nanping (CN)**
- (**) Term: **15 Years**
- (21) Appl. No.: **29/615,528**
- (22) Filed: **Aug. 30, 2017**
- (30) **Foreign Application Priority Data**
Jul. 22, 2017 (CN) 2017 3 0326188
- (51) **LOC (12) Cl.** **09-04**
- (52) **U.S. Cl.**
USPC **D32/37**
- (58) **Field of Classification Search**
USPC D3/304, 307, 308, 309, 312, 314, 315,
D3/328; D32/35, 37; D6/672, 675
CPC . B65D 1/00; B65D 1/38; B65D 11/14; B65D
11/20; D06F 95/002
See application file for complete search history.

- 4,953,815 A * 9/1990 Beymer B65B 67/12
248/97
- D341,687 S * 11/1993 Park D34/5
- 5,667,066 A * 9/1997 Simpson B65B 67/1244
206/278
- D404,861 S * 1/1999 Balensiefer, II D32/37
- 6,014,827 A * 1/2000 Lehrman D06F 57/12
38/104
- 6,019,445 A * 2/2000 Gades D06F 95/002
312/245
- D545,515 S * 6/2007 Clucas D32/37
- 8,910,813 B1 * 12/2014 Barre D06F 95/002
220/23.83
- D732,779 S * 6/2015 Bittle D32/37
- D733,984 S * 7/2015 Tsai D32/37
- D760,980 S * 7/2016 Tsai D32/37
- D762,336 S * 7/2016 Chang D32/37
- D827,964 S * 9/2018 Barre D06F 95/004
D32/58
- D827,965 S * 9/2018 Barre D32/58

* cited by examiner

Primary Examiner — Michelle E. Wilson
(74) *Attorney, Agent, or Firm* — W&K IP

(57) **CLAIM**

The ornamental design for laundry container, as shown and described.

DESCRIPTION

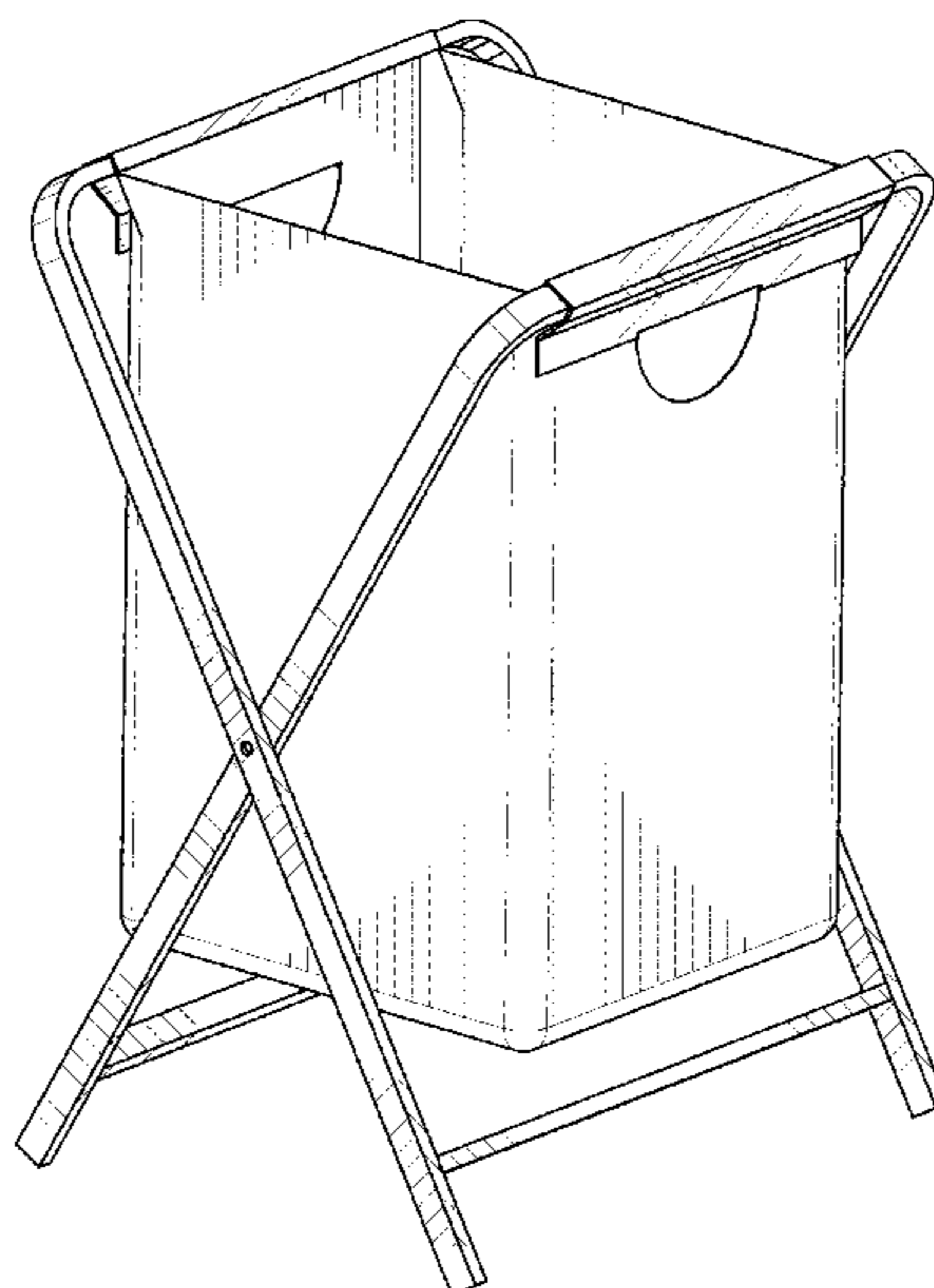
FIG. 1 is a front view showing my design;
FIG. 2 is a left side view showing my design;
FIG. 3 is a right side view showing my design;
FIG. 4 is a top plan view showing my design;
FIG. 5 is a bottom plan view showing my design; and,
FIG. 6 is a perspective view showing my design.

1 Claim, 6 Drawing Sheets

(56) **References Cited**

U.S. PATENT DOCUMENTS

- 2,014,904 A * 9/1935 Martin A45C 7/02
220/9.3
- 2,638,399 A * 5/1953 Seymour D06F 95/004
220/9.3
- 3,286,752 A * 11/1966 Duryee, Jr. A47G 29/06
220/9.3
- D279,038 S * 5/1985 Thompson, Jr. D32/37
- 4,646,802 A * 3/1987 Basore B65B 67/1244
220/495.11



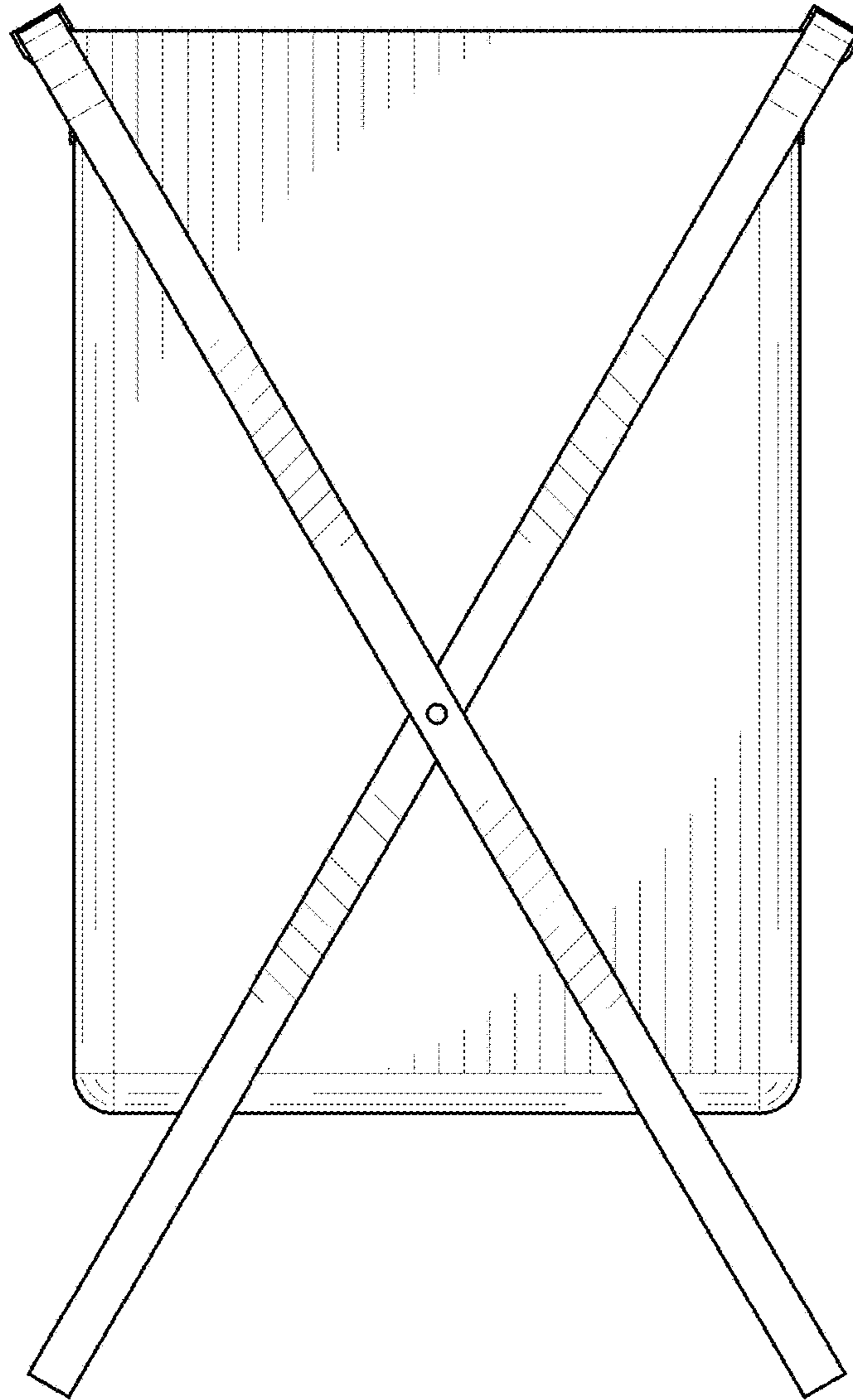


FIG. 1

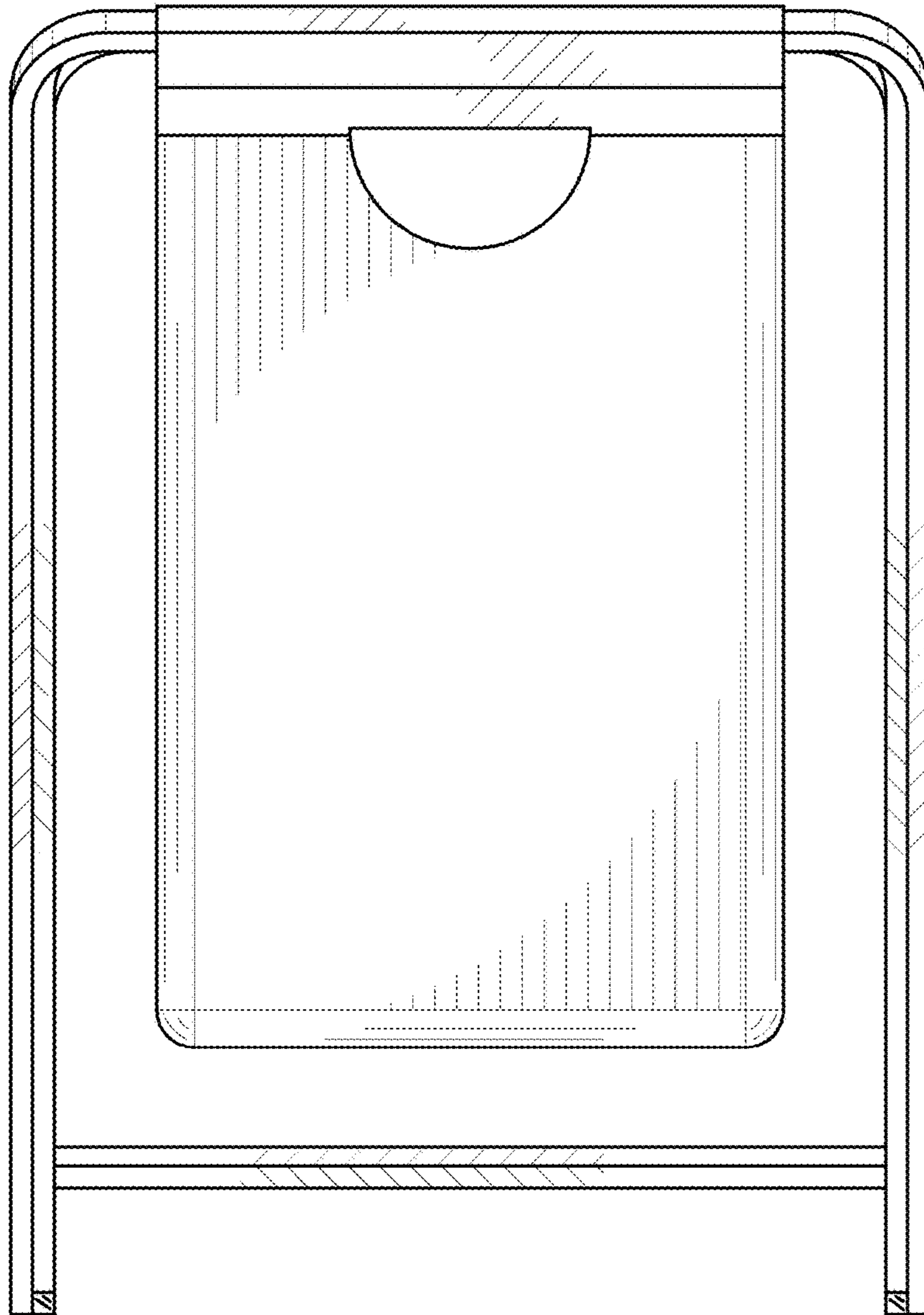


FIG. 2

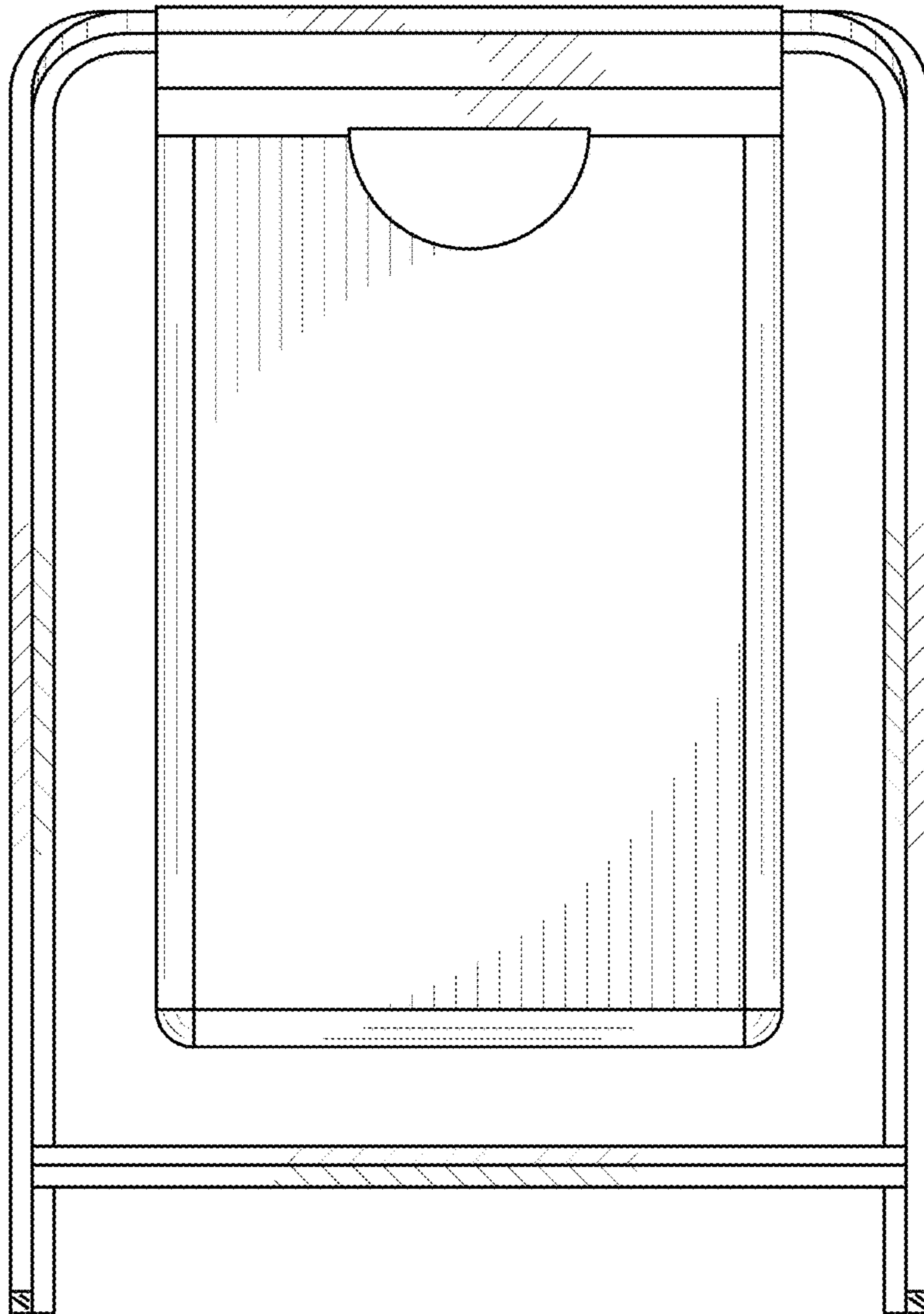


FIG. 3

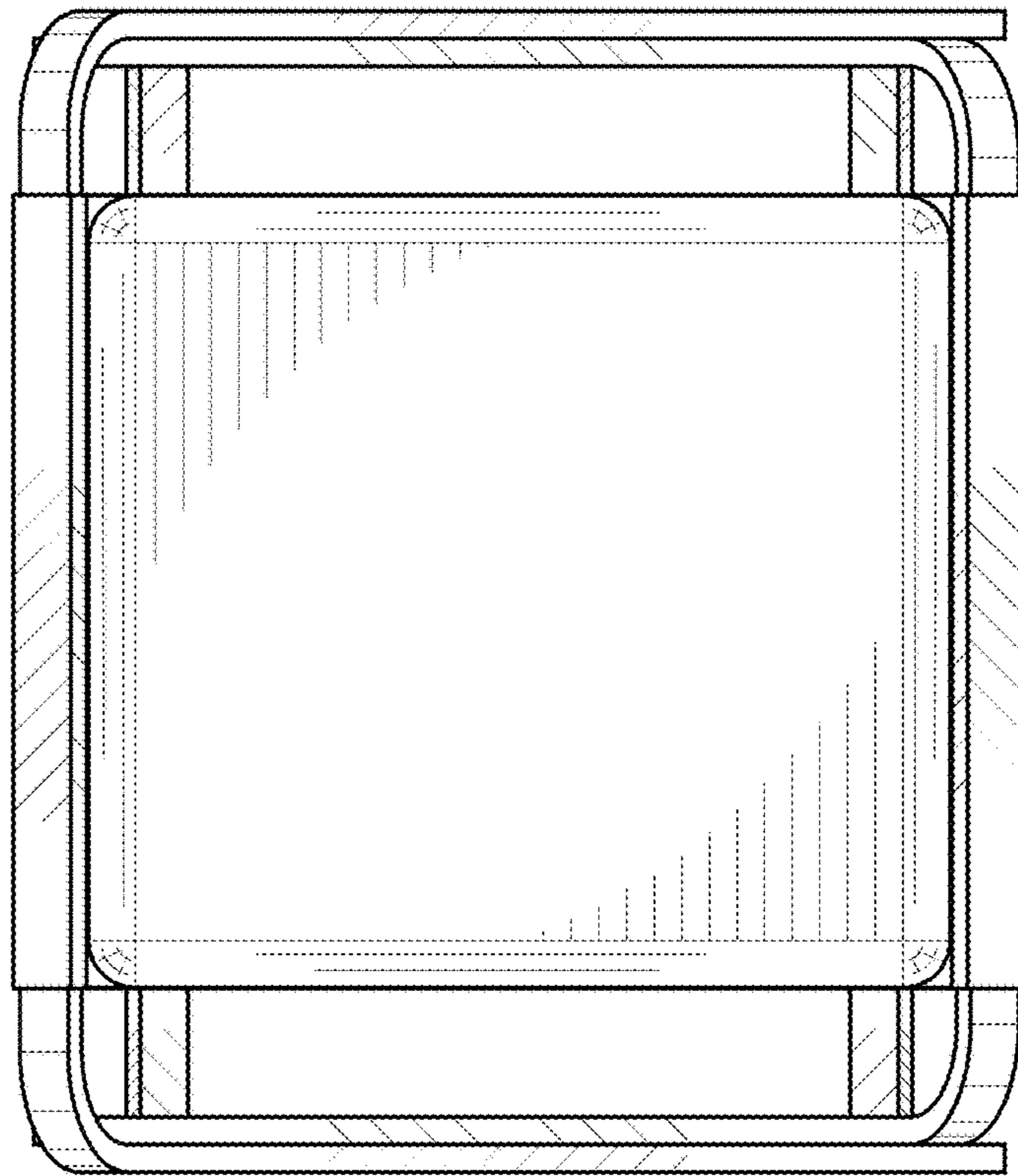


FIG. 4

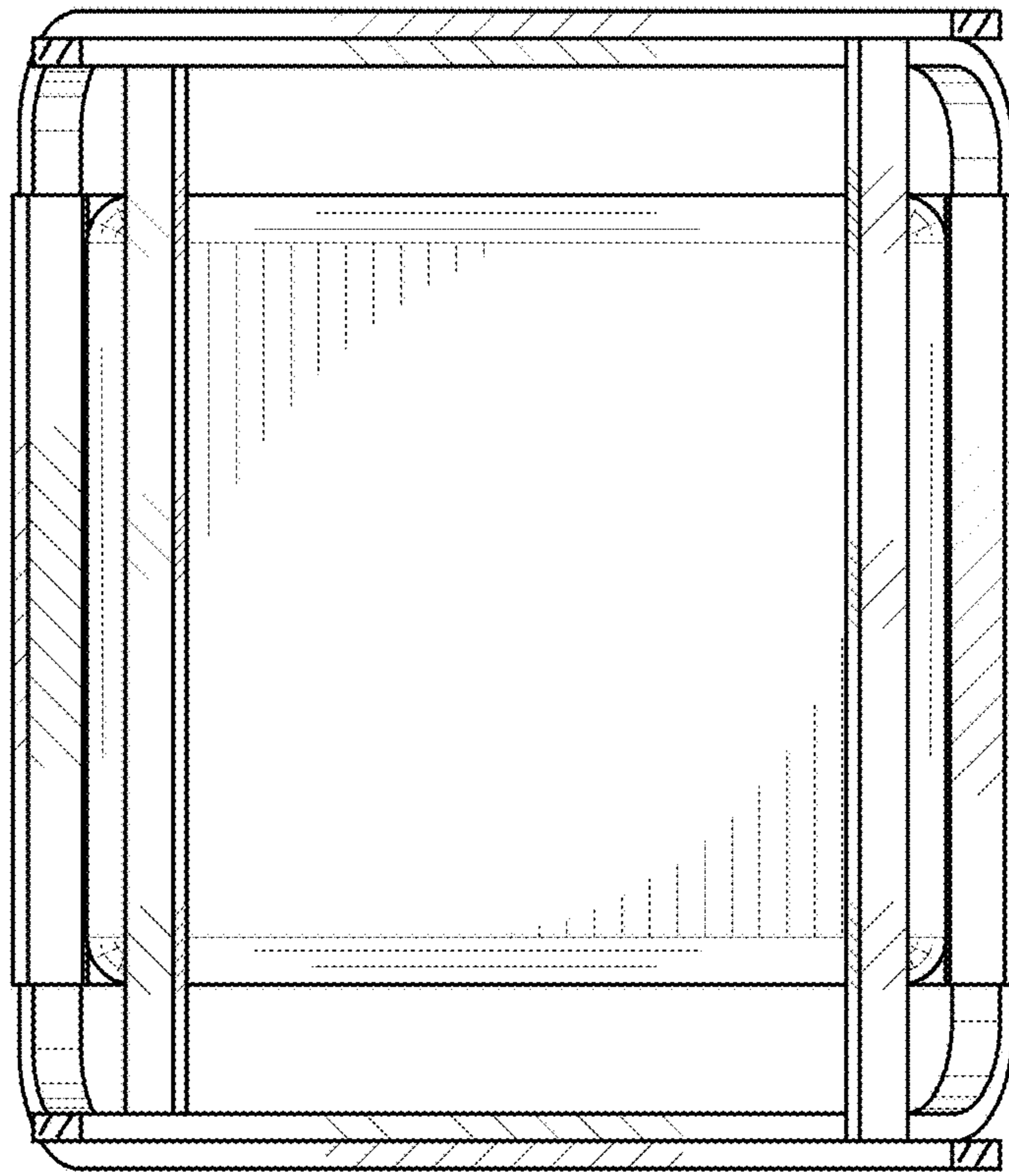


FIG. 5

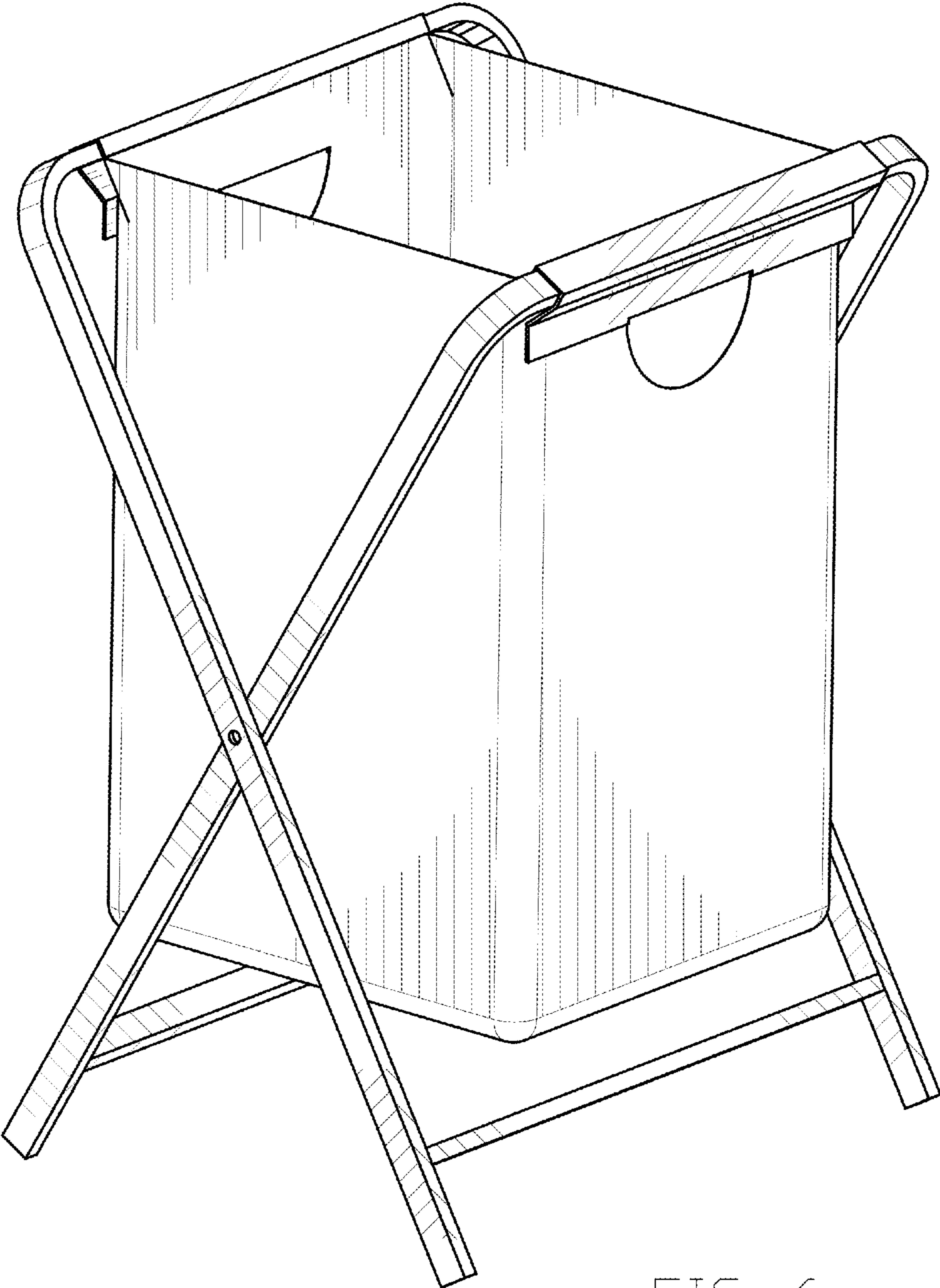


FIG. 6