



US00D856616S

(12) **United States Design Patent**  
**Zhu**

(10) **Patent No.:** **US D856,616 S**

(45) **Date of Patent:** **\*\* Aug. 13, 2019**

- (54) **FOLDABLE LAUNDRY SORTER**
- (71) Applicant: **Shou Qiang Zhu**, Ontario, CA (US)
- (72) Inventor: **Shou Qiang Zhu**, Ontario, CA (US)
- (73) Assignee: **Maxton Engineering Ltd.**, Hong Kong (CN)
- (\*\*) Term: **15 Years**
- (21) Appl. No.: **29/593,859**
- (22) Filed: **Feb. 13, 2017**
- (51) **LOC (12) Cl.** ..... **07-07**
- (52) **U.S. Cl.**  
USPC ..... **D32/37**
- (58) **Field of Classification Search**  
USPC ..... D32/35, 37, 53; D3/201, 304, 305, 306,  
D3/307, 308, 309, 312, 314; D9/420,  
D9/423, 501, 721, 742; D34/5, 6, 11  
CPC . D06F 95/004; D06F 95/002; B65B 67/1244;  
B65B 67/1205; A47B 61/00; B62B 3/106;  
B62B 3/02; A47G 25/0685  
See application file for complete search history.

- 6,014,827 A \* 1/2000 Lehrman ..... D06F 57/12  
38/104
  - 6,019,445 A \* 2/2000 Gades ..... D06F 95/002  
312/245
  - D545,515 S \* 6/2007 Clucas ..... D32/37
  - 8,910,813 B1 \* 12/2014 Barre ..... D06F 95/002  
220/23.83
  - D732,779 S \* 6/2015 Bittle ..... D32/37
  - D733,984 S \* 7/2015 Tsai ..... D32/37
  - D760,980 S \* 7/2016 Tsai ..... D32/37
  - D762,336 S \* 7/2016 Chang ..... D32/37
- (Continued)

*Primary Examiner* — Michelle E. Wilson  
(74) *Attorney, Agent, or Firm* — Che-Yang Chen; Law  
Offices of Scott Warmuth

(57) **CLAIM**

The ornamental design for a foldable laundry sorter, as shown and described.

**DESCRIPTION**

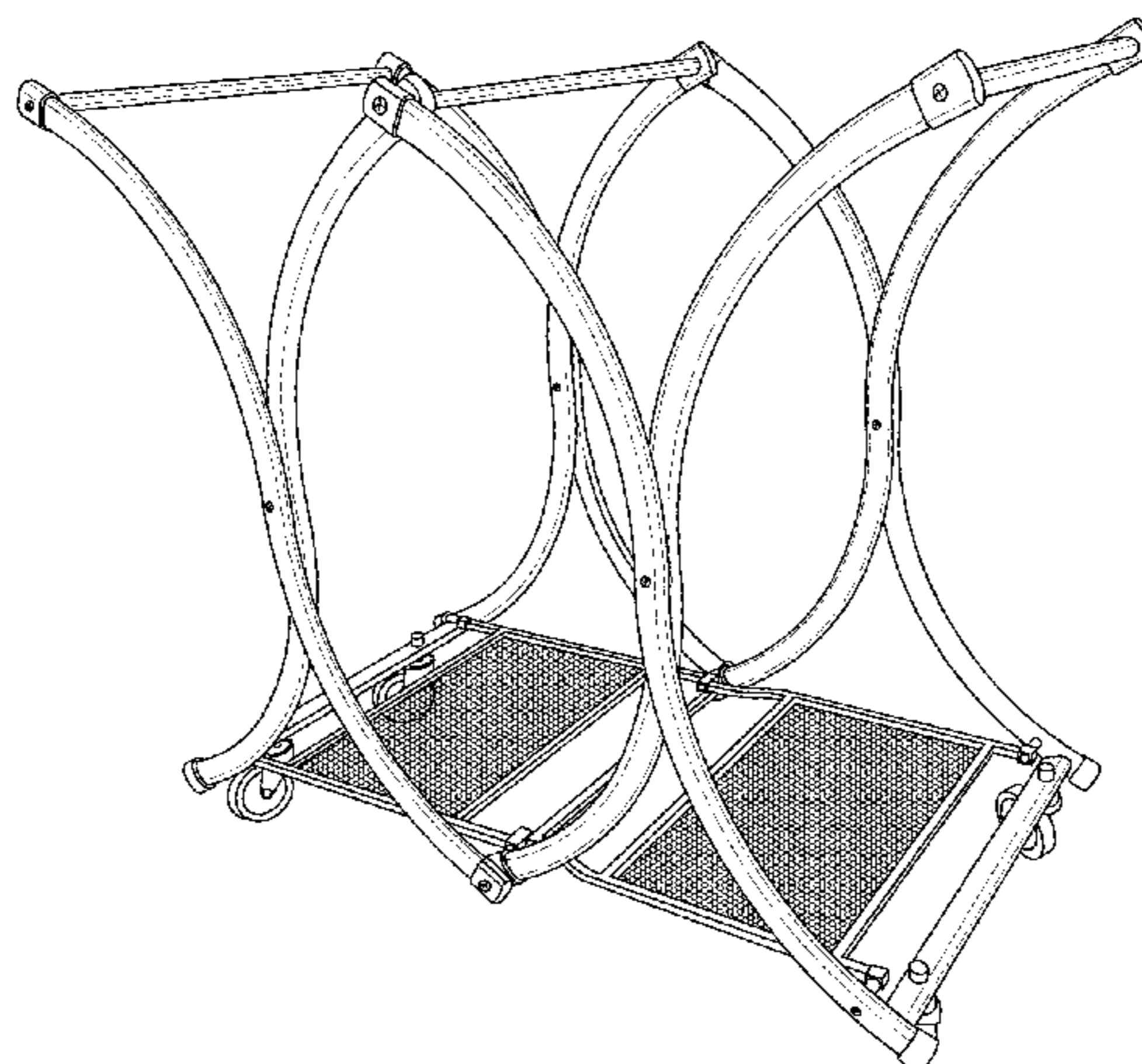
FIG. 1 is a perspective view of the foldable laundry sorter showing my new design;  
 FIG. 2 is a front and rear elevational view thereof;  
 FIG. 3 is a left and right side elevational view thereof;  
 FIG. 4 is a top plan view thereof;  
 FIG. 5 is a bottom plan view thereof;  
 FIG. 6 is a perspective view of the foldable laundry sorter that is partially folded;  
 FIG. 7 is a perspective view of the foldable laundry sorter that is completely folded;  
 FIG. 8 is a front and rear elevational view of FIG. 7;  
 FIG. 9 is a left and right side elevational view of FIG. 7;  
 FIG. 10 is a top plan view of FIG. 7;  
 FIG. 11 is a bottom plan view of FIG. 7;  
 FIG. 12 a perspective view of the fully extended foldable laundry sorter with laundry bags; and,  
 FIG. 13 is a top plan view of FIG. 12.

**1 Claim, 13 Drawing Sheets**

(56) **References Cited**

U.S. PATENT DOCUMENTS

- 2,014,904 A \* 9/1935 Martin ..... A45C 7/02  
220/9.3
- 2,638,399 A \* 5/1953 Seymour ..... D06F 95/004  
220/9.3
- 3,286,752 A \* 11/1966 Duryee, Jr. .... A47G 29/06  
220/9.3
- D279,038 S \* 5/1985 Thompson, Jr. .... D32/37
- 4,646,802 A \* 3/1987 Basore ..... B65B 67/1244  
220/495.11
- 4,953,815 A \* 9/1990 Beymer ..... B65B 67/12  
248/97
- D341,687 S \* 11/1993 Park ..... D34/5
- 5,667,066 A \* 9/1997 Simpson ..... B65B 67/1244  
206/278
- D404,861 S \* 1/1999 Balensiefer, II ..... D32/37



(56)

**References Cited**

U.S. PATENT DOCUMENTS

D827,964 S \* 9/2018 Barre ..... D06F 95/004  
D32/58

D827,965 S \* 9/2018 Barre ..... D32/58

\* cited by examiner

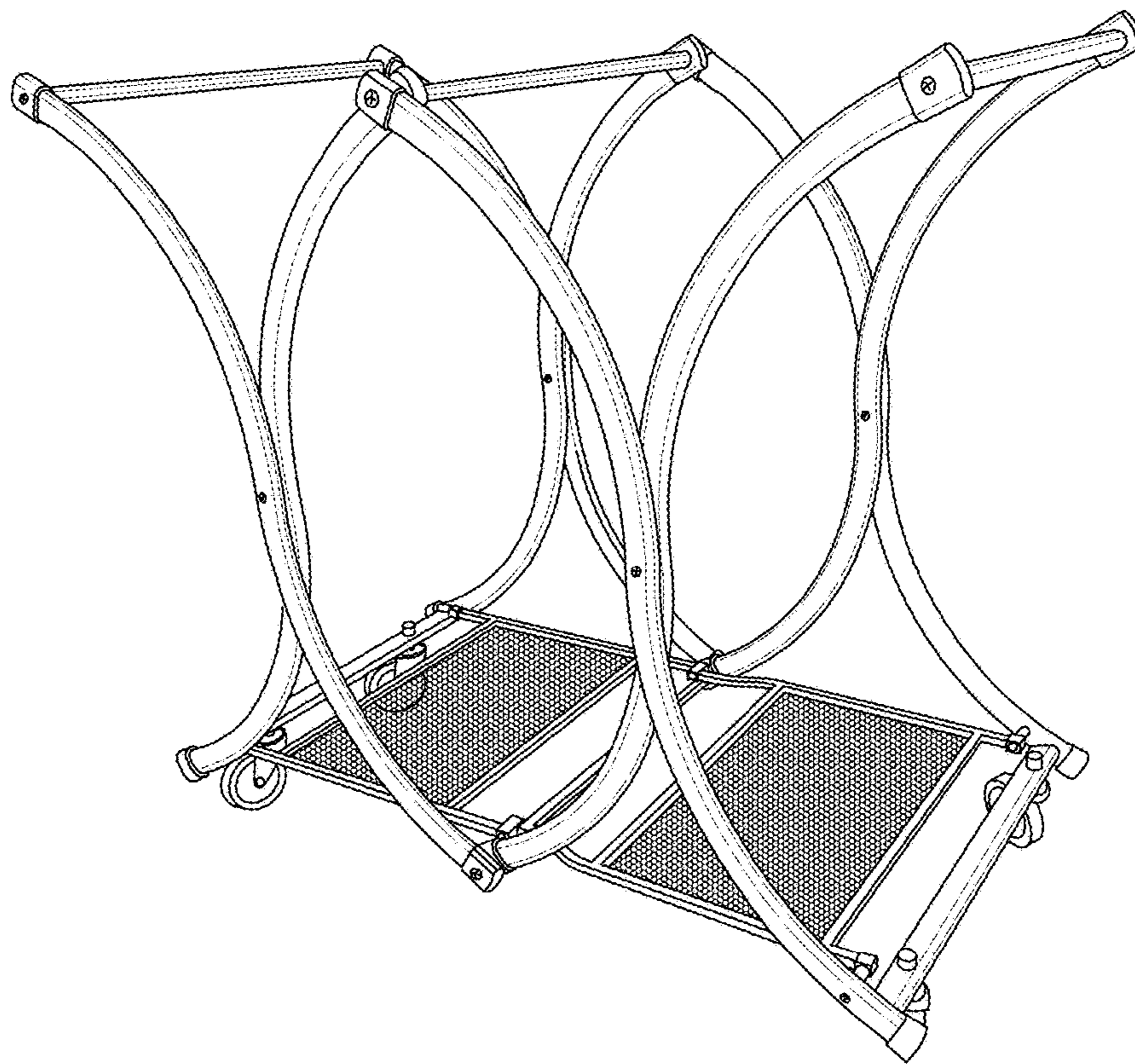


FIG. 1

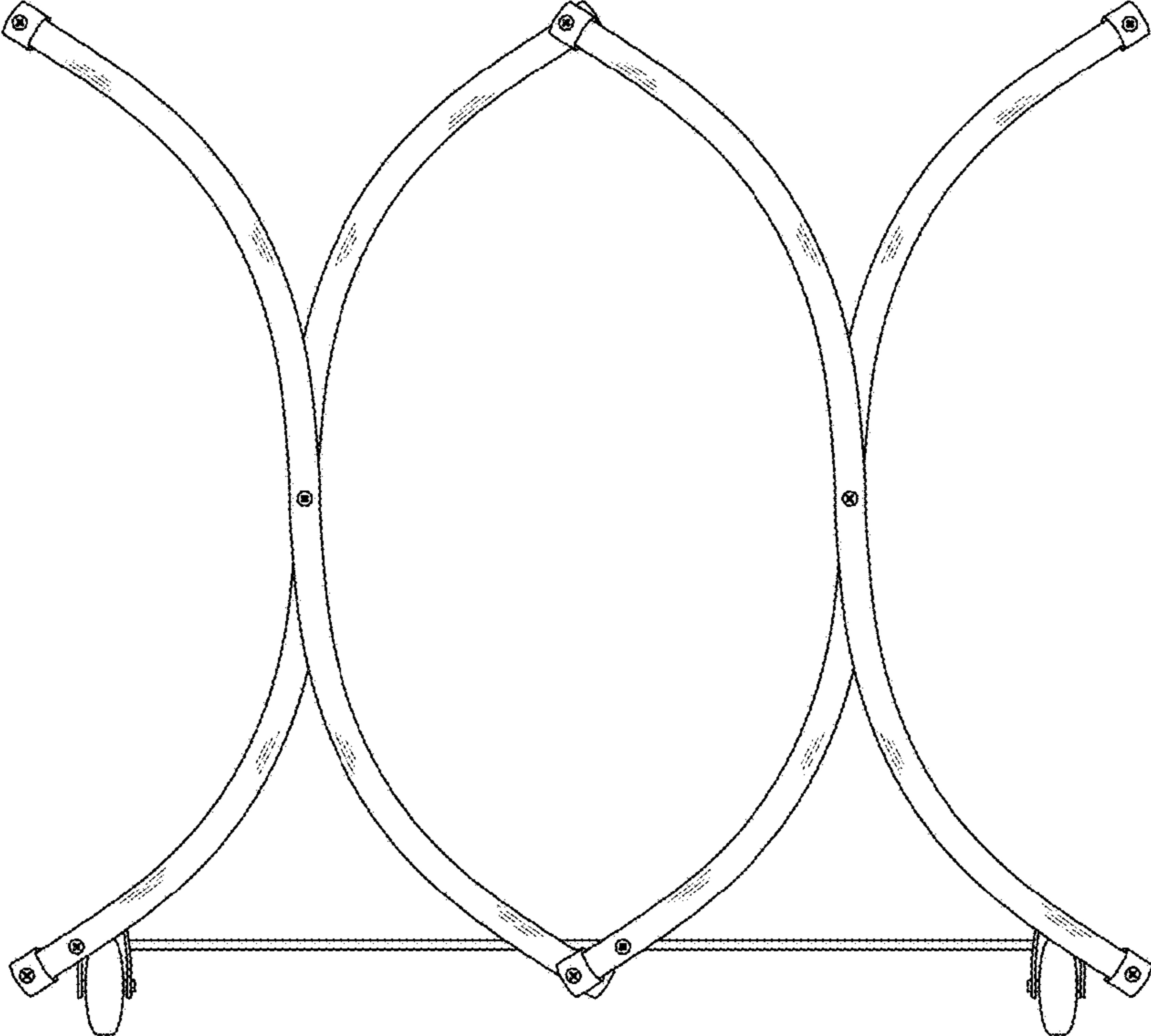


FIG. 2

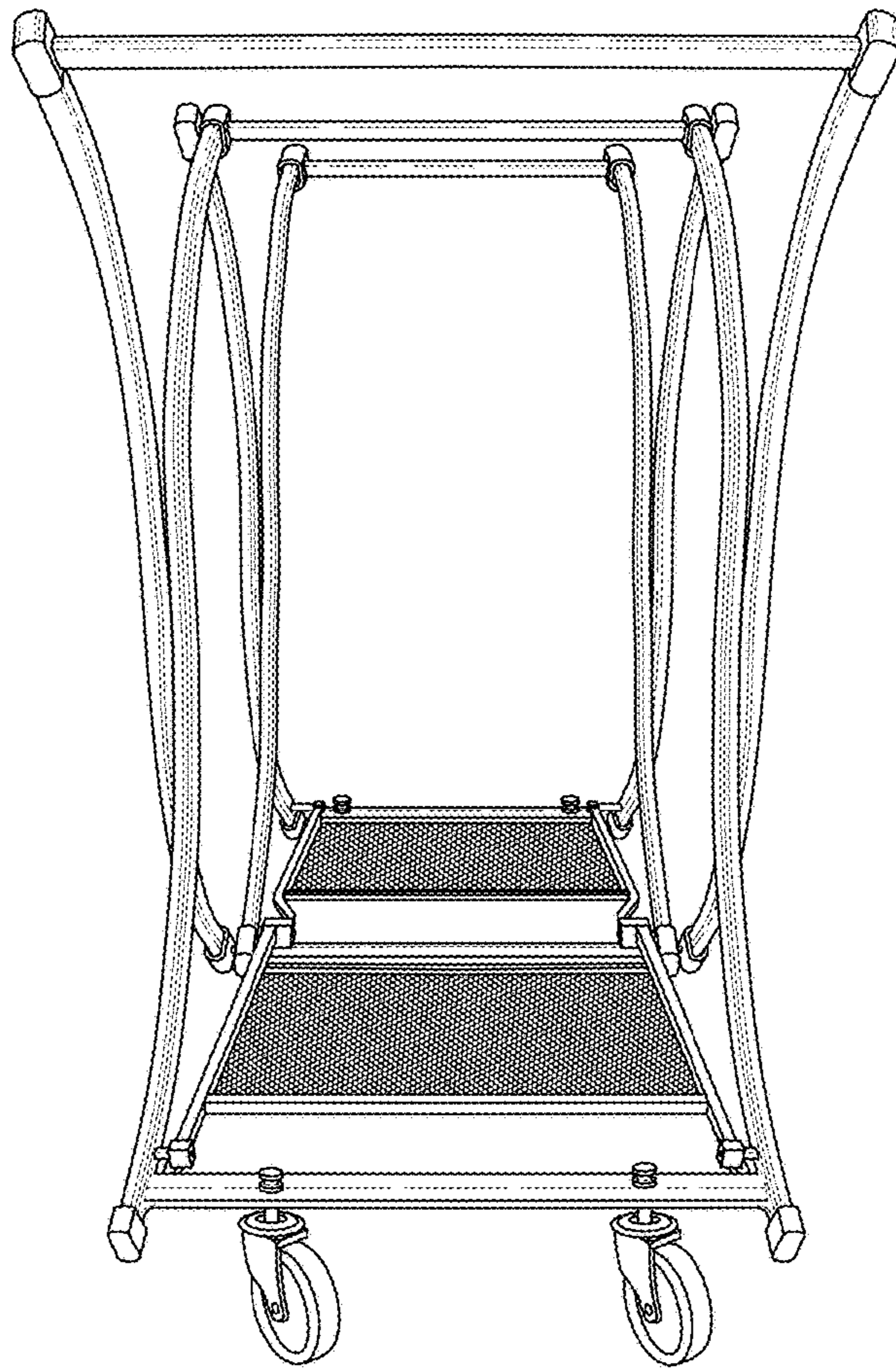


FIG. 3

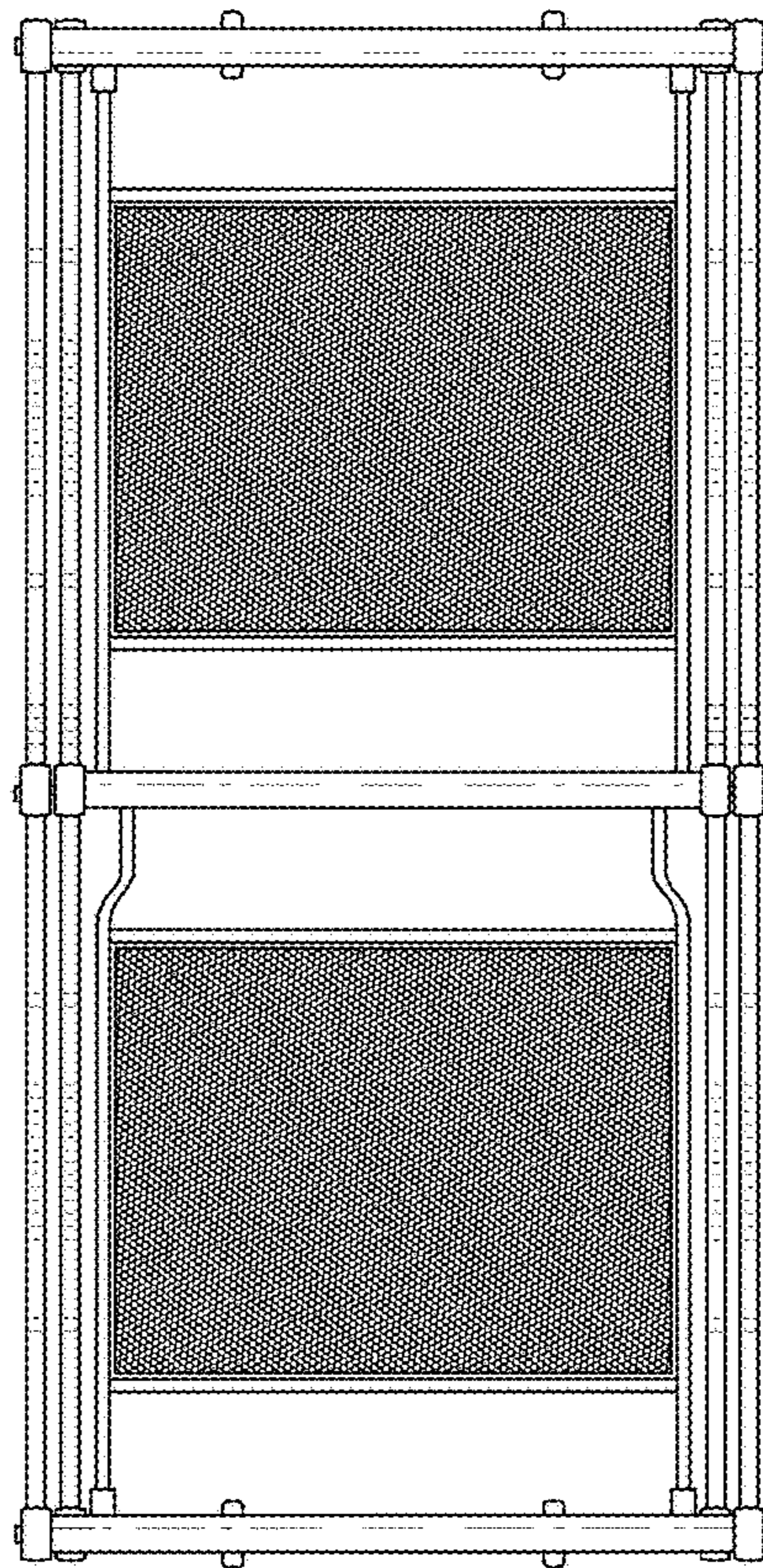


FIG. 4

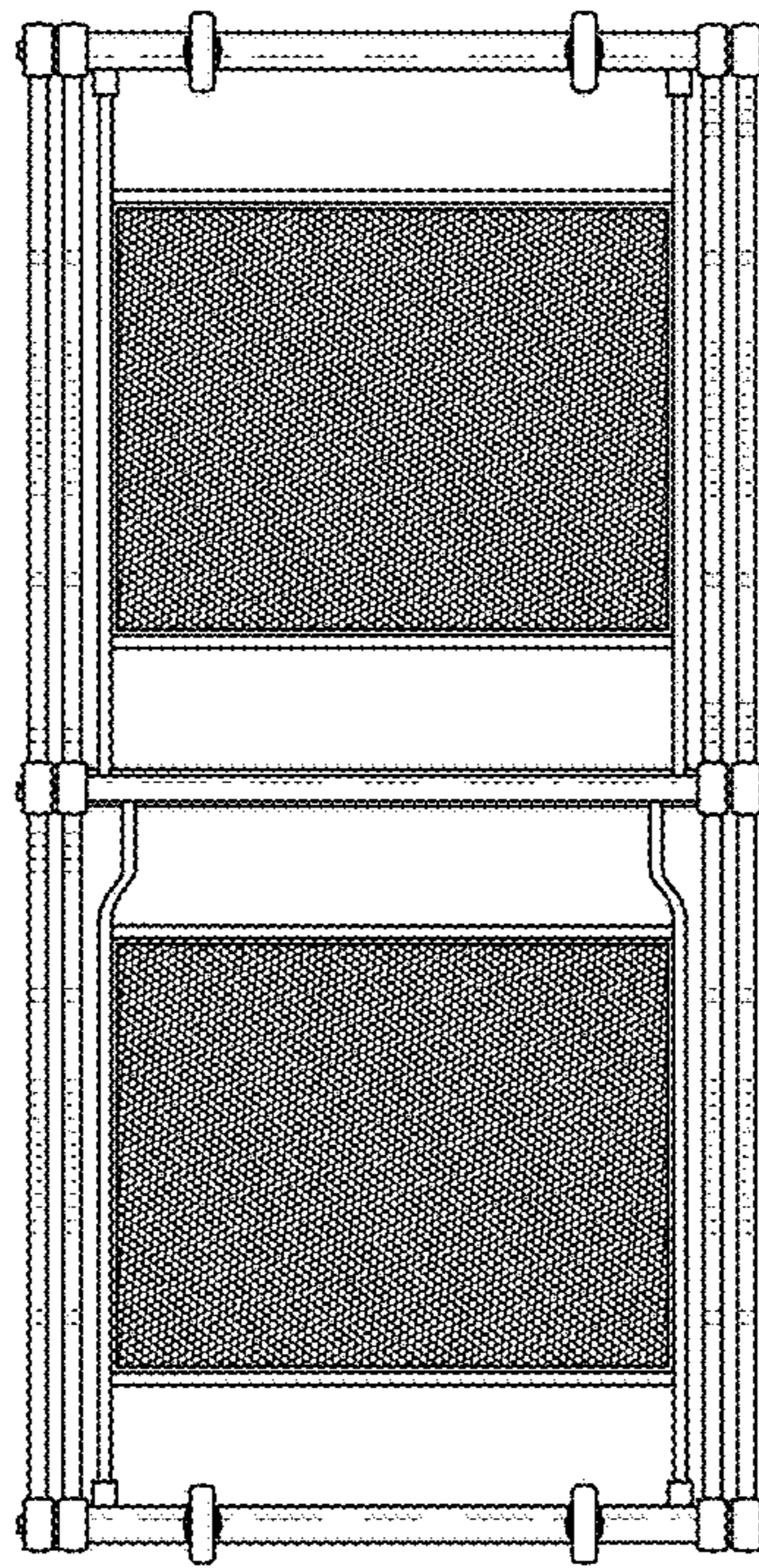


FIG. 5

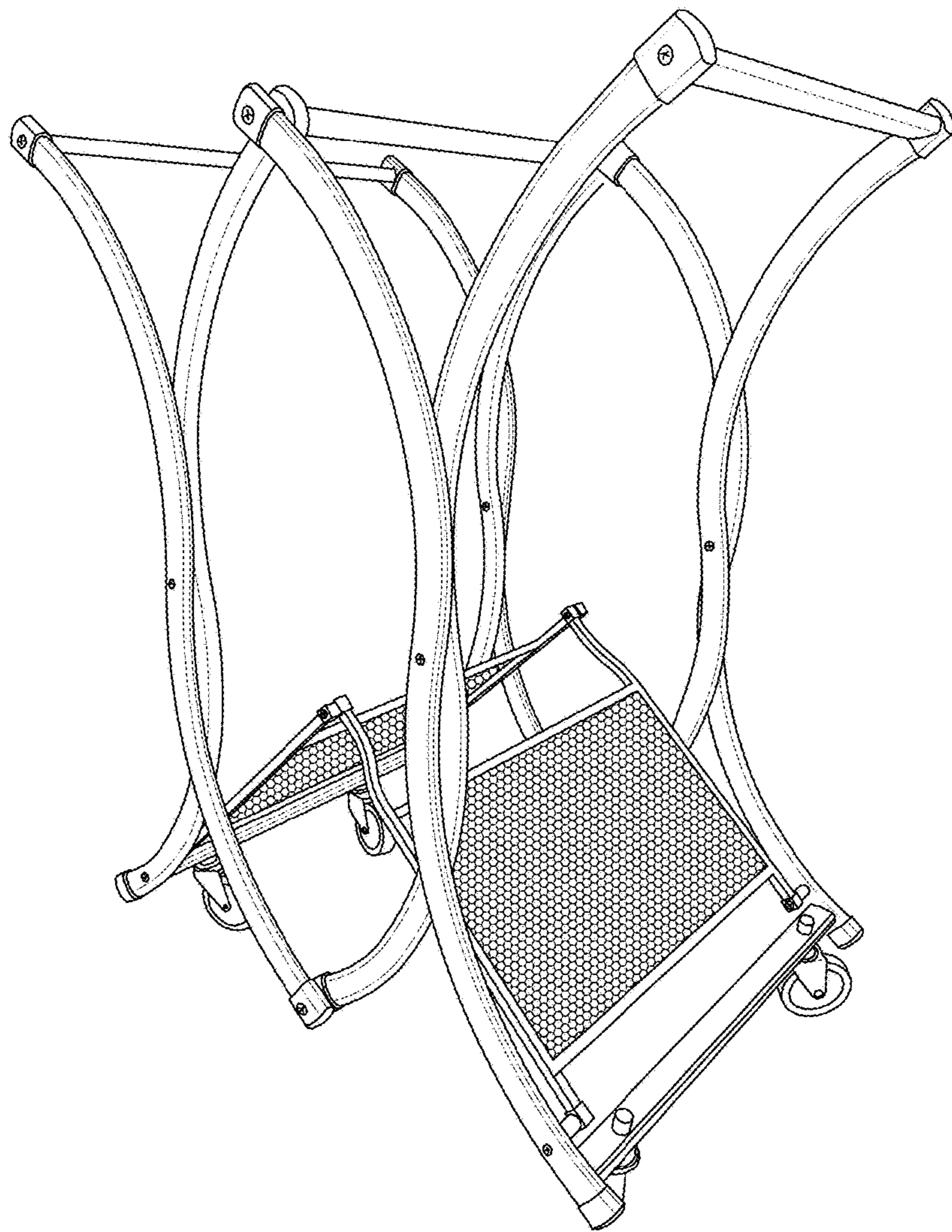


FIG. 6



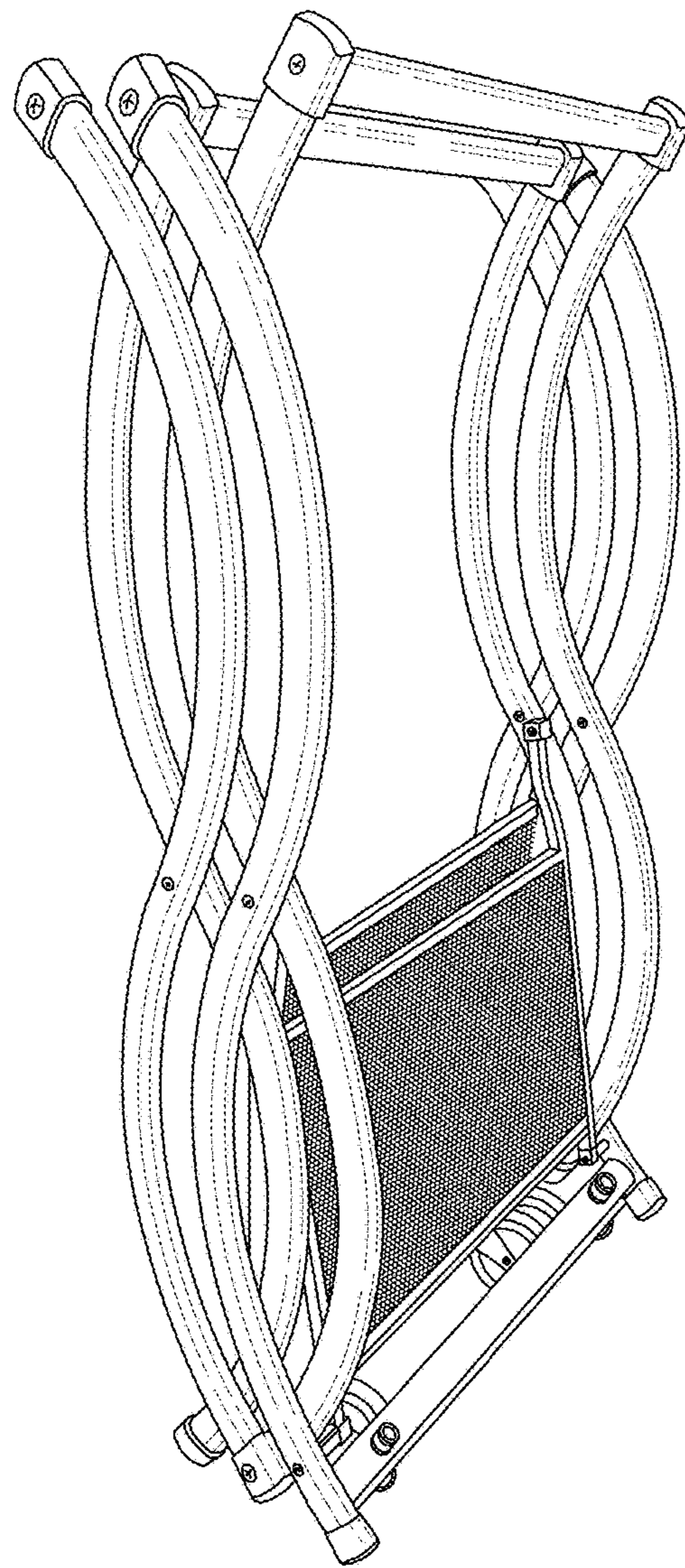


FIG. 7

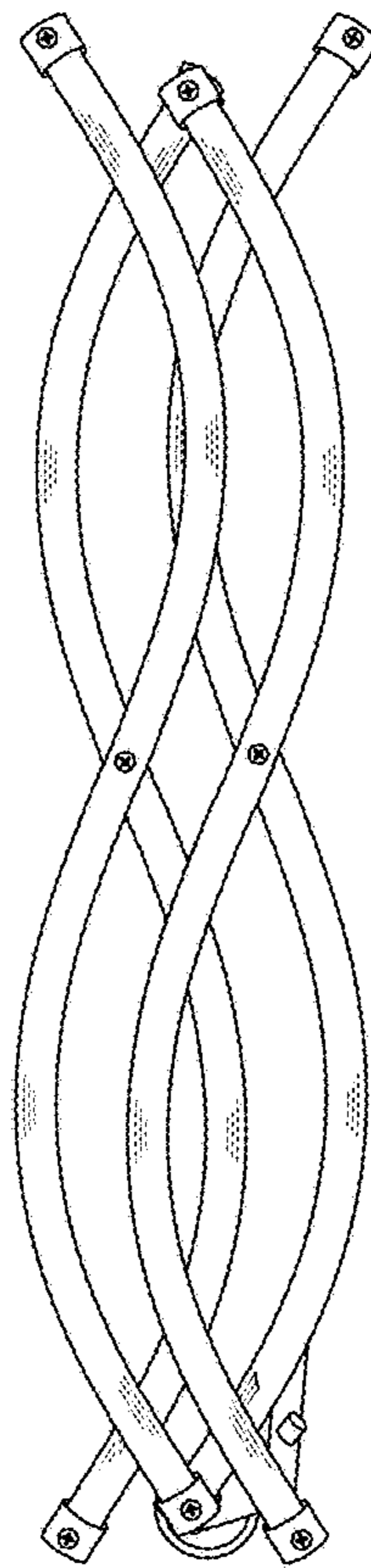


FIG. 8

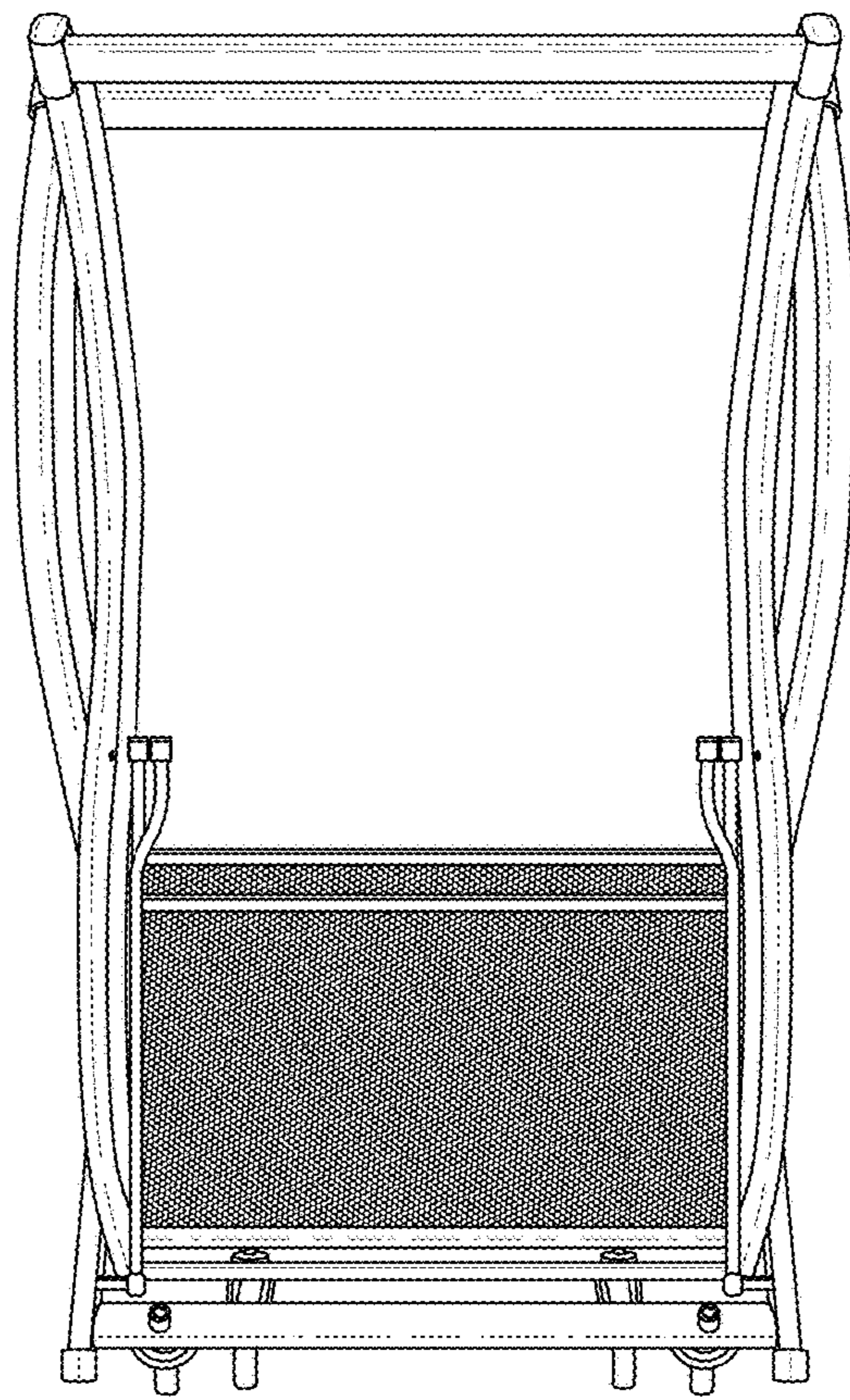


FIG. 9

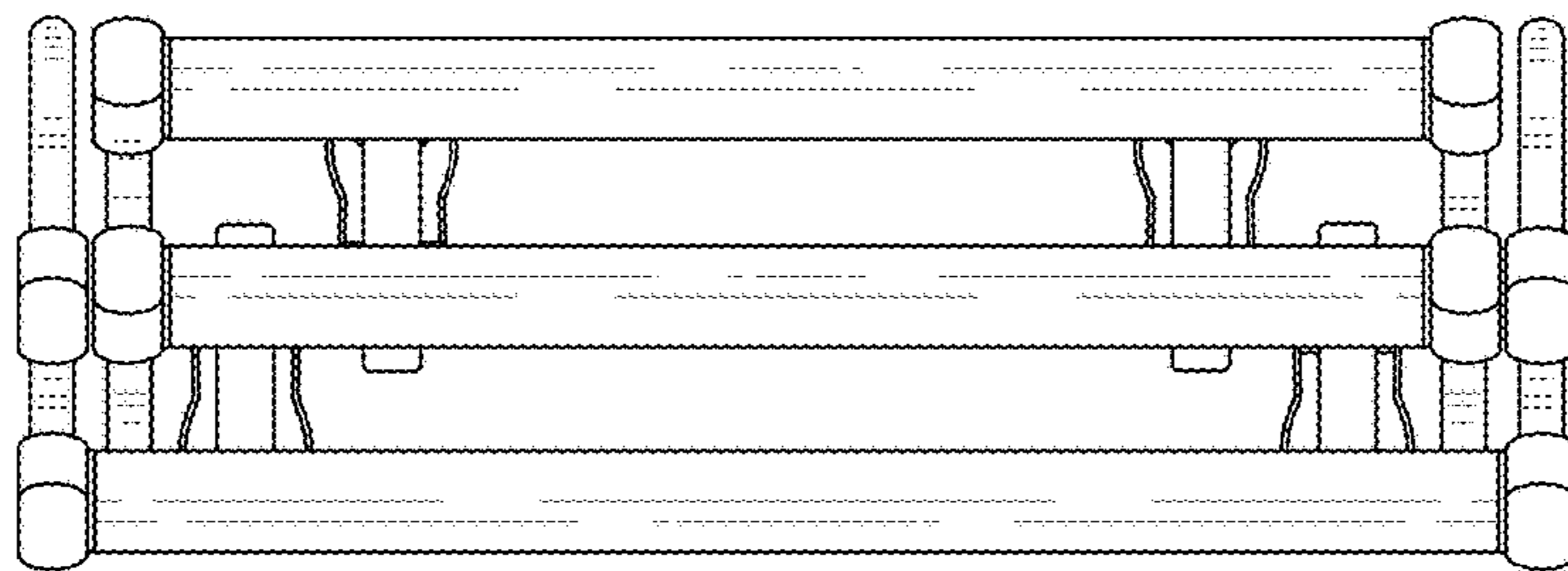


FIG. 10

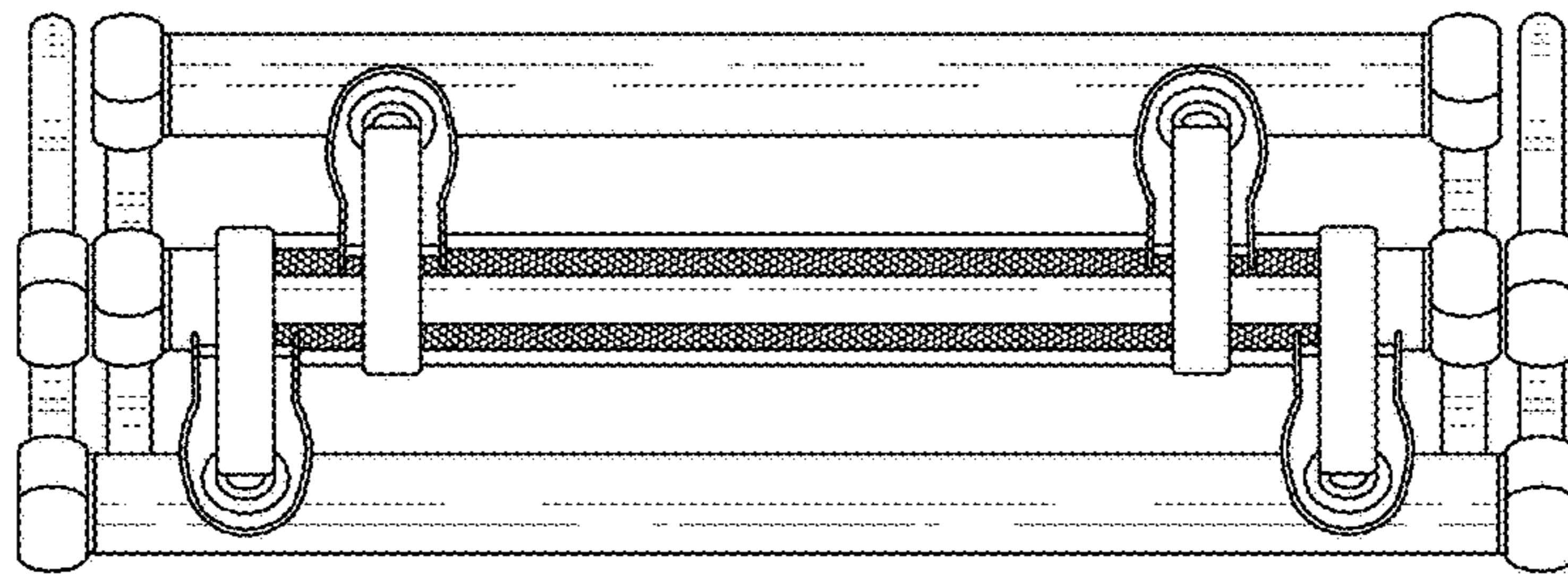


FIG. 11

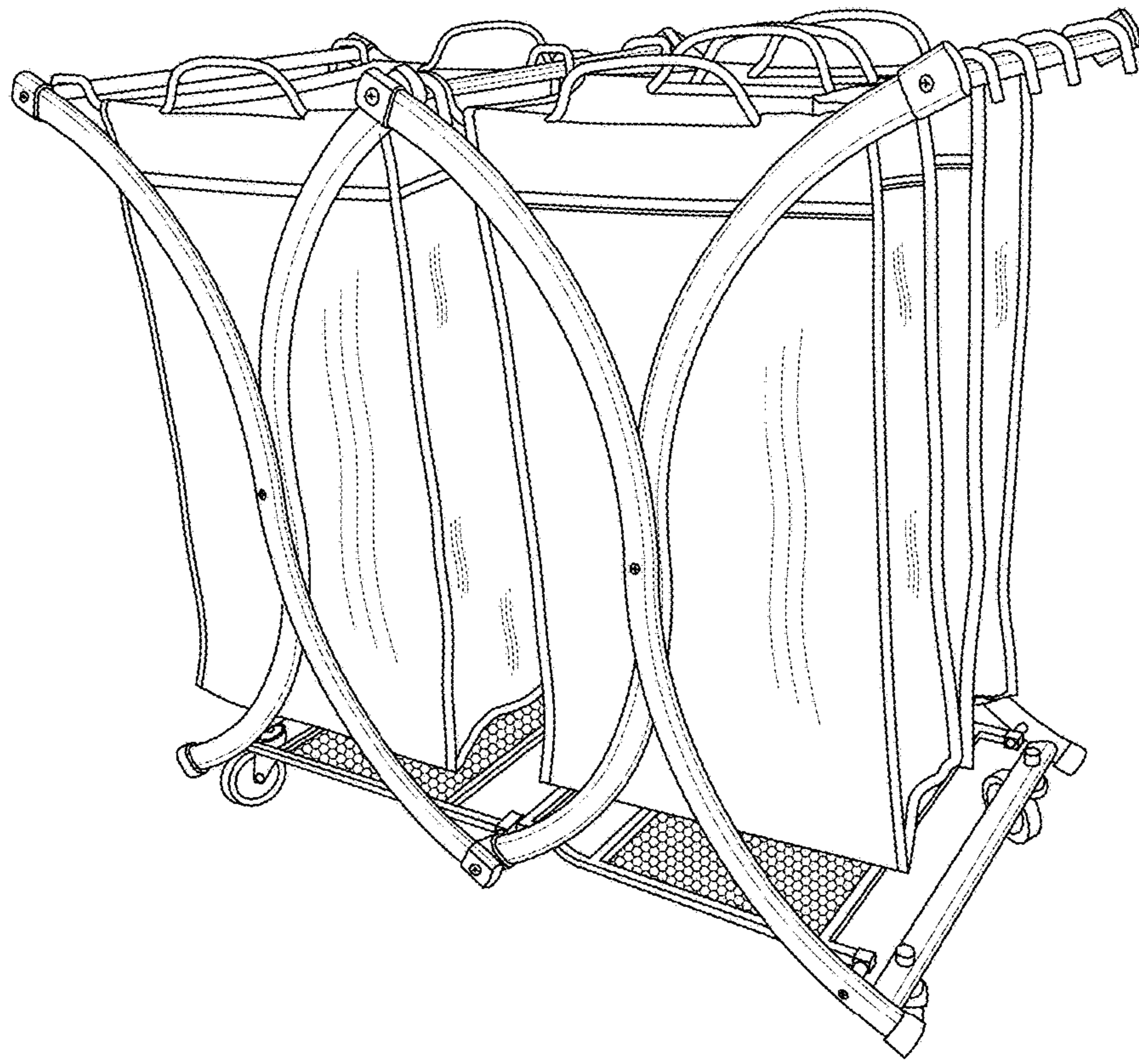


FIG. 12

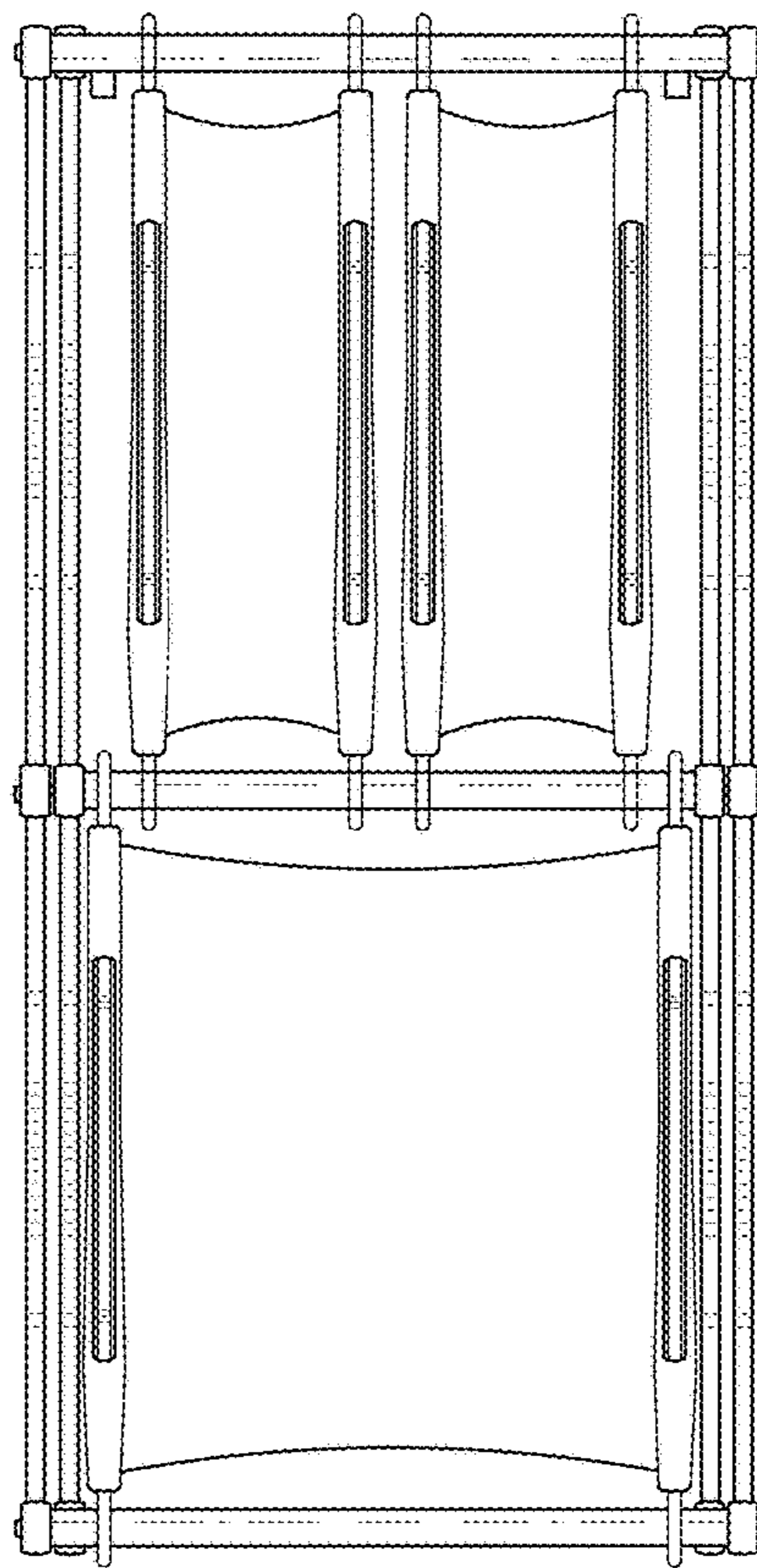


FIG. 13