

US00D856613S

(12) **United States Design Patent** (10) **Patent No.:** **US D856,613 S**
Loibl et al. (45) **Date of Patent:** **** Aug. 13, 2019**

- (54) **PET TOY**
- (71) Applicant: **Hyper Pet LLC**, Wichita, KS (US)
- (72) Inventors: **Byron Loibl**, Wichita, KS (US); **Sonia S. Cox**, Andover, KS (US)
- (73) Assignee: **Hyper Pet LLC**, Wichita, KS (US)
- (**) Term: **15 Years**
- (21) Appl. No.: **29/667,865**
- (22) Filed: **Oct. 25, 2018**

Related U.S. Application Data

- (62) Division of application No. 29/584,013, filed on Nov. 10, 2016, now Pat. No. Des. 836,258.
- (51) **LOC (12) Cl.** **30-99**
- (52) **U.S. Cl.**
USPC **D30/160**
- (58) **Field of Classification Search**
USPC D21/406, 408, 436, 444, 798, 346, 398,
D21/347; D12/328, 329, 335-337;
D11/89, 90
CPC A01K 15/025; A01K 5/0114; A63B
2043/00; A63B 2043/001
See application file for complete search history.

(56) **References Cited**

U.S. PATENT DOCUMENTS

- D233,906 S * 12/1974 Roger D11/90
- D528,461 S * 9/2006 Siman-Tov D11/90
- D577,468 S * 9/2008 Rutherford D21/659
- D584,988 S * 1/2009 Meyer D11/89

- D613,913 S * 4/2010 Watson D30/160
- D614,365 S * 4/2010 Watson D30/160
- D627,254 S * 11/2010 Gersh D11/89
- D652,181 S * 1/2012 Lee D30/160
- D662,851 S * 7/2012 Siman-Tov D11/89
- D724,156 S * 3/2015 Fisher D21/444
- D729,322 S * 5/2015 Fisher D21/437
- D779,776 S * 2/2017 Petersen D1/120
- D783,743 S * 4/2017 Wills D21/707
- D803,327 S * 11/2017 Gaus D21/436
- 2014/0202396 A1 * 7/2014 Hansen A01K 15/025
119/710

* cited by examiner

Primary Examiner — Barbara Fox

Assistant Examiner — Mehri F Bajoul

(74) *Attorney, Agent, or Firm* — Hovey Williams LLP

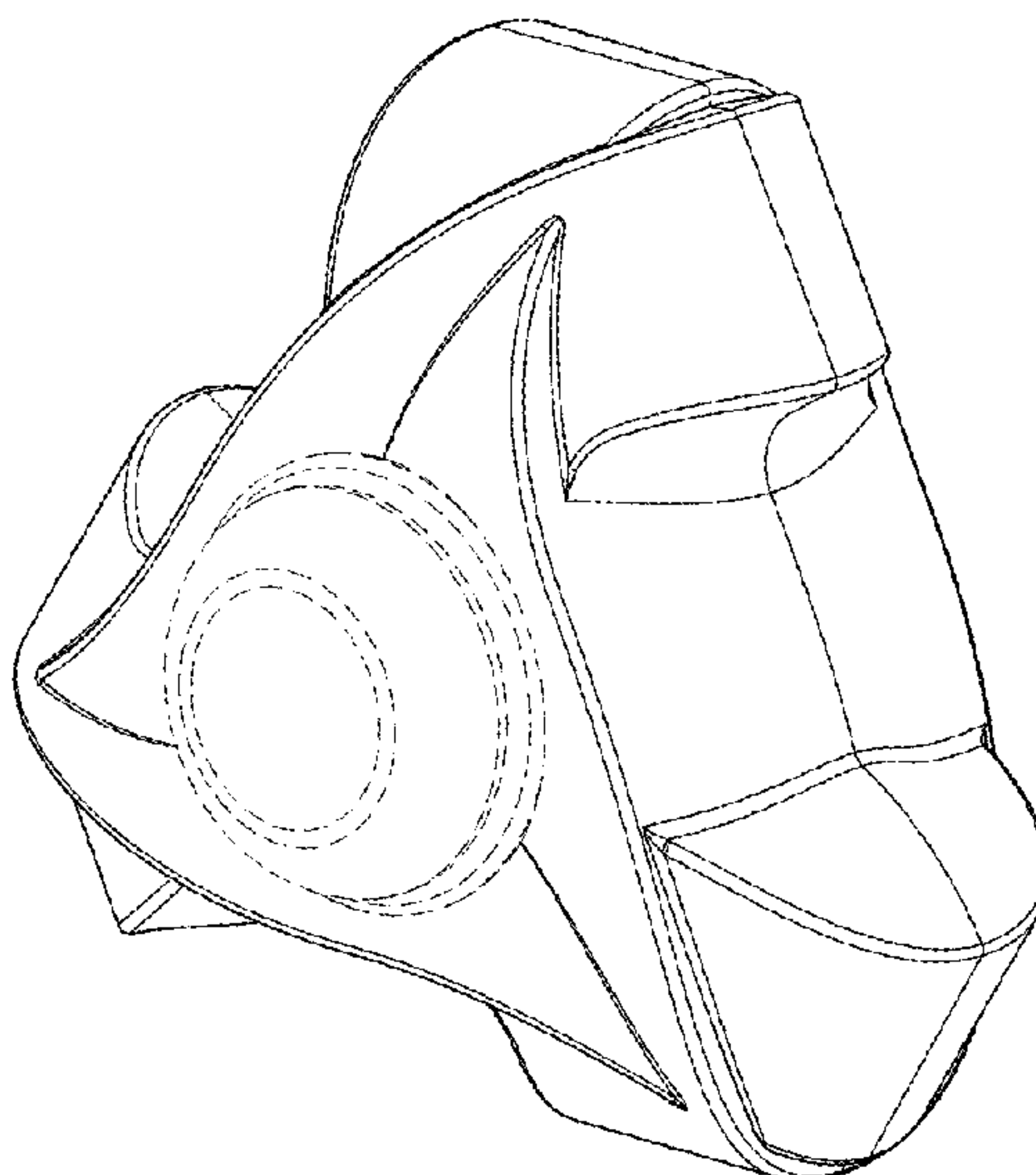
(57) **CLAIM**

The ornamental design for a pet toy, as shown and described.

DESCRIPTION

FIG. 1 is a front perspective view of a pet toy embodying our design;
 FIG. 2 is a rear perspective view of the pet toy of FIG. 1;
 FIG. 3 is a front elevational view of the pet toy of FIG. 1;
 FIG. 4 is left side elevational view of the pet toy of FIG. 1;
 FIG. 5 is a right side elevational view of the pet toy of FIG. 1;
 FIG. 6 is a top plan view of the pet toy of FIG. 1;
 FIG. 7 is a bottom plan view of the pet toy of FIG. 1; and,
 FIG. 8 is a rear elevational view of the pet toy of FIG. 1.
 The broken lines shown in the drawings depict portions of the pet toy that form no part of the claimed design.

1 Claim, 3 Drawing Sheets



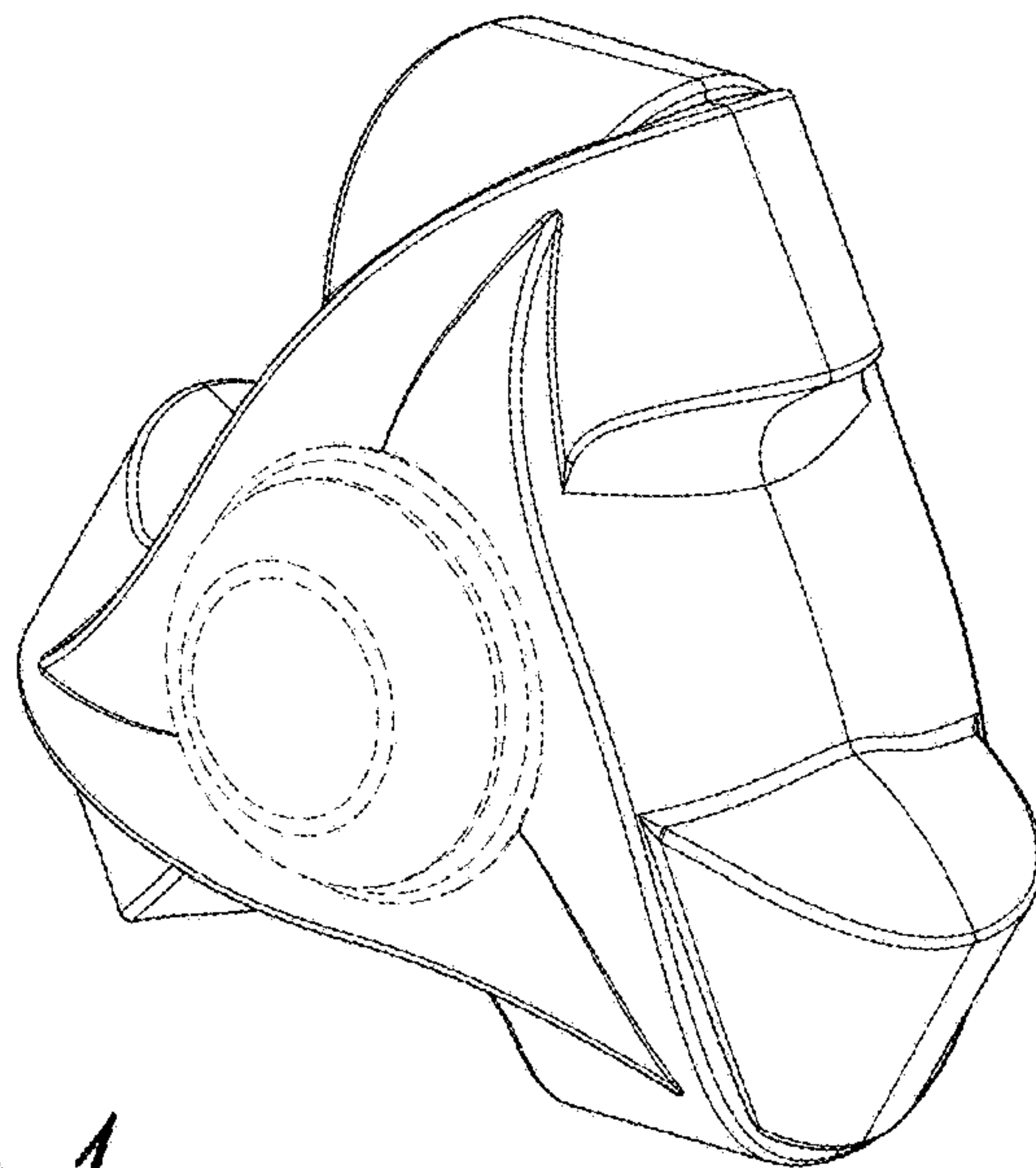


Fig. 1.

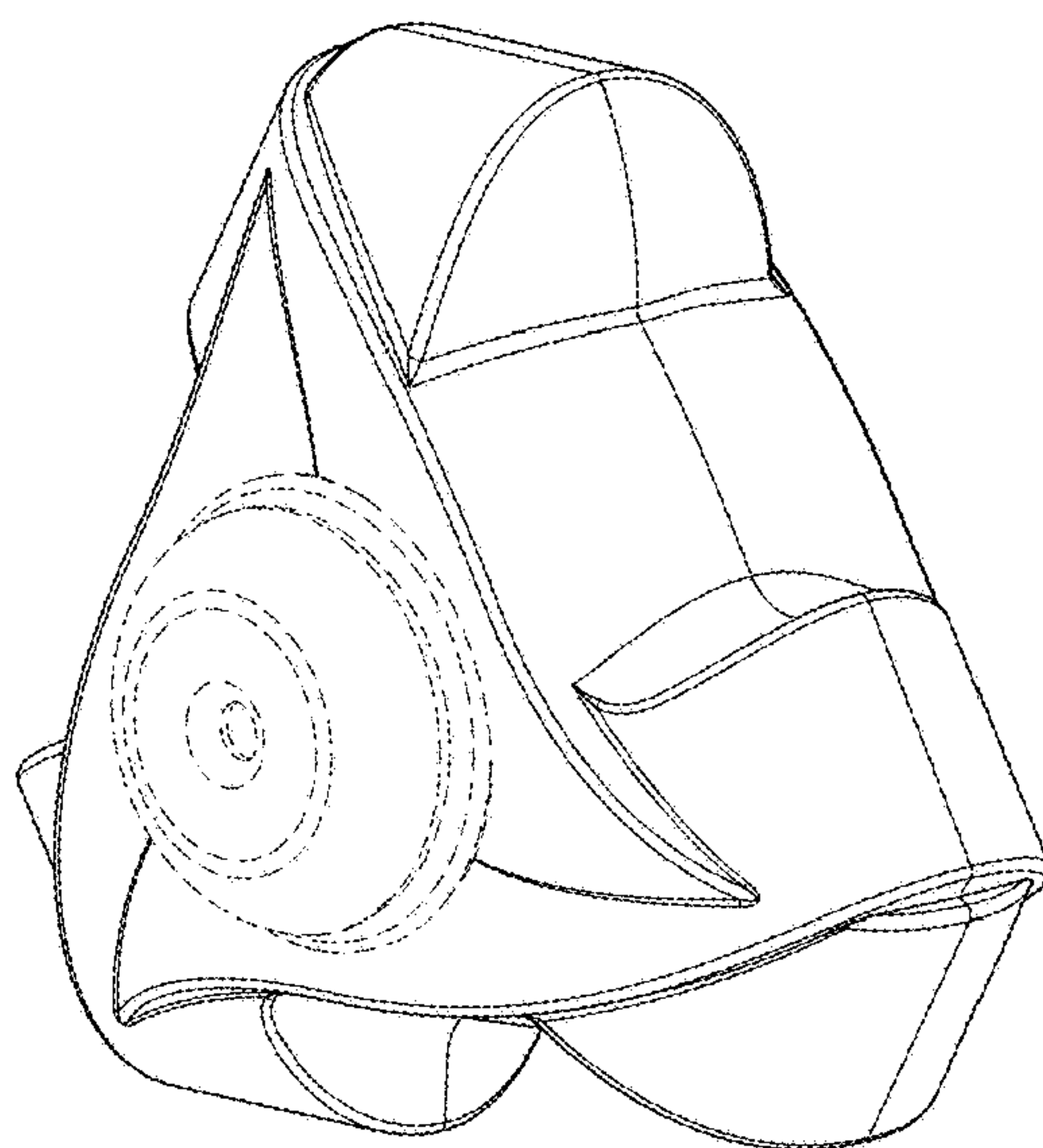


Fig. 2.

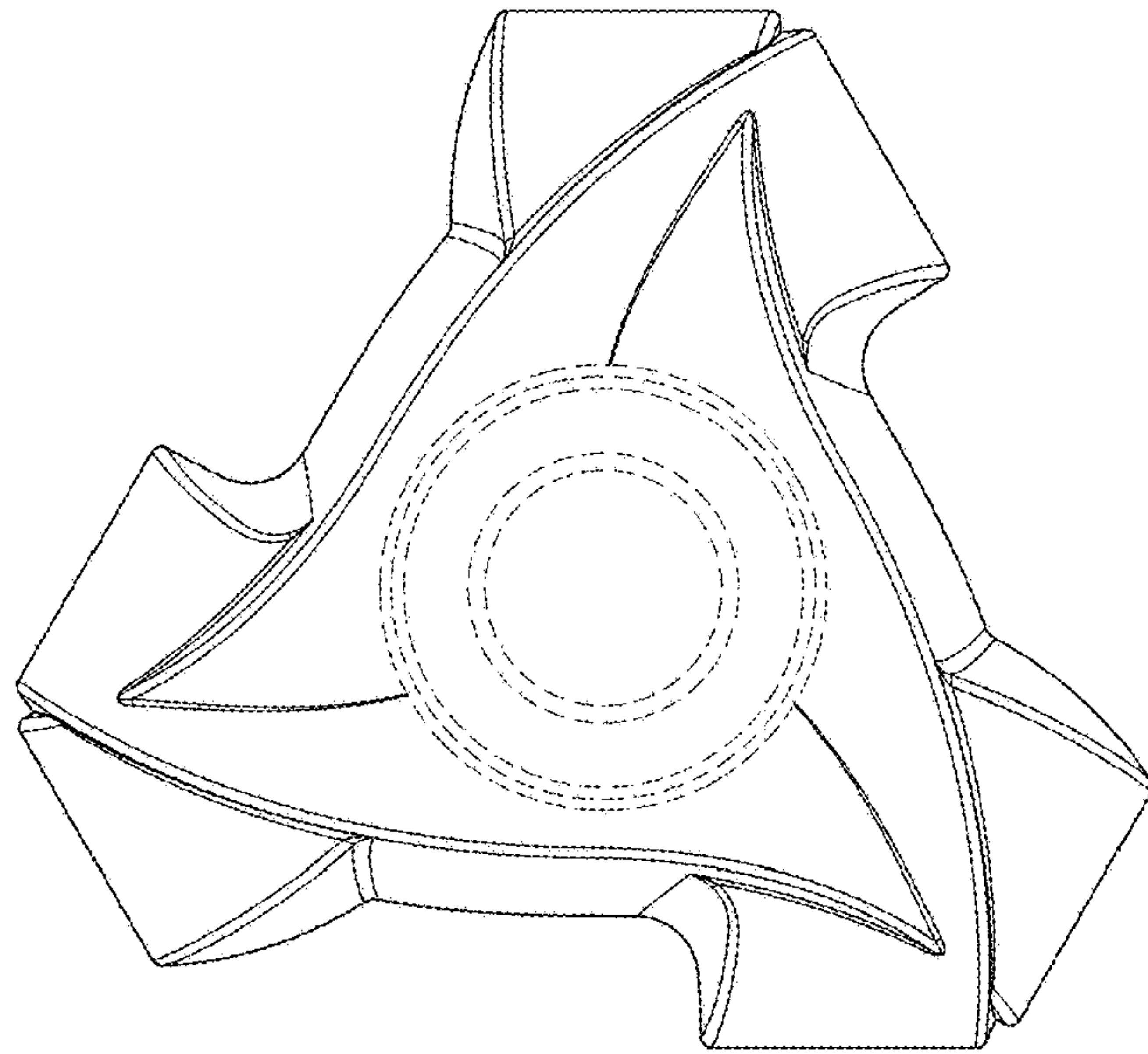


Fig. 3.

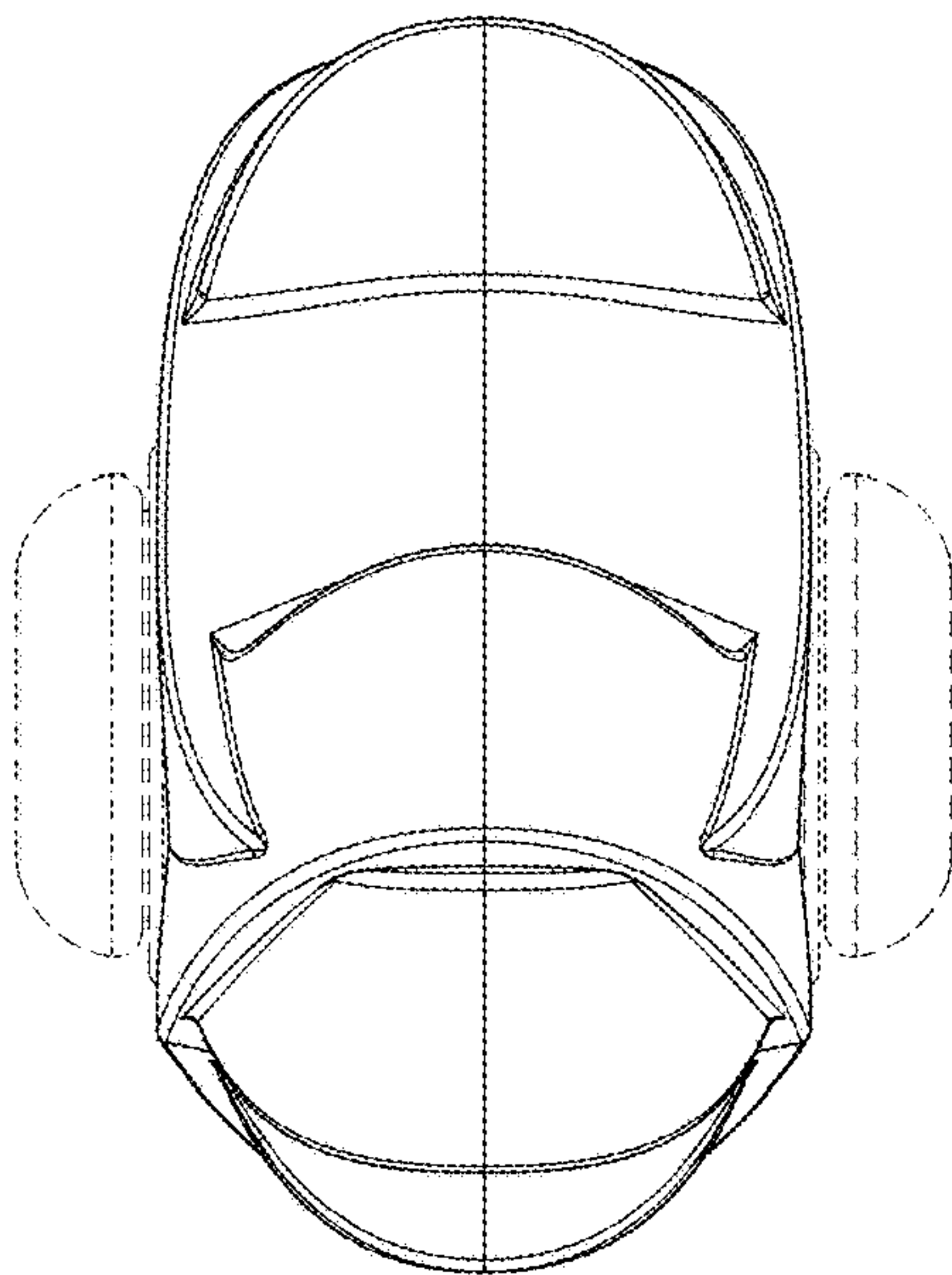


Fig. 4.

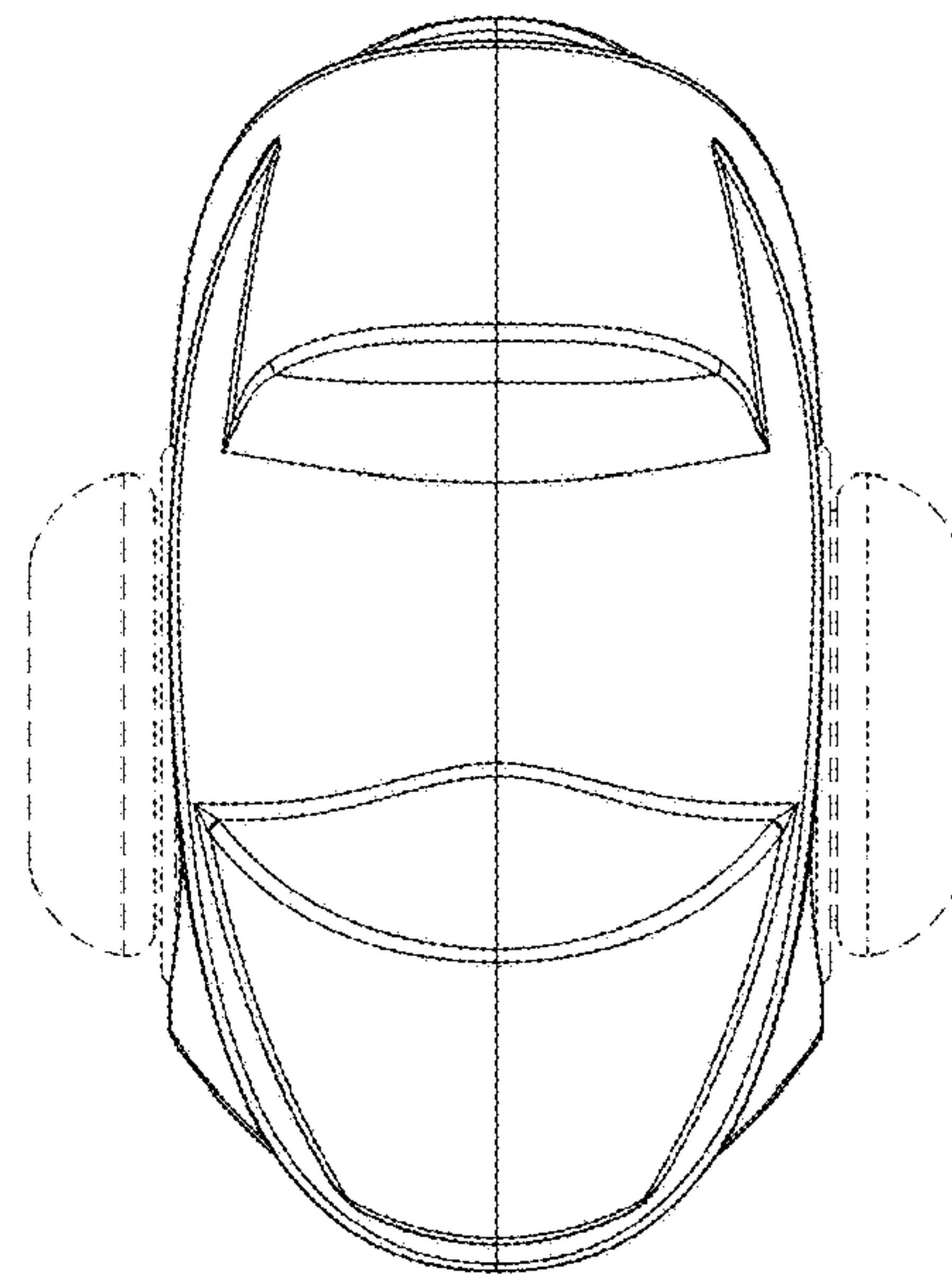


Fig. 5.

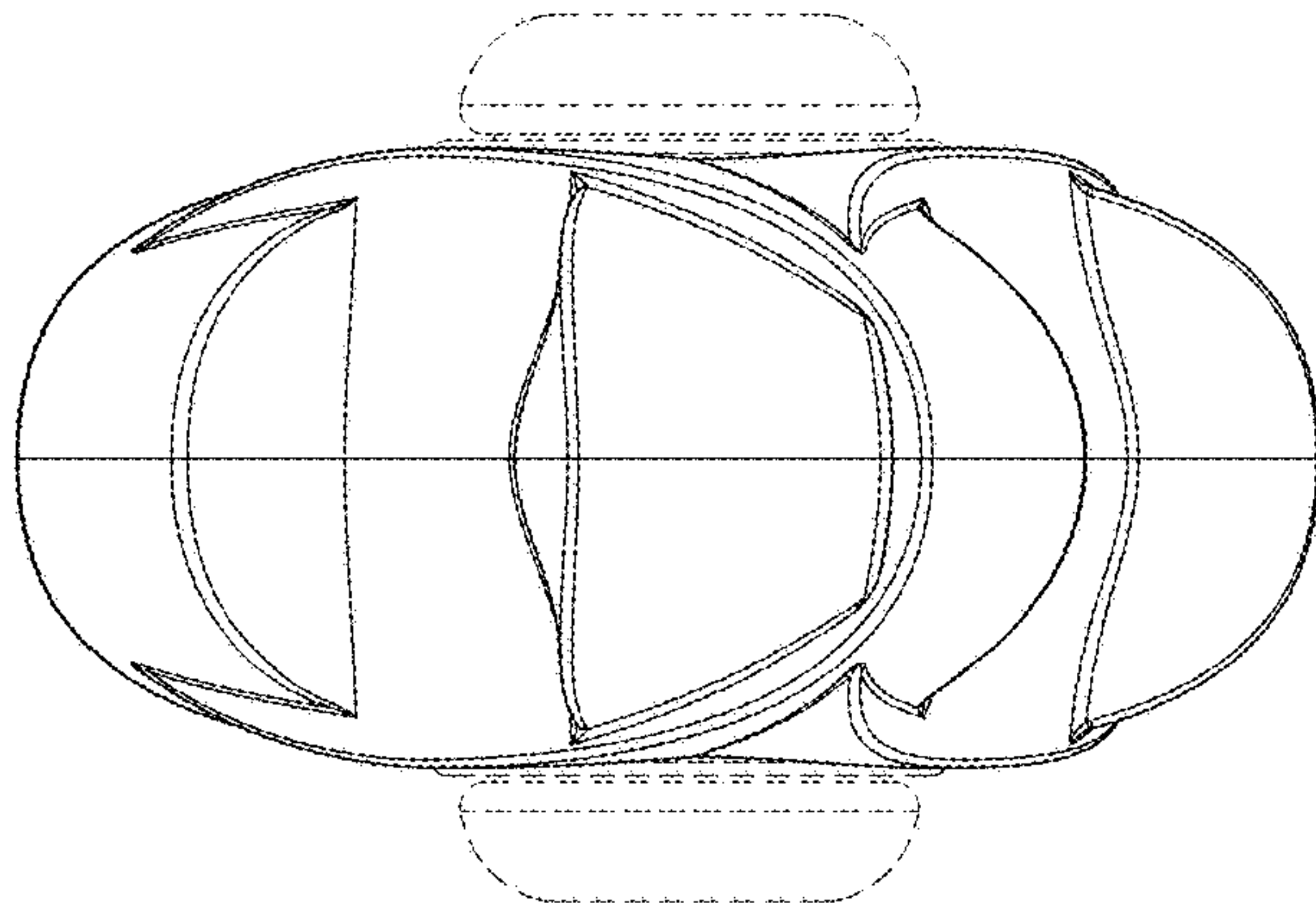


Fig. 6.

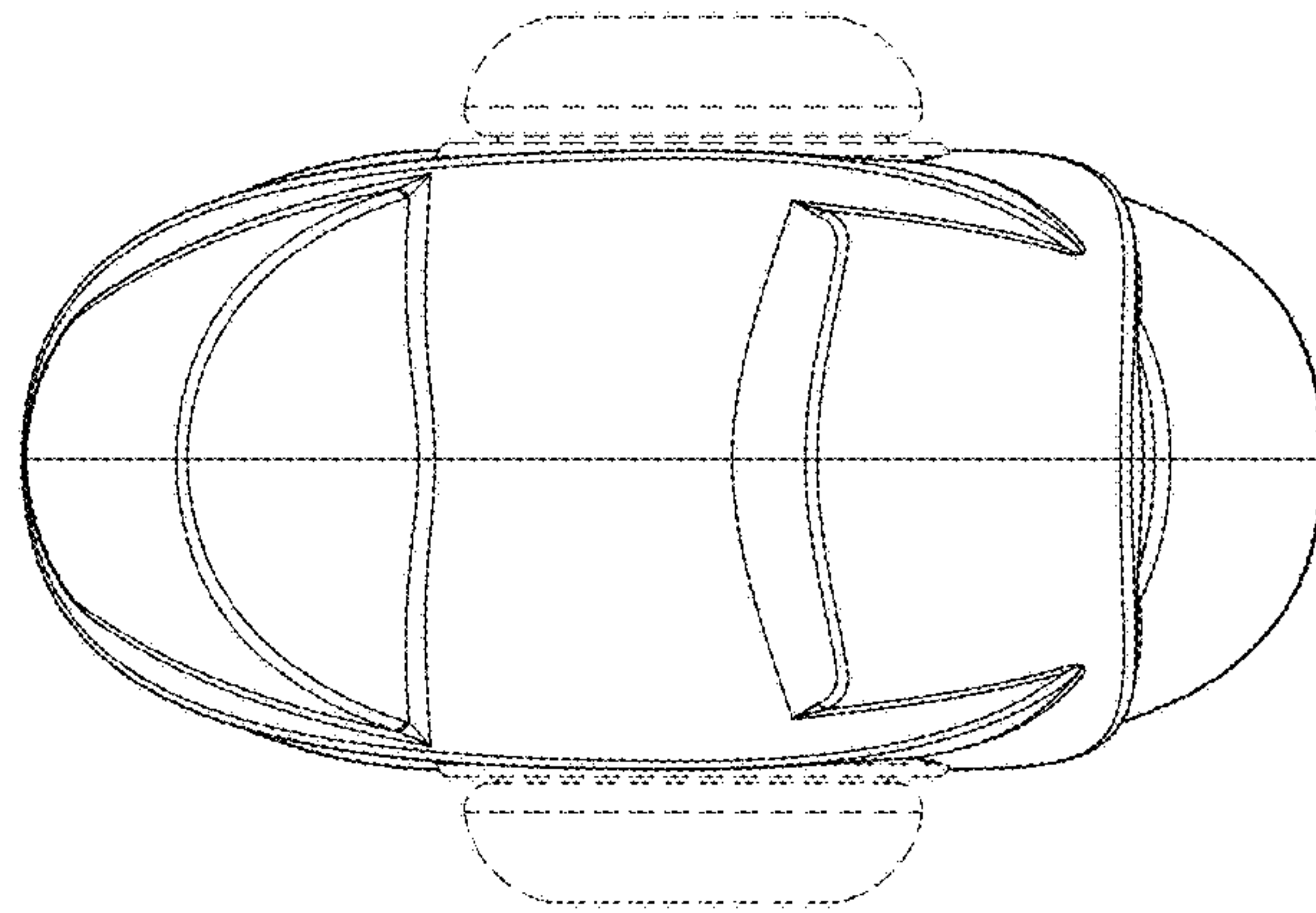


Fig. 7.

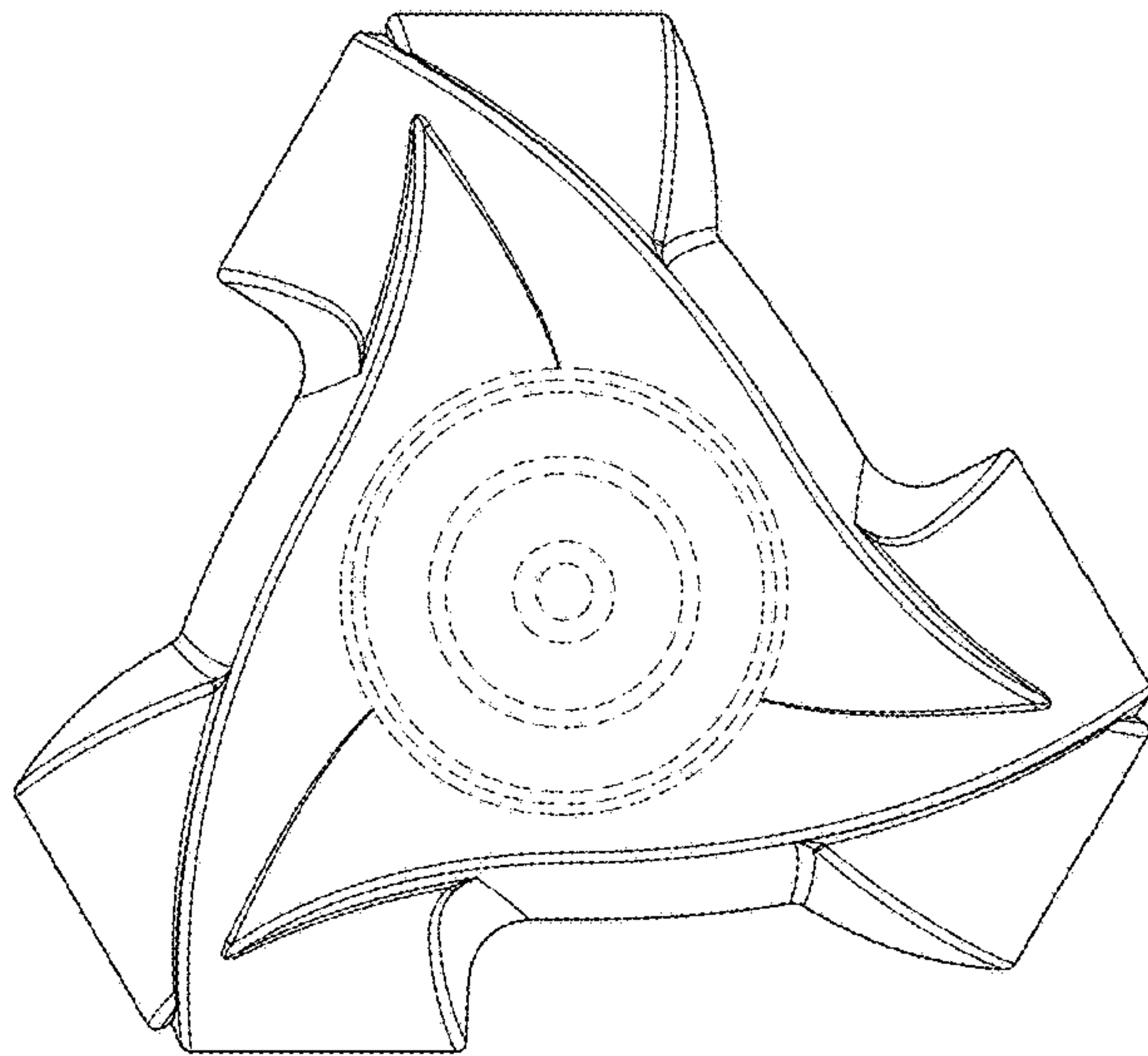


Fig. 8.