



US00D856612S

(12) **United States Design Patent** (10) **Patent No.:** **US D856,612 S**  
**SteinKraus** (45) **Date of Patent:** **\*\* Aug. 13, 2019**

- (54) **STICK TOY**
- (71) Applicant: **Gramercy Products, Inc.**, Secaucus, NJ (US)
- (72) Inventor: **William SteinKraus**, Fort Lee, NJ (US)
- (73) Assignee: **Gramercy Products, INC.**, Secaucus, NJ (US)
- (\*\*) Term: **15 Years**
- (21) Appl. No.: **29/643,298**
- (22) Filed: **Apr. 6, 2018**
- (51) **LOC (12) Cl.** ..... **30-99**
- (52) **U.S. Cl.**  
USPC ..... **D30/160**
- (58) **Field of Classification Search**  
USPC ..... D30/121, 160; D24/193-195, 211-214; D21/707-708, 713  
CPC .. A01K 15/024; A01K 15/025; A01K 15/026; A01K 15/027  
See application file for complete search history.

5,934,966 A	8/1999	Ward
6,003,470 A	12/1999	Budman
6,073,588 A	6/2000	McClung, III et al.
6,083,127 A	7/2000	O'Shea
6,089,938 A	7/2000	Spector
6,113,453 A	9/2000	Stuffelbeam
D433,719 S	11/2000	Hutchings
6,174,214 B1	1/2001	Cooper
6,390,879 B1	5/2002	Spector
D468,378 S	1/2003	Routzong
D479,897 S	9/2003	Willinger
6,622,659 B2	9/2003	Willinger
6,651,590 B2	11/2003	Willinger et al.
6,682,384 B2	1/2004	Wang
6,695,666 B2	2/2004	Nikonorov
6,739,934 B1	5/2004	Adler
6,918,809 B2	7/2005	Persall
6,939,191 B1	9/2005	Wu
D511,228 S	11/2005	Byrne

(Continued)

*Primary Examiner* — Janice Hallmark

(74) *Attorney, Agent, or Firm* — Thomas A. O'Rourke; Bodner & O'Rourke, LLP

(57) **CLAIM**

The ornamental design for a stick toy, as shown and described.

**DESCRIPTION**

FIG. 1 is a perspective view of the stick toy of the present invention.

FIG. 2 is a top view of the stick toy of FIG. 1.

FIG. 3 is a front view of the stick toy of FIG. 1.

FIG. 4 is a bottom view of the stick toy of FIG. 1.

FIG. 5 is a rear view of the stick toy of FIG. 1; and,

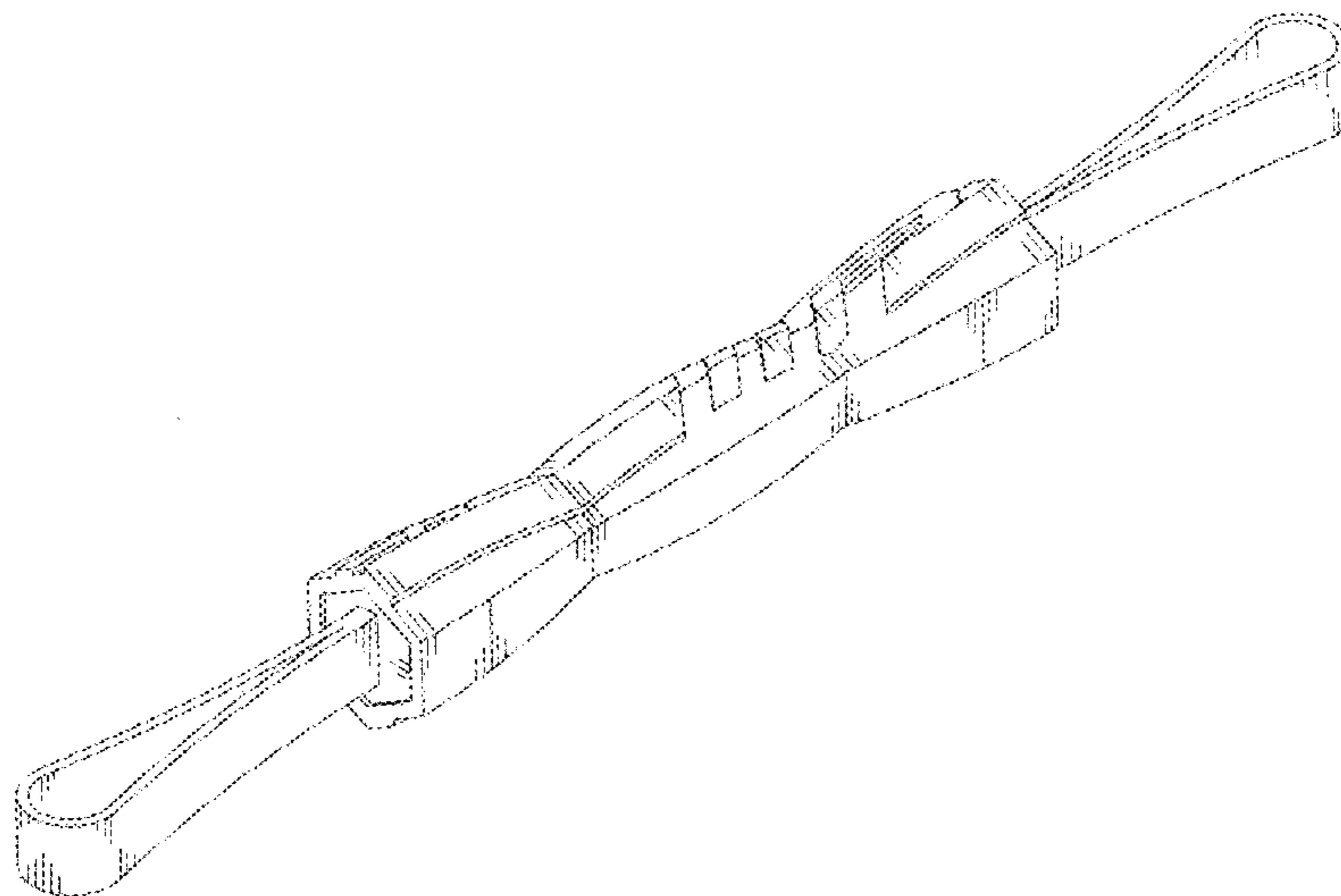
FIG. 6 is a right side view of the stick toy of FIG. 1. The left side view is substantially a mirror image of the right side view shown.

The broken lines depict portions of the stick toy that form no part of the claimed design.

**1 Claim, 2 Drawing Sheets**

(56) **References Cited**  
U.S. PATENT DOCUMENTS

2,867,425 A	1/1959	Teller
3,046,016 A	7/1962	Laws
D219,284 S	11/1970	Hunt
3,633,538 A	1/1972	Hoeflin
3,889,950 A	6/1975	Kasravi
4,002,893 A	1/1977	Newcomb
4,006,908 A	2/1977	Minami
4,297,809 A	11/1981	Branson
4,527,351 A	7/1985	Gerakiteys
5,358,440 A	10/1994	Zheng
5,611,532 A	3/1997	Forrest
5,810,636 A	9/1998	Harned
D402,318 S	12/1998	Dunipace
D408,482 S	4/1999	Morrison



(56)

**References Cited**

## U.S. PATENT DOCUMENTS

D512,541 S	12/2005	Byrne	
D513,545 S	1/2006	Byrne	
D516,276 S *	3/2006	Unlu .....	D1/199
7,096,826 B2	8/2006	Markham	
D544,155 S *	6/2007	Lamstein .....	D30/158
D548,409 S	8/2007	Renforth et al.	
D569,562 S	5/2008	Nazimek	
D571,061 S *	6/2008	Nazimek .....	A01K 15/025 D30/160
D597,263 S	7/2009	Nazimek	
D637,773 S	5/2011	Tsengas	
D640,329 S	6/2011	Oblack et al.	
7,976,355 B2	7/2011	McAnulty	
8,241,153 B2	8/2012	Williams	
8,348,713 B2	1/2013	Groft et al.	
8,402,923 B2	3/2013	Jager	
D680,280 S	4/2013	Nielsen	
8,474,410 B2	7/2013	Oblack et al.	
2002/0111105 A1	8/2002	Silvergate	
2003/0184013 A1	10/2003	Chodosh	
2003/0232565 A1	12/2003	Silvergate	
2004/0083983 A1	5/2004	Markham	
2004/0089245 A1	5/2004	Markham	
2004/0166764 A1	8/2004	Stark	
2004/0259460 A1	12/2004	Persall	
2006/0073758 A1	4/2006	Goodwin	
2006/0141896 A1	6/2006	Owens	
2009/0176435 A1	7/2009	Stark	

\* cited by examiner

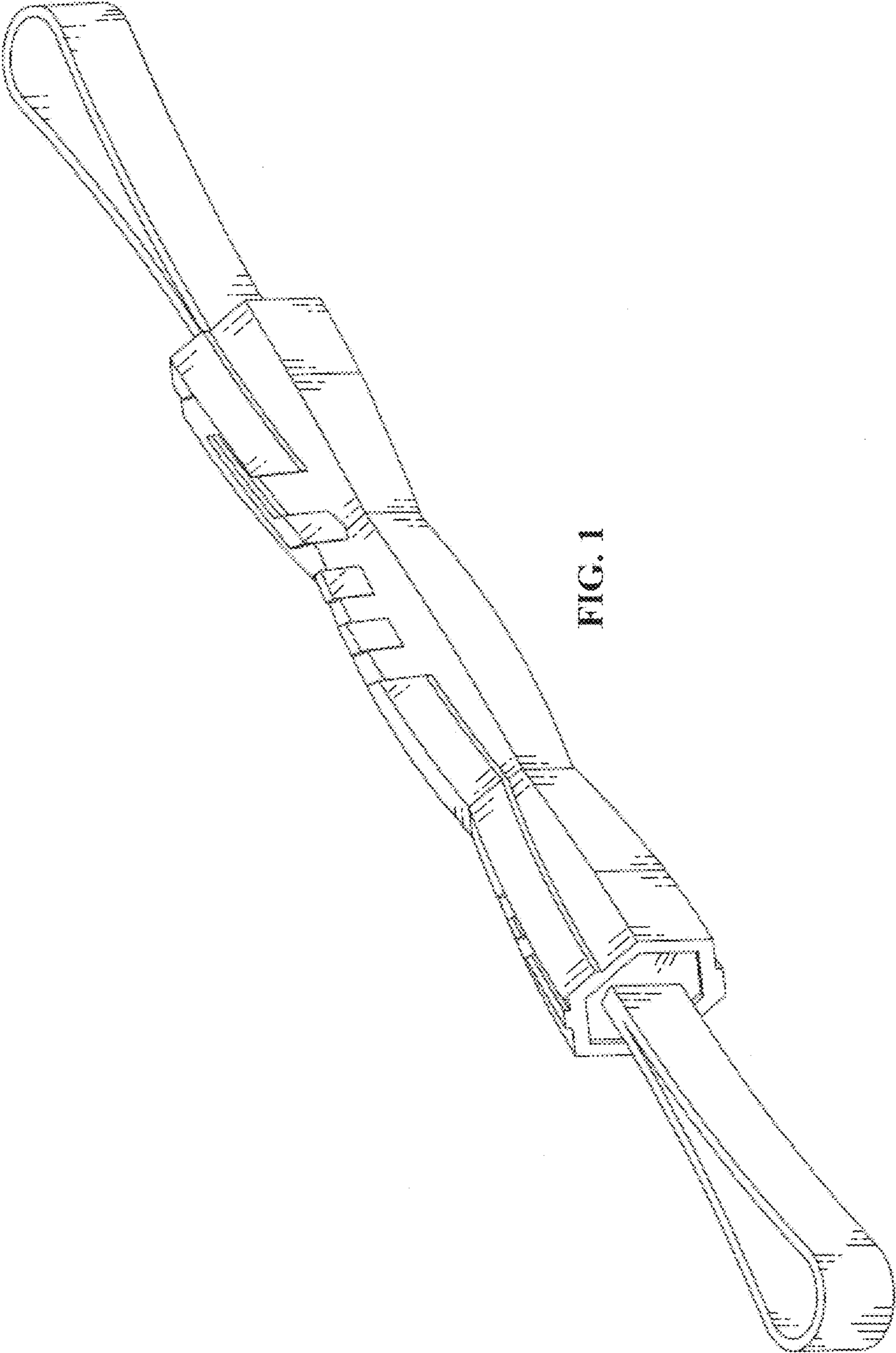


FIG. 1

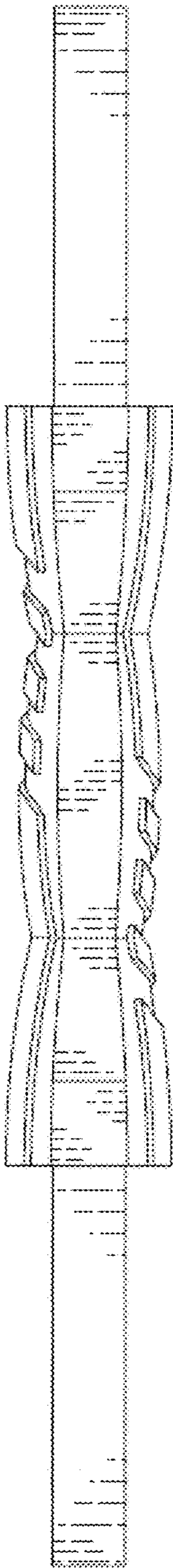


FIG. 2

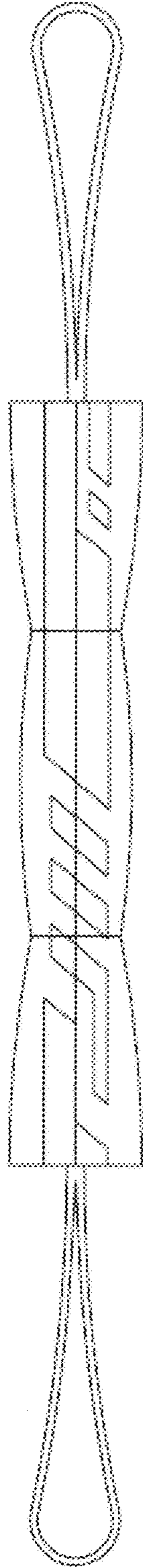


FIG. 3

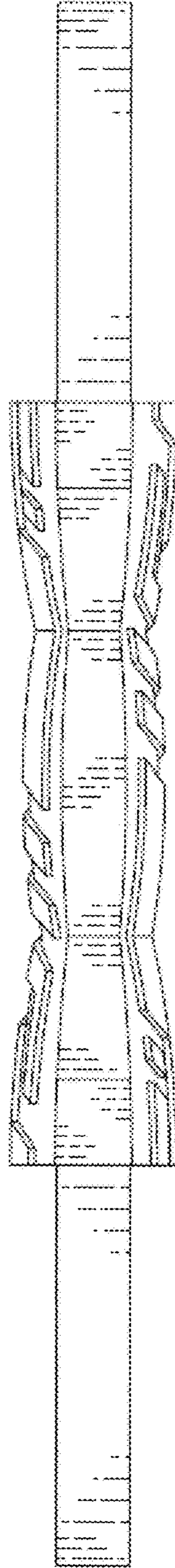


FIG. 4

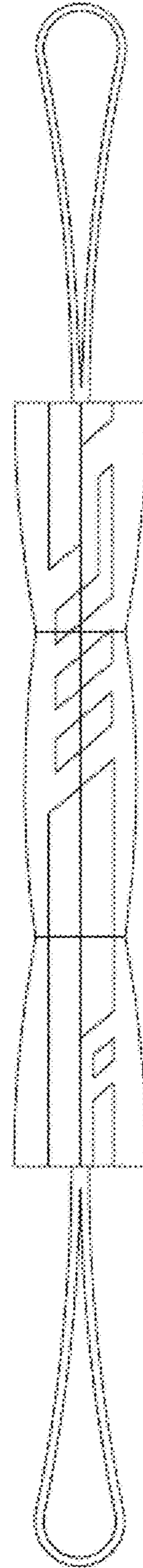


FIG. 5

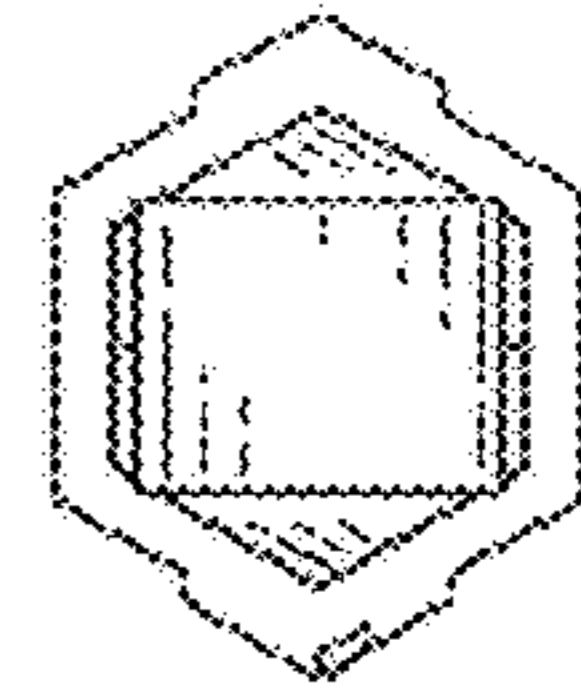


FIG. 6