



US00D856604S

(12) **United States Design Patent**
Peart

(10) **Patent No.:** **US D856,604 S**

(45) **Date of Patent:** **** Aug. 13, 2019**

- (54) **PET BOWL**
- (71) Applicant: **Justin Banker Peart**, Clarendon Hills, IL (US)
- (72) Inventor: **Justin Banker Peart**, Clarendon Hills, IL (US)
- (**) Term: **15 Years**
- (21) Appl. No.: **29/636,337**
- (22) Filed: **Feb. 7, 2018**
- (51) **LOC (12) Cl.** **30-03**
- (52) **U.S. Cl.**
USPC **D30/129**
- (58) **Field of Classification Search**
USPC D30/121, 122, 129-133; 119/61.5, 51.01, 119/61.56, 51.03, 59, 62, 63, 51.5, 57.8, 119/74, 61.54, 61.55; 312/204; 248/151, 248/188; 108/156, 153.1-157; 220/23.87, 630, 737, 743, 9.4, 495.01, 220/574, 212, 255, 23.83; 206/515; D7/586, 543, 550.1, 587, 505, 584, 545, D7/500, 553.1-553.8, 546, 555, 556, 504, D7/565, 562, 602; D9/429; 43/109; D22/122; 99/430, DIG. 15
CPC A01K 5/0114; A01K 5/01; A01K 5/0135; A01K 7/005; A01K 7/00; A01K 7/02; A01K 5/0142; A01K 5/0121; A01K 5/0128; A01K 27/004; A01K 39/014; A01K 39/00; A01K 39/02; A01K 39/0113; A47J 43/0727; A01M 29/34; B29C 65/48; B65D 81/36
See application file for complete search history.

- D28,205 S * 1/1898 Elmberg D21/340
- 1,002,509 A * 9/1911 Fitz A61J 19/00
4/258
- 1,368,425 A * 2/1921 Escobar A63F 7/041
273/113
- 2,011,266 A * 8/1935 Boynton A63F 7/041
273/153 R
- 3,260,236 A * 7/1966 Jones A01K 1/031
119/417
- 3,552,750 A * 1/1971 Lomberk et al. A63F 7/044
273/112
- 3,625,516 A * 12/1971 Handweiler A63F 7/041
273/153 R
- 3,731,933 A * 5/1973 Grant A63F 7/041
273/113
- D228,005 S * 7/1973 Stubbmann 273/153 R
- 3,747,930 A * 7/1973 Barlow A63F 7/041
273/110
- 3,785,651 A * 1/1974 Smith A63F 9/0078
273/113
- 3,811,676 A * 5/1974 Greenberg A63F 7/041
273/110

(Continued)

Primary Examiner — Susan Moon Lee

(57) **CLAIM**

I claim the ornamental design for a pet bowl, as shown and described.

DESCRIPTION

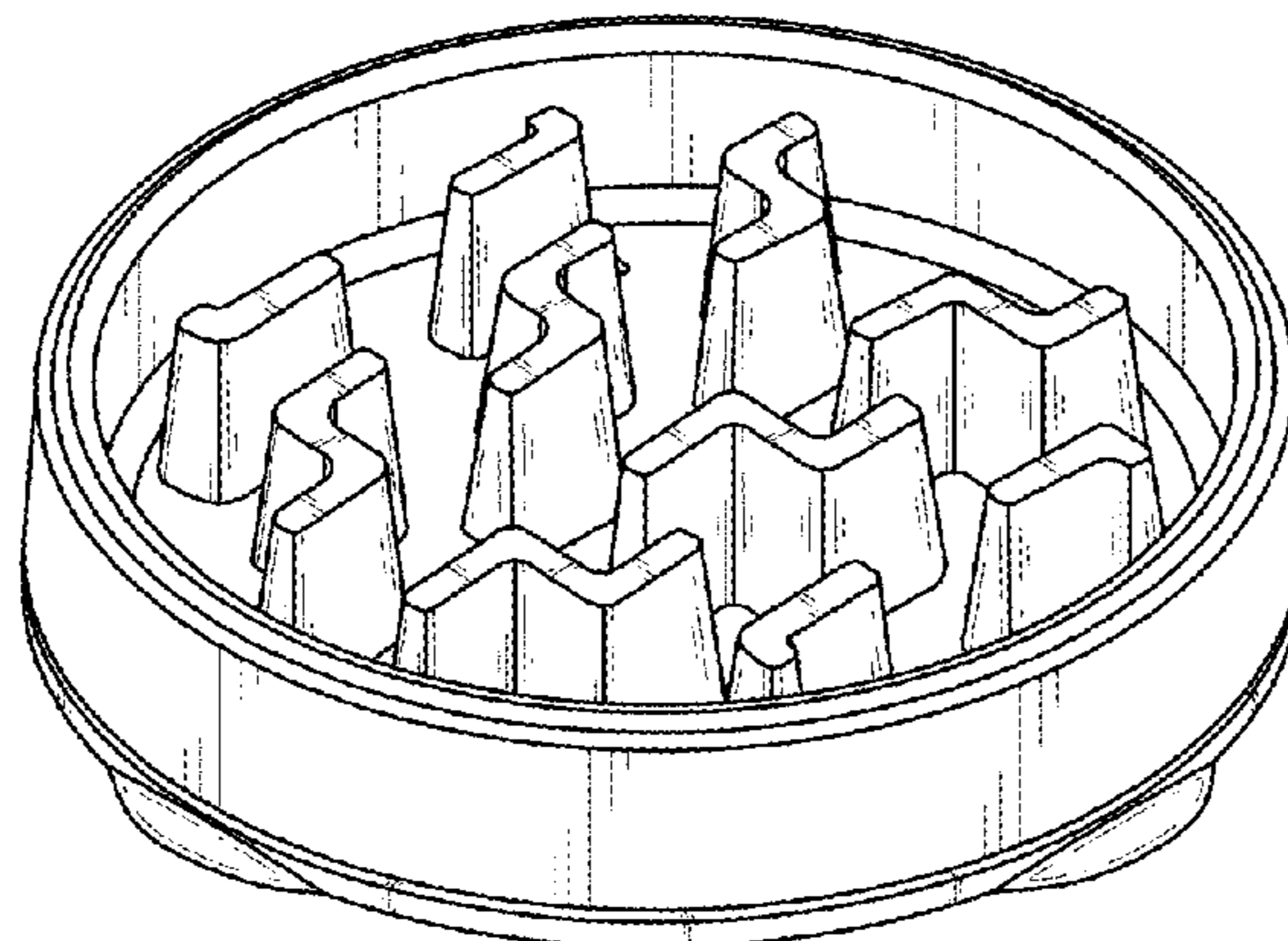
FIG. 1 is a perspective view showing my design for a pet bowl;
 FIG. 2 is a top plan view thereof;
 FIG. 3 is an underside view thereof;
 FIG. 4 is an east side elevation view thereof;
 FIG. 5 is a west side elevation view thereof;
 FIG. 6 is a north side elevation view thereof; and,
 FIG. 7 is a south side elevation view thereof.

1 Claim, 5 Drawing Sheets

(56) **References Cited**

U.S. PATENT DOCUMENTS

- 556,152 A * 3/1896 Lawrence A63F 7/041
273/111
- 570,858 A * 11/1896 Waddel A63F 7/044
273/113



(56)

References Cited

U.S. PATENT DOCUMENTS

3,829,096 A * 8/1974 Gioia A63F 7/041
273/110
3,857,364 A * 12/1974 Miller, Jr. A01K 1/031
119/417
4,008,895 A * 2/1977 Reiner A63F 7/042
273/113
D245,436 S * 8/1977 Zelenko D21/340
4,055,341 A * 10/1977 Martinez A63F 7/386
273/110
D250,286 S * 11/1978 Zelenko D21/340
4,248,427 A * 2/1981 Vierimaa A63F 7/02
273/110
4,251,075 A * 2/1981 Jaworski A63F 7/041
273/113
D261,911 S * 11/1981 Mayuzumi D21/340
4,332,385 A * 6/1982 McCaslin A63F 7/041
273/113
D275,210 S * 8/1984 Matsumoto D21/329
4,542,713 A * 9/1985 Hansen A01K 1/031
119/417
D297,023 S * 8/1988 Black D21/340
5,205,558 A * 4/1993 Wilson A63F 7/042
273/113
5,314,181 A * 5/1994 Lin A63F 7/041
273/109
5,906,373 A * 5/1999 Sanders A63B 67/00
273/349
6,220,917 B1 * 4/2001 Nelson A63H 33/00
273/115
7,264,155 B2 * 9/2007 Halbur A63F 7/041
235/380
D590,109 S * 4/2009 Anderson D30/129
D600,861 S * 9/2009 Sin D30/129

D606,277 S * 12/2009 Hachmann D1/106
D609,089 S * 2/2010 Knox, Jr. D9/432
D613,330 S * 4/2010 Ho D18/2
8,087,528 B1 * 1/2012 Scarlett A47G 23/0216
220/23.89
D654,230 S * 2/2012 Tedaldi D30/129
D698,095 S * 1/2014 Paculdo D30/121
D698,096 S * 1/2014 Paculdo D30/121
D699,009 S * 2/2014 Hansen D30/121
D705,999 S * 5/2014 Hansen D30/121
D706,000 S * 5/2014 Martinez D30/121
D706,001 S * 5/2014 Hansen D30/121
D706,493 S * 6/2014 Hansen D30/121
D706,494 S * 6/2014 Hansen D30/121
D706,495 S * 6/2014 Hansen D30/121
8,899,180 B2 * 12/2014 Lindskov A01K 5/0114
119/61.1
D732,421 S * 6/2015 Cordova D11/164
D769,546 S * 10/2016 Hansen D30/121
9,861,885 B2 * 1/2018 Wertz A63F 7/041
D819,278 S * 5/2018 Watanabe D30/129
D833,086 S * 11/2018 Hansen D30/121
2005/0167909 A1 * 8/2005 Race A63F 7/041
273/110
2010/0003374 A1 * 1/2010 Hachmann A23G 3/50
426/104
2010/0109240 A1 * 5/2010 Ingman, Sr. A63F 9/0078
273/153 R
2011/0018197 A1 * 1/2011 Black A63F 7/041
273/153 S
2014/0196671 A1 * 7/2014 Taylor A01K 15/025
119/707
2016/0144272 A1 * 5/2016 Flesher A63F 9/001
40/124.03
2018/0256968 A1 * 9/2018 Aronson A63F 7/044

* cited by examiner

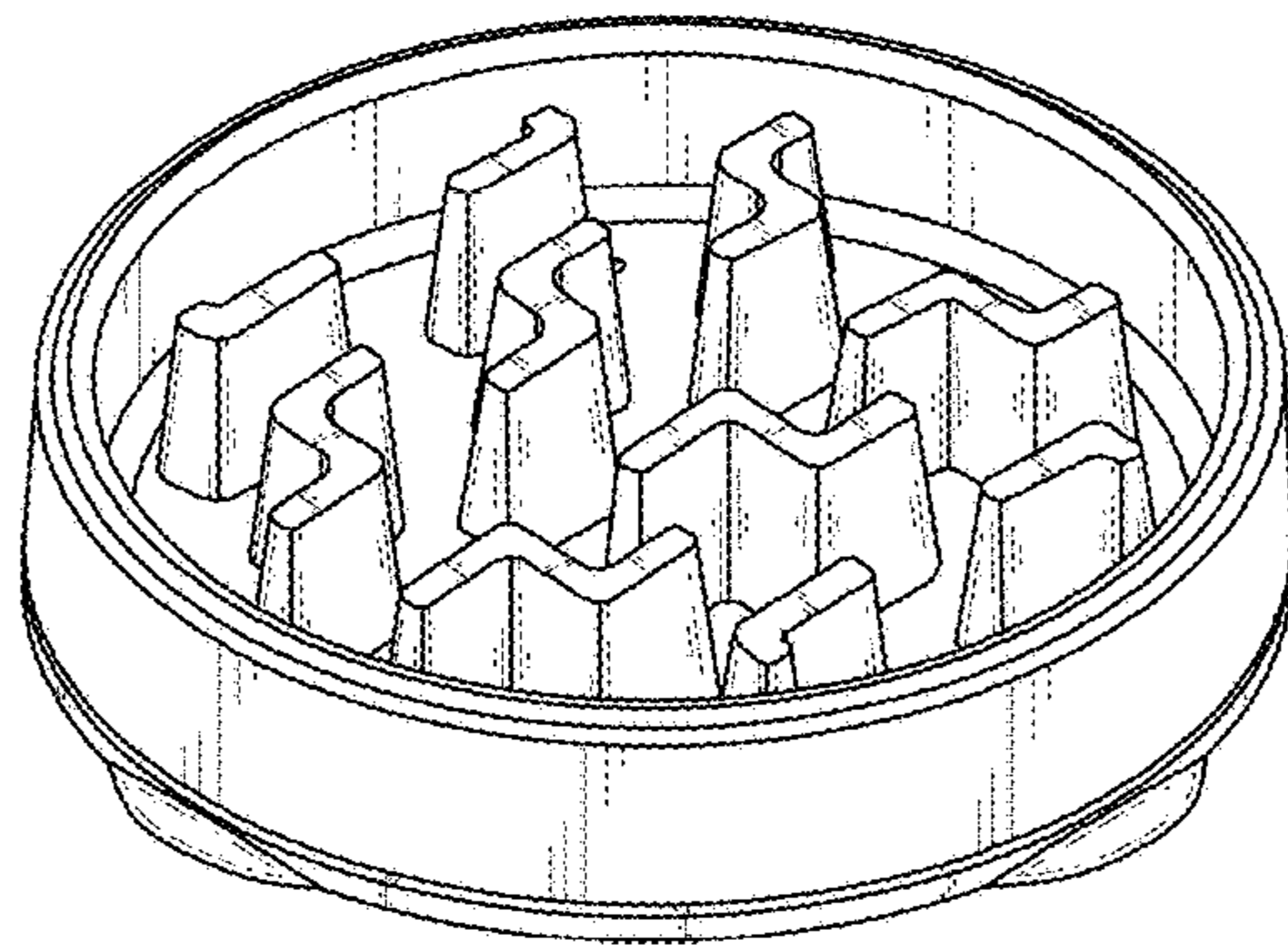


FIG. 1

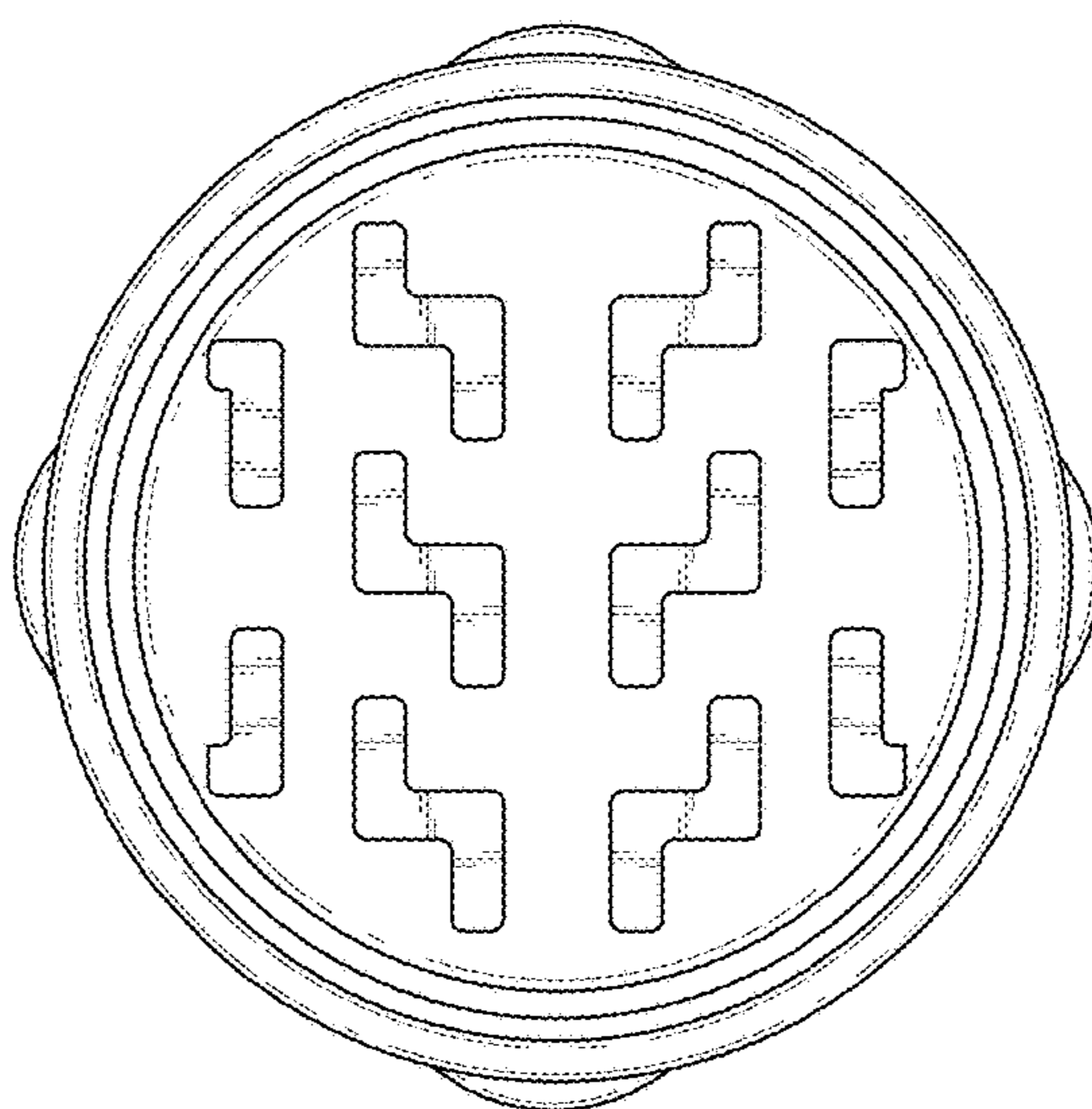


FIG. 2

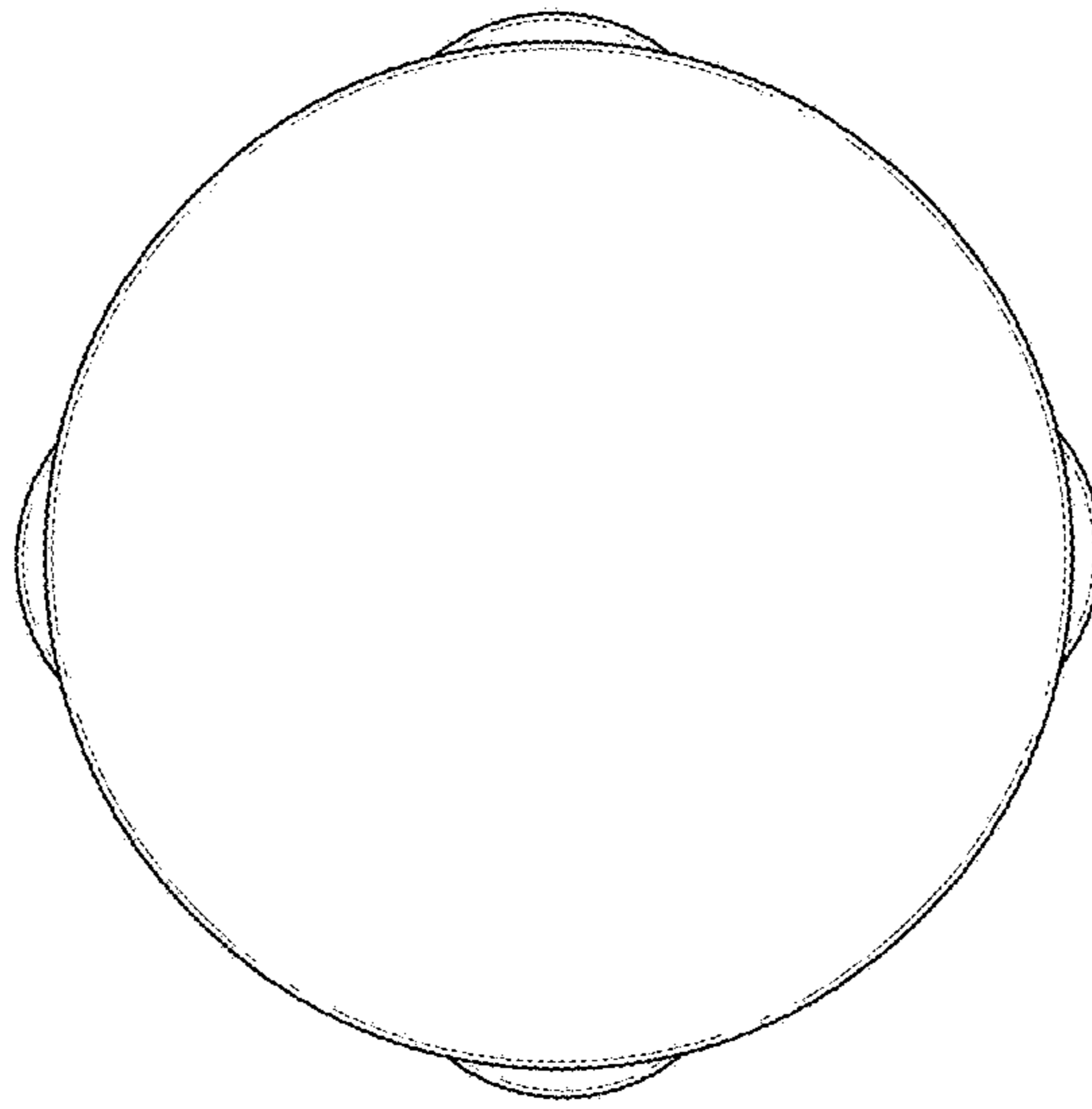


FIG. 3

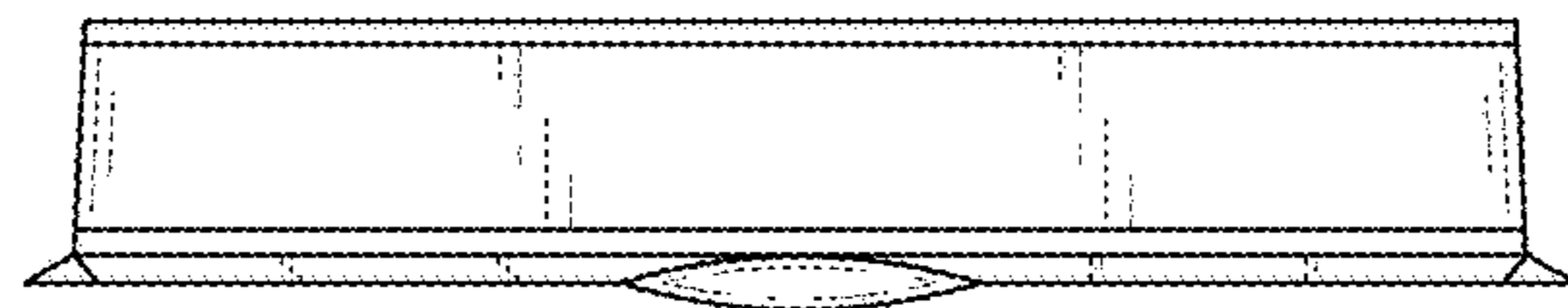


FIG. 4



FIG. 5

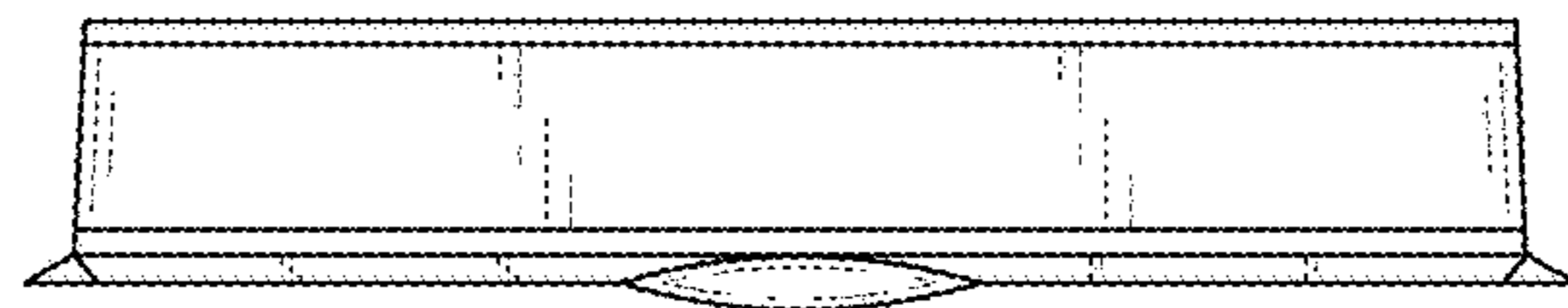


FIG. 6



FIG. 7