



US00D856603S

(12) **United States Design Patent** (10) **Patent No.:** **US D856,603 S**
Hong (45) **Date of Patent:** **** Aug. 13, 2019**

(54) **AUTOMATIC FEEDER FOR PETS**

(71) Applicant: **Young Jun Hong**, Goyang-si (KR)

(72) Inventor: **Young Jun Hong**, Goyang-si (KR)

(**) Term: **15 Years**

(21) Appl. No.: **29/638,603**

(22) Filed: **Feb. 28, 2018**

(30) **Foreign Application Priority Data**

Sep. 5, 2017 (KR) 30-2017-0041431

(51) **LOC (12) Cl.** **30-07**

(52) **U.S. Cl.**
USPC **D30/122**

(58) **Field of Classification Search**

USPC D30/121, 122, 129-133; 119/61.5, 51.01, 119/61.56, 51.03, 59, 62, 63, 51.5, 57.8, 119/74, 61.54, 61.55, 53, 53.5, 75, 56.2, 119/51.02, 51.11, 51.12, 57.1, 52.1, 515; 312/204; 248/151, 188; 108/156, 108/153.1-157; 220/23.87, 630, 737, 220/743, 9.4, 495.01, 574, 212, 255, 220/23.83; 206/515; D7/586, 543, D7/550.1, 587, 505, 584, 545, 500, D7/553.1-553.8, 546, 555, 556, 504, 565, D7/562, 602, 605, 312, 313, 320, 307, D7/306, 309, 354, 311, 399, 397, 323, D7/332, 331, 347, 346, 322, 318, 317, D7/316, 619.1; D9/429; 43/109; D22/122; 99/430, DIG. 15, 280, 285, 99/312; 222/209, 131, 363, 349, 517, 222/153.13, 401, 1, 146.5, 23, 54, 64, 51, 222/156, 399, 400.8; 219/438, 439, 441, 219/385, 386, 402, 407; 210/94, 184, 210/474, 477; D34/7-10, 1; D14/300, D14/301, 302, 308, 314, 356-359, 363, D14/370, 420, 421, 439, 172, 188, 203.1, D14/204, 214, 221, 242, 299, 168, 197, D14/205, 210; D15/122, 135; D18/50

CPC A01K 5/02; A01K 5/0225; A01K 5/0114; A01K 5/025; A01K 5/0266; A01K 5/0275; A01K 5/0283; A01K 5/0291; A01K 5/0258; A01K 7/00; G01F 11/24; G01F 23/02; B67D 1/0425; B67D 1/04; B67D 1/00; B67D 1/02; B67D 1/0871; B67D 1/0802; A47J 41/0033; A47J 41/005; A47J 41/0088; A47J 41/0094; A47J 31/04; A47J 31/053; B05B 11/00; B05B 11/0002; B05B 11/0005; B05B 11/001; C02F 1/003; C02F 1/283; C02F 2307/02

See application file for complete search history.

(56) **References Cited**

U.S. PATENT DOCUMENTS

D164,576 S * 9/1951 Hedwall D30/122
D204,369 S * 4/1966 Lepper D30/122
D249,284 S * 9/1978 Hericourt D30/122
D278,811 S * 5/1985 White D14/211

(Continued)

Primary Examiner — Susan Moon Lee

(74) *Attorney, Agent, or Firm* — Lex IP Meister, PLLC

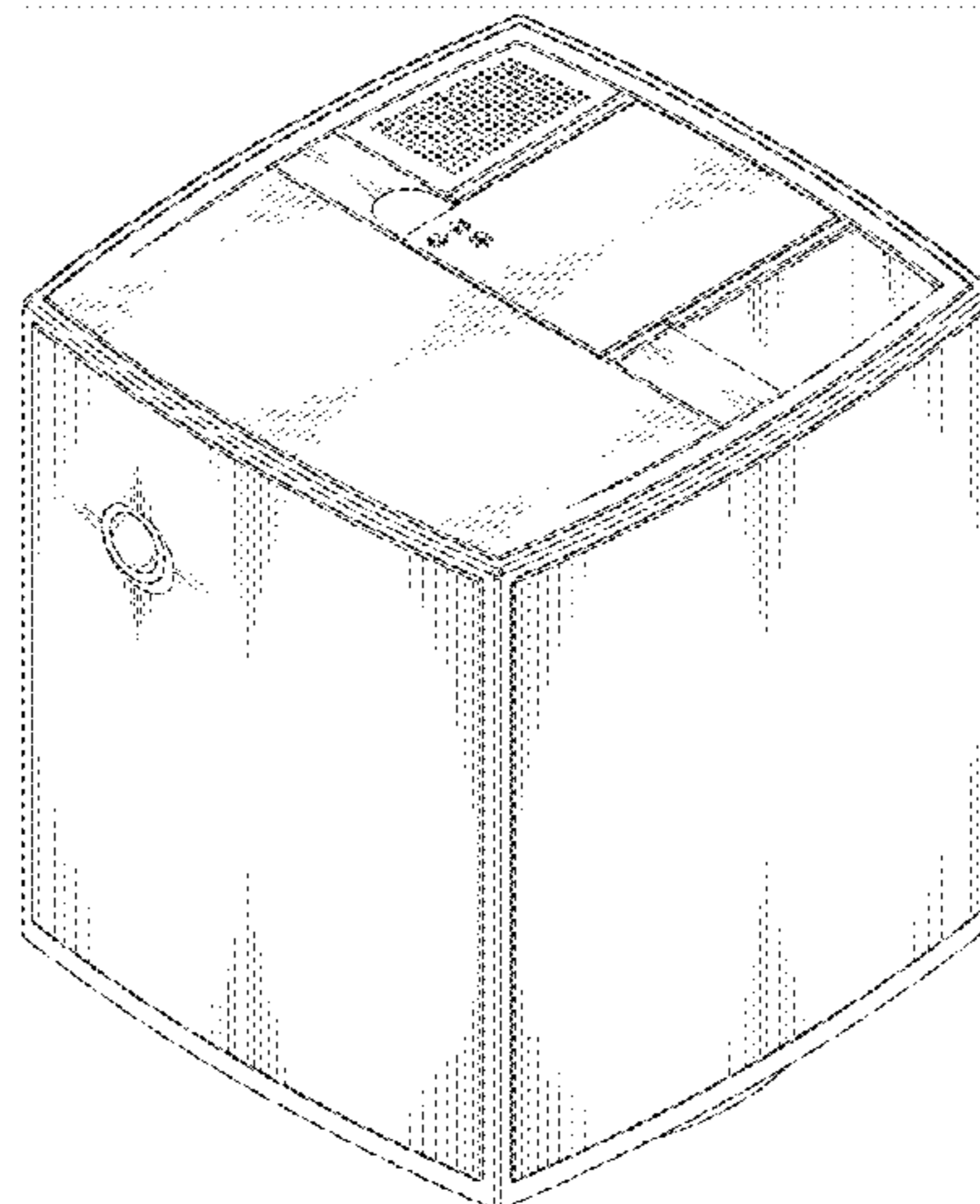
(57) **CLAIM**

The ornamental design for an automatic feeder for pets, as shown and described.

DESCRIPTION

FIG. 1 is a top perspective view of an Automatic Feeder for Pets showing my new design;
FIG. 2 is a front elevational view thereof;
FIG. 3 is a rear elevational view thereof;
FIG. 4 is a left side elevational view thereof;
FIG. 5 is a right side elevational view thereof;
FIG. 6 is a top plan view thereof;
FIG. 7 is a bottom plan view thereof;
FIG. 8 is a side perspective view thereof; and,
FIG. 9 is a bottom perspective view thereof.

1 Claim, 9 Drawing Sheets



(56)

References Cited

U.S. PATENT DOCUMENTS

D298,943 S * 12/1988 Haager D14/311
 D341,827 S * 11/1993 Lai D14/308
 D432,160 S * 10/2000 Kabumoto D18/37
 D458,911 S * 6/2002 Kataoka D14/129
 D461,187 S * 8/2002 Andre D14/356
 D526,640 S * 8/2006 Chin D14/188
 D551,652 S * 9/2007 Nakamura D14/168
 D556,387 S * 11/2007 Petersen D30/121
 D598,906 S * 8/2009 Chiba D14/240
 D602,019 S * 10/2009 Wang D14/356
 D622,451 S * 8/2010 Yang D30/121
 D629,827 S * 12/2010 Morenstein D16/221
 D646,665 S * 10/2011 Iijima D14/214
 D654,473 S * 2/2012 Paddock D14/214
 D690,280 S * 9/2013 Schul D14/168
 D695,707 S * 12/2013 Szymanski D14/214
 D695,708 S * 12/2013 Szymanski D14/214
 D695,709 S * 12/2013 Szymanski D14/214
 D695,711 S * 12/2013 Szymanski D14/214
 D698,869 S * 2/2014 Strzelewicz D21/499
 D699,400 S * 2/2014 Itzhak-Sigron D30/121
 D707,202 S * 6/2014 McManigal D14/214
 D711,463 S * 8/2014 Costabeber D14/300

D722,053 S * 2/2015 Wang D14/358
 D724,563 S * 3/2015 Kim D14/214
 D725,624 S * 3/2015 Carney D14/140
 D727,875 S * 4/2015 Park D14/214
 D732,158 S * 6/2015 Salmon D24/110
 D734,446 S * 7/2015 Salmon D24/108
 D734,814 S * 7/2015 Yeh D18/50
 D741,848 S * 10/2015 Kuo D14/308
 D741,849 S * 10/2015 Lee D14/308
 D741,850 S * 10/2015 Cheng D14/308
 D753,812 S * 4/2016 Salmon D24/110
 D754,102 S * 4/2016 Sun D14/214
 D758,345 S * 6/2016 Fujioka D14/214
 D760,691 S * 7/2016 Paslawski D14/214
 D763,818 S * 8/2016 Yang D14/204
 D770,545 S * 11/2016 Olive D15/122
 D785,068 S * 4/2017 Patsis D16/200
 D785,365 S * 5/2017 Newlin D6/526
 D787,574 S * 5/2017 Lee D15/122
 D789,907 S * 6/2017 Summerson D14/204
 D809,574 S * 2/2018 Lin D15/122
 D810,156 S * 2/2018 Lin D15/135
 D826,296 S * 8/2018 Noorazar D15/122
 D835,162 S * 12/2018 Reches D15/122
 D837,211 S * 1/2019 Peng D14/365

* cited by examiner

FIG. 1

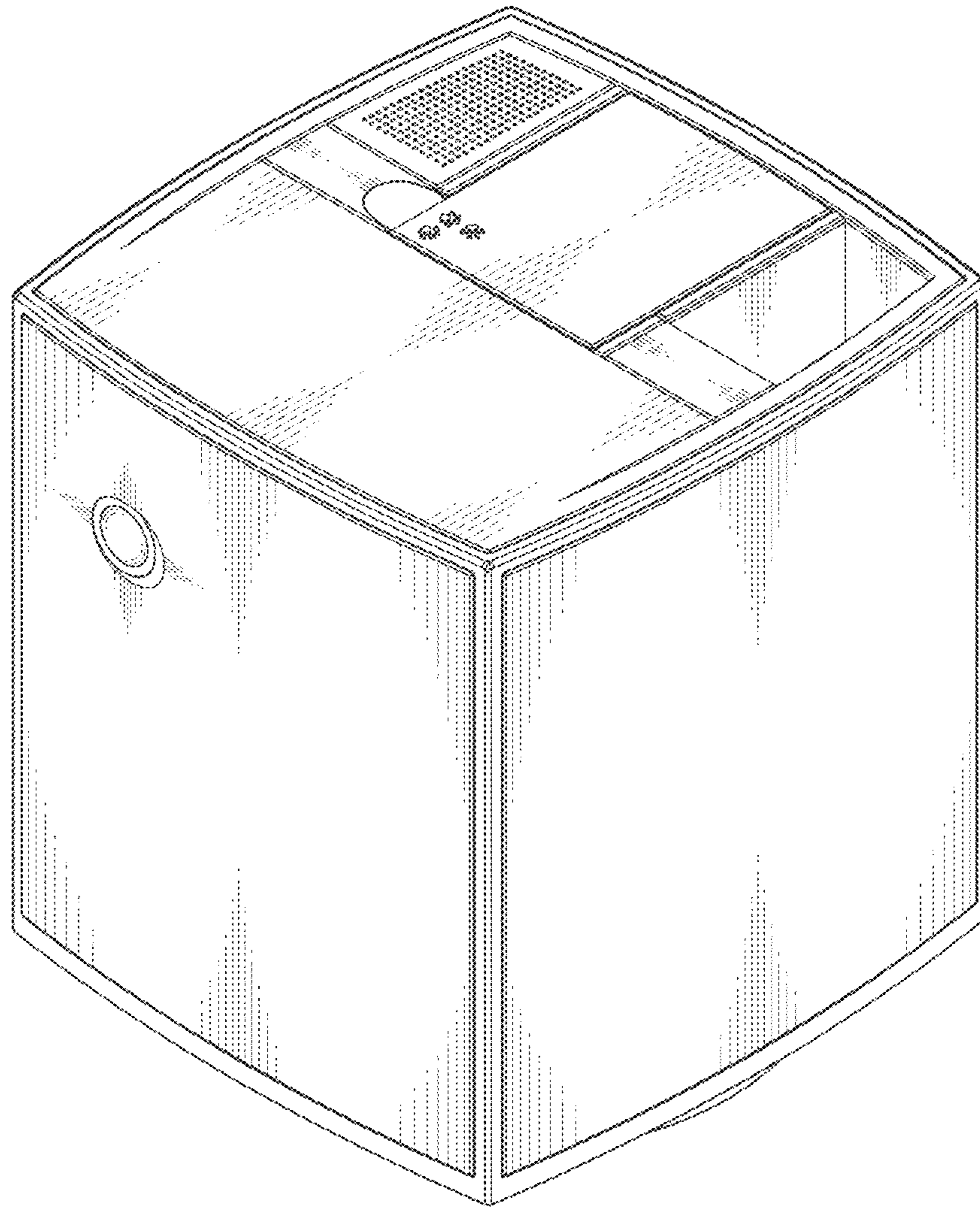


FIG. 2

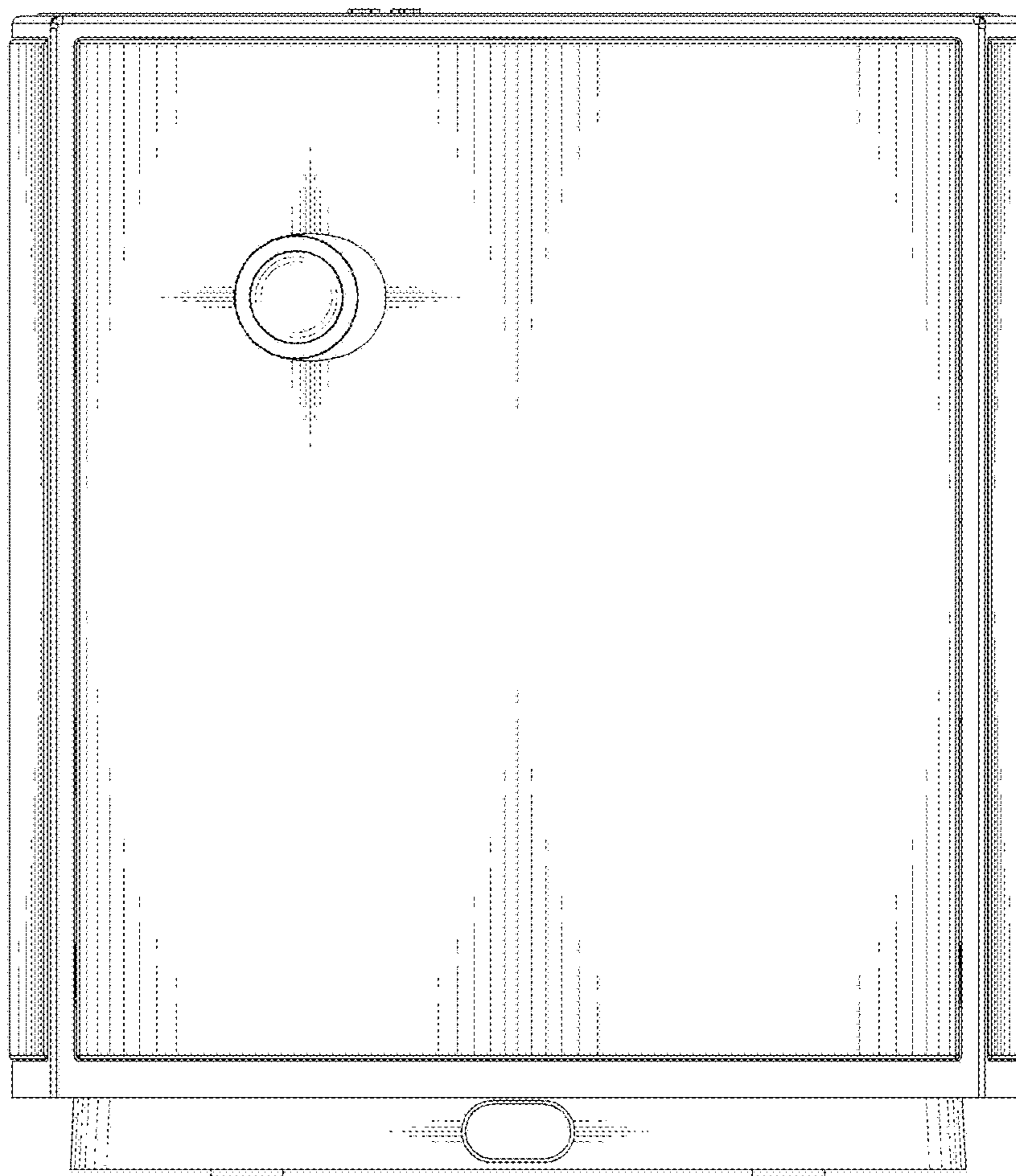


FIG. 3

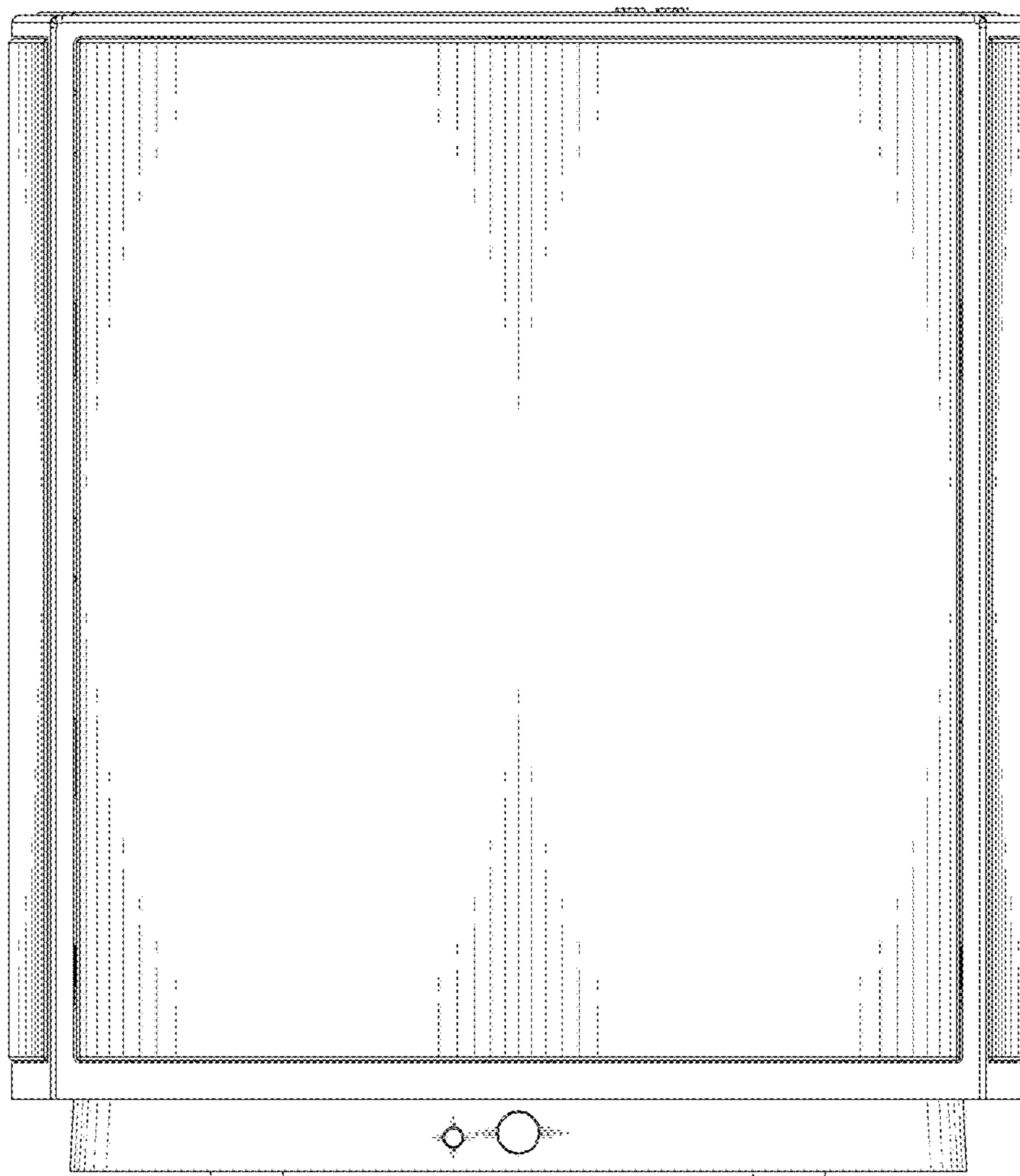


FIG. 4

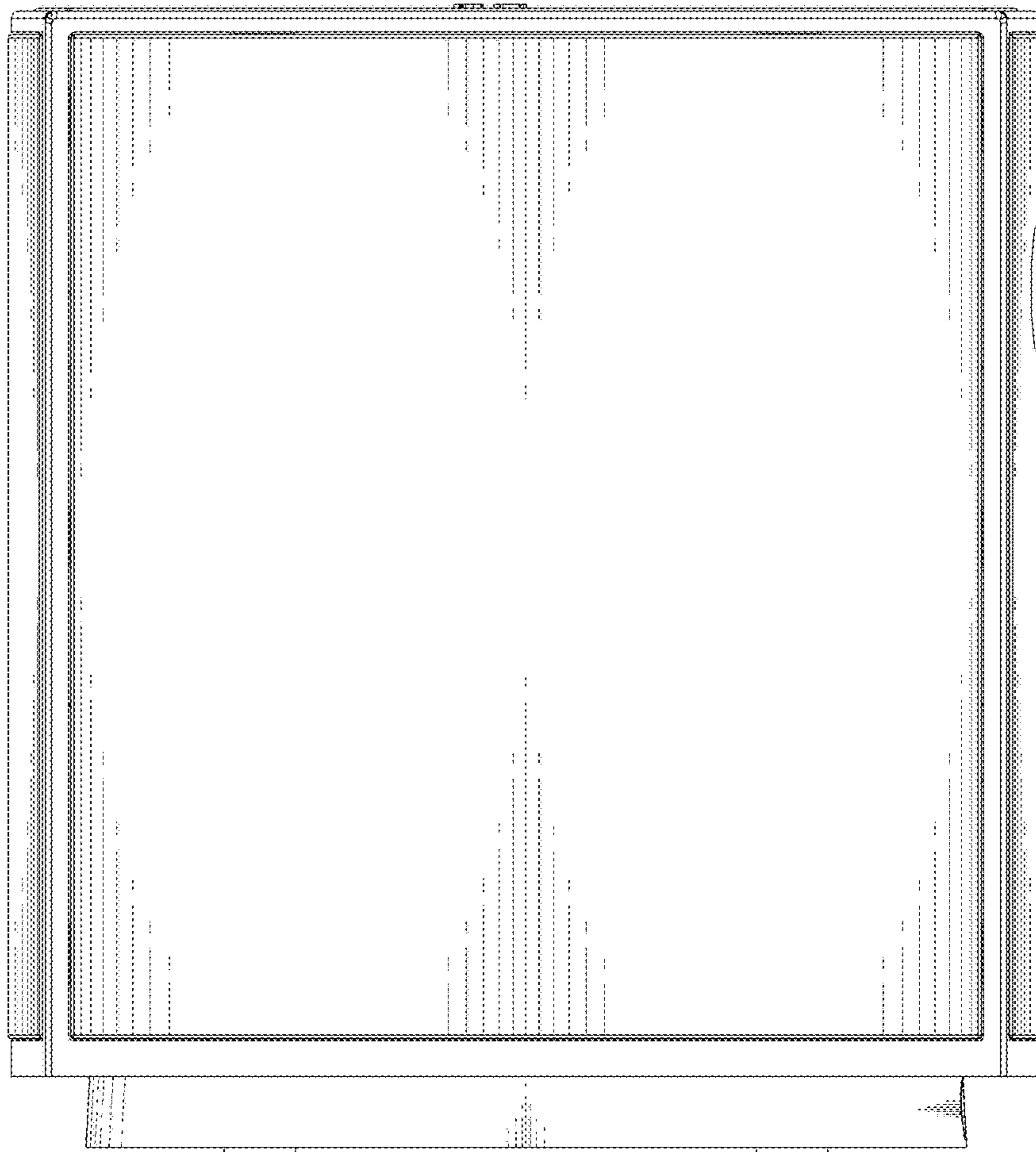


FIG. 5

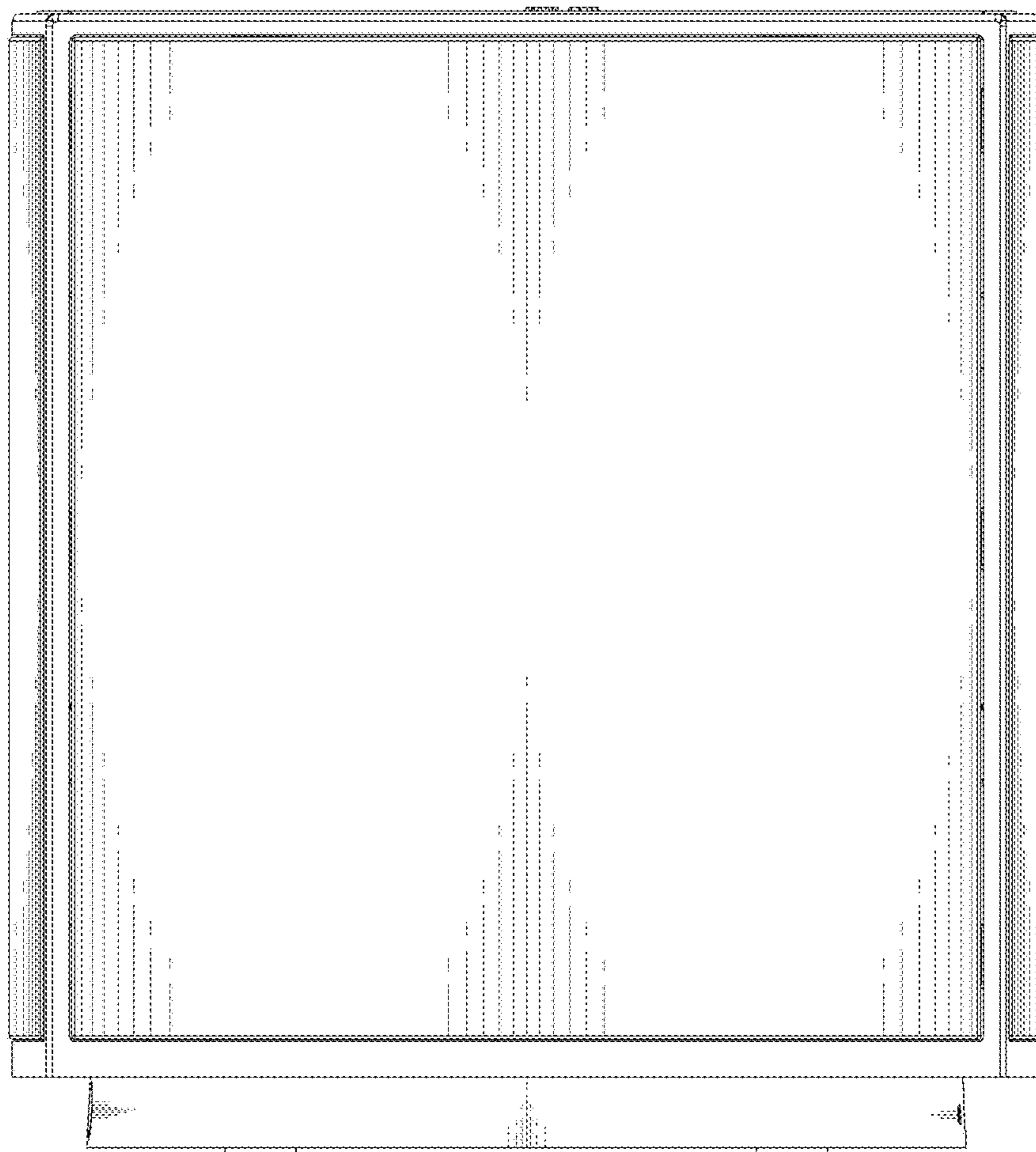


FIG. 6

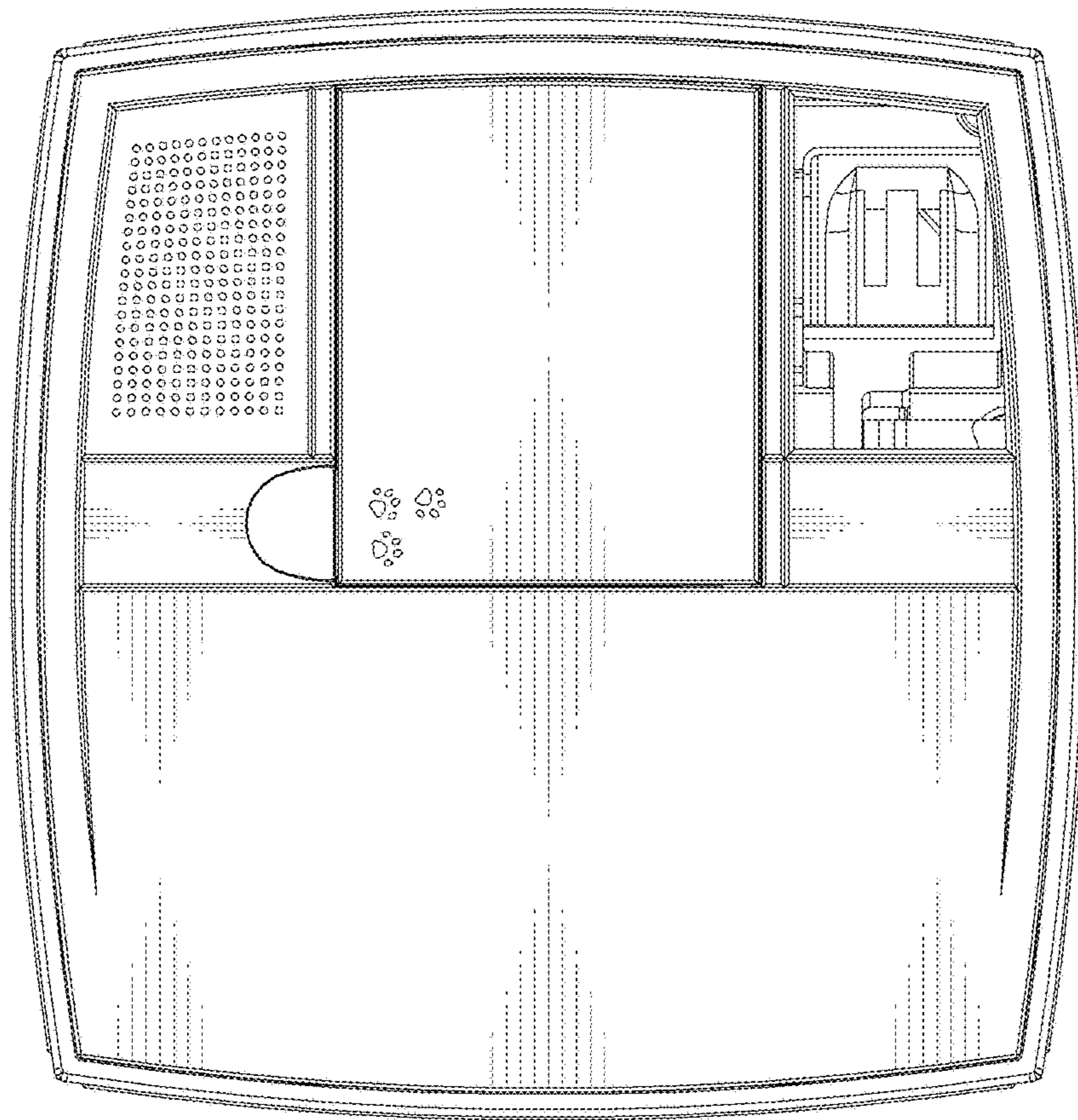


FIG. 7

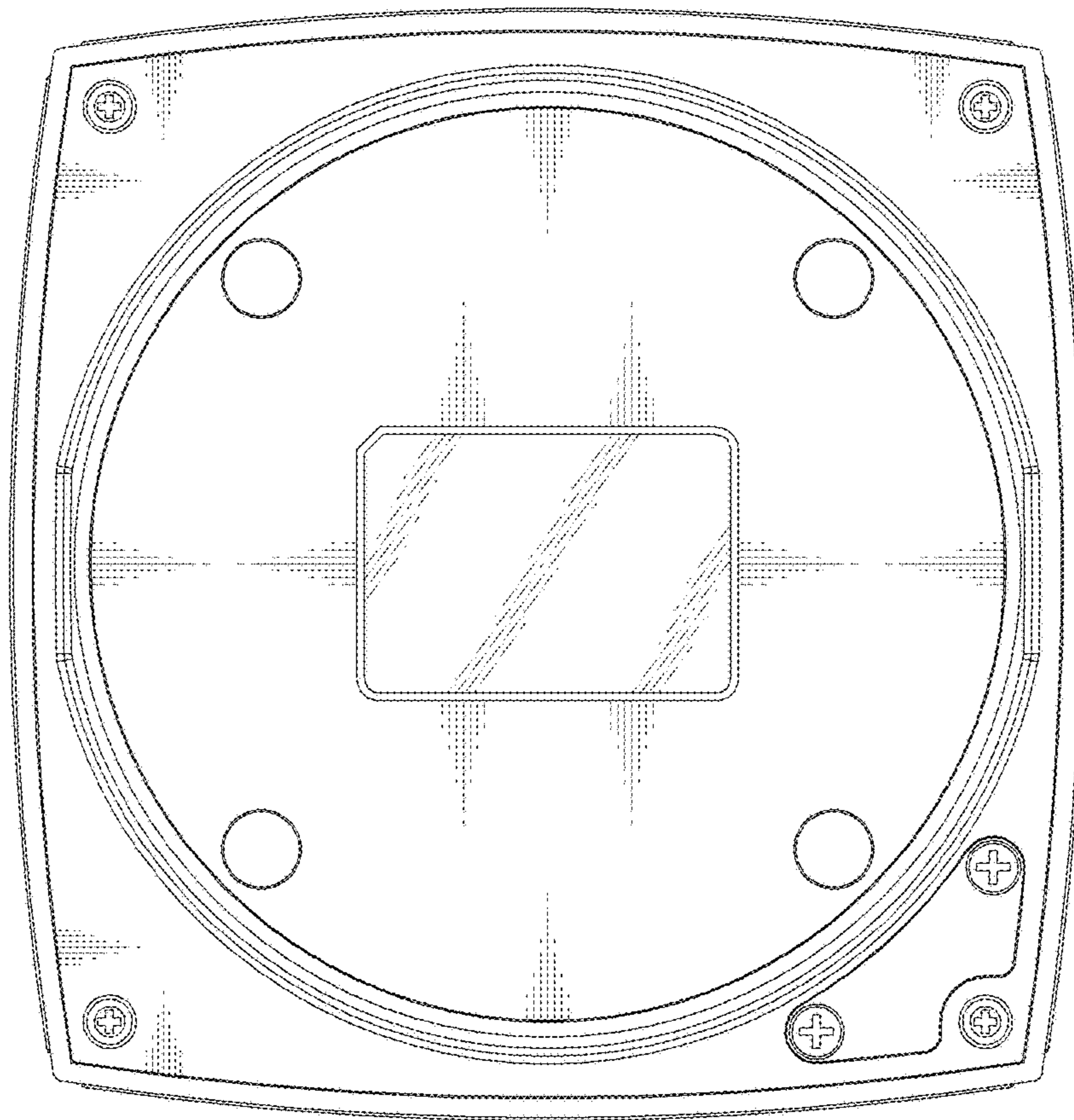


FIG. 8

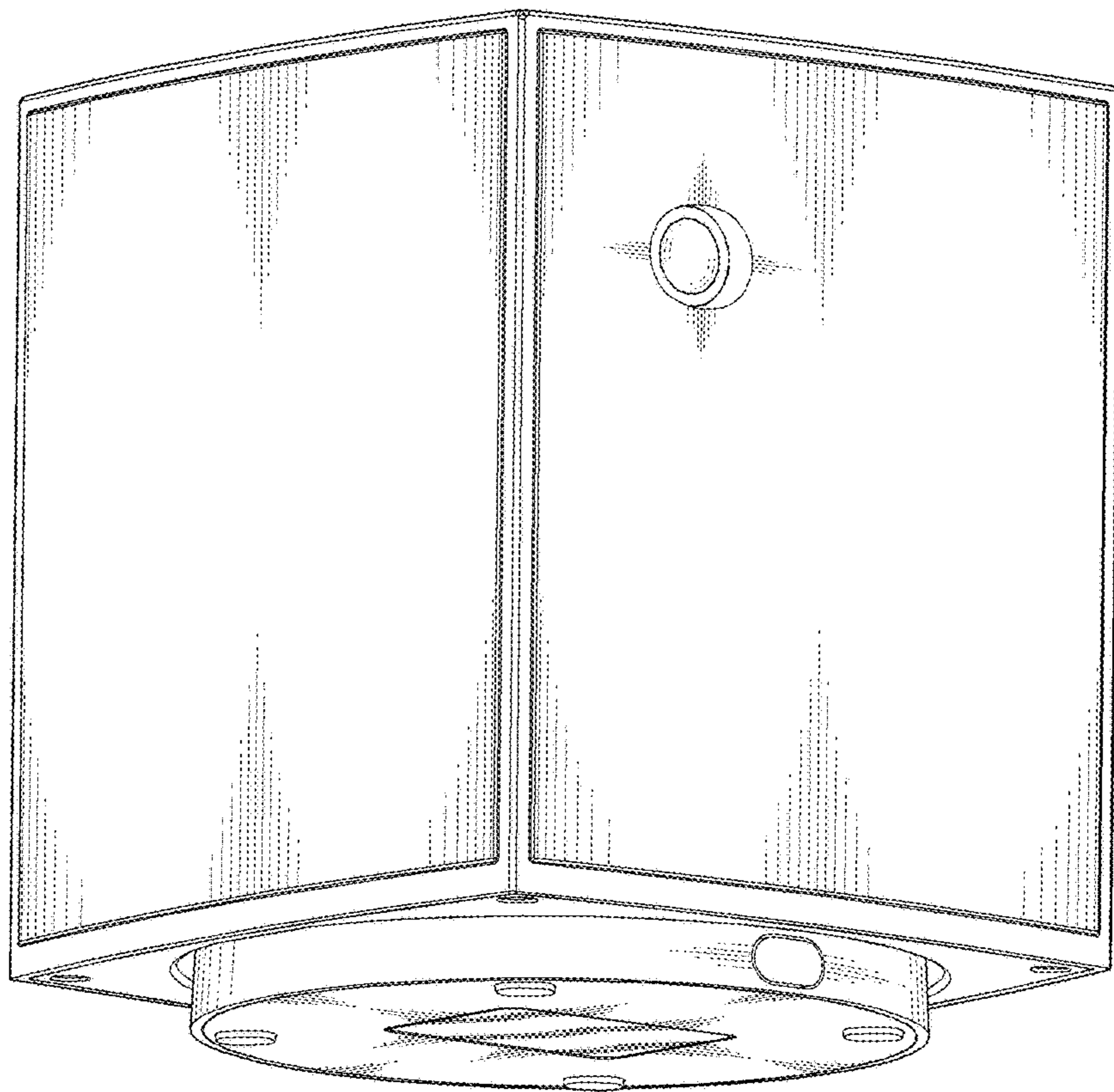


FIG. 9

