



US00D856602S

(12) **United States Design Patent** (10) **Patent No.:** **US D856,602 S**
Lu (45) **Date of Patent:** **** Aug. 13, 2019**

(54) **PET CARRIER**

(71) Applicant: **Kongzhi Lu**, Fujian (CN)

(72) Inventor: **Kongzhi Lu**, Fujian (CN)

(73) Assignee: **Xiamen Sunnypet Products Co., Ltd.**,
Xiamen, Fujian (CN)

(**) Term: **15 Years**

(21) Appl. No.: **29/640,621**

(22) Filed: **Mar. 15, 2018**

(30) **Foreign Application Priority Data**

Nov. 12, 2017 (CN) 2017 3 0584965

(51) **LOC (12) Cl.** **30-02**

(52) **U.S. Cl.**
USPC **D30/109**

(58) **Field of Classification Search**

USPC D30/108-120; D3/201, 203.1, 203.6,
D3/203.7, 213, 216, 217, 232, 235, 242,
D3/243, 245-246, 273, 276, 269, 271.2,
D3/274, 283, 289-290, 301, 303, 900,
D3/902, 904

CPC ... A01K 1/00; A01K 1/01; A01K 1/02; A01K
1/03; A01K 5/00; A01K 29/00; A01K
31/00; A01K 31/06; A01K 31/07; A01K
31/08; A01K 31/14; A01K 31/18; A47K
11/02; A45C 3/00; A45C 3/06; A45C
2003/008; A45C 2003/007; A45F 3/00;
A45F 3/04; A45F 3/02

See application file for complete search history.

(56) **References Cited**

U.S. PATENT DOCUMENTS

5,632,429 A * 5/1997 Cantwell A45C 13/30
224/264
D418,673 S * 1/2000 Madsen D2/830

D506,607 S * 6/2005 Fonfeder D3/216
D673,363 S * 1/2013 Crandall D3/217
D674,591 S * 1/2013 Hargens D3/217
D681,324 S * 5/2013 Mohr D3/216
D702,434 S * 4/2014 Chalk D3/216
D707,959 S * 7/2014 Pent D3/217
D725,378 S * 3/2015 Ford D3/217
D727,573 S * 4/2015 Eisen D30/109
D732,246 S * 6/2015 Eisen D30/109
9,101,199 B1 * 8/2015 Harry A45F 4/02
9,125,478 B2 * 9/2015 Li A45F 3/047
D759,369 S * 6/2016 Mei Yee D3/216
9,877,558 B1 * 1/2018 Harstvedt A45C 3/00
D824,660 S * 8/2018 Ross D3/217
D829,436 S * 10/2018 Benzon D3/217
D841,978 S * 3/2019 Ou D3/217
10,219,608 B2 * 3/2019 Ball A45F 3/00

* cited by examiner

Primary Examiner — Lilyana Bekic

Assistant Examiner — Aula Soroush

(74) *Attorney, Agent, or Firm* — Jen-Feng Lee, Esq.

(57) **CLAIM**

I claim the ornamental design for a pet carrier, as shown and described.

DESCRIPTION

FIG. 1 is a perspective view of a pet carrier showing my new design,

FIG. 2 is a front elevation view thereof,

FIG. 3 is a rear elevation view thereof,

FIG. 4 is a left side elevation view thereof,

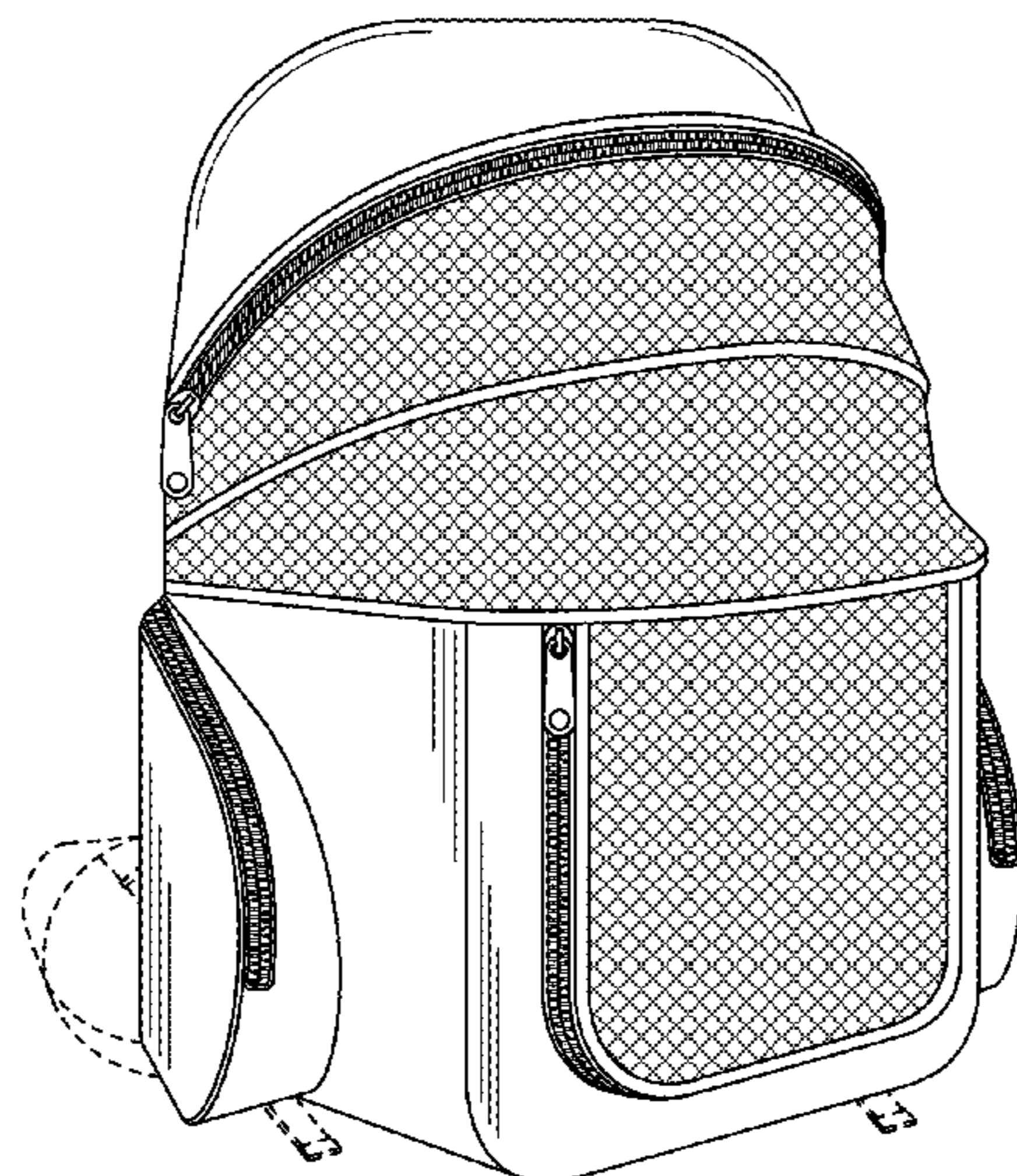
FIG. 5 is a right side elevation view thereof,

FIG. 6 is a top plan view thereof; and,

FIG. 7 is a bottom plan view thereof.

The broken lines depict portions of the pet carrier and form no part of the claimed design.

1 Claim, 7 Drawing Sheets



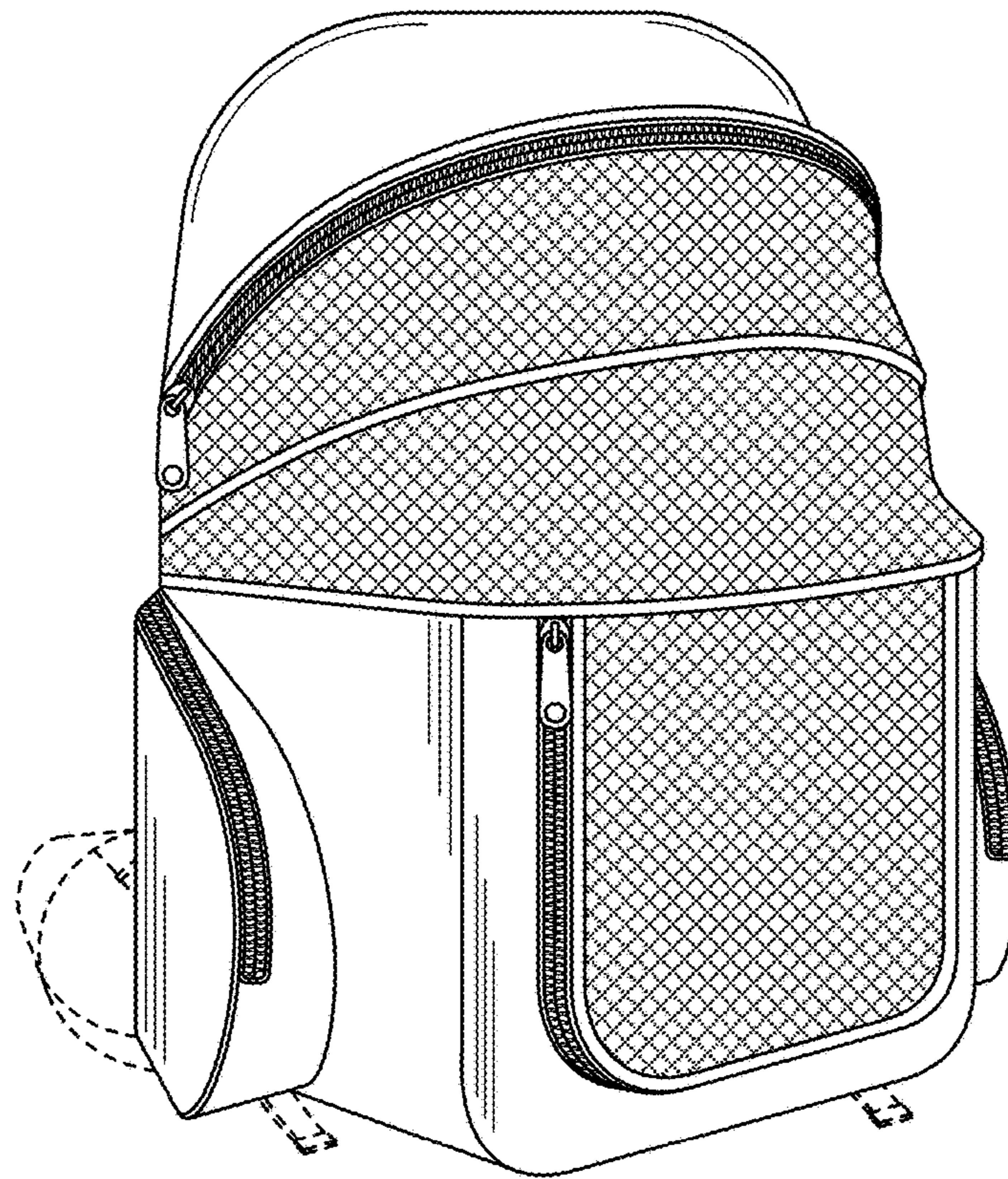


FIG. 1



FIG. 2

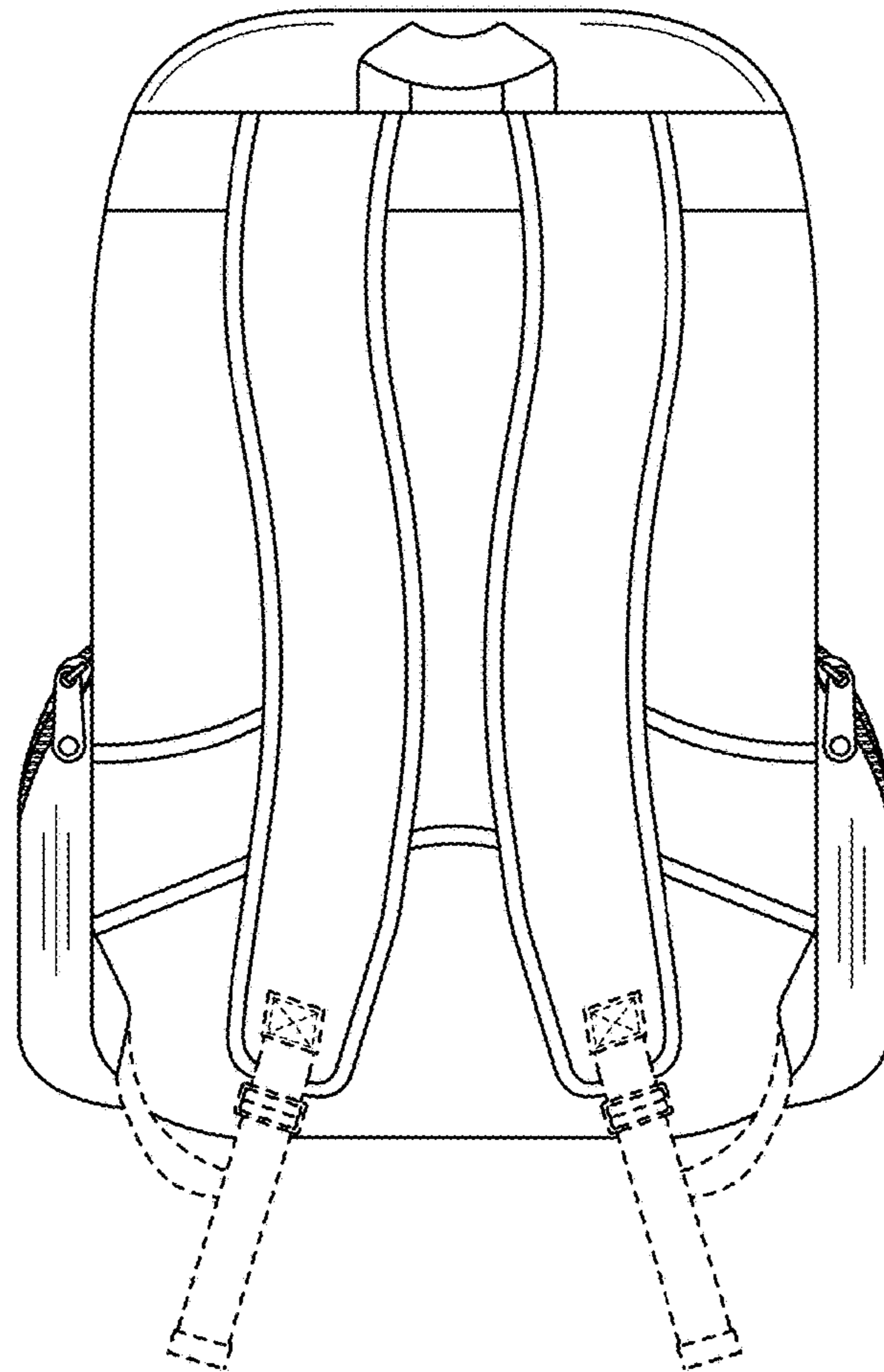


FIG. 3

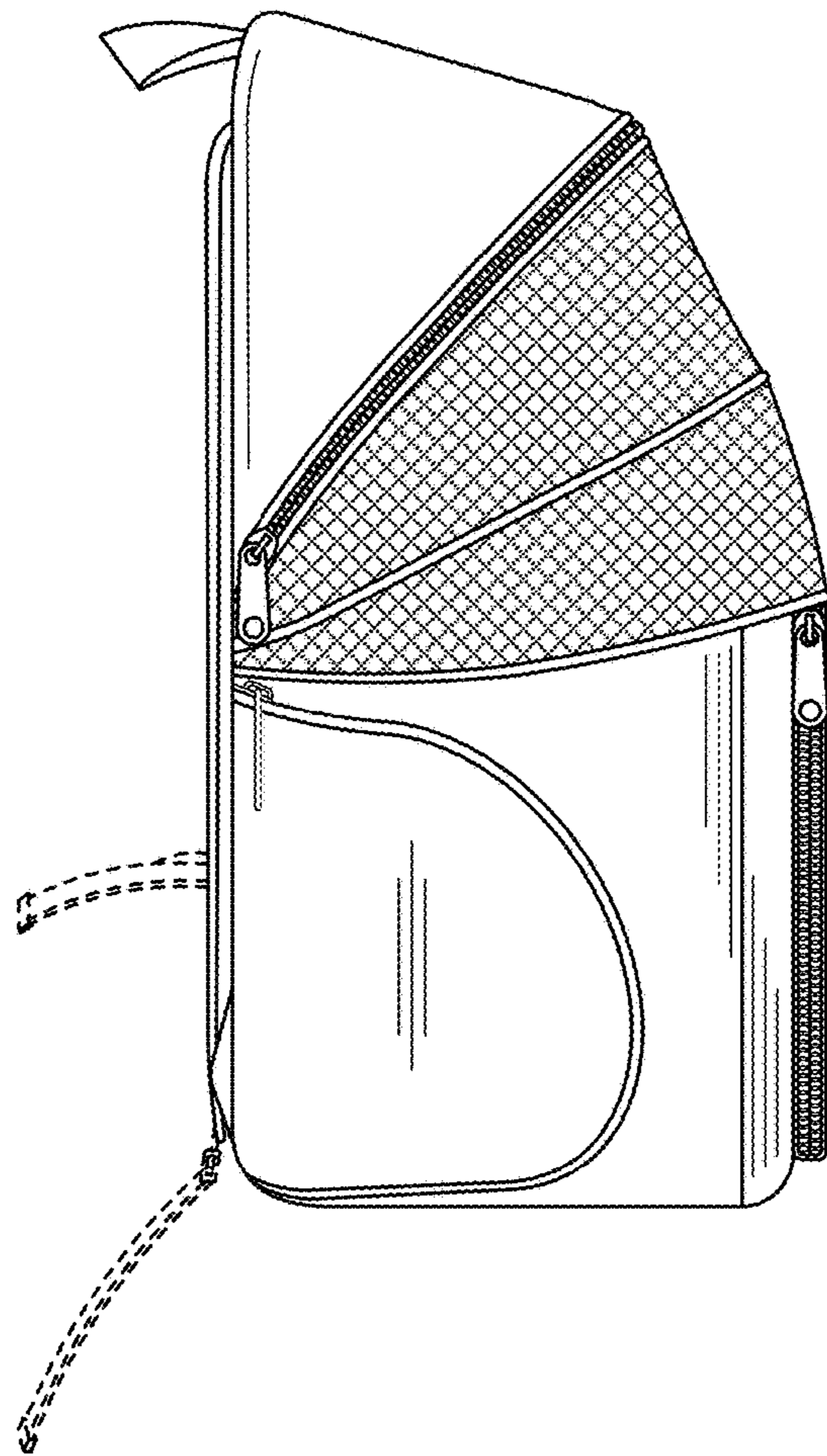


FIG. 4

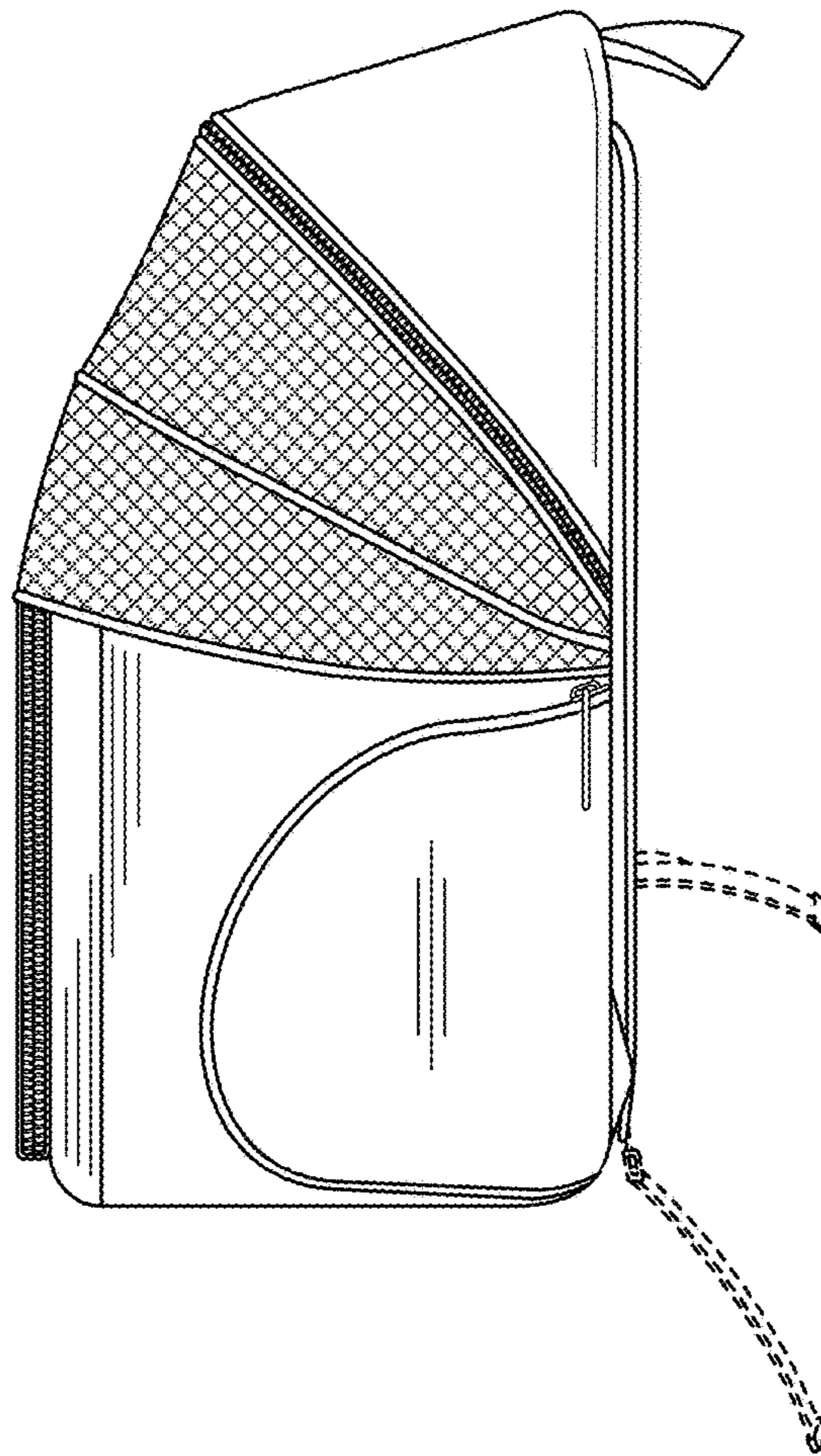


FIG. 5

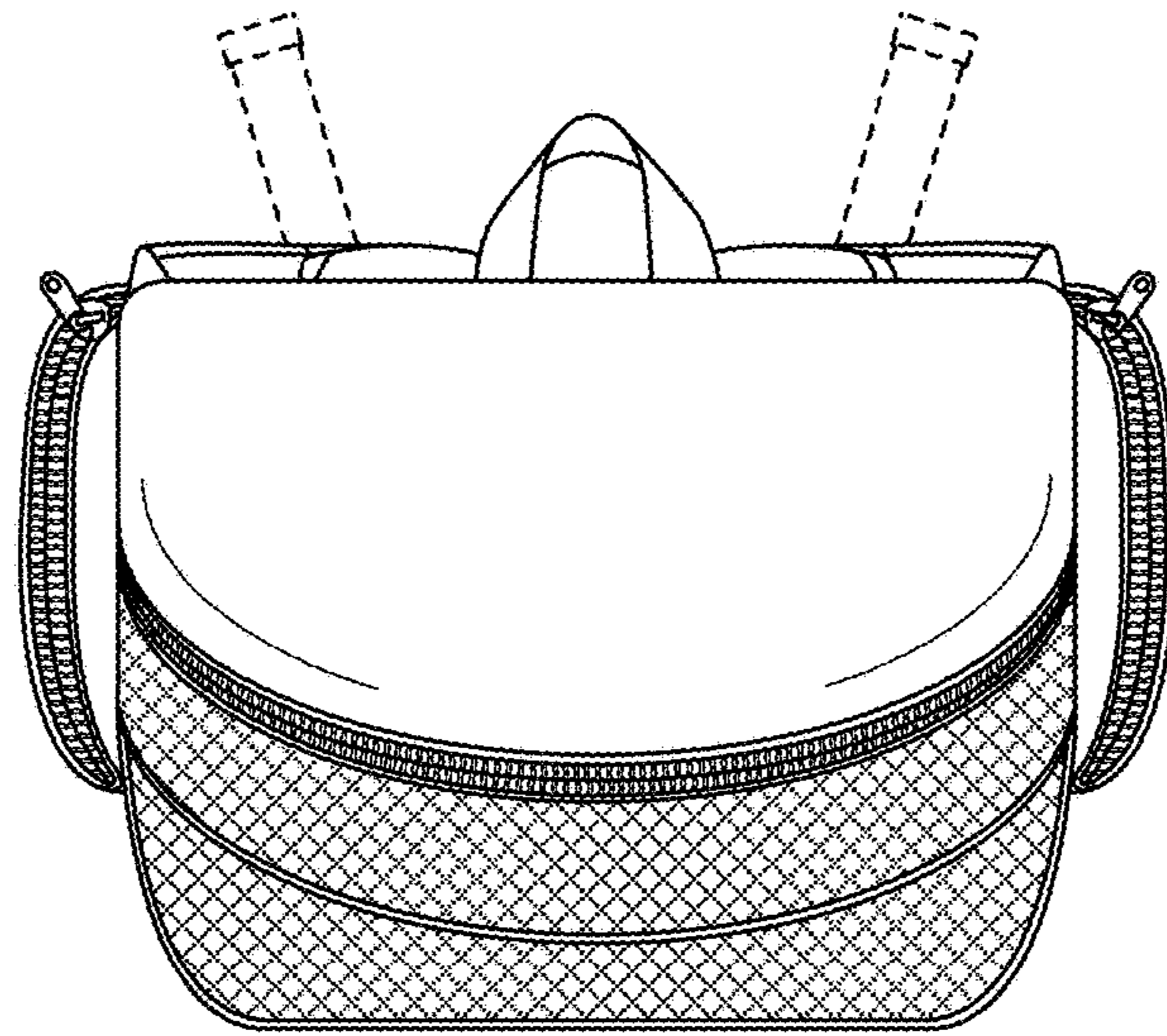


FIG. 6

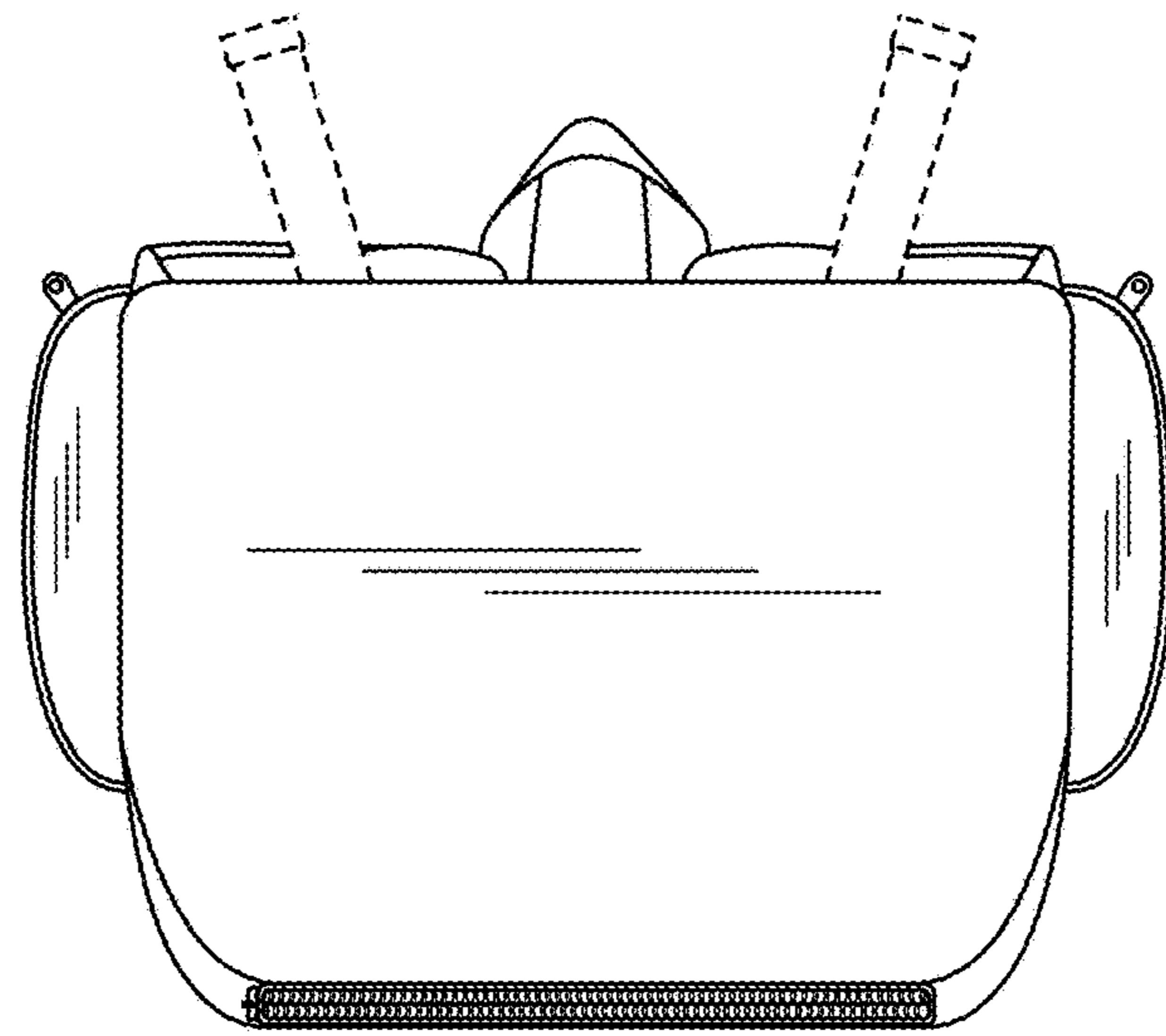


FIG. 7