



US00D856599S

(12) **United States Design Patent** (10) **Patent No.:** **US D856,599 S**
Knox (45) **Date of Patent:** **** Aug. 13, 2019**

(54) **HELMET GUARD**

(71) Applicant: **Gordon Richard Knox**, Innisfil (CA)

(72) Inventor: **Gordon Richard Knox**, Innisfil (CA)

(**) Term: **15 Years**

(21) Appl. No.: **29/659,193**

(22) Filed: **Aug. 7, 2018**

(51) **LOC (12) Cl.** **29-02**

(52) **U.S. Cl.**
USPC **D29/122; D29/102**

(58) **Field of Classification Search**
USPC D29/102–107, 122; 2/5, 6.1, 6.3, 6.7,
2/41–412, 414, 422–425, 9, 10; D2/869,
D2/870, 872, 882, 884, 891
CPC A42B 3/00; A42B 3/127; F41H 1/08
See application file for complete search history.

(56) **References Cited**

U.S. PATENT DOCUMENTS

5,075,903	A *	12/1991	Richoux	A42B 3/00 2/411
D370,309	S *	5/1996	Stucky	D29/102
6,389,608	B1 *	5/2002	Williams	A42B 3/00 2/411
6,397,399	B1 *	6/2002	Lampe	A42B 1/008 2/171.2
9,314,061	B2	4/2016	Hanson et al.		

* cited by examiner

Primary Examiner — Randall H Gholson

(74) *Attorney, Agent, or Firm* — Bereskin & Parr LLP

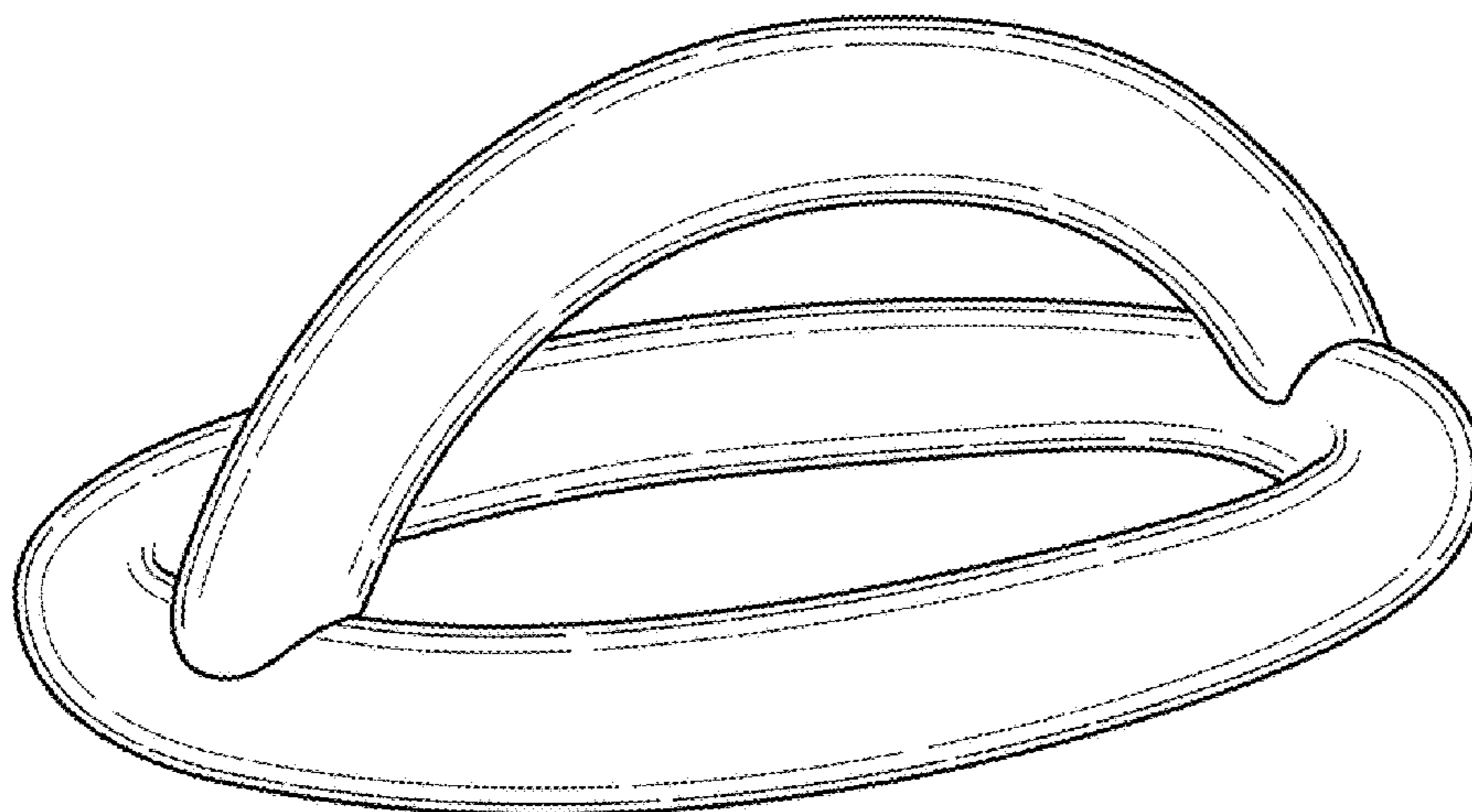
(57) **CLAIM**

The ornamental design for a helmet guard, as shown and described.

DESCRIPTION

FIG. 1 is a perspective view of a helmet guard according to the first embodiment;
 FIG. 2 is a top view thereof;
 FIG. 3 is a bottom view thereof;
 FIG. 4 is a first end view thereof;
 FIG. 5 is a second end view thereof;
 FIG. 6 is a first side view thereof;
 FIG. 7 is a second side view thereof;
 FIG. 8 is a perspective view thereof in use;
 FIG. 9 is a perspective view of a helmet guard according to the second embodiment;
 FIG. 10 is a top view thereof;
 FIG. 11 is a bottom view thereof;
 FIG. 12 is a first end view thereof;
 FIG. 13 is a second end view thereof;
 FIG. 14 is a first side view thereof;
 FIG. 15 is a second side view thereof; and,
 FIG. 16 is a perspective view thereof in use.
 The partial human head and helmet shown in broken lines in FIGS. 8 and 16 represent how the design may appear when in use and forms no part of the claimed design. The broken and dash-dot lines in FIGS. 9 to 16 illustrate portions of the helmet guard that form no part of the claimed design.

1 Claim, 10 Drawing Sheets



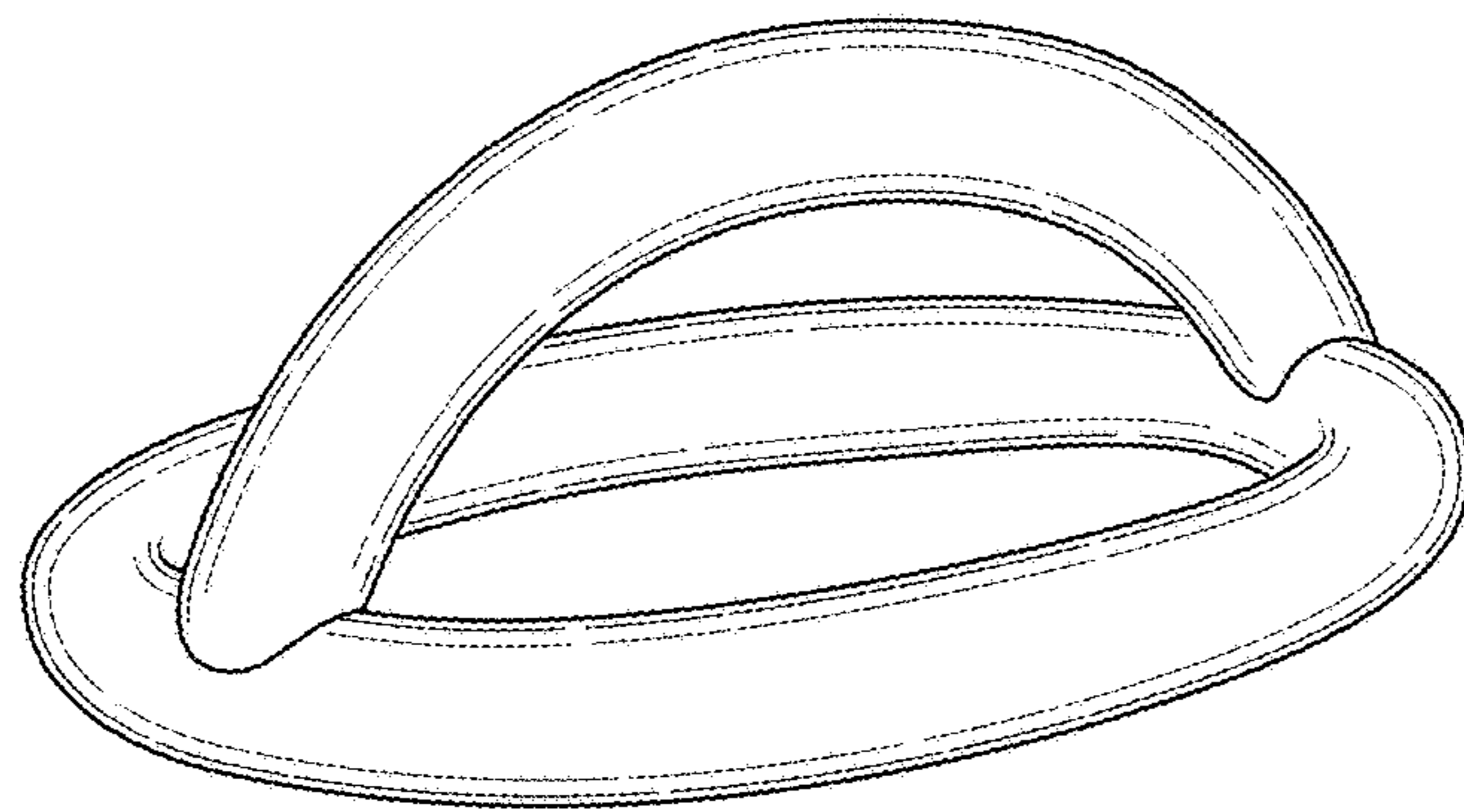


FIG. 1

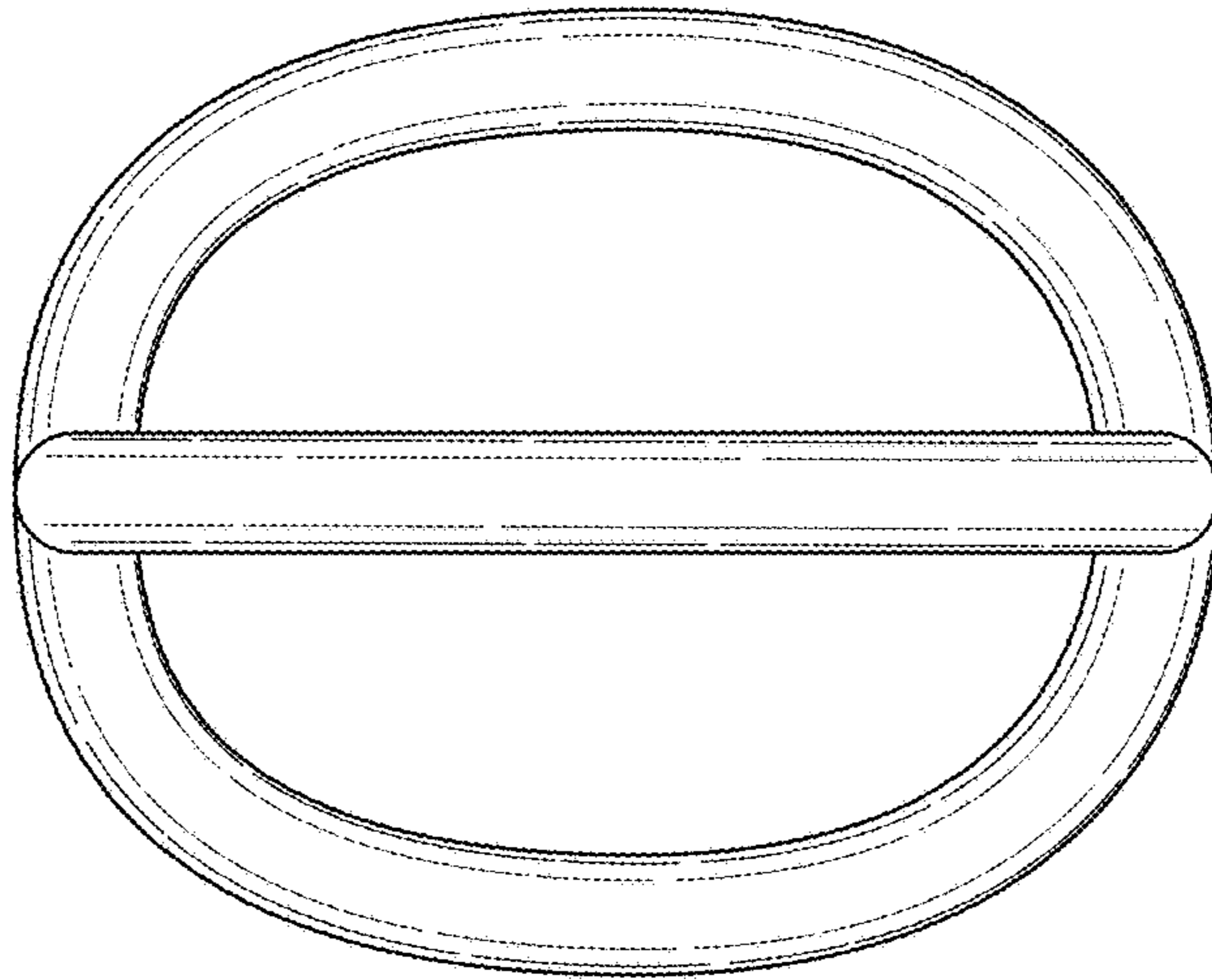


FIG. 2

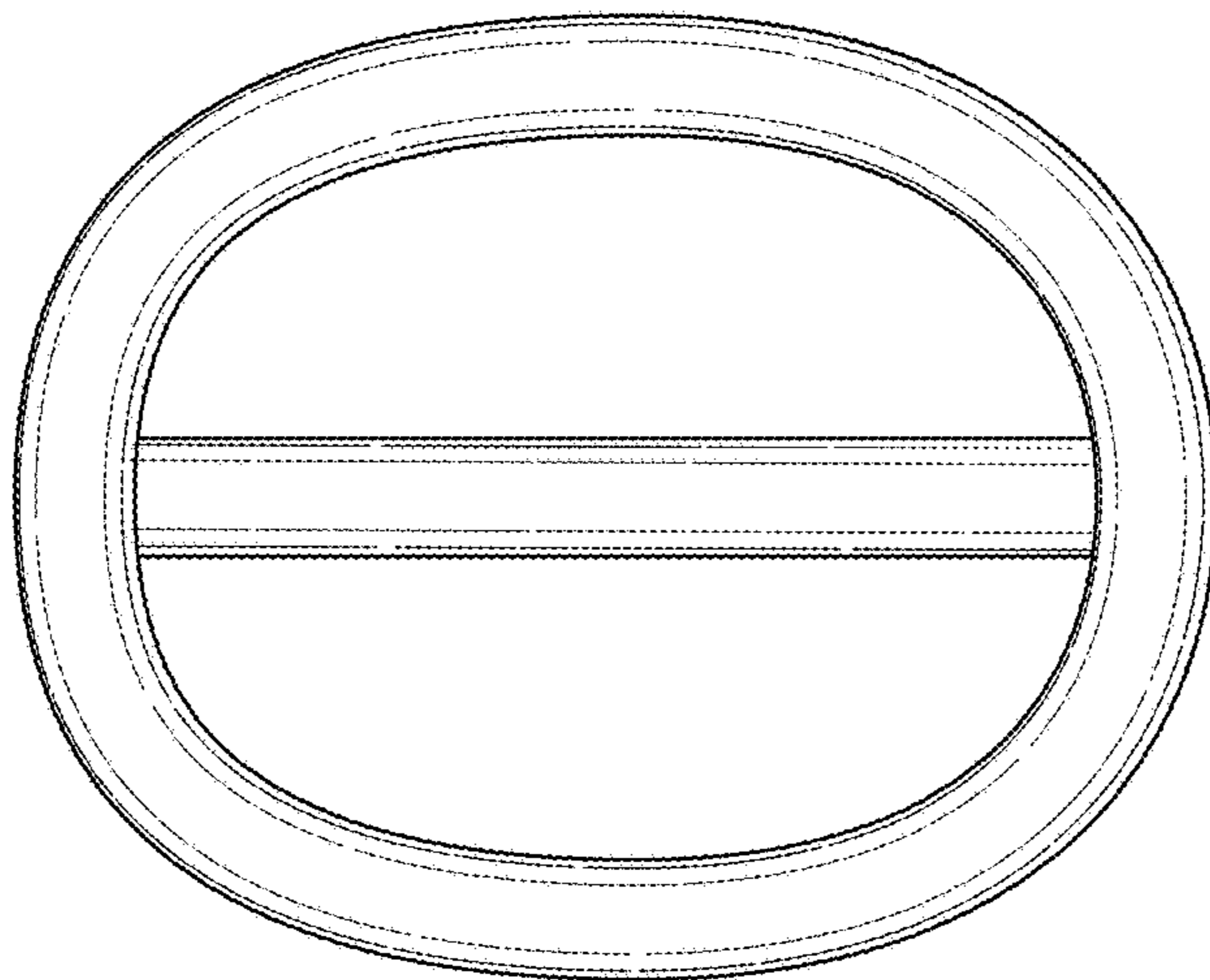


FIG. 3

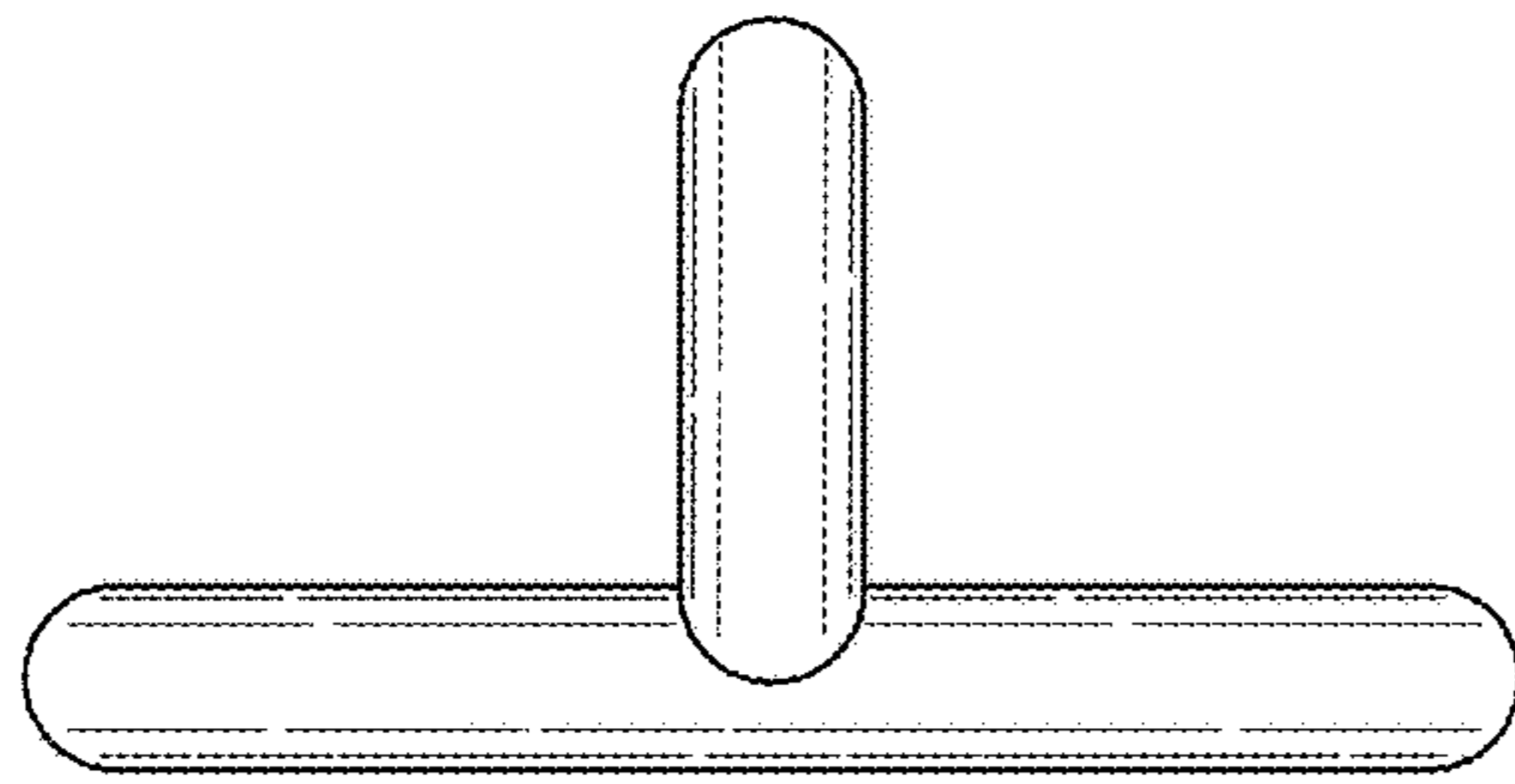


FIG. 4

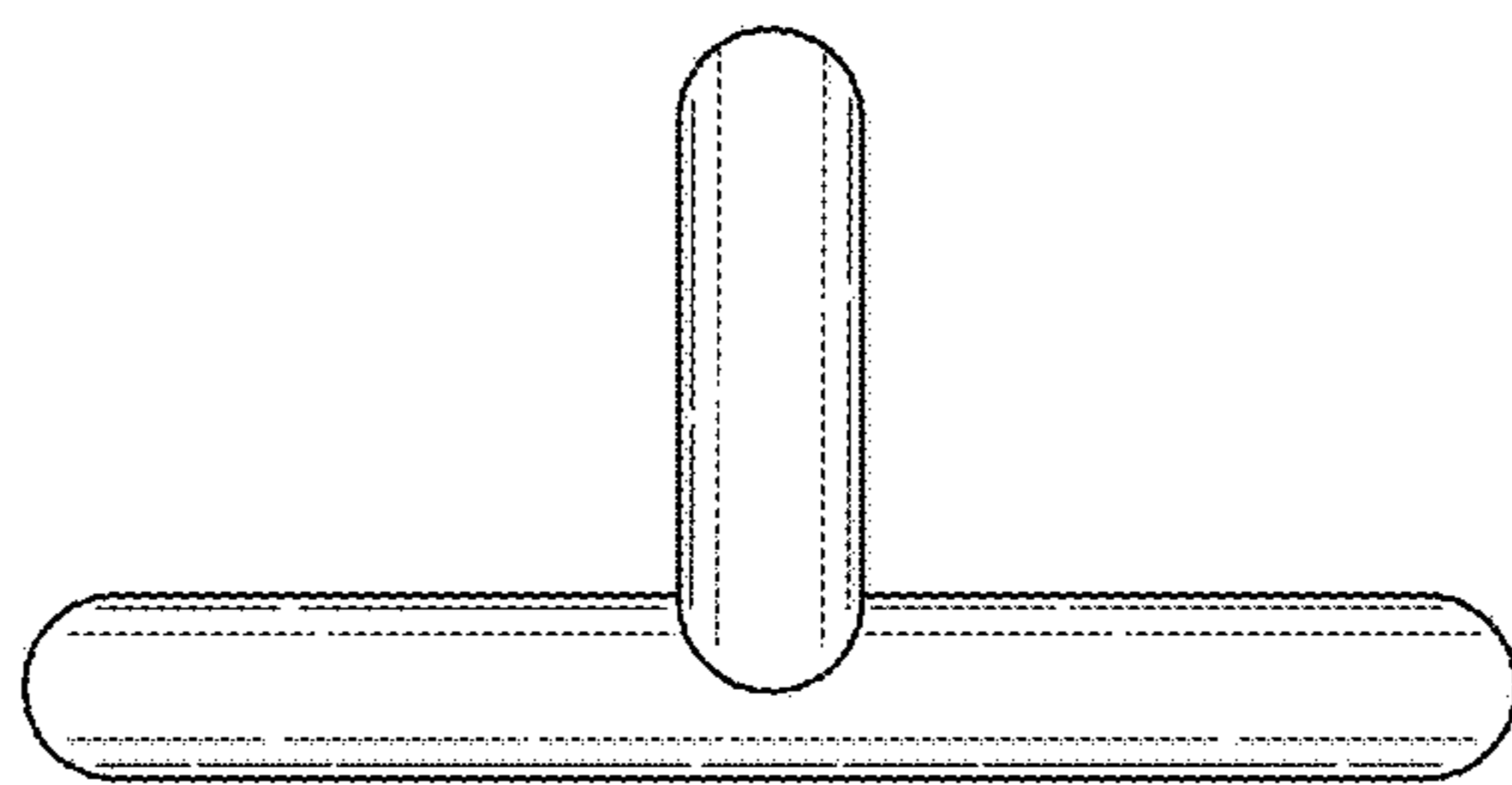


FIG. 5

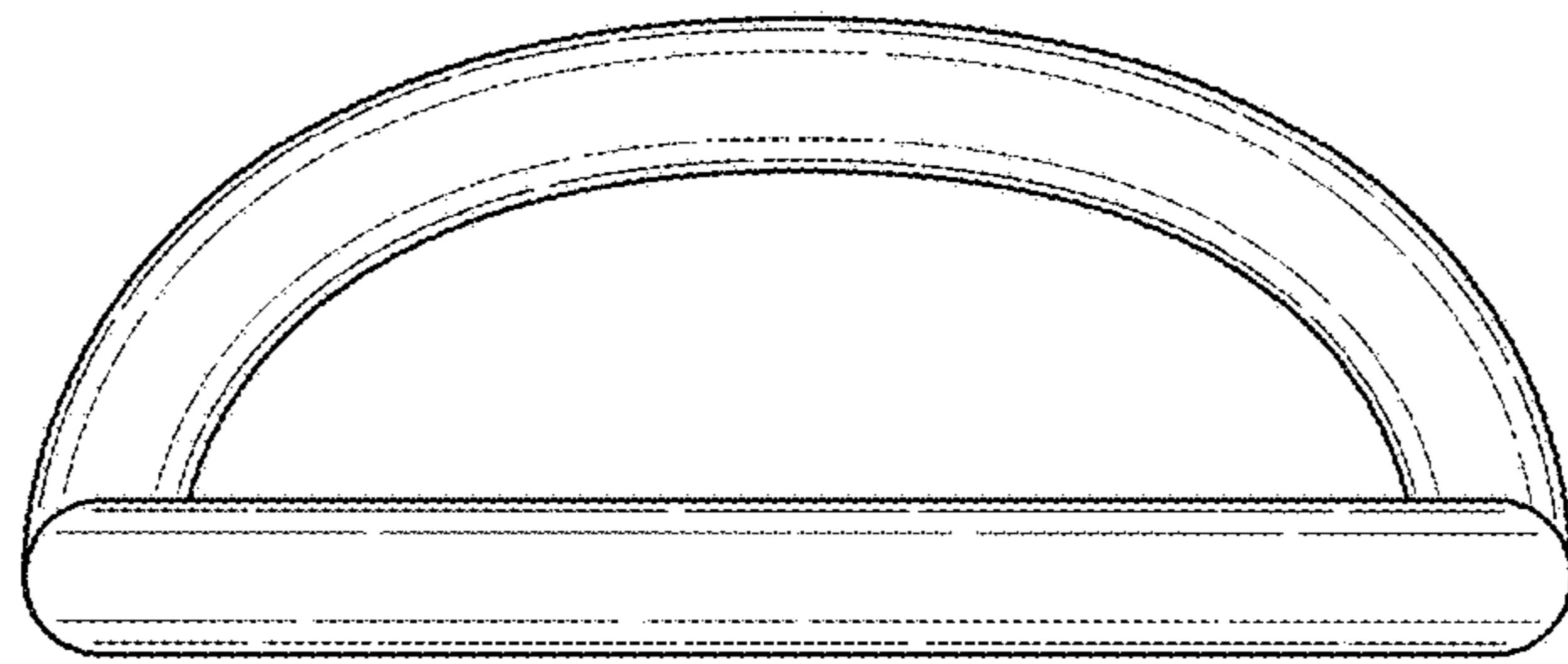


FIG. 6

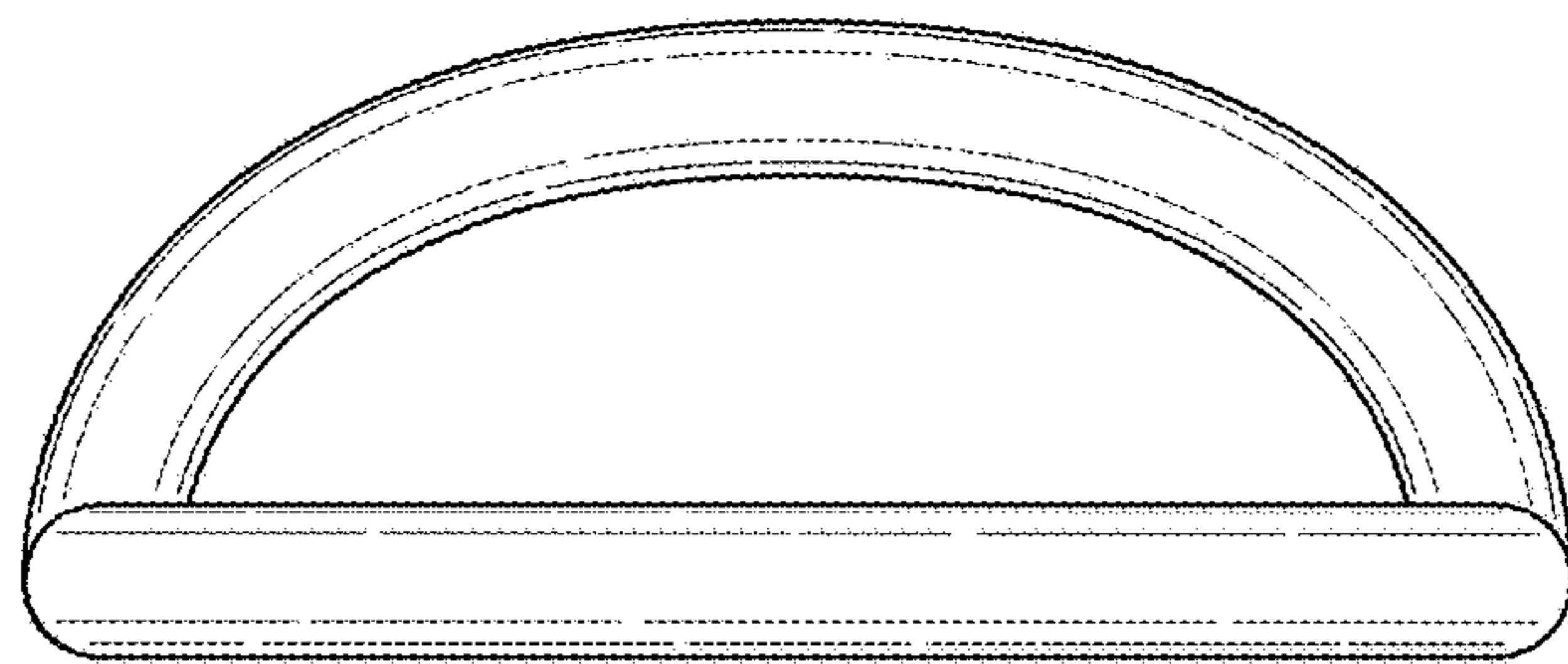


FIG. 7

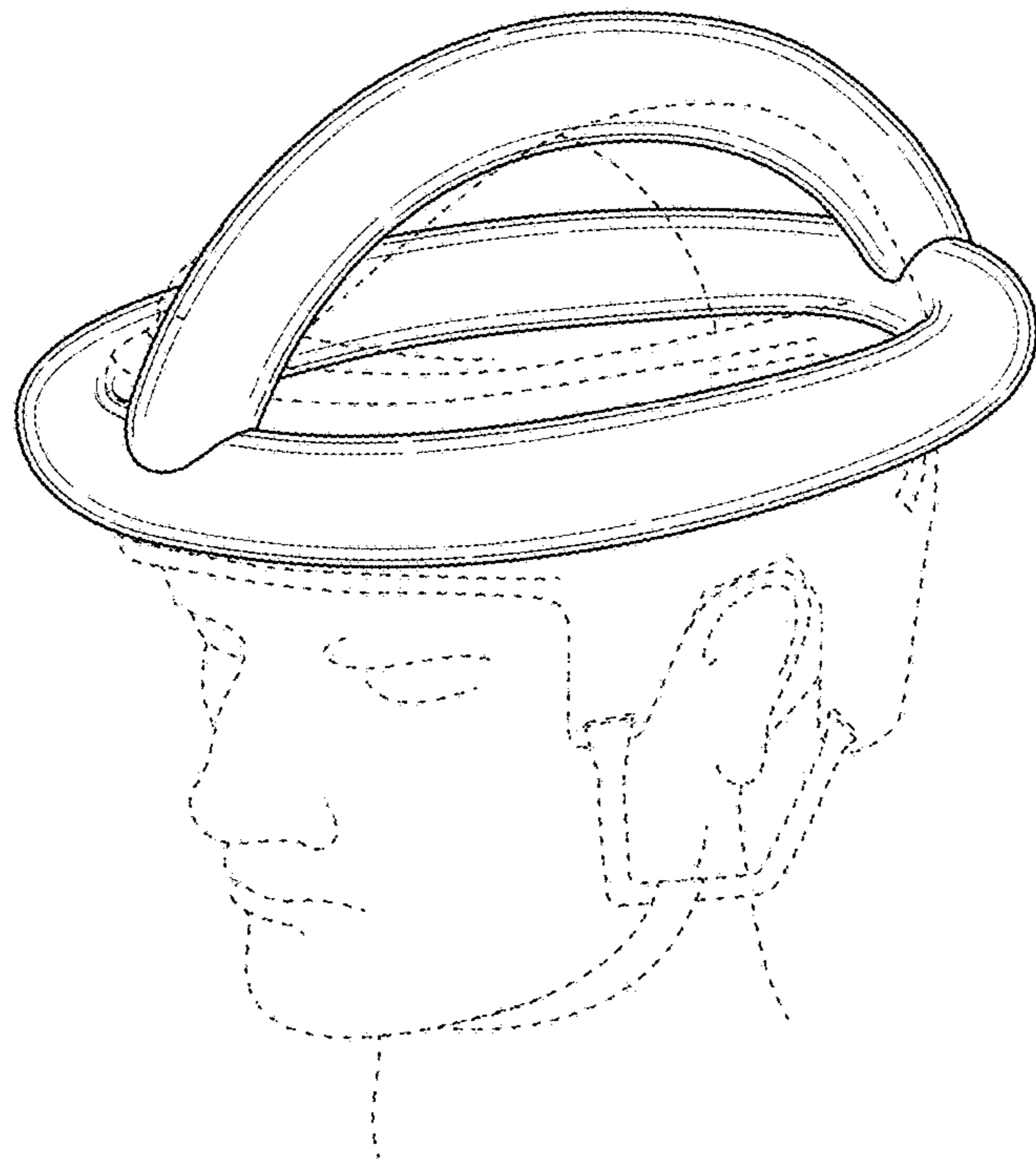


FIG. 8

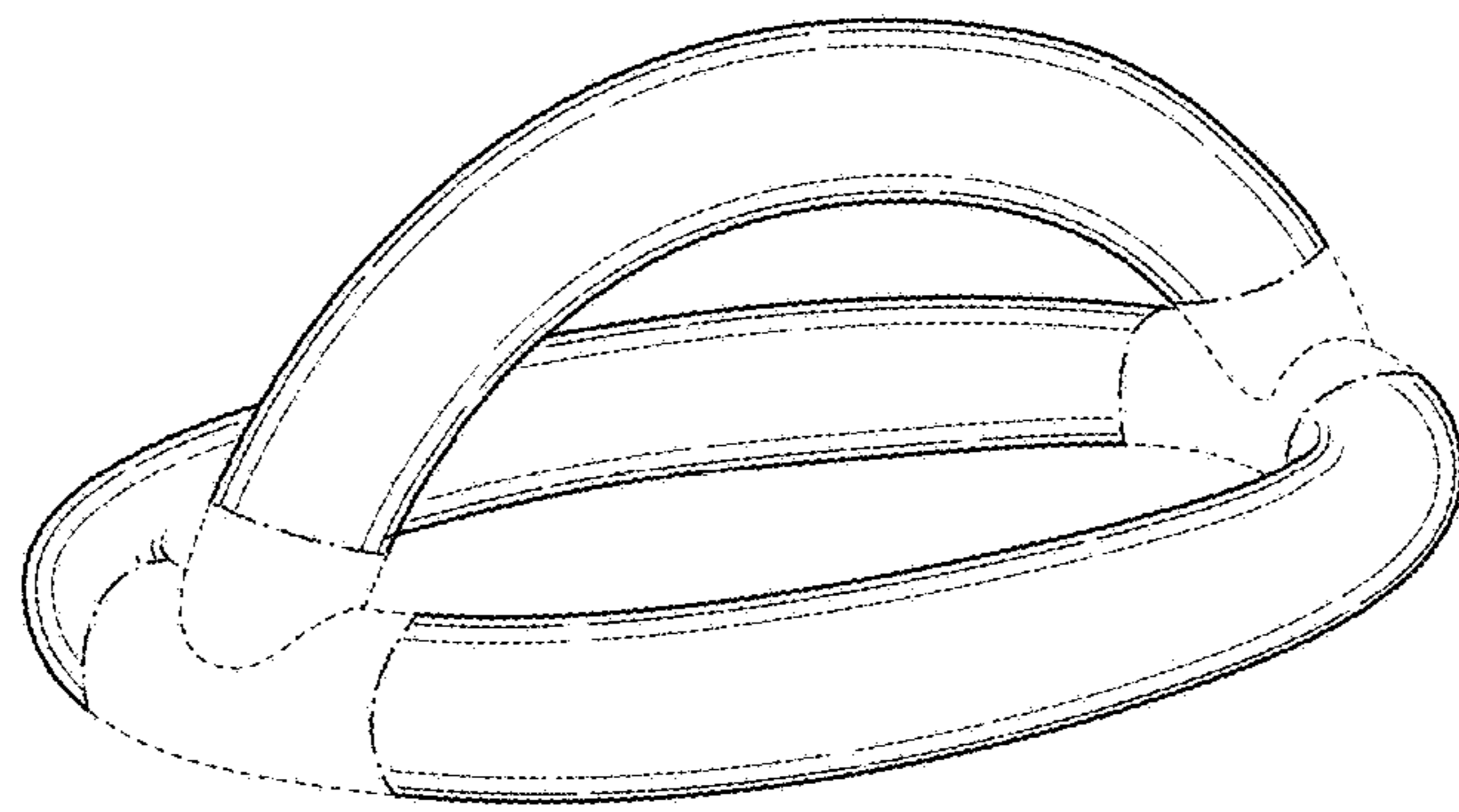


FIG. 9

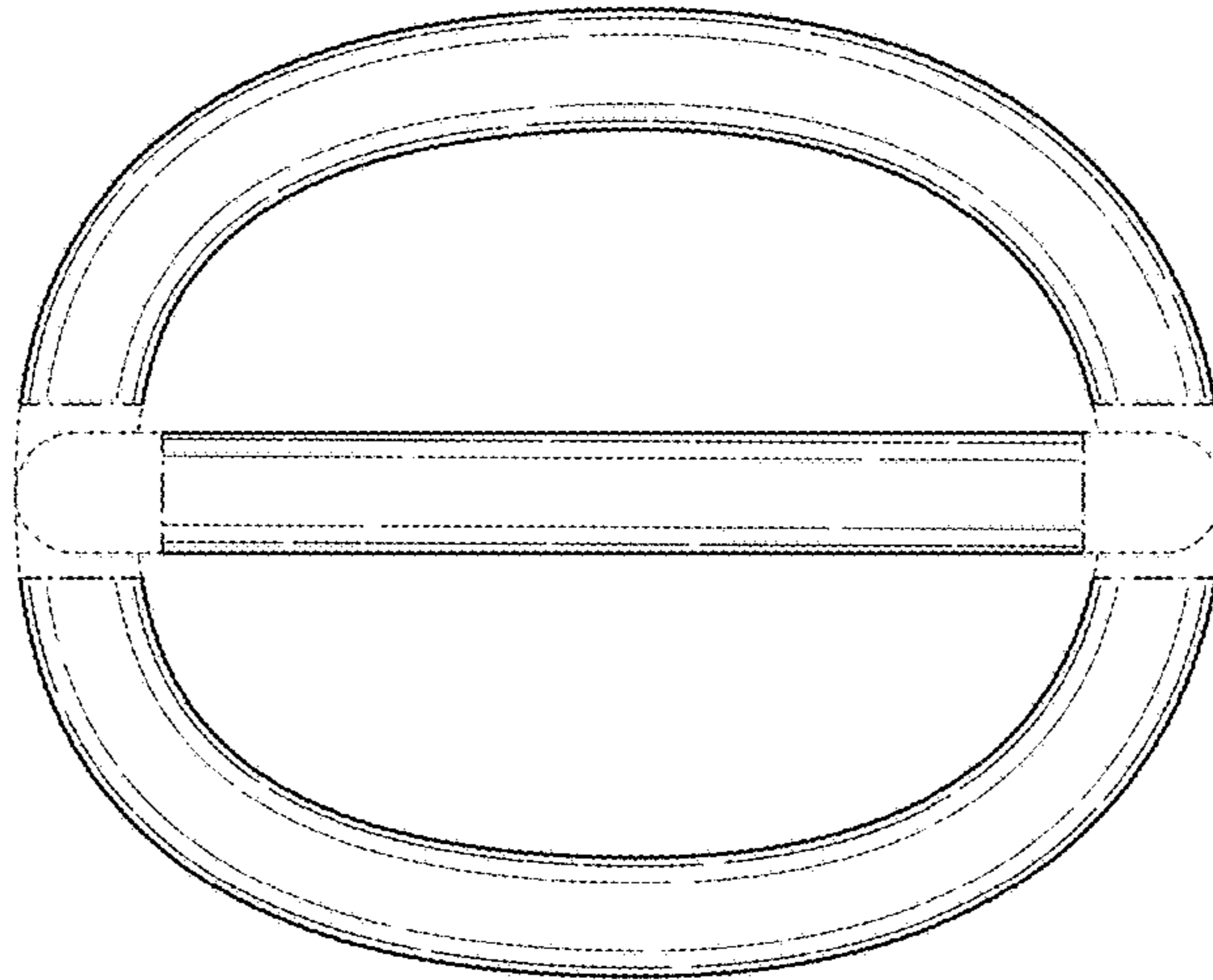


FIG. 10

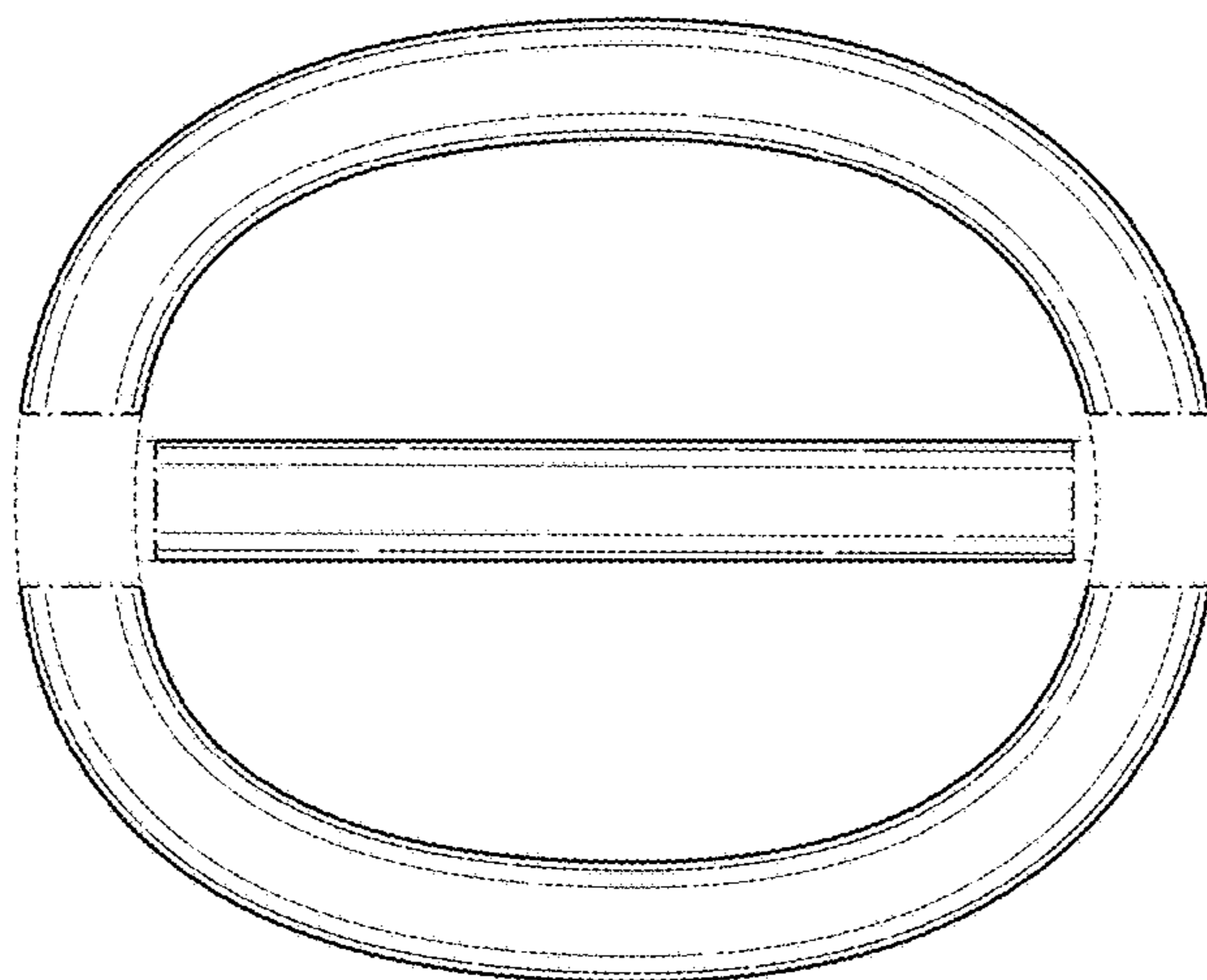


FIG. 11

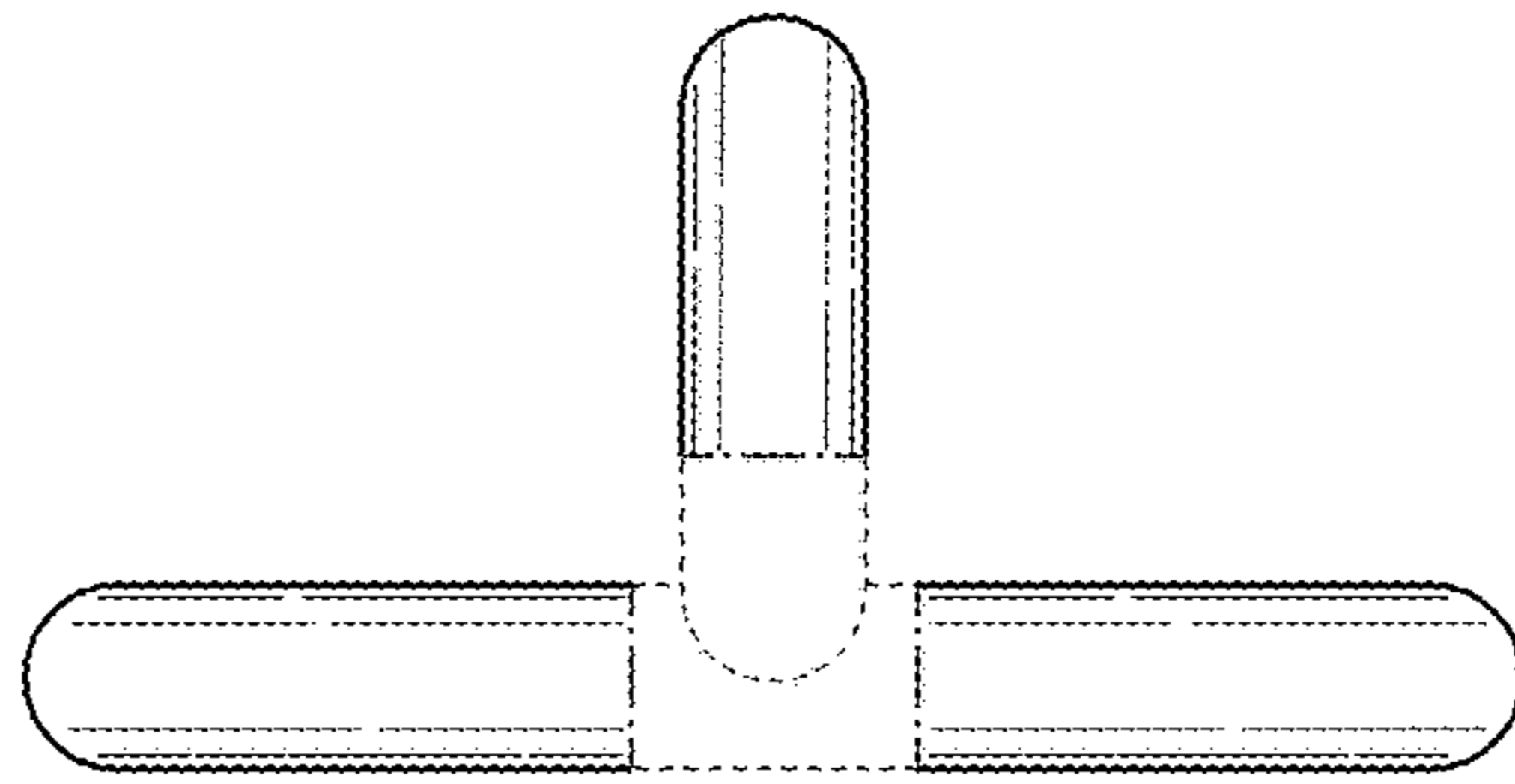


FIG. 12

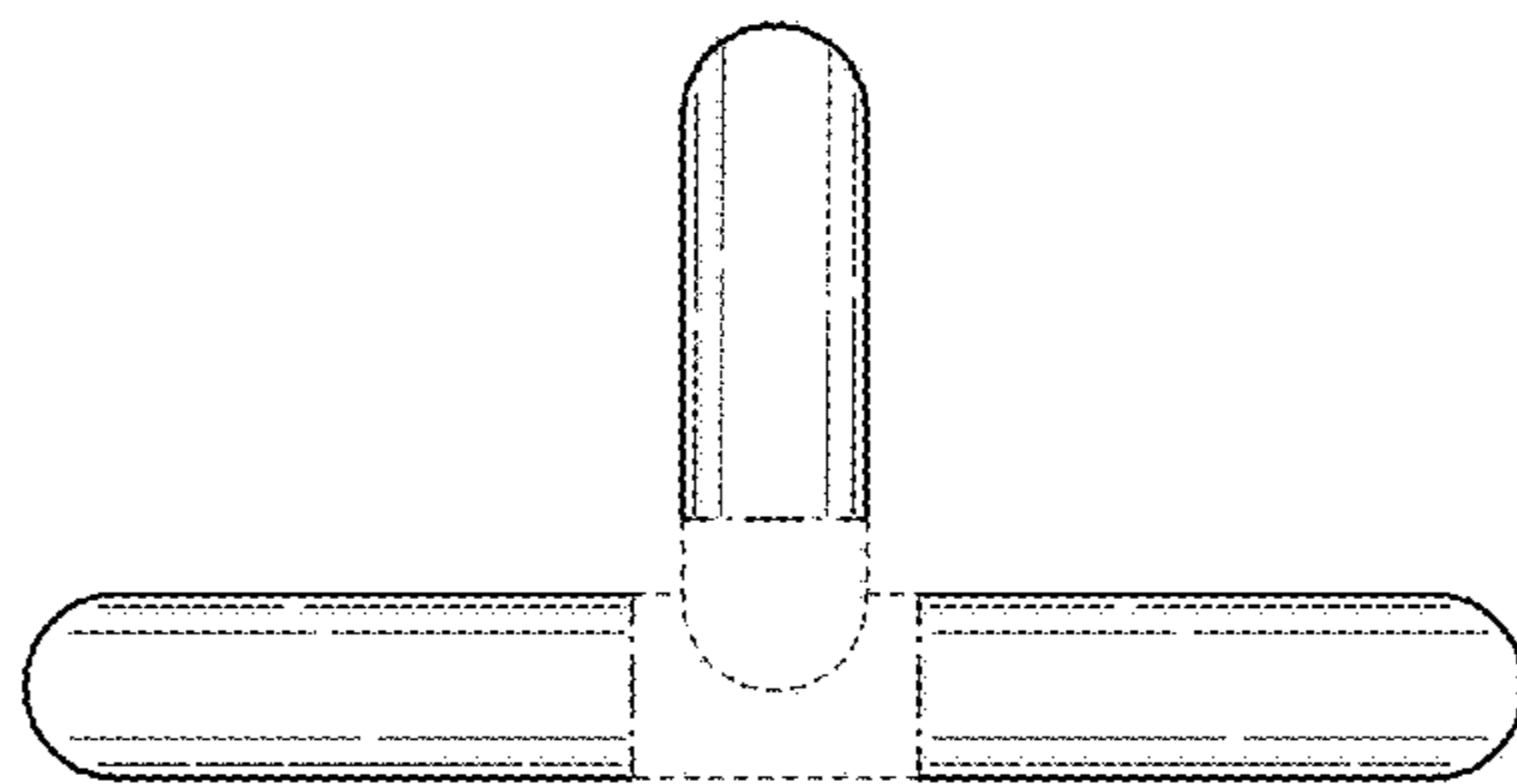


FIG. 13

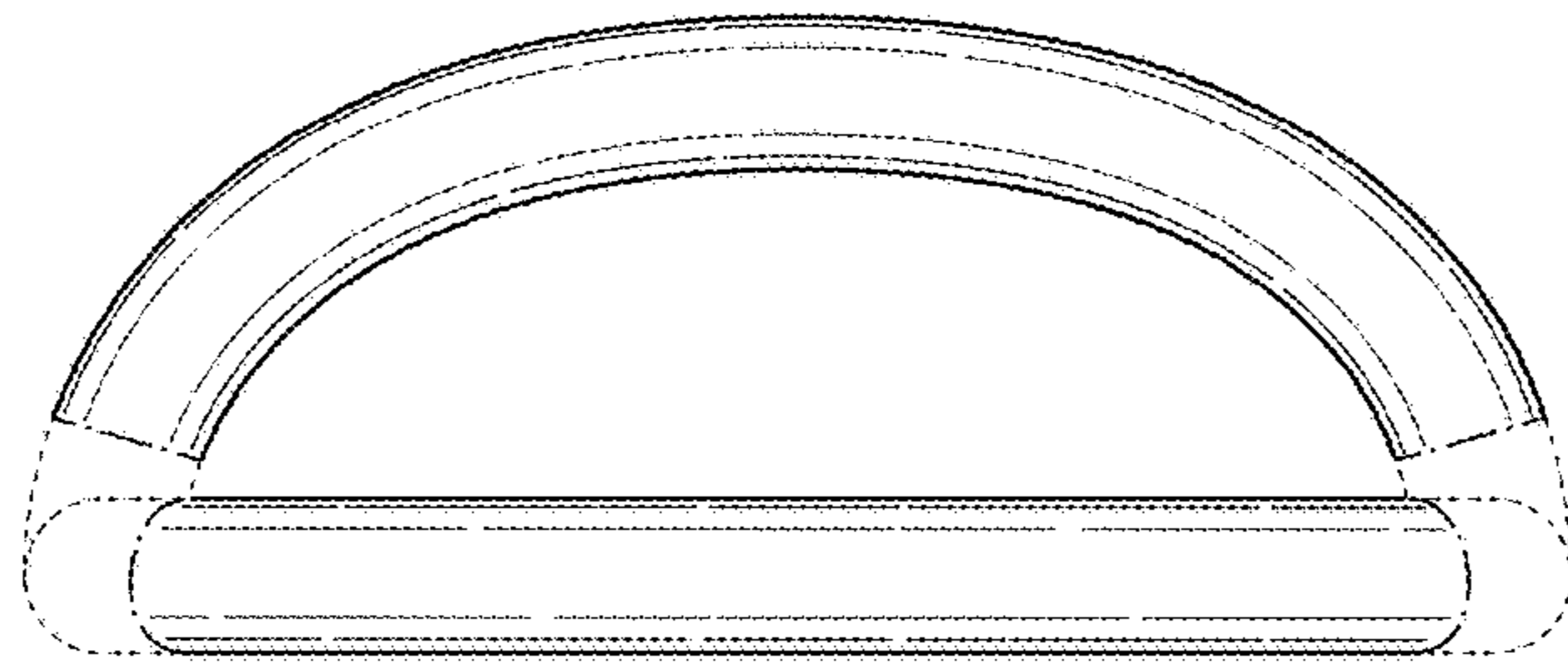


FIG. 14

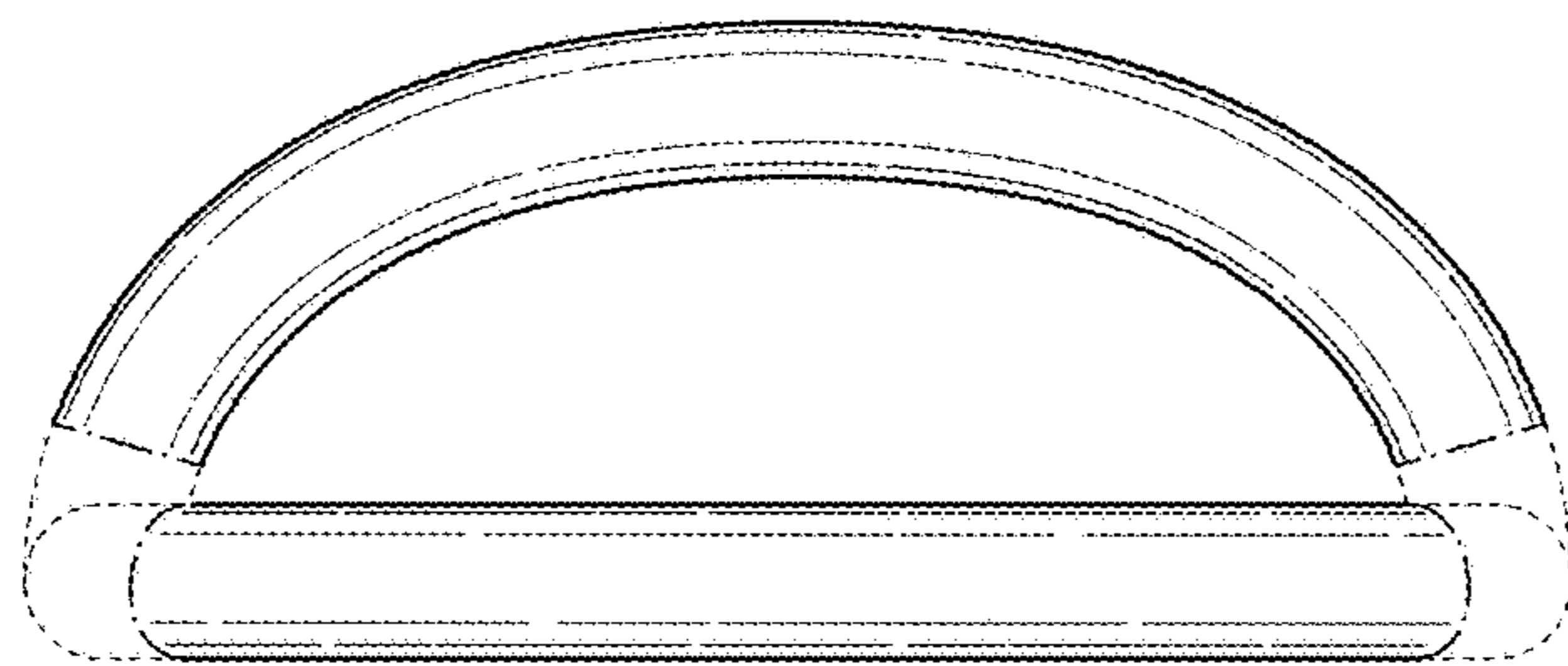


FIG. 15

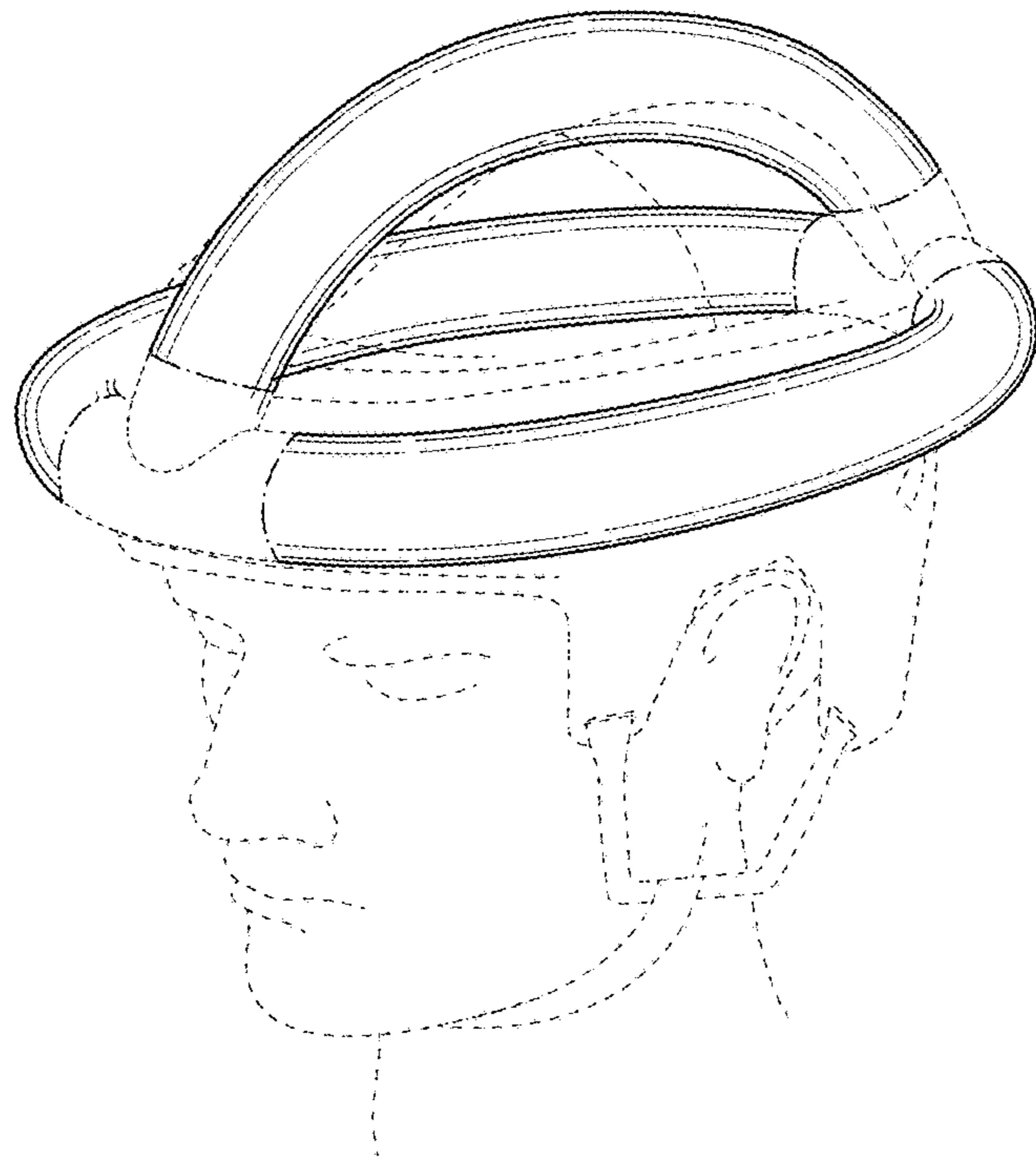


FIG. 16