



US00D856595S

(12) **United States Design Patent** (10) **Patent No.:** **US D856,595 S**
Henderson (45) **Date of Patent:** **** Aug. 13, 2019**

(54) **VIDEO GAME PLAYING GLOVE**
(71) Applicant: **John S. Henderson**, Columbus, OH
(US)
(72) Inventor: **John S. Henderson**, Columbus, OH
(US)

5,528,772 A * 6/1996 Cheek A63B 71/148
2/161.1
6,009,557 A * 1/2000 Witta A41D 13/087
2/159
6,209,137 B1 * 4/2001 Wallick A41D 13/087
2/159

(Continued)

(**) Term: **15 Years**

(21) Appl. No.: **29/582,404**

(22) Filed: **Oct. 27, 2016**

(51) **LOC (12) Cl.** **29-02**

(52) **U.S. Cl.**
USPC **D29/113**

(58) **Field of Classification Search**
USPC D29/113, 117.1, 117.2, 118, 119;
D2/617
CPC A41D 13/087; A41D 19/015; A41D
19/01547

See application file for complete search history.

(56) **References Cited**

U.S. PATENT DOCUMENTS

2,025,710 A * 12/1935 Beemer A41D 19/01505
2/20
D130,978 S * 12/1941 Morrison D29/113
2,949,610 A * 8/1960 Lutsky A63B 71/148
2/16
3,394,408 A * 7/1968 Bush A63B 71/146
2/159
D243,292 S * 2/1977 Koehler D29/113
4,103,362 A * 8/1978 Blakeman A63B 71/148
2/161.1
D280,779 S * 10/1985 Laws D29/113
4,573,220 A * 3/1986 Baker A63B 71/148
2/161.1
4,894,866 A * 1/1990 Walker A41D 19/01547
2/159

OTHER PUBLICATIONS

Icehawk Gaming, posted at facebook.com, posting date Mar. 3, 2017, [online], [site visited Jul. 16, 2018]. Available from Internet, URL: <https://www.facebook.com/icehawkgaming/> (Year: 2017).*

(Continued)

Primary Examiner — George D. Kirschbaum
Assistant Examiner — Marie J Edwards
(74) *Attorney, Agent, or Firm* — Jason H. Foster;
Kremblas & Foster

(57) **CLAIM**

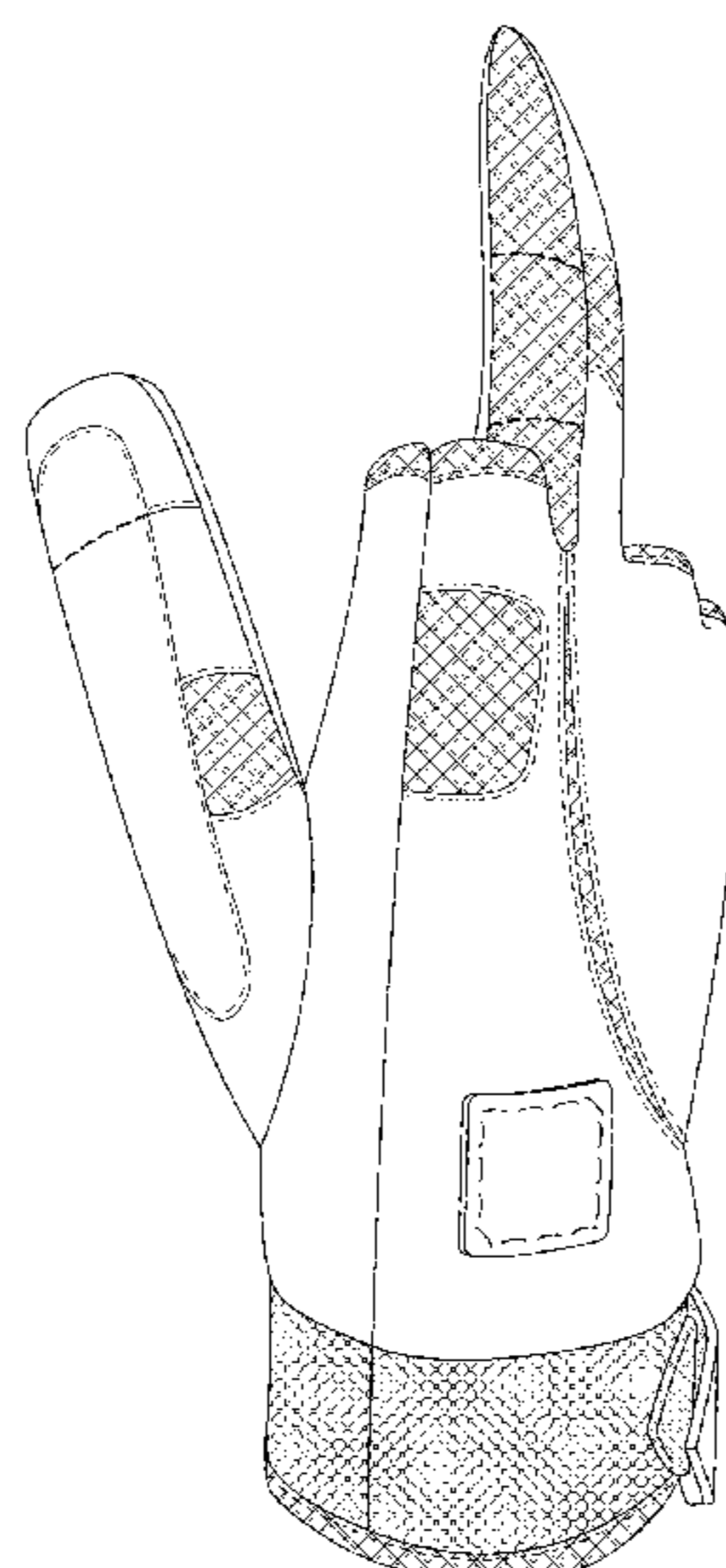
The ornamental design for a video game playing glove, as shown and described.

DESCRIPTION

FIG. 1 is a perspective view of a video game playing glove showing my new design;
FIG. 2 is a front view thereof;
FIG. 3 is a rear view thereof;
FIG. 4 is a right side view thereof;
FIG. 5 is a left side view thereof;
FIG. 6 is a bottom view thereof; and,
FIG. 7 is a top view thereof.

Although shown in the context of a right hand glove, an embodiment of the present invention may also be incorporated in a left hand glove, wherein the left hand glove is a mirror image of the right hand glove shown in FIGS. 1-7. The small-dash broken lines represent stitching and form no part of the claimed design. The larger-dash broken lines represent heavier stitching and form no part of the claimed design.

1 Claim, 5 Drawing Sheets



(56)

References Cited

U.S. PATENT DOCUMENTS

D472,035	S *	3/2003	McManis	D2/617
D516,753	S *	3/2006	Grissom	D29/113
D524,489	S *	7/2006	Scott	D29/113
D533,314	S *	12/2006	Schiazza	D29/113
D553,301	S *	10/2007	Van Buren	D29/117.1
D590,128	S *	4/2009	Hok Sing	D2/617
D595,929	S *	7/2009	Brown	D2/617
D603,581	S *	11/2009	Rimando	D2/617
9,067,126	B2 *	6/2015	Lucero	A63D 15/105
9,480,291	B2 *	11/2016	Joffe	A41D 19/0044
D812,818	S *	3/2018	Owney	D29/113
D829,408	S *	10/2018	Selbiger	D2/618
2009/0025120	A1 *	1/2009	Vestling	A41D 19/015 2/161.1

OTHER PUBLICATIONS

Ergonomic Video Game Gloves, posted at trendhunter.com, posting date May 17, 2017, [online], [site visited Jul. 16, 2018]. Available

from Internet, URL: <https://www.trendhunter.com/trends/gaming-glove> (Year: 2017).*

Gaming Gloves with Grip by Foamy Lizard, posted at amazon.com, posting date not given, [online], [site visited Jul. 16, 2018]. Available from Internet, URL: <https://www.amazon.com/Foamy-Lizard-Anti-sweat-Fingerless-PlayStation/dp/B075N58W1F/> (Year: 2018).*

Icehawk Gaming, posted at facebook.com, posting date Mar. 3, 2017, [online], [site visited Jul. 16, 2018]. Available from Internet, URL: <https://www.facebook.com/icehawkgaming/> (Year: 2017).*

Icehawk Gaming Middle Finger Gaming Gloves, posted at backerkit.com, posting date not given, [online], [site visited Jul. 16, 2018]. Available from Internet, URL: <https://www.backerkit.com/projects/437804748/icehawk-gaming-the-middle-finger-gaming-gloves> (Year: 2018).*

Middle finger gaming gloves, posted at goglobie.com, posting date not given, [online], [site visited Jul. 16, 2018]. Available from Internet, URL: <https://www.goglobie.com/product/middle-finger-gaming-gloves/> (Year: 2018).*

Middle Finger gloves, posted at eugamewire.com, posting date May 16, 2017, [online], [site visited Jul. 16, 2018]. Available from Internet, URL: <https://uegamewire.com/2017/05/16/icehawk-gaming-gives-the-middle-finger-to-gaming-issues/> (Year: 2017).*

* cited by examiner

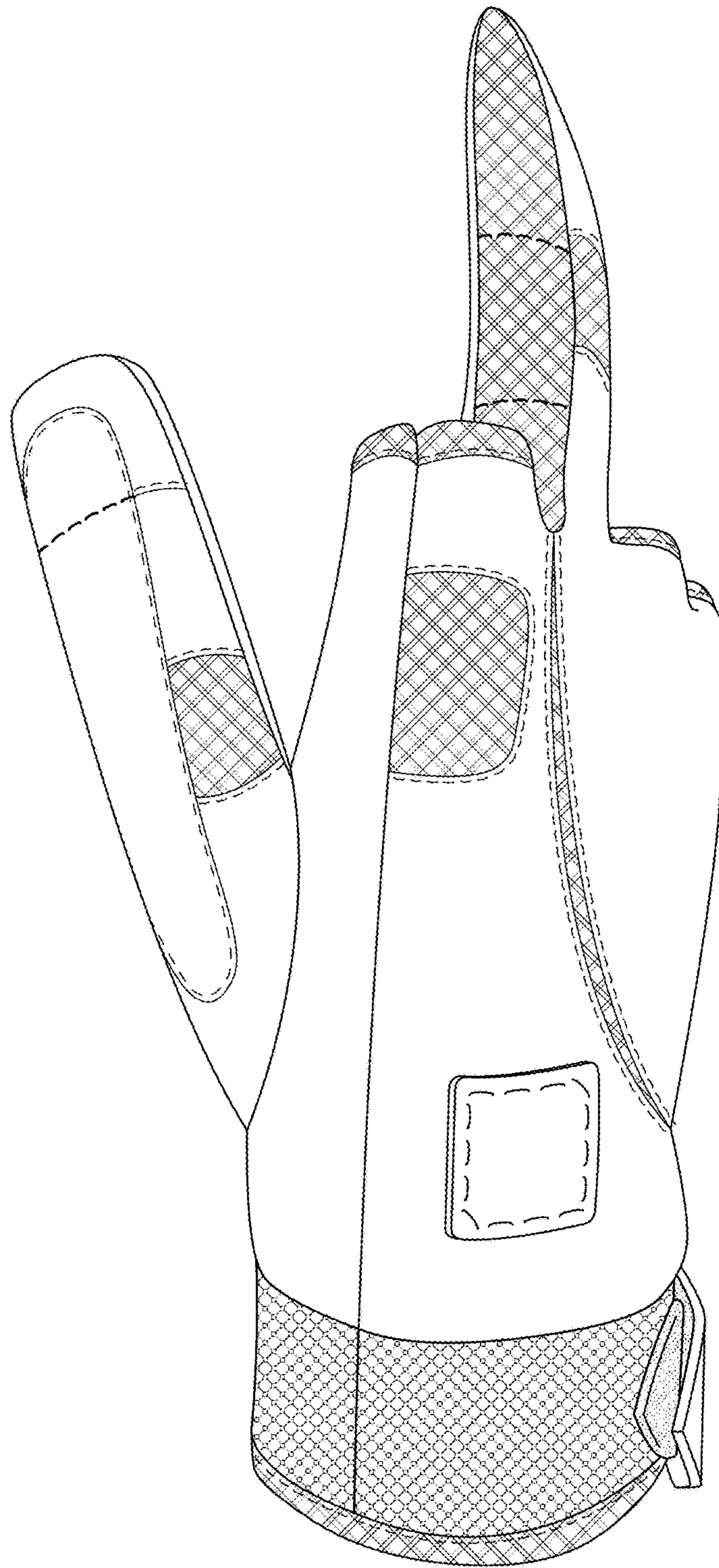


Fig. 1

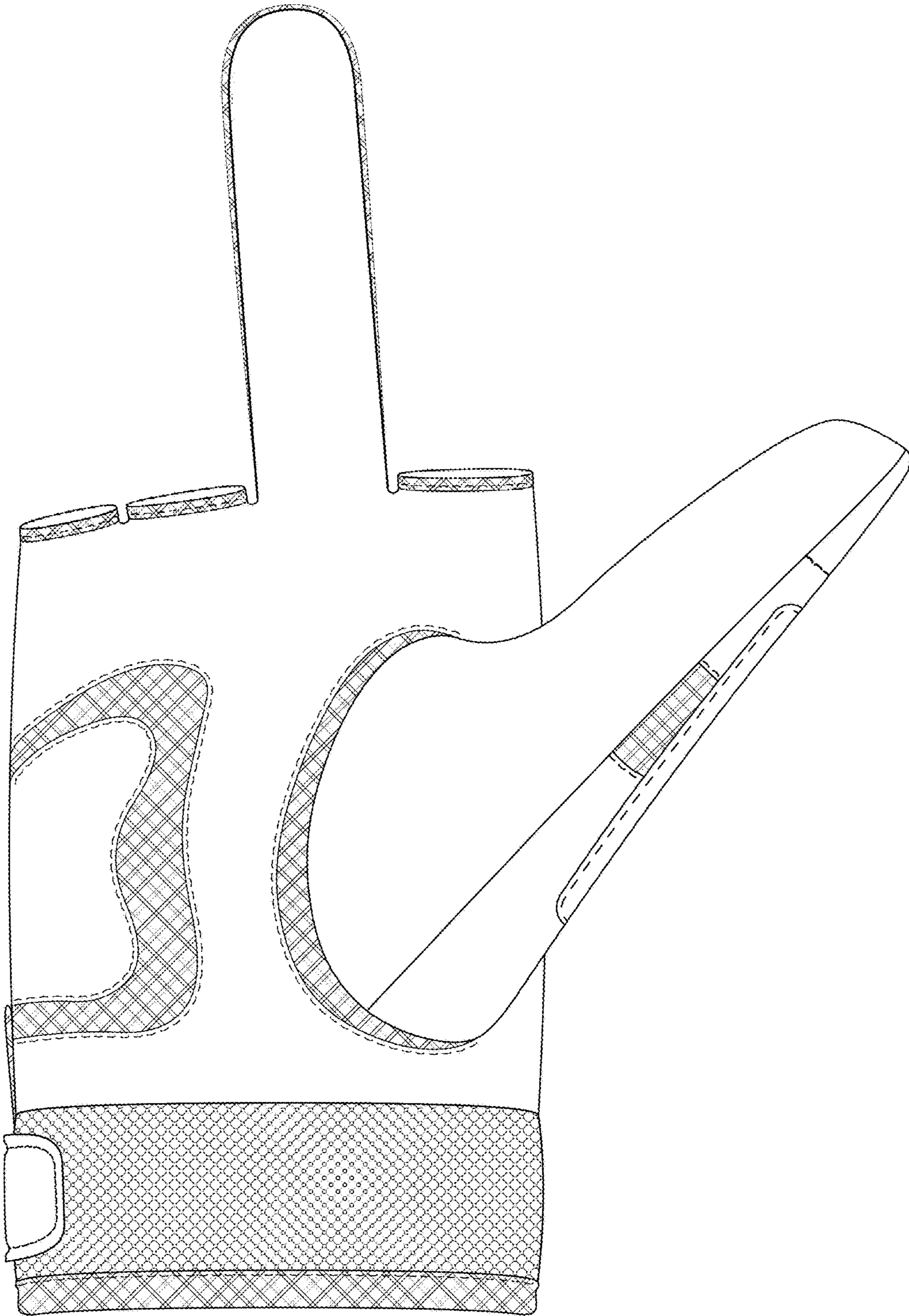


Fig. 2

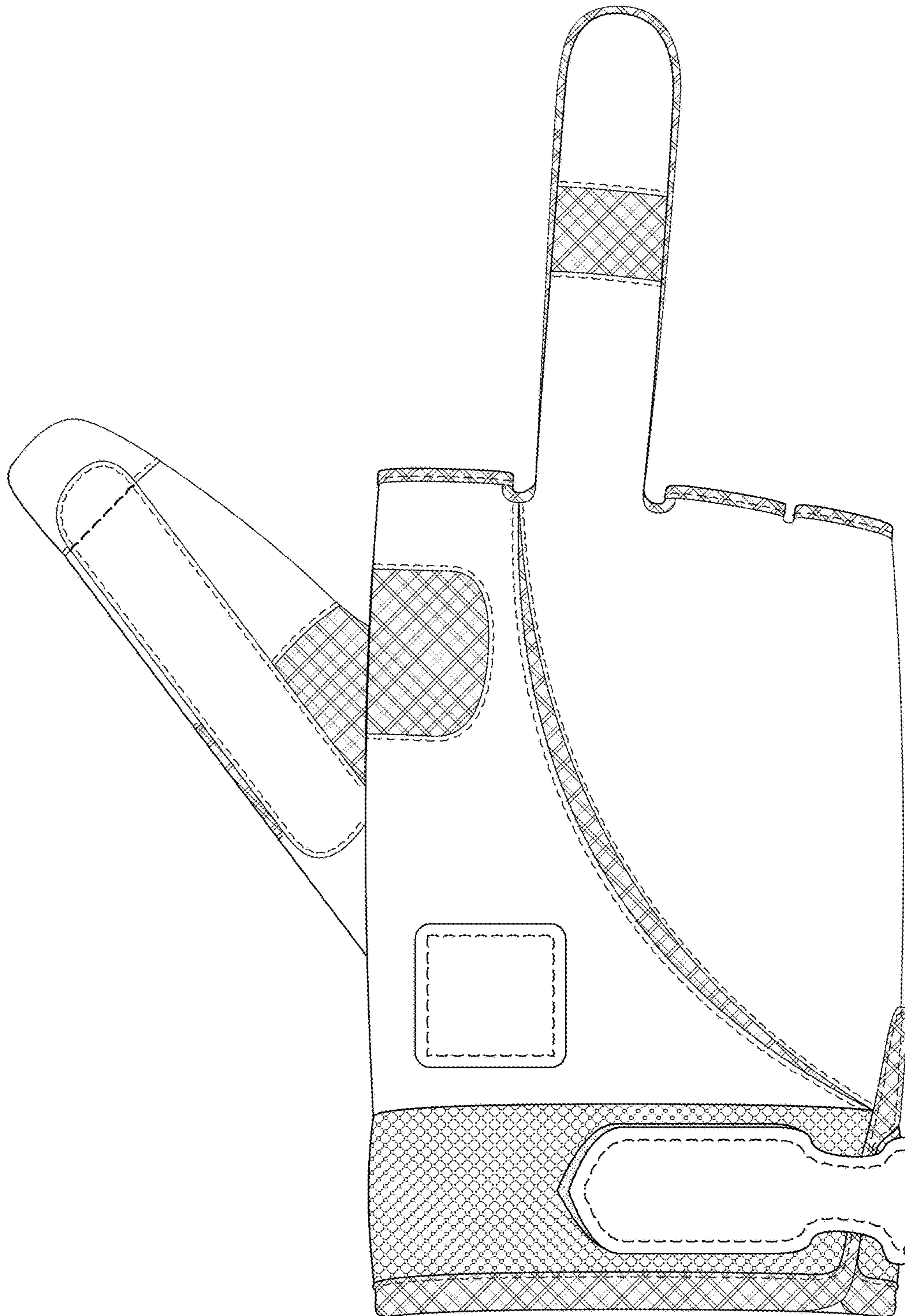


Fig. 3

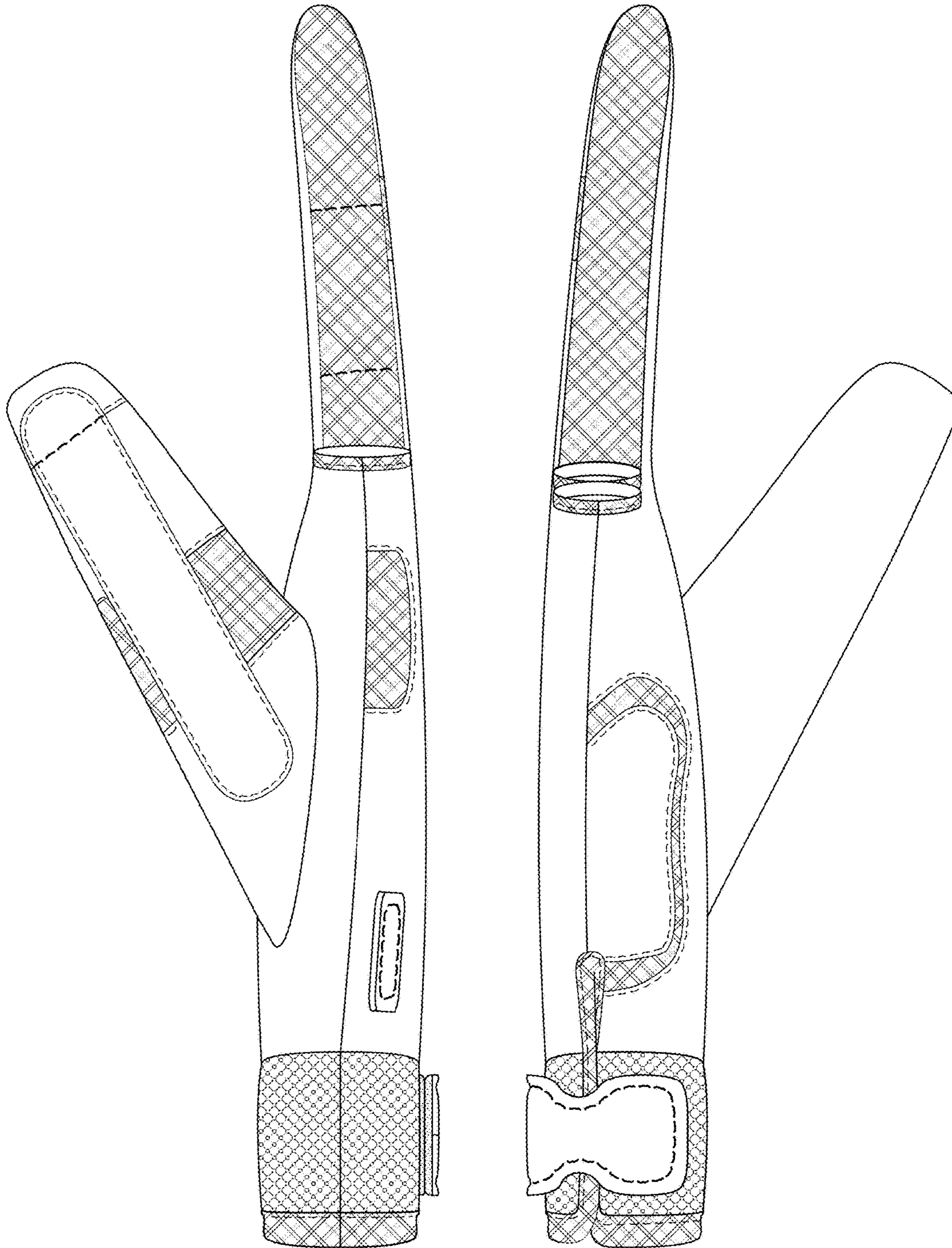


Fig. 4

Fig. 5

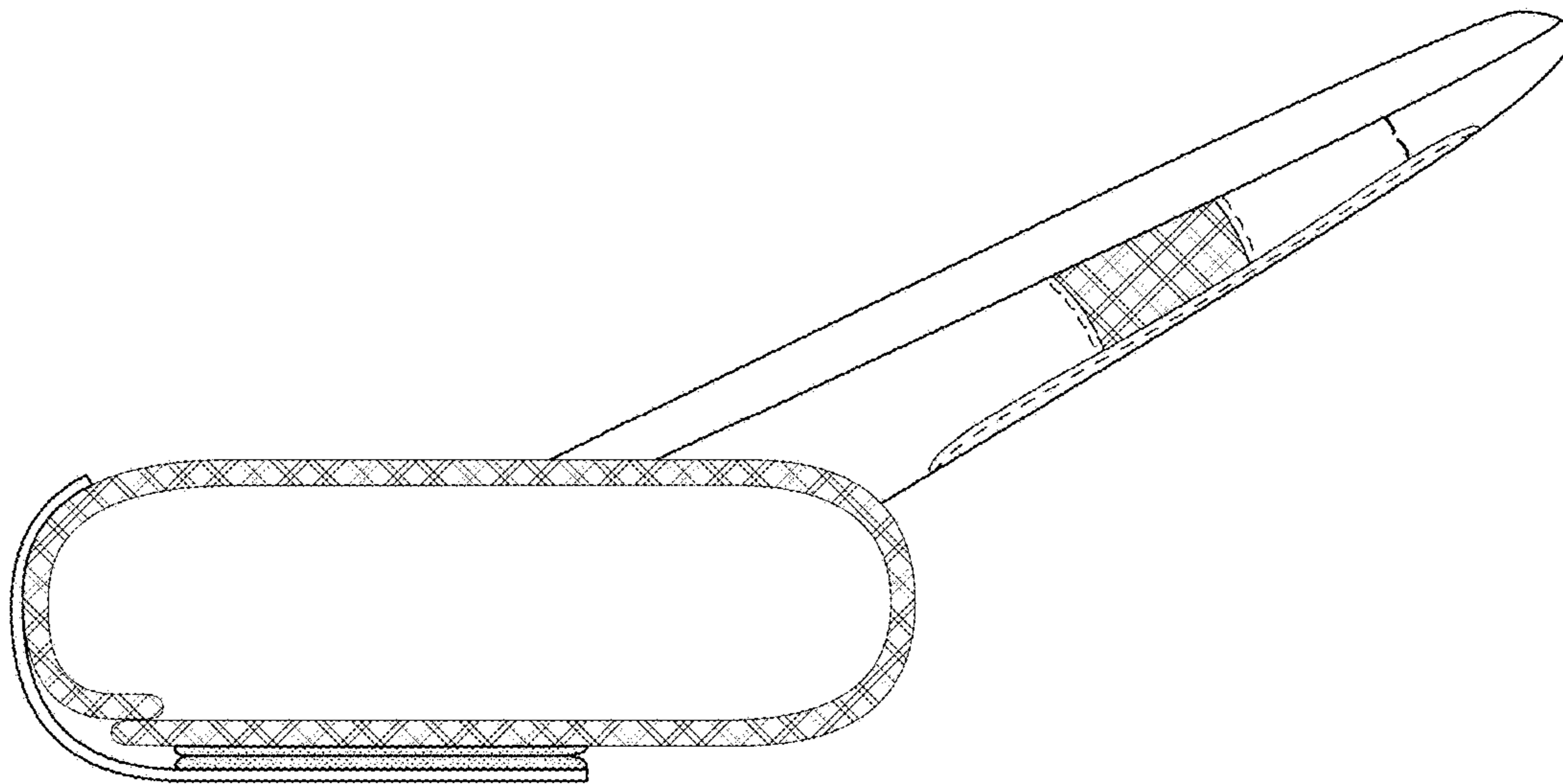


Fig. 6

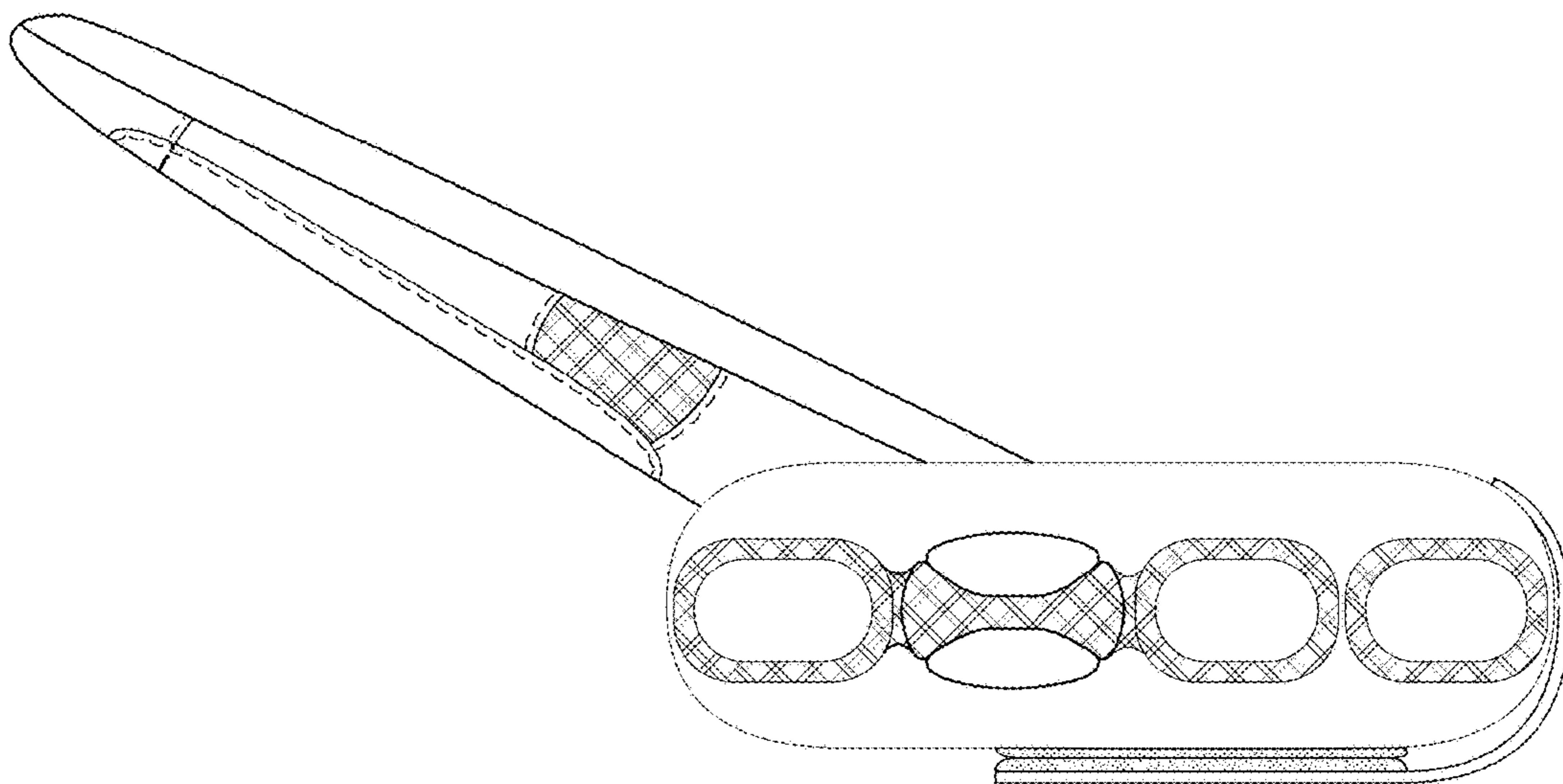


Fig. 7