



US00D856591S

(12) **United States Design Patent** (10) **Patent No.:** **US D856,591 S**  
**Davies et al.** (45) **Date of Patent:** **\*\* Aug. 13, 2019**

(54) **VEST**

(71) Applicant: **Immersence Inc.**, Montreal (CA)

(72) Inventors: **Char Davies**, Montreal (CA); **Glen Fraser**, Barcelona (ES); **Dilnoza Shaumarova**, Barcelona (ES); **Giovanni Marco Zaccaria**, Gallipoli (IT)

(73) Assignee: **IMMERSENCE INC.**, Montreal, Quebec (CA)

(\*\*) Term: **15 Years**

(21) Appl. No.: **29/644,407**

(22) Filed: **Apr. 17, 2018**

(30) **Foreign Application Priority Data**

Oct. 23, 2017 (CA) ..... 177716

(51) **LOC (12) Cl.** ..... **29-02**

(52) **U.S. Cl.**  
USPC ..... **D29/101.1**

(58) **Field of Classification Search**

USPC ..... D29/100, 101.1-101.4, 122, 124;  
D2/626, 628, 629; D3/215, 218, 219,  
D3/221, 226, 322, 327; D24/190;  
359/362, 519; 182/3, 4, 5, 6, 9, 133;  
2/300, 310, 311; D10/111; 224/259,  
224/576, 603, 606, 623, 627, 647;  
D21/683; D30/152; 119/770; 297/485

CPC ..... A45F 5/00

See application file for complete search history.

(56) **References Cited**

U.S. PATENT DOCUMENTS

D500,920 S *	1/2005	Koenig	.....	D3/216
D636,964 S *	4/2011	Thomas	.....	D29/101.1
D708,436 S *	7/2014	Cariglio	.....	D2/829
D812,307 S *	3/2018	Nieberding	.....	D29/101.4

\* cited by examiner

*Primary Examiner* — Randall H Gholson

(74) *Attorney, Agent, or Firm* — Donald J. Ranft; Collen IP

(57) **CLAIM**

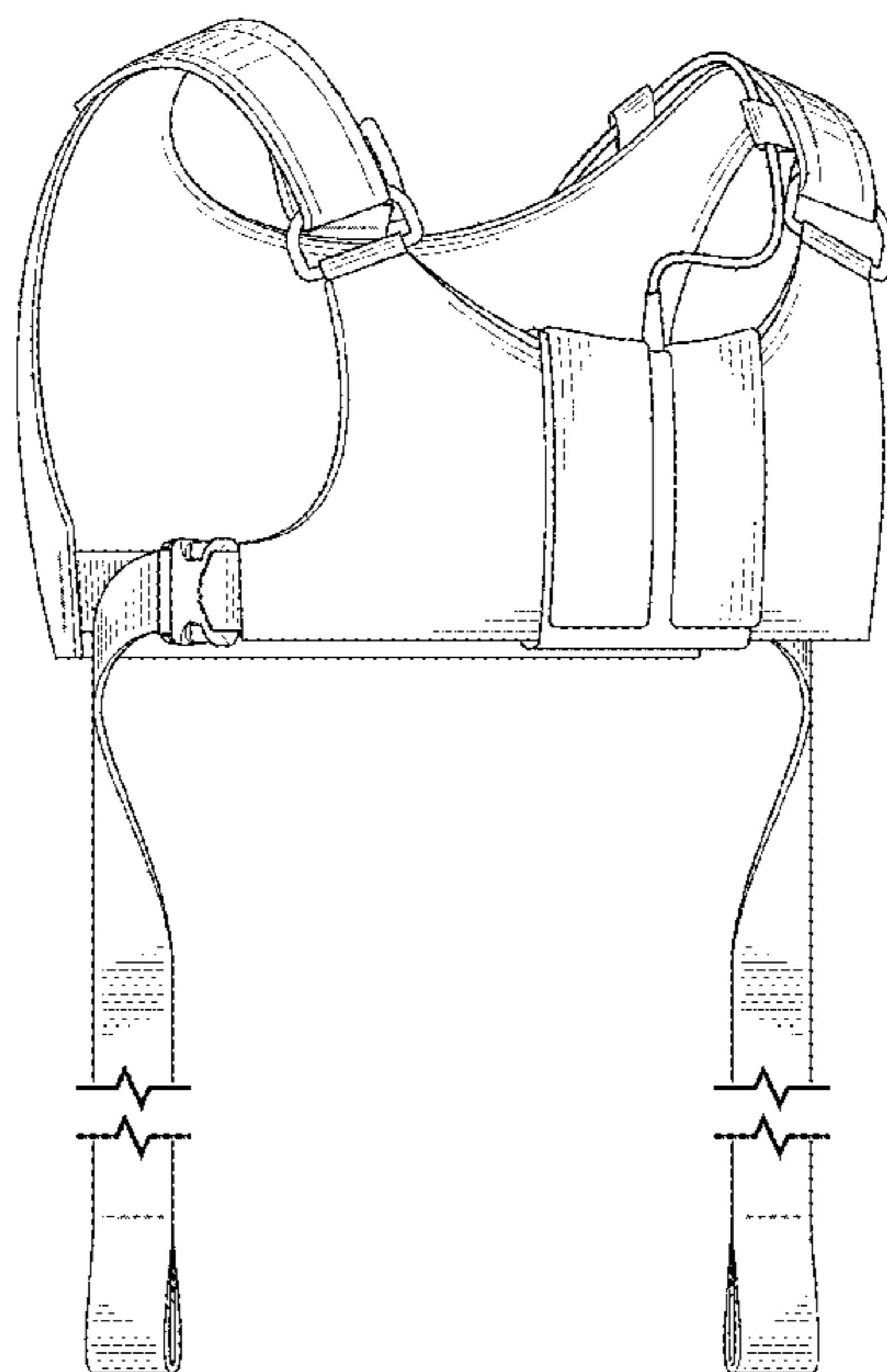
The ornamental design for a vest, as shown and described.

**DESCRIPTION**

FIG. 1 is a front perspective view of a vest in a closed position showing our new design;  
 FIG. 2 is a rear perspective view in a closed position thereof;  
 FIG. 3 is a front view in a closed position thereof;  
 FIG. 4 is a rear view in a closed position thereof;  
 FIG. 5 is a right side view in a closed position thereof;  
 FIG. 6 is a left side view in a closed position thereof;  
 FIG. 7 is a front perspective view as the vest will be worn thereof; and,  
 FIG. 8 is a rear perspective view as the vest will be worn thereof.

The broken lines on the drawings are for illustrative purposes only and form no part of the design.  
 The Article is shown with a symbolic break in its length. The appearance of any portion of the article between the break lines form no part of the claimed design.

**1 Claim, 7 Drawing Sheets**



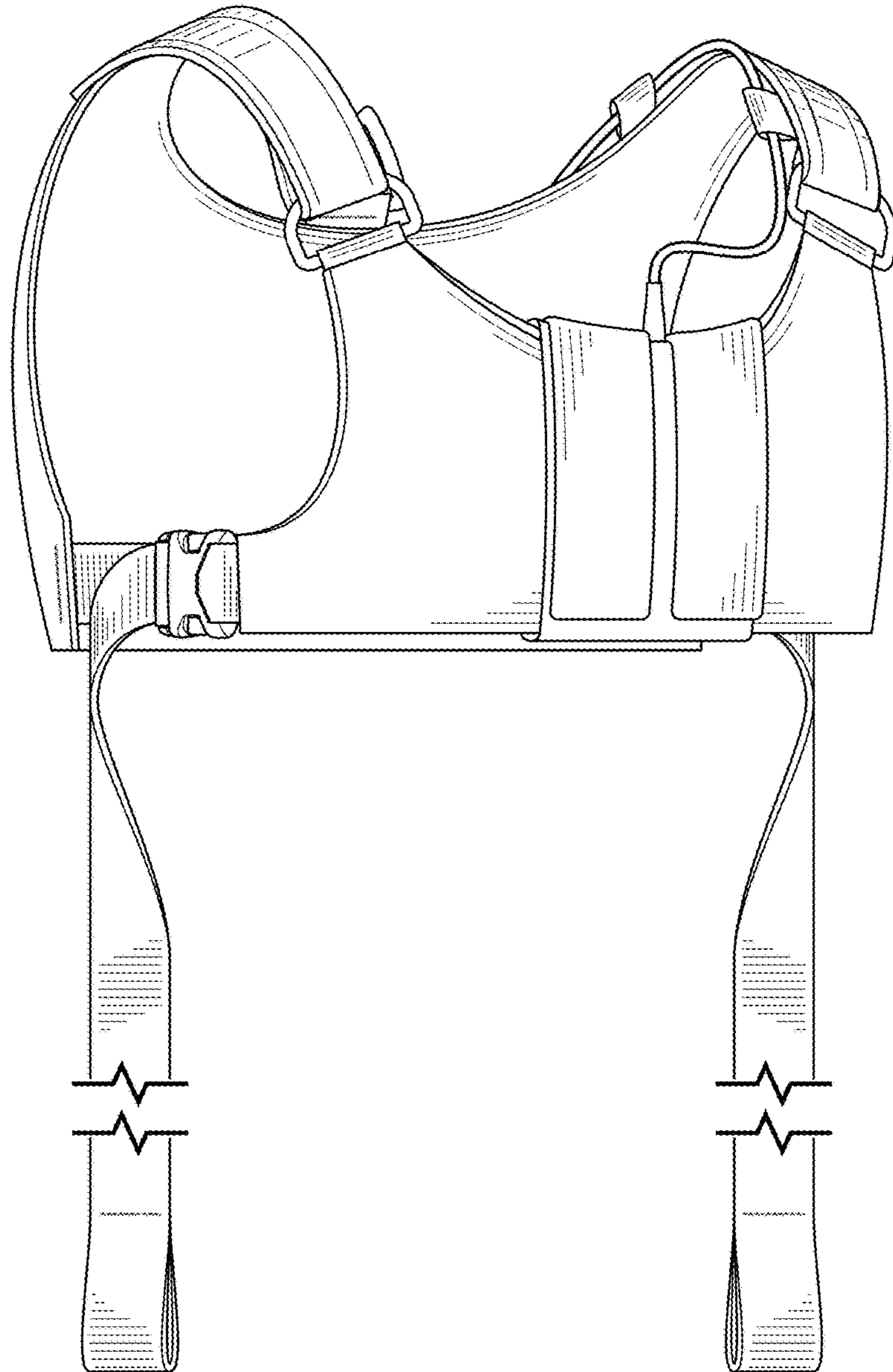


FIG. 1

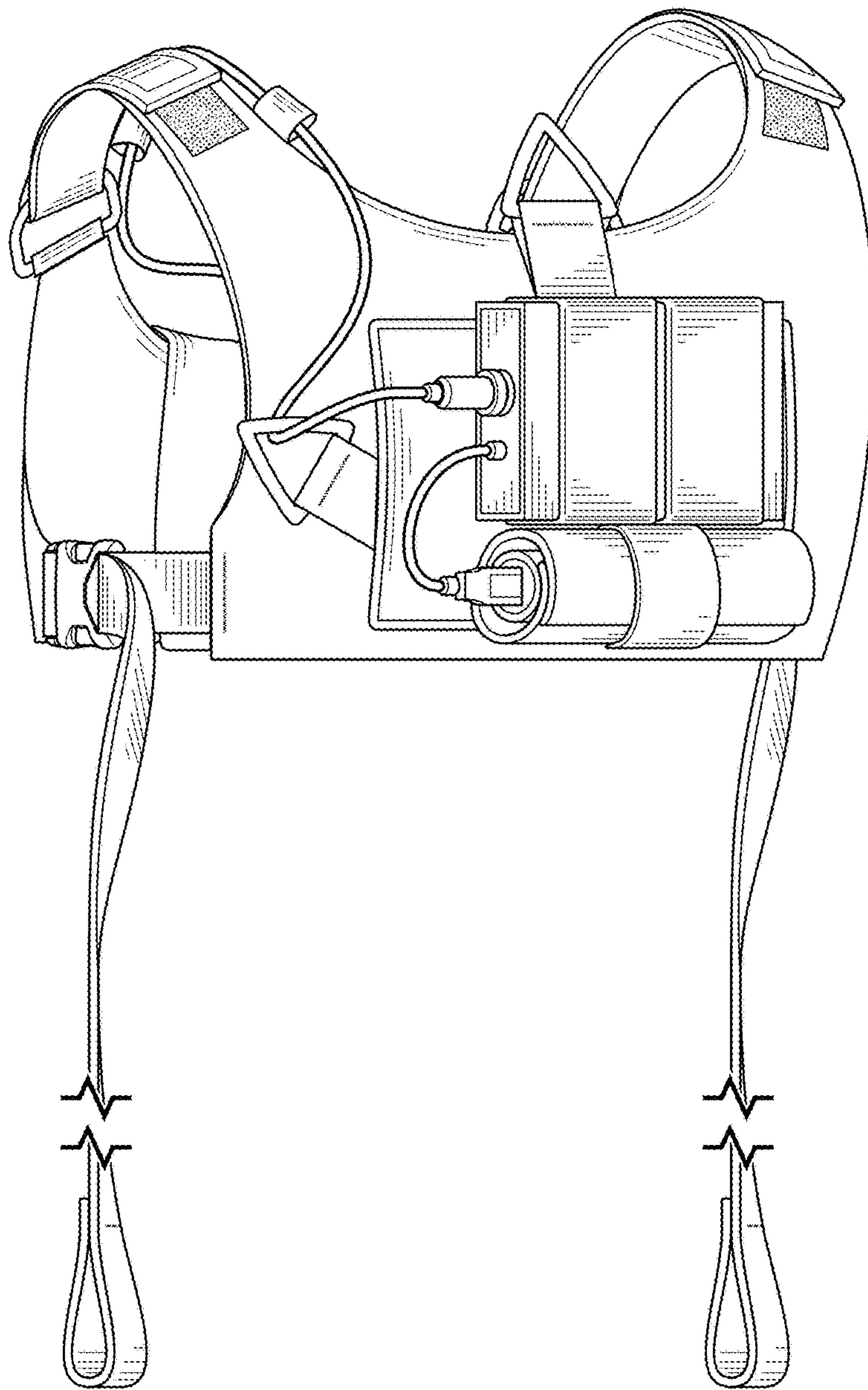


FIG. 2

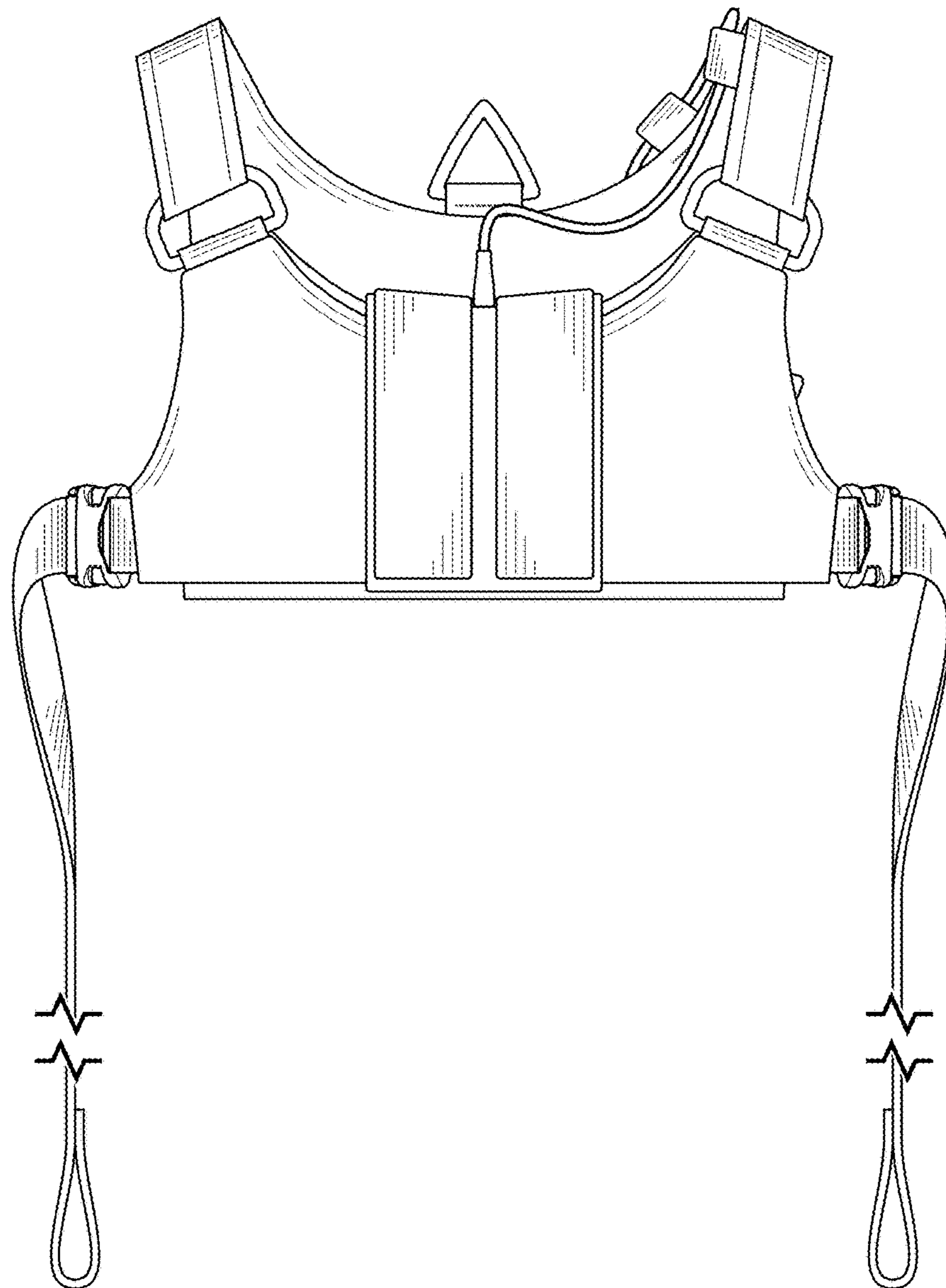


FIG. 3

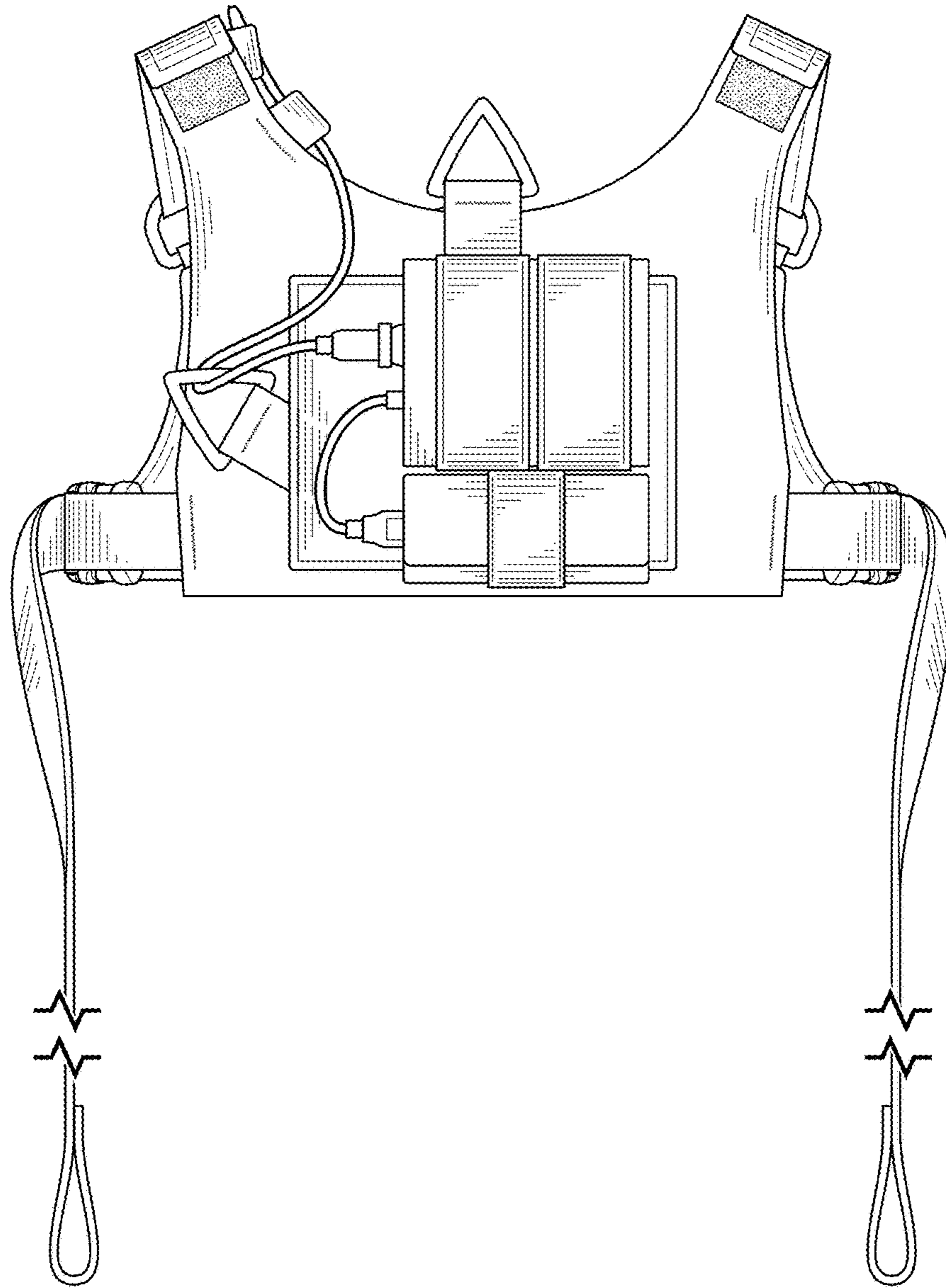


FIG. 4

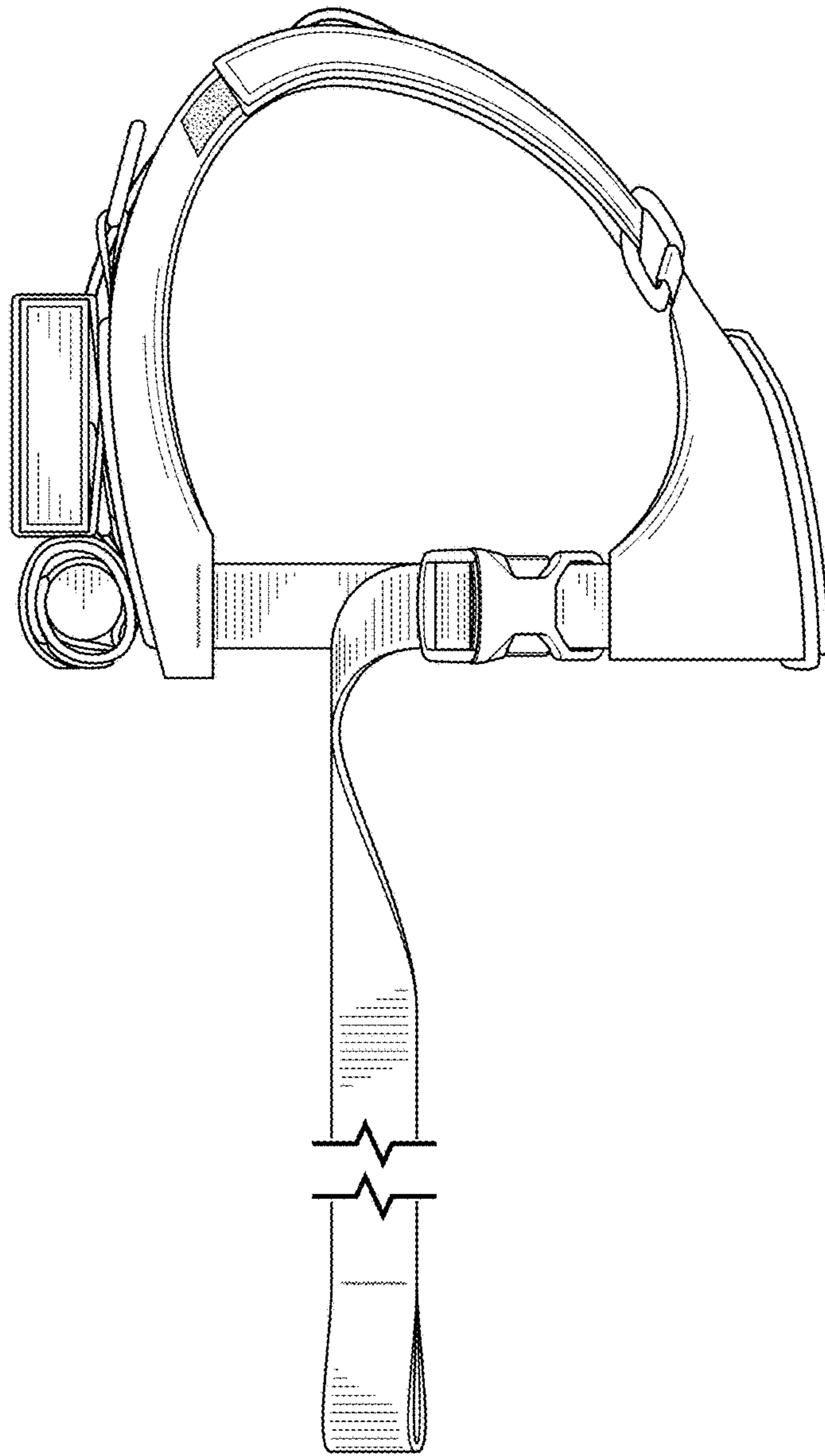


FIG. 5

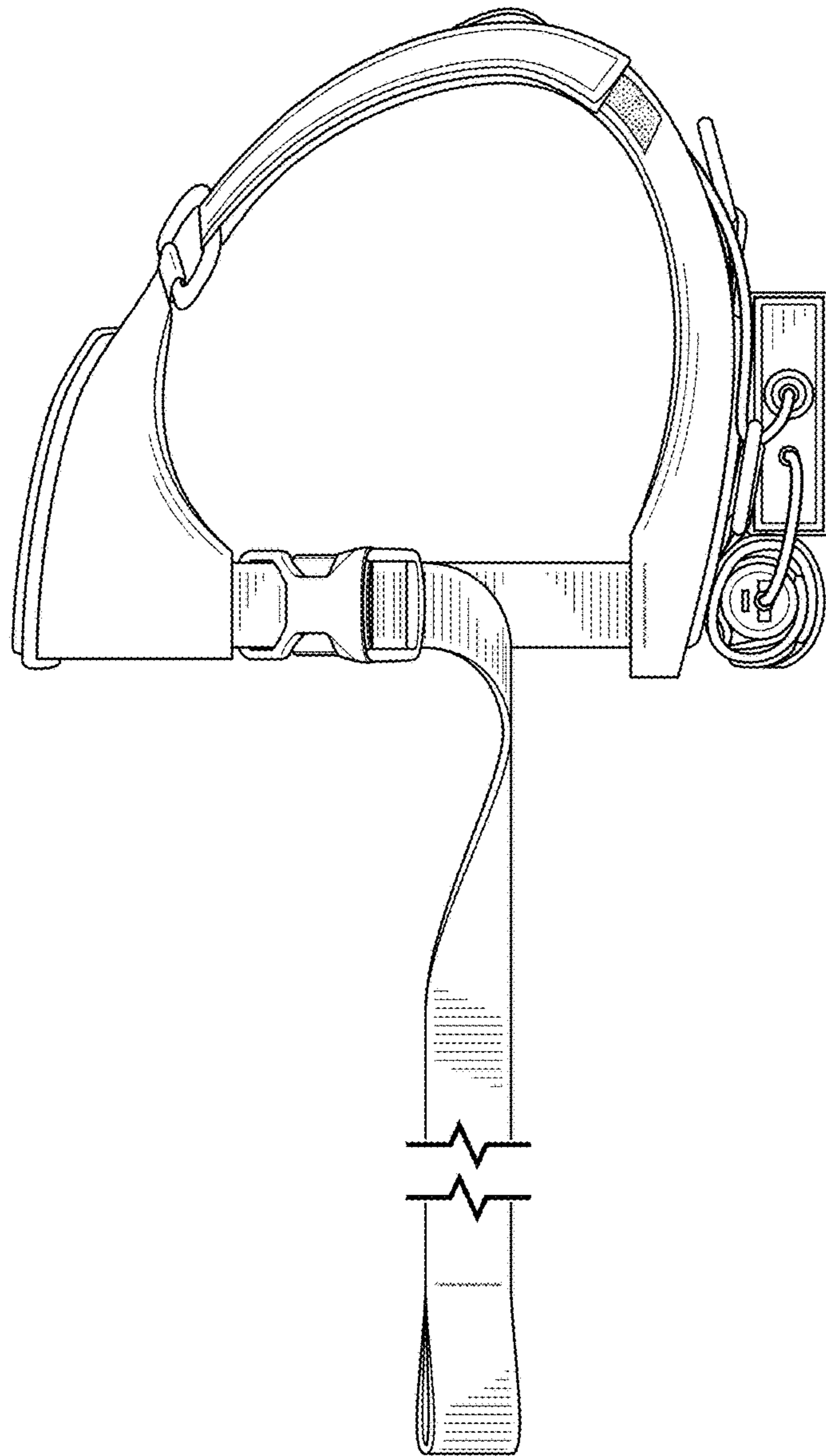


FIG. 6

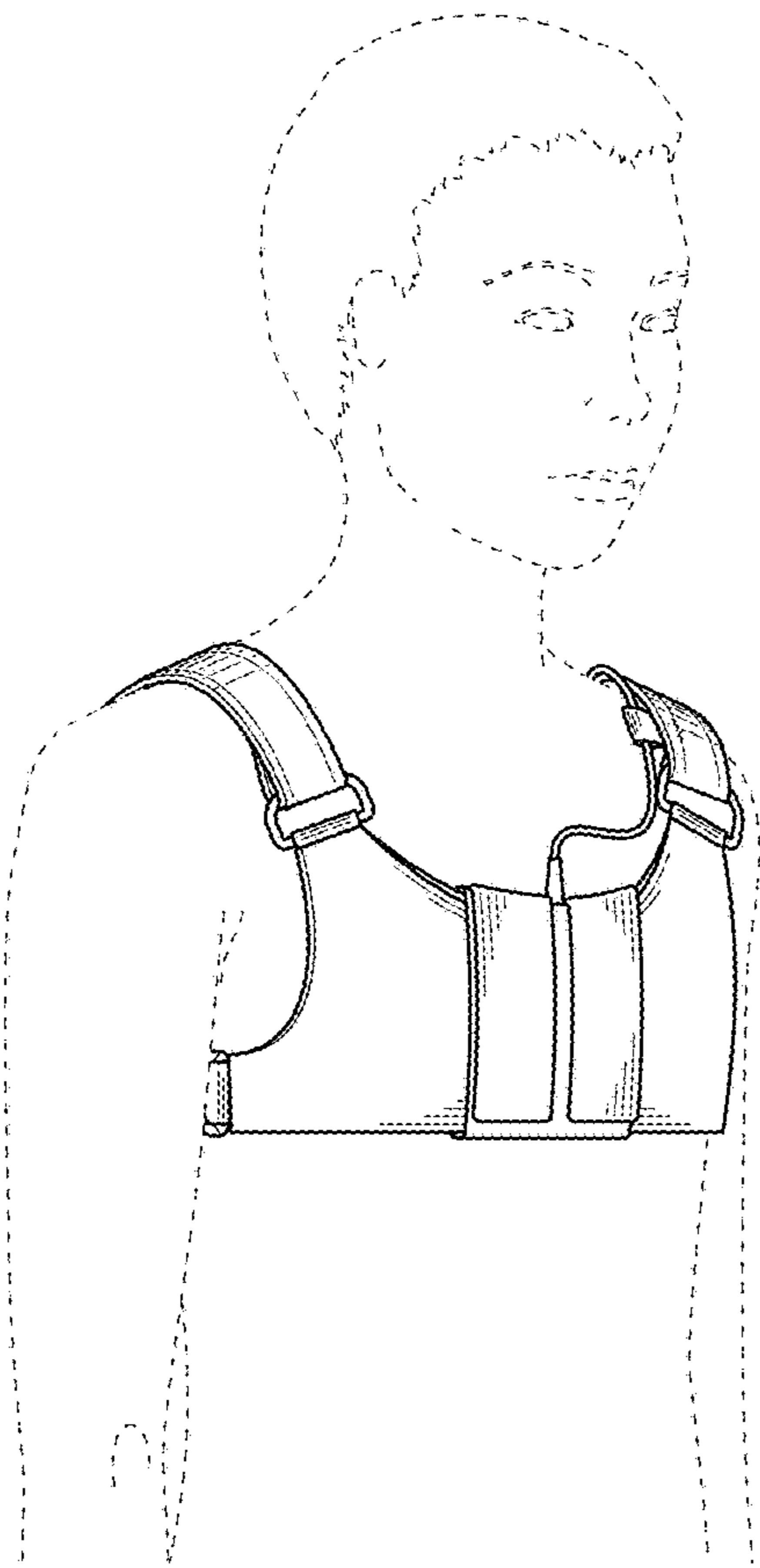


FIG. 7

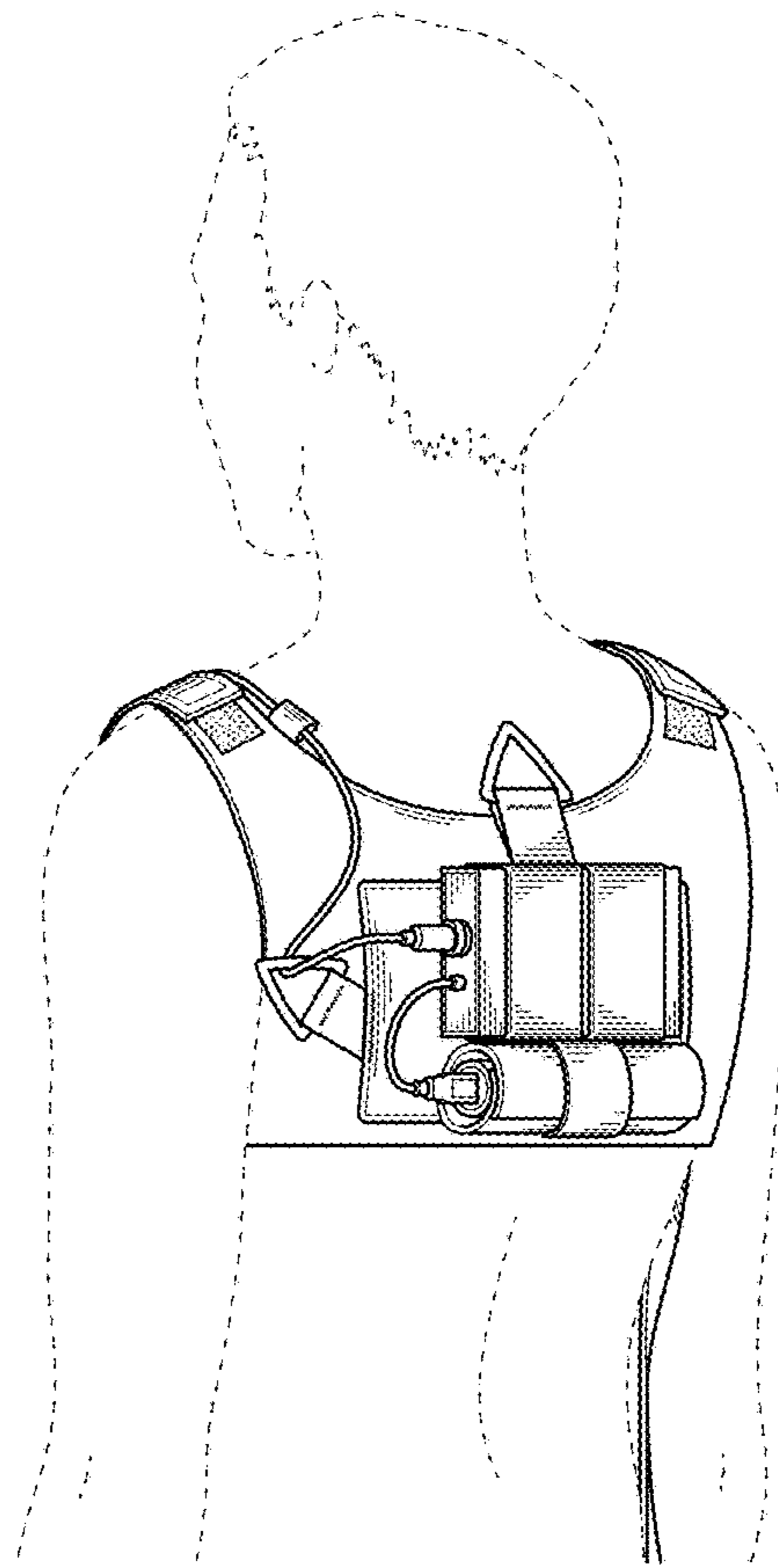


FIG. 8