



US00D856589S

(12) **United States Design Patent**  
**Park**

(10) **Patent No.:** **US D856,589 S**

(45) **Date of Patent:** **\*\* Aug. 13, 2019**

(54) **CONTAINER FOR COSMETIC PRODUCTS**

(71) Applicant: **Purplepatch**, Seoul (KR)

(72) Inventor: **Jong Hyun Park**, Gyeonggi-do (KR)

(73) Assignee: **PURPLEPATCH**, Seoul (KR)

(\*\*) Term: **15 Years**

(21) Appl. No.: **29/604,010**

(22) Filed: **May 15, 2017**

(30) **Foreign Application Priority Data**

Dec. 30, 2016 (KR) ..... 30-2016-0064480

(51) **LOC (12) Cl.** ..... **28-03**

(52) **U.S. Cl.**  
USPC ..... **D28/83**

(58) **Field of Classification Search**  
USPC ..... D28/76-87; D21/455; D3/200, 203.1,  
D3/203.2, 203.3, 294; D9/414, 420, 426  
CPC .. A45D 40/00; A45D 40/02-10; A45D 33/00;  
A45D 33/14; A45D 34/06; A45D 34/041;  
A45D 34/04; A45D 40/18; A45D 40/26;  
A45D 40/262; A45D 40/22; A45D 40/222  
See application file for complete search history.

(56) **References Cited**

**U.S. PATENT DOCUMENTS**

- 4,807,773 A \* 2/1989 Tsai ..... A45D 33/24  
132/296
- 6,302,120 B1 \* 10/2001 Kuo ..... A45C 11/00  
132/295
- D479,016 S \* 8/2003 Sgariboldi ..... D28/78
- D576,770 S \* 9/2008 Mascotte ..... D28/83
- D716,500 S \* 10/2014 Parker ..... D28/83

- D721,854 S \* 1/2015 Parker ..... D28/83
- D722,205 S \* 2/2015 Parker ..... D28/83
- D723,218 S \* 2/2015 Goswell ..... D28/83
- D736,468 S \* 8/2015 Goswell ..... D28/83
- D815,358 S \* 4/2018 Wolfe ..... D28/83
- D823,544 S \* 7/2018 Nguyen ..... D28/83
- 2013/0104927 A1 \* 5/2013 Hurst ..... A45D 19/0008  
132/221
- 2016/0270507 A1 \* 9/2016 Thompson ..... A45D 40/24

**OTHER PUBLICATIONS**

Milimage Beauty Pouch by Purplepatch, retrieved on Jul. 30, 2018, retrieved from the Internet URL: <https://ifworlddesignguide.com/entry/232937-milimage-beauty-pouch>.\*

\* cited by examiner

*Primary Examiner* — Jennifer Rivard

*Assistant Examiner* — Alison M Ofstun

(74) *Attorney, Agent, or Firm* — Stetina Brunda Garred and Brucker; Mark B. Garred

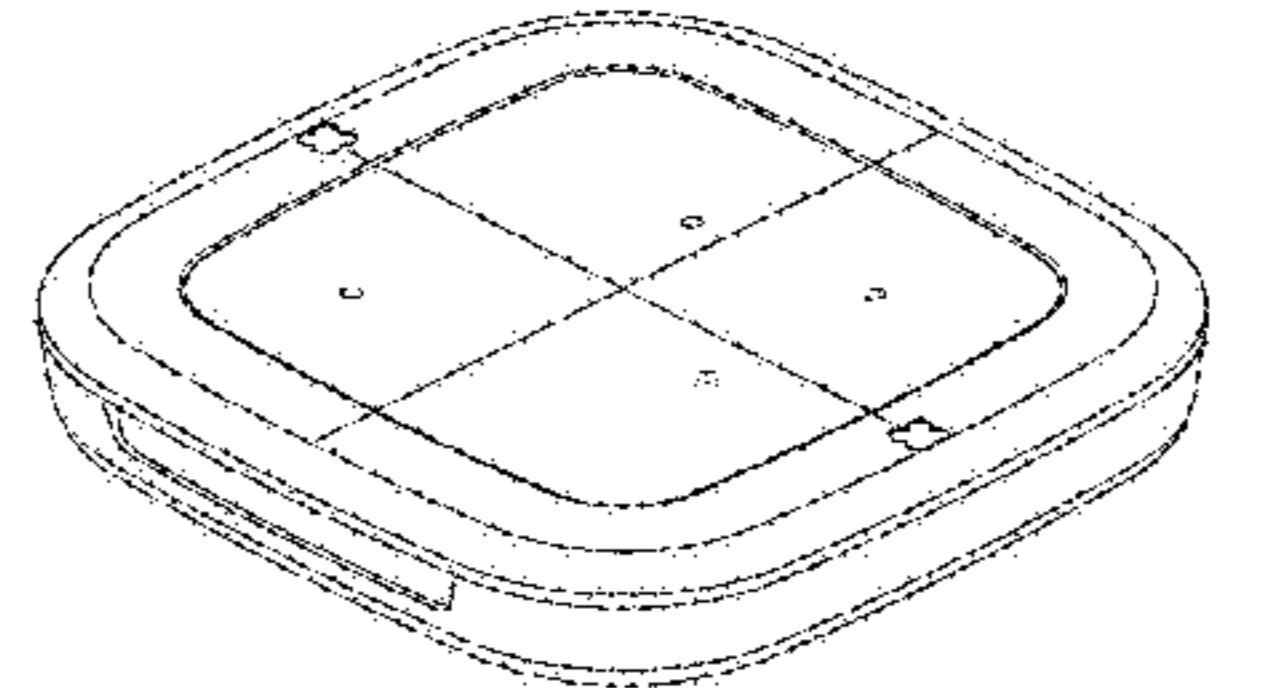
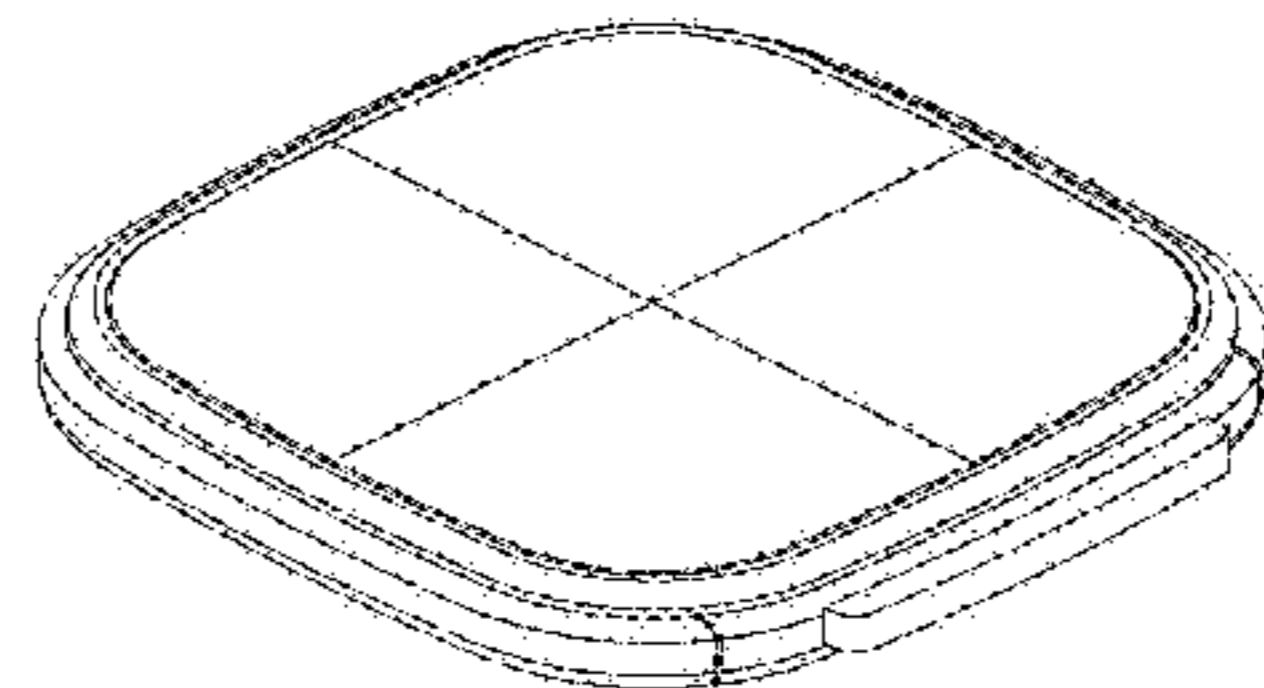
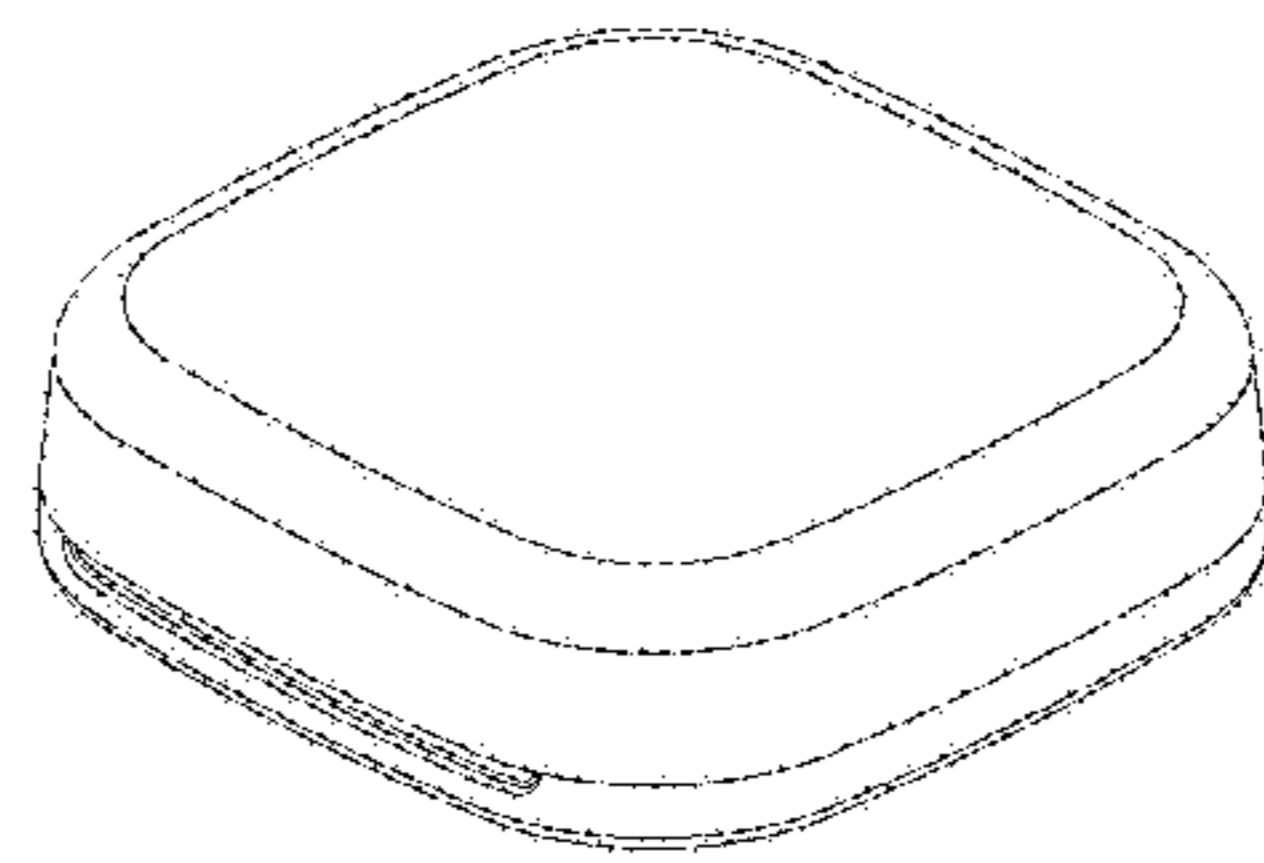
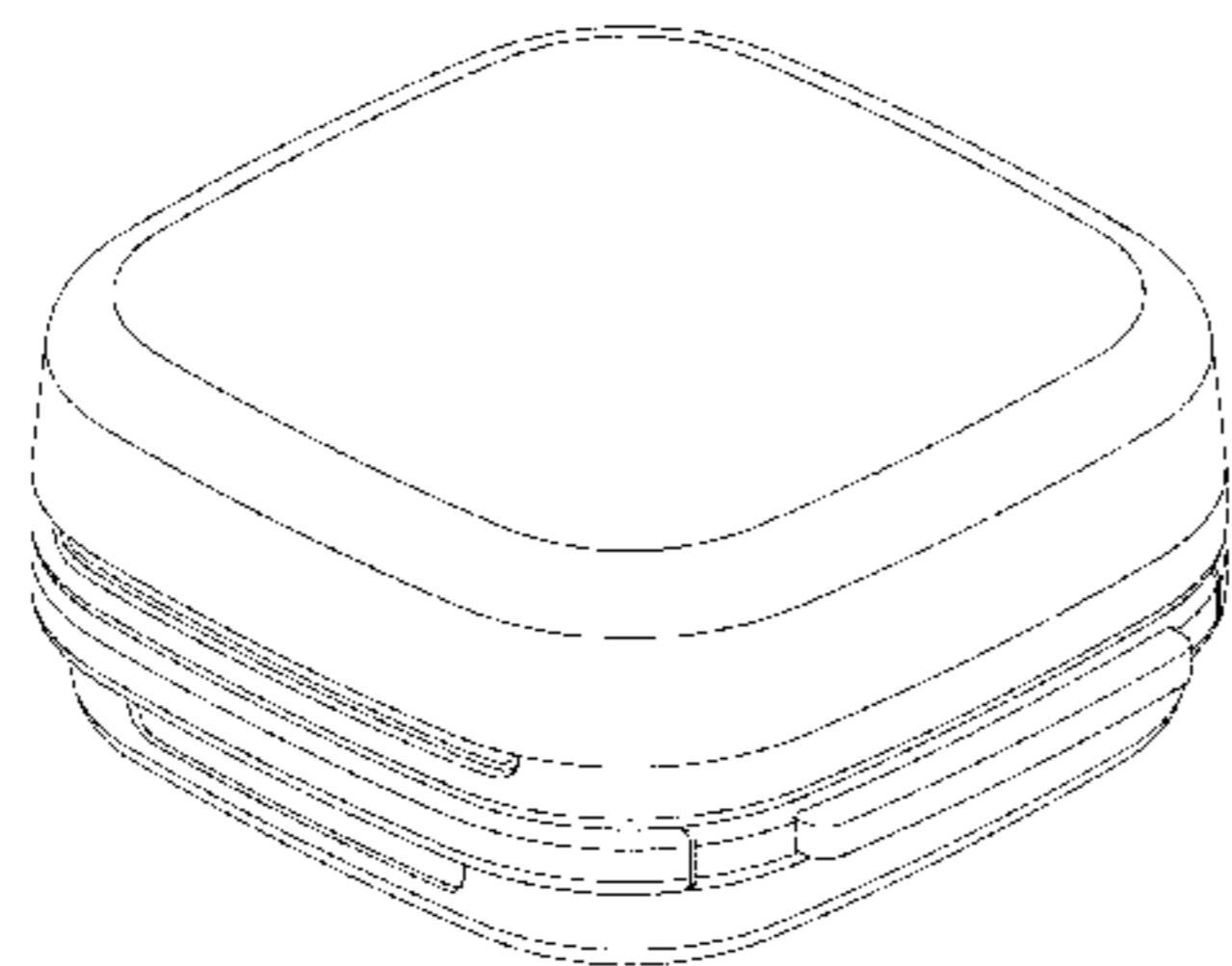
(57) **CLAIM**

The ornamental design for a container for cosmetic products, as shown and described.

**DESCRIPTION**

FIG. 1 is a top perspective view of the container for cosmetic products showing my new design;  
FIG. 2 is a front view thereof;  
FIG. 3 is a rear view thereof;  
FIG. 4 is a left side view thereof;  
FIG. 5 is a right side view thereof;  
FIG. 6 is a top view thereof;  
FIG. 7 is a bottom view thereof; and,  
FIG. 8 is an exploded perspective view thereof.

**1 Claim, 6 Drawing Sheets**



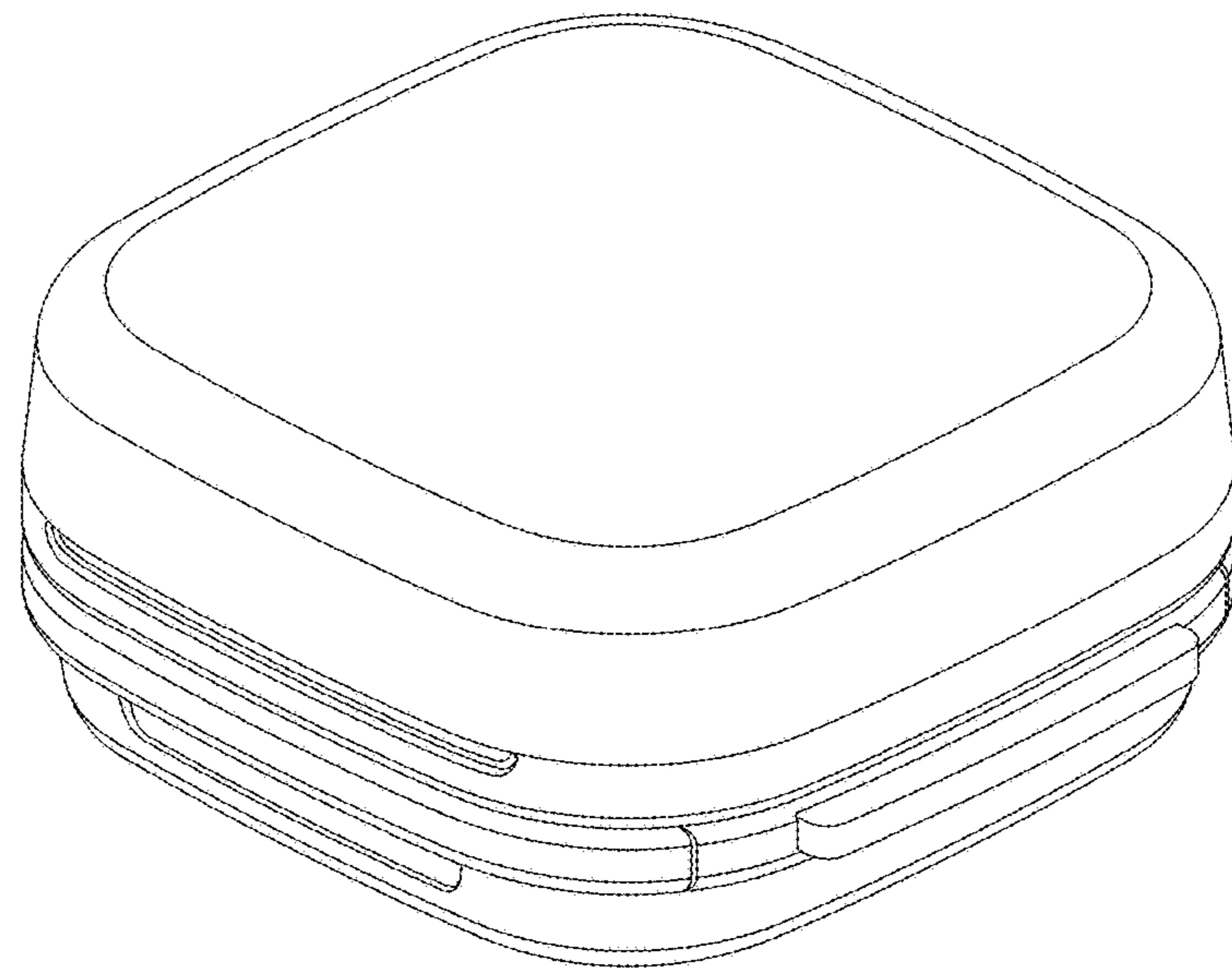


FIG. 1

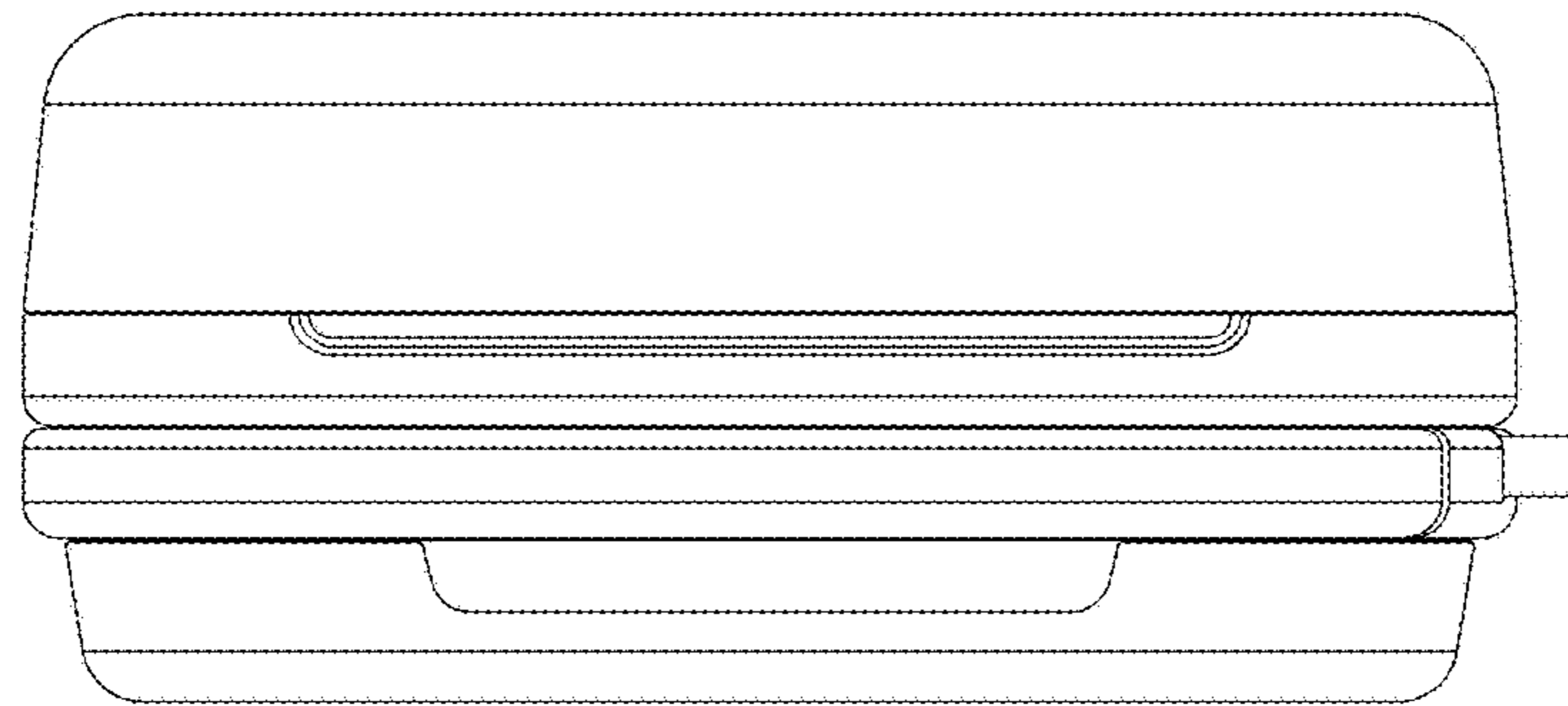


FIG. 2

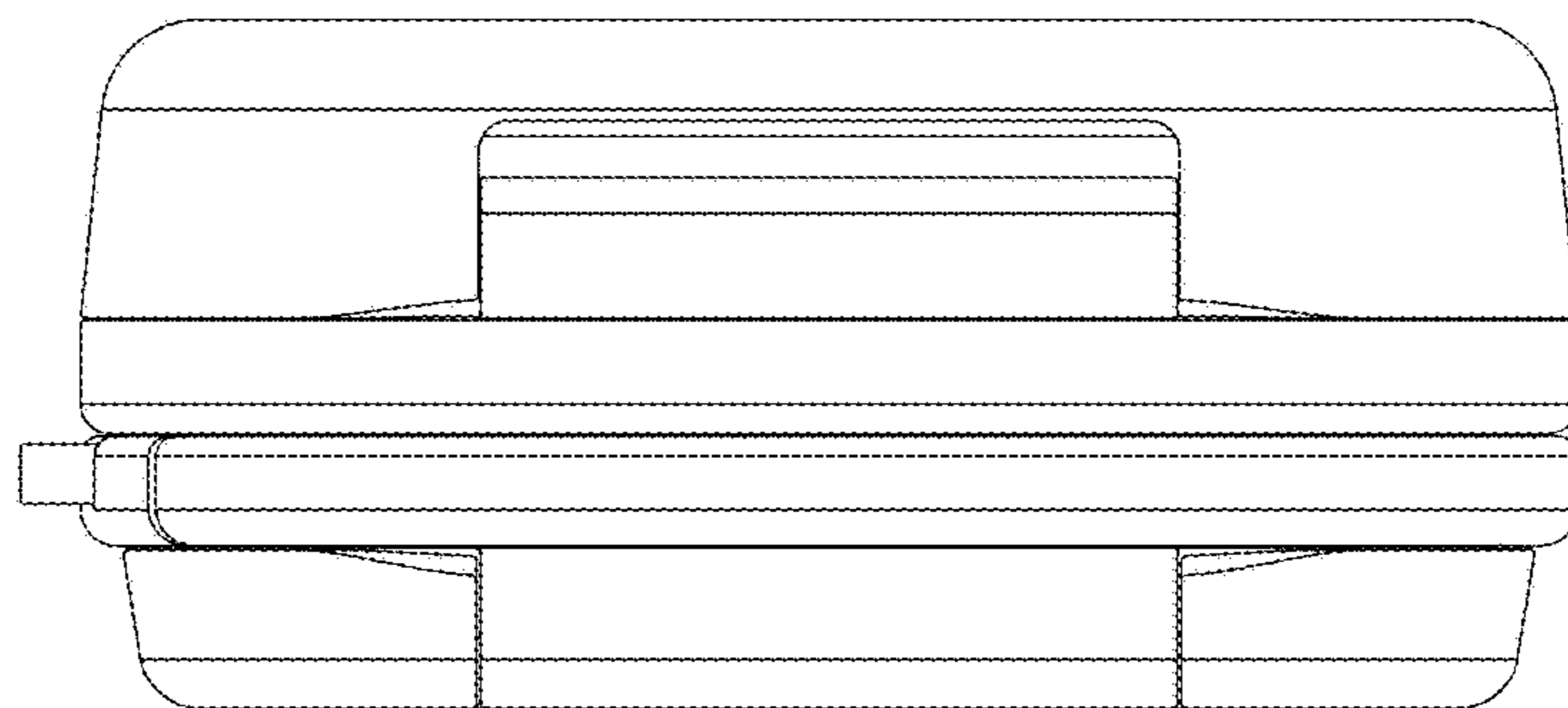


FIG. 3

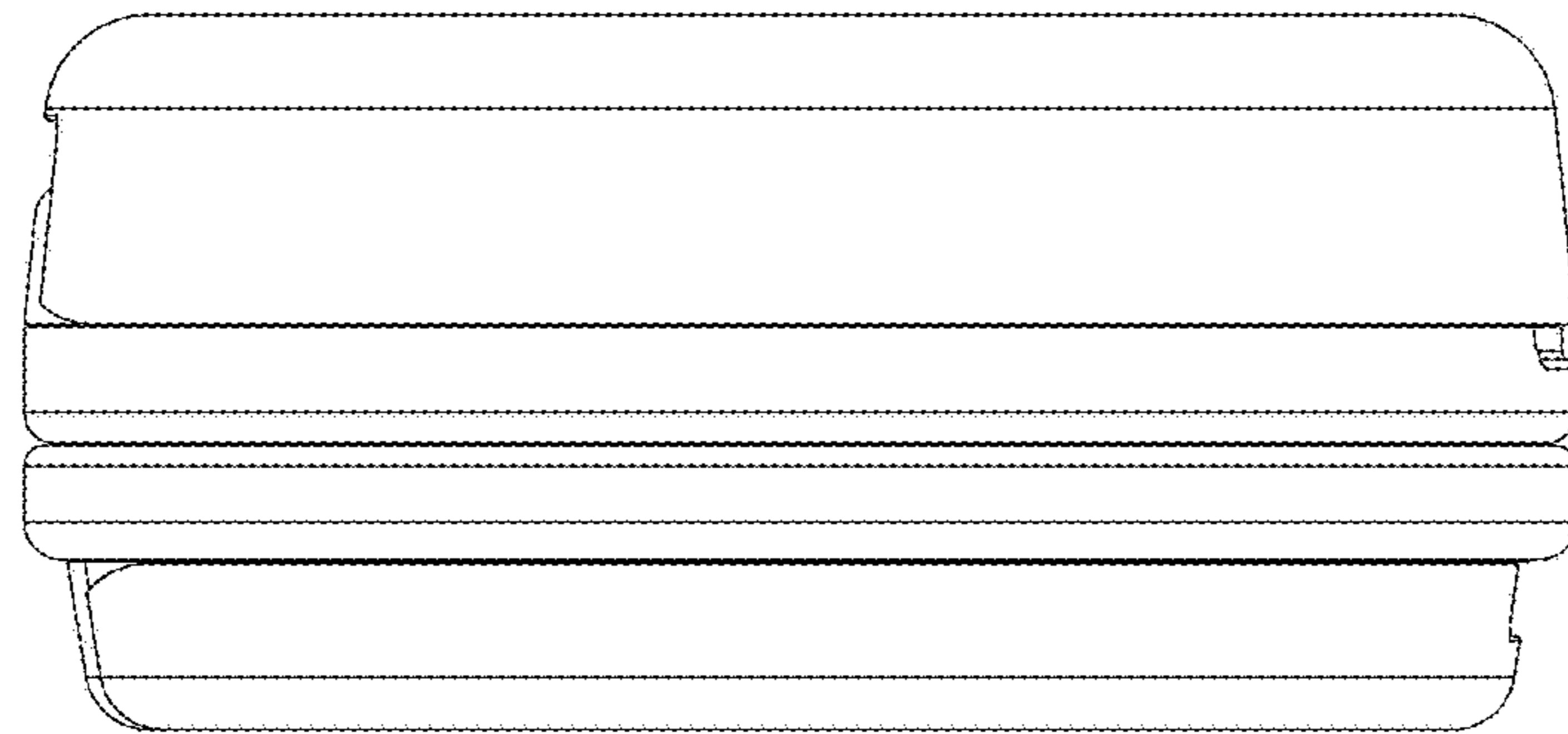


FIG. 4

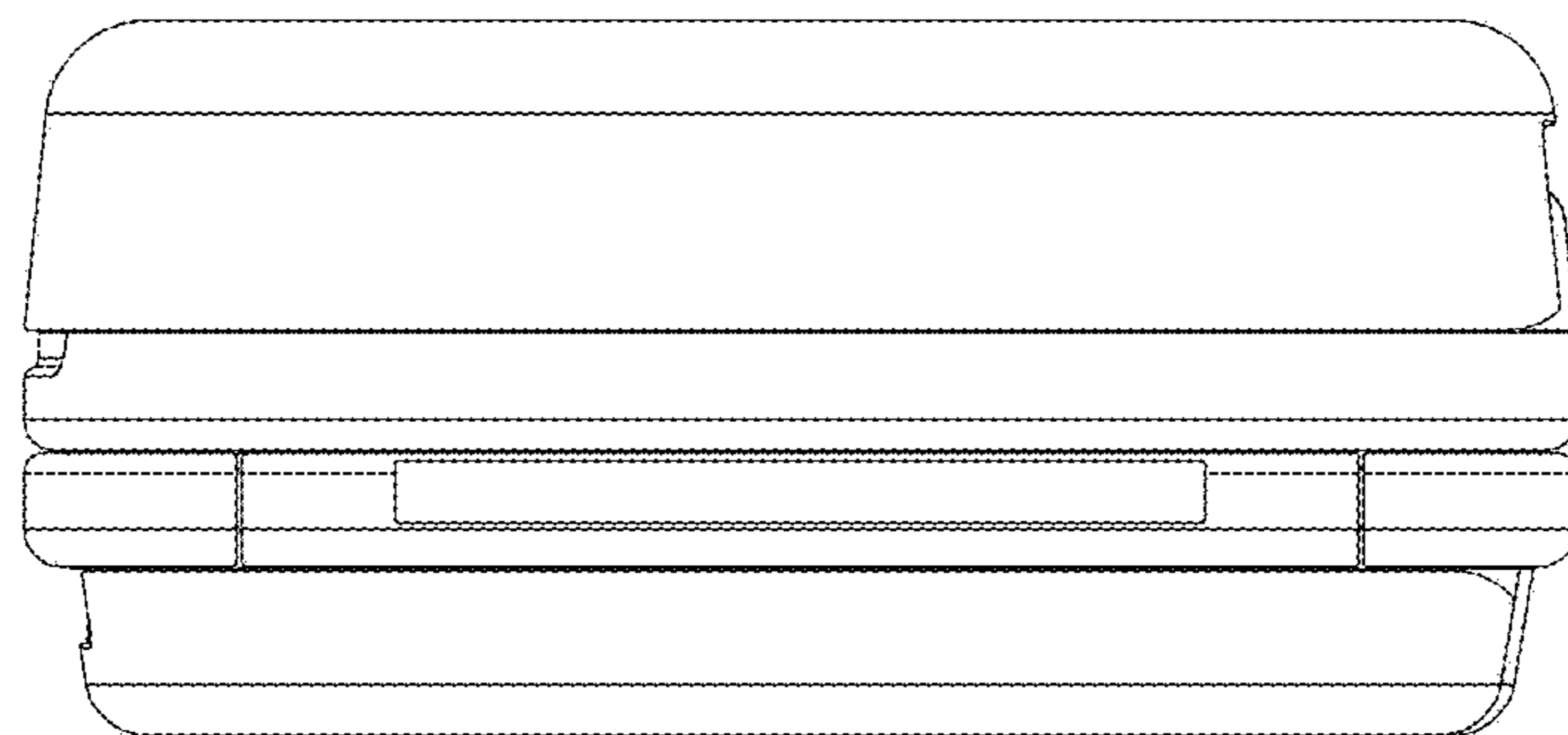


FIG. 5

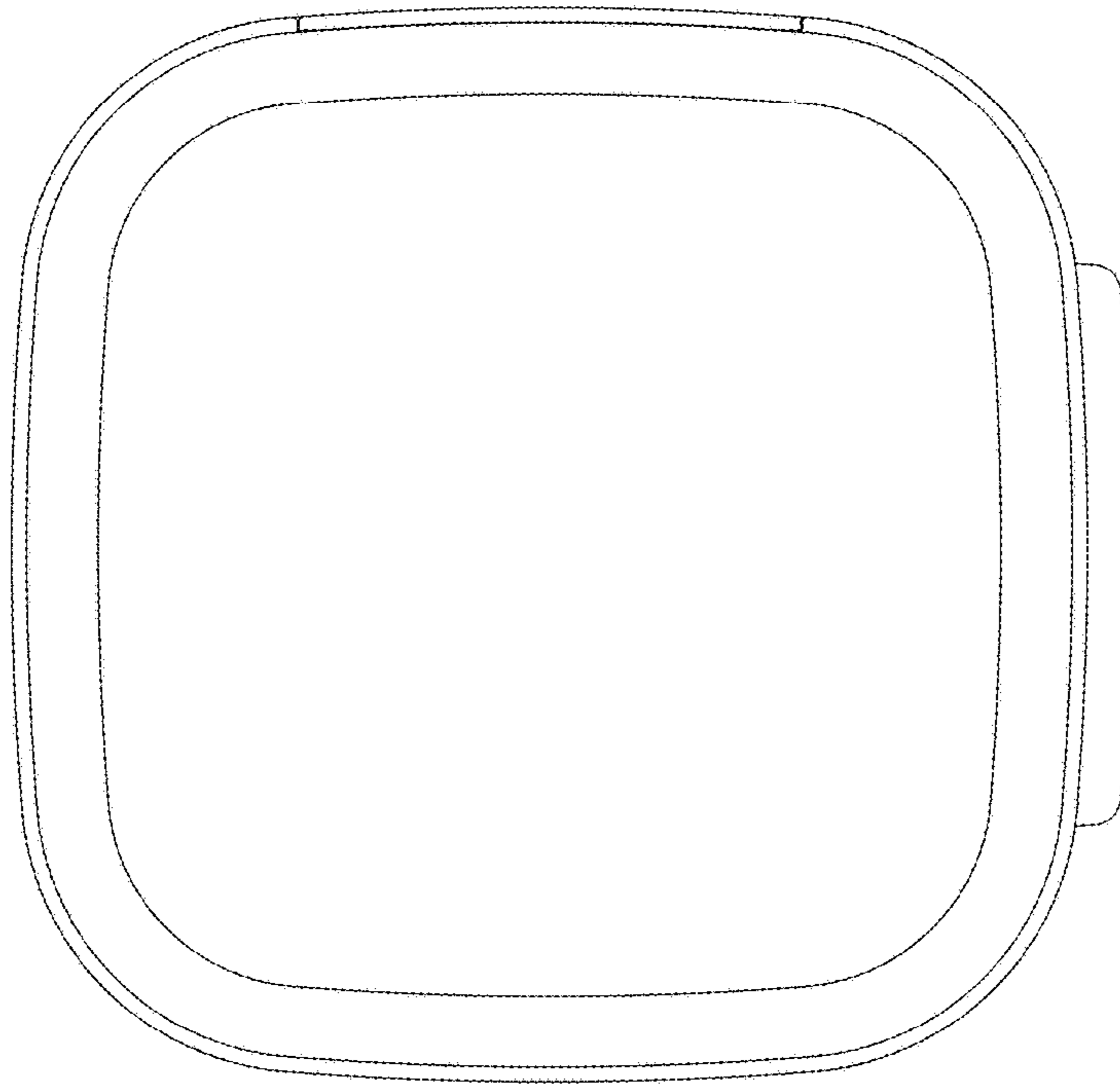


FIG. 6

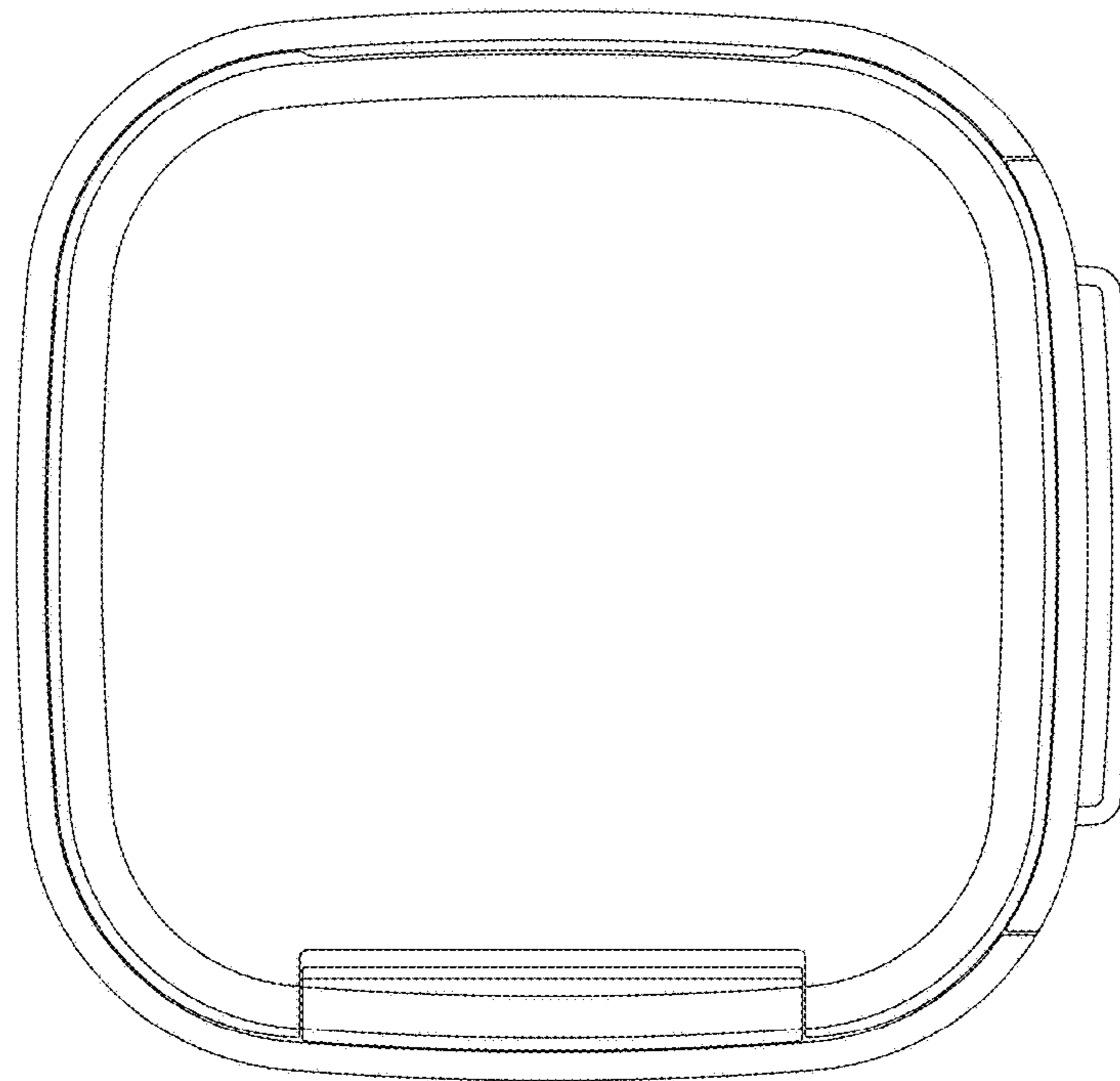


FIG. 7

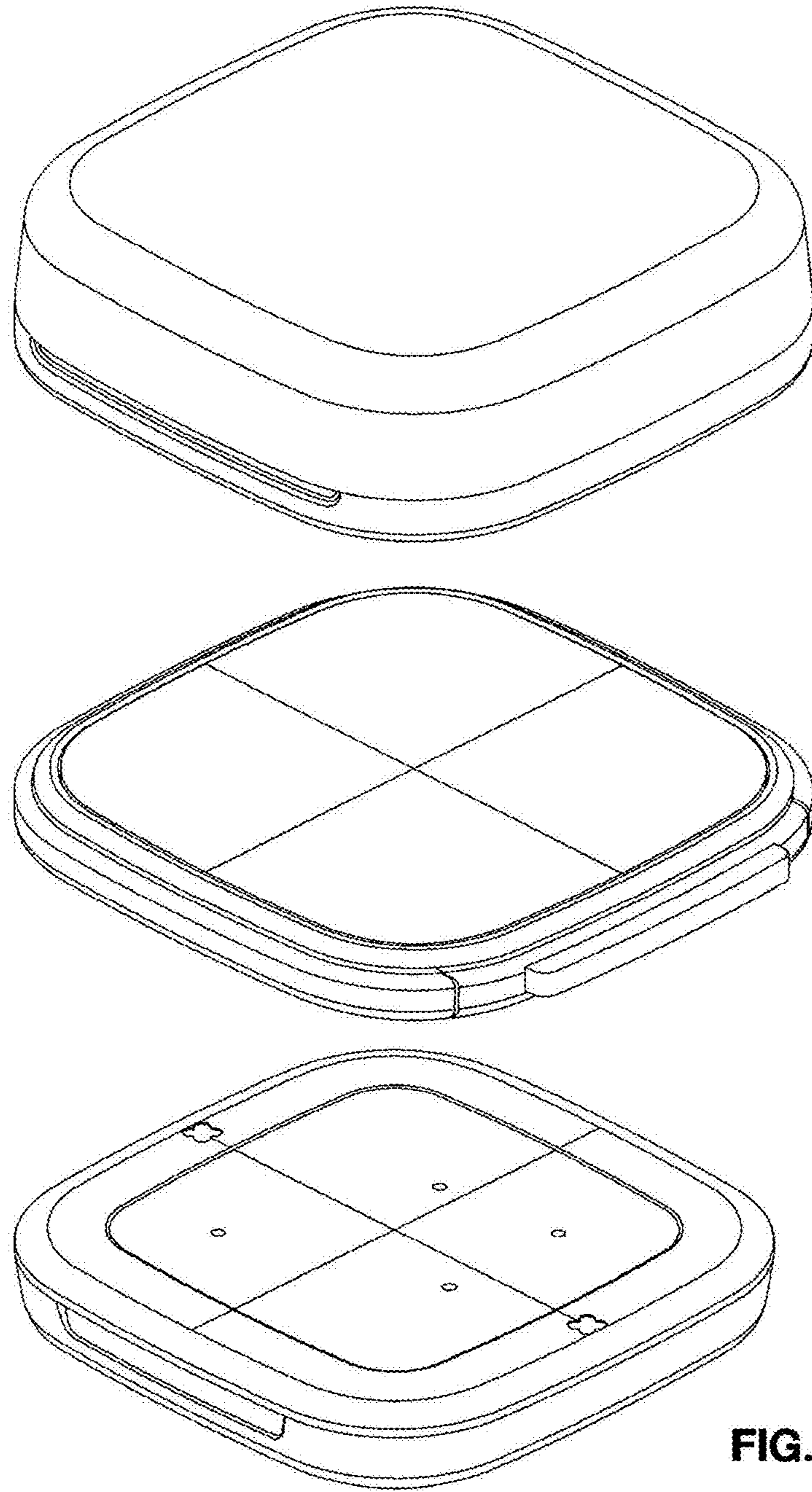


FIG. 8