



US00D856586S

(12) **United States Design Patent** (10) **Patent No.:** **US D856,586 S**
Dedrick (45) **Date of Patent:** **** Aug. 13, 2019**

(54) **NAIL CARE PEDESTAL**
(71) Applicant: **Ted Randall Dedrick**, Encinitas, CA (US)
(72) Inventor: **Ted Randall Dedrick**, Encinitas, CA (US)
(**) Term: **15 Years**
(21) Appl. No.: **29/651,030**
(22) Filed: **Oct. 30, 2017**
(51) **LOC (12) Cl.** **28-03**
(52) **U.S. Cl.**
USPC **D28/61**
(58) **Field of Classification Search**
USPC D28/7, 55-62, 73, 78, 82, 88, 99
CPC A45D 29/00; A45D 44/00; A45D 29/18;
A45D 29/02; A45D 2029/026; A41G
5/02; A61B 5/225; A61B 5/6826; A61B
42/20
See application file for complete search history.

(56) **References Cited**
U.S. PATENT DOCUMENTS
D87,660 S * 8/1932 Brekke 132/73
D131,311 S * 2/1942 Sutton 132/73
D156,303 S * 11/1949 Wheeler 132/73
2,662,534 A * 12/1953 Swartz A45D 29/22
132/73

D225,477 S * 12/1972 Rock 132/75.4
4,524,789 A * 6/1985 Sazdanoff A45D 29/22
132/73
D490,570 S * 5/2004 Boyd D24/147
D502,292 S * 2/2005 Mangano D28/61
D617,952 S * 6/2010 Seychelle D28/61
D676,606 S * 2/2013 Byun D28/59
D703,869 S * 4/2014 Franck D28/44.1
9,179,753 B2 * 11/2015 Huynh A45D 29/18
D755,442 S * 5/2016 Jih D28/54.1
9,707,537 B2 * 7/2017 Haile A45D 29/00
2018/0276230 A1 * 9/2018 Ouyang A45D 29/18

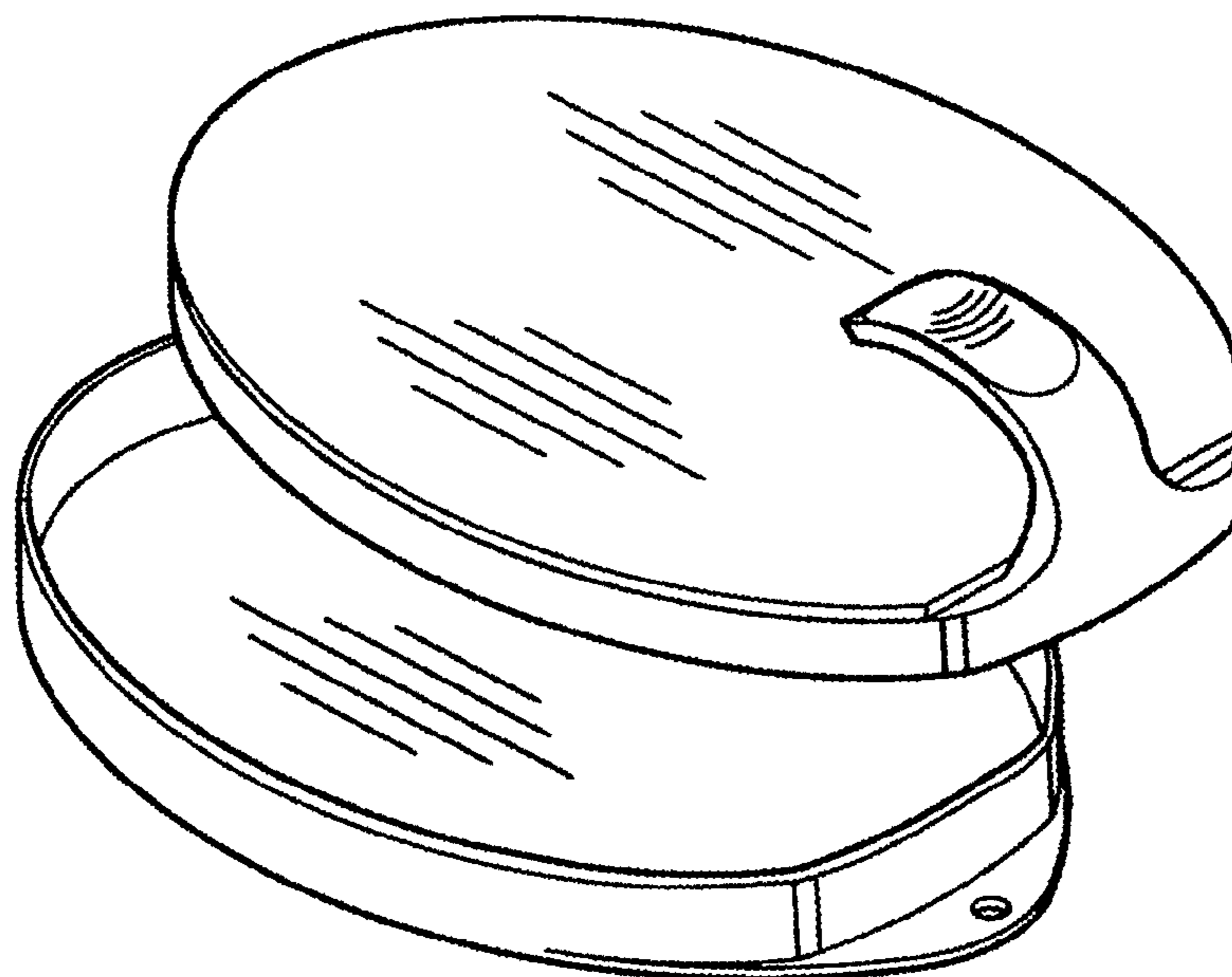
* cited by examiner

Primary Examiner — Jennifer Rivard
Assistant Examiner — Alison M Ofstun

(57) **CLAIM**
The ornamental design for a nail care pedestal, as shown and described.

DESCRIPTION
FIG. 1 is an exploded perspective view of a nail care pedestal showing my new design;
FIG. 2 is an assembled top perspective view thereof;
FIG. 3 is a bottom perspective view thereof;
FIG. 4 is a top plan view thereof;
FIG. 5 is a bottom plan view thereof;
FIG. 6 is a right side elevational view thereof, the left side elevational view being a mirror image thereof;
FIG. 7 is a back elevational view thereof; and,
FIG. 8 is a front elevational view thereof.

1 Claim, 2 Drawing Sheets



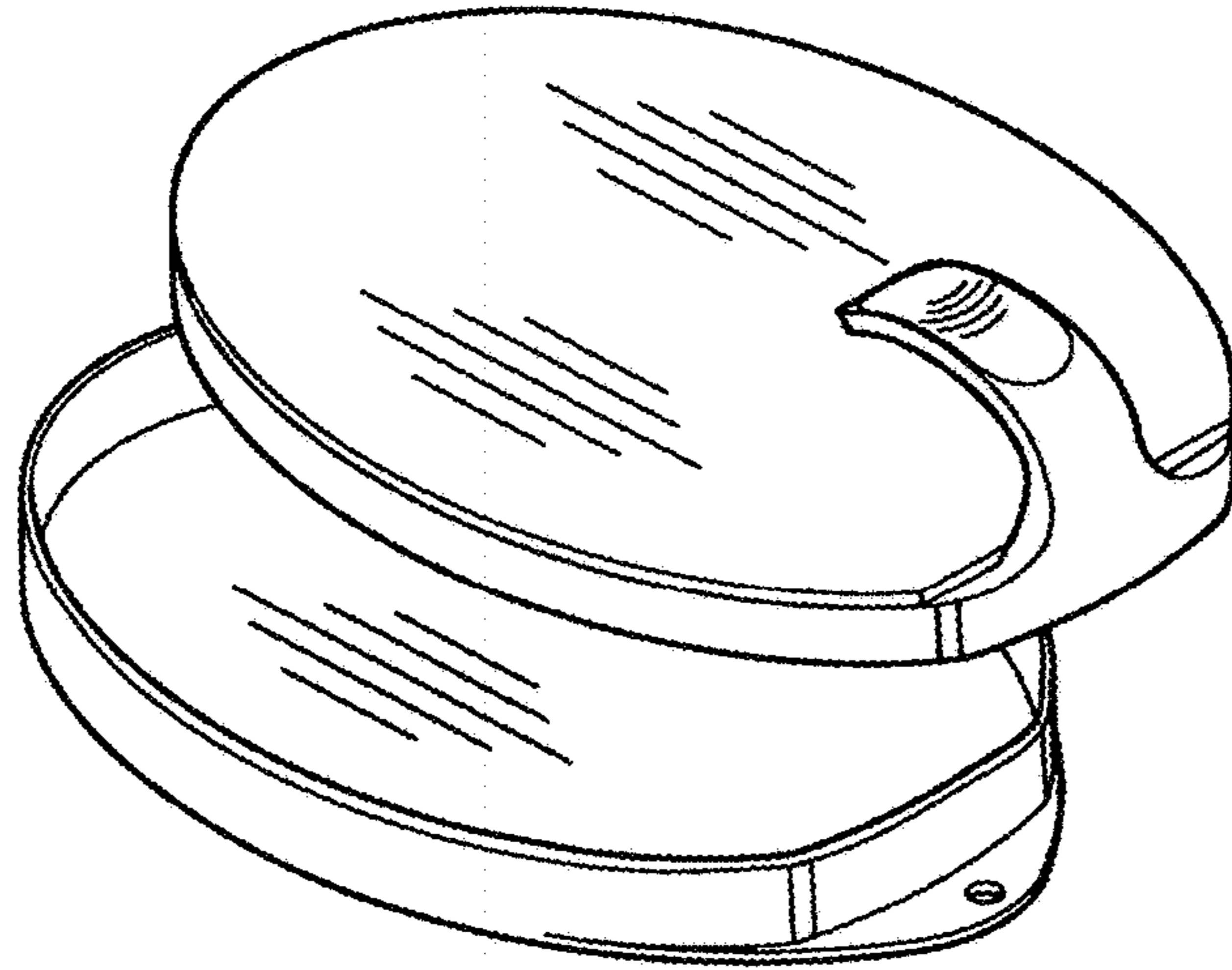


FIG. 1

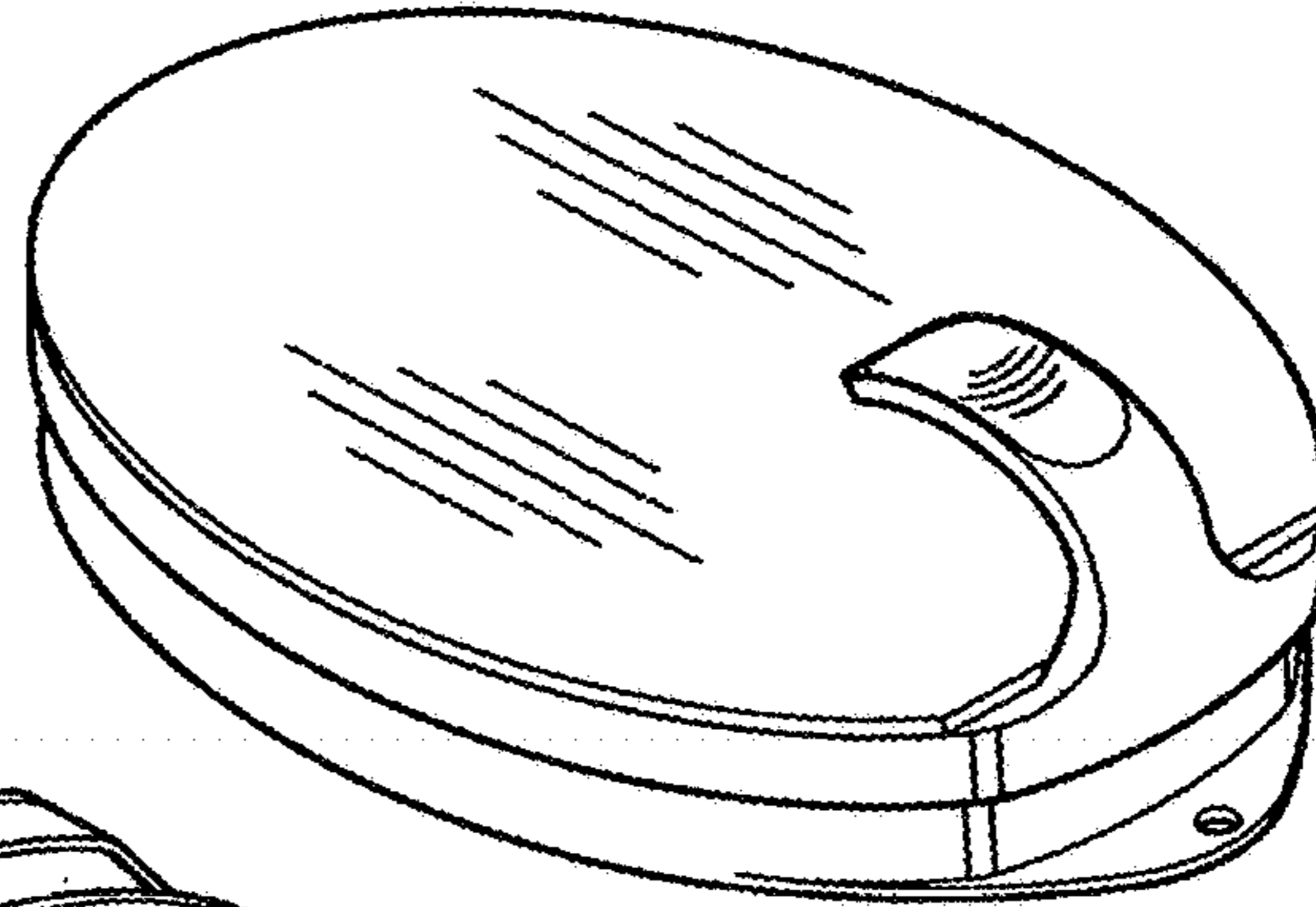


FIG. 2

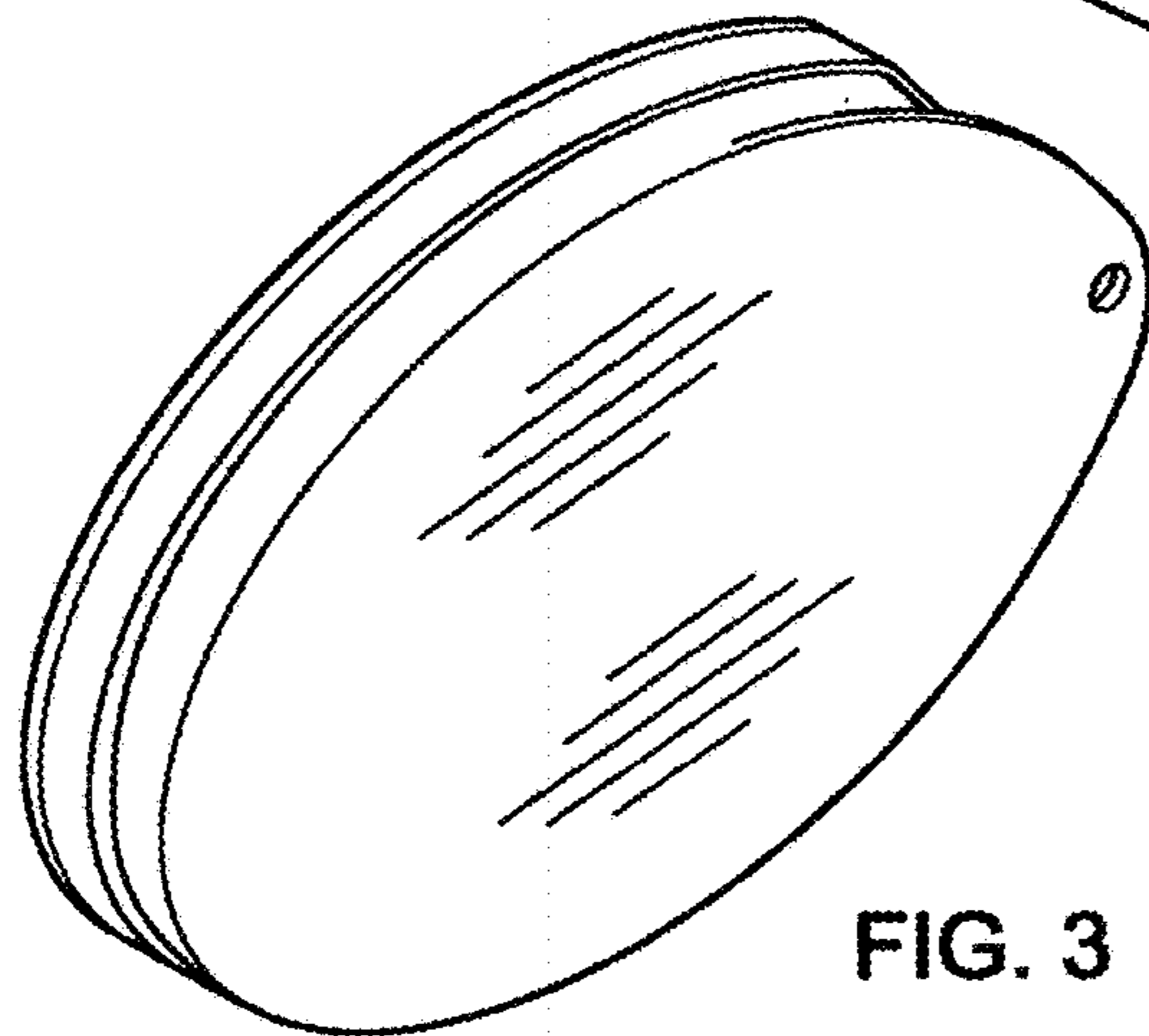


FIG. 3

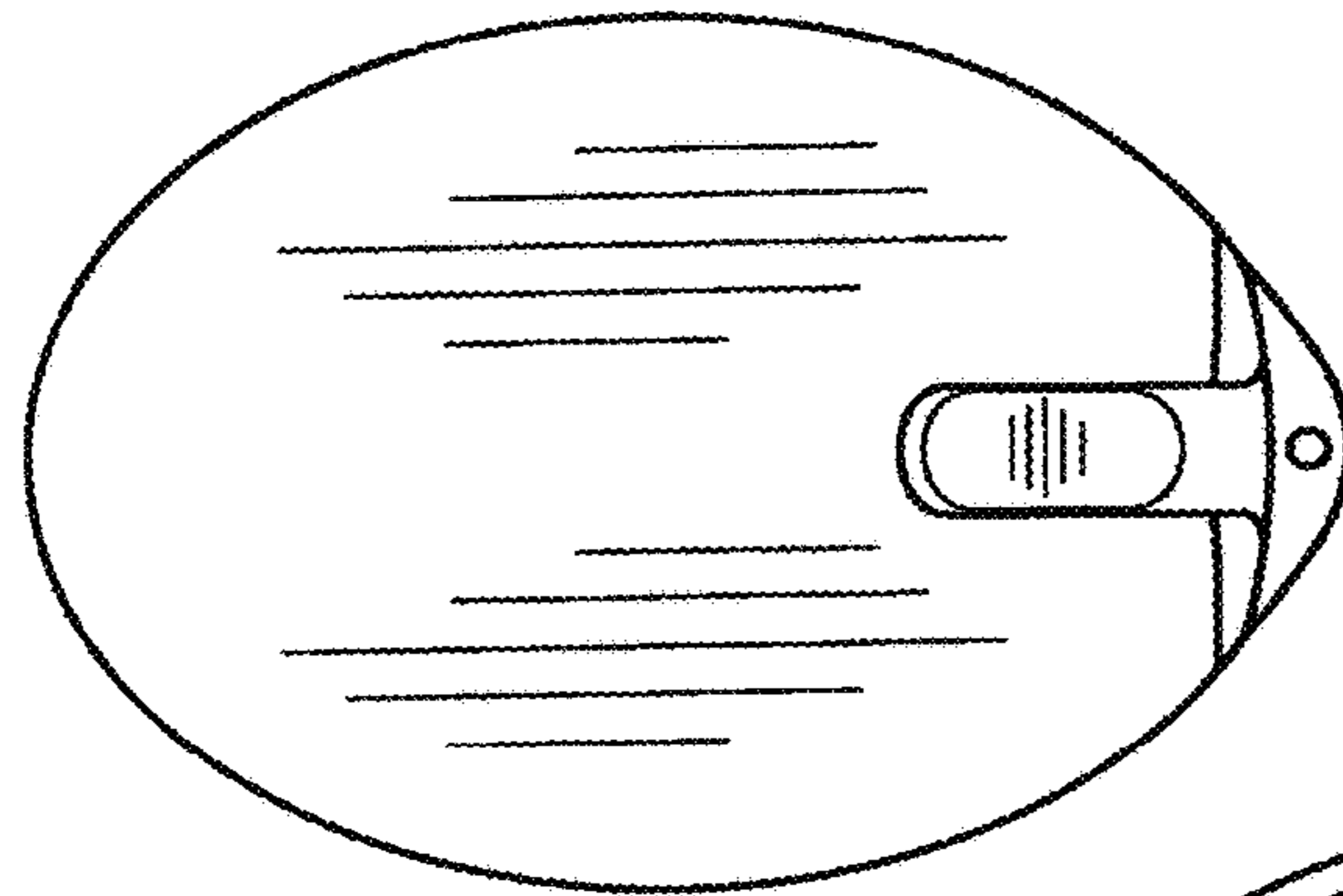


FIG. 4

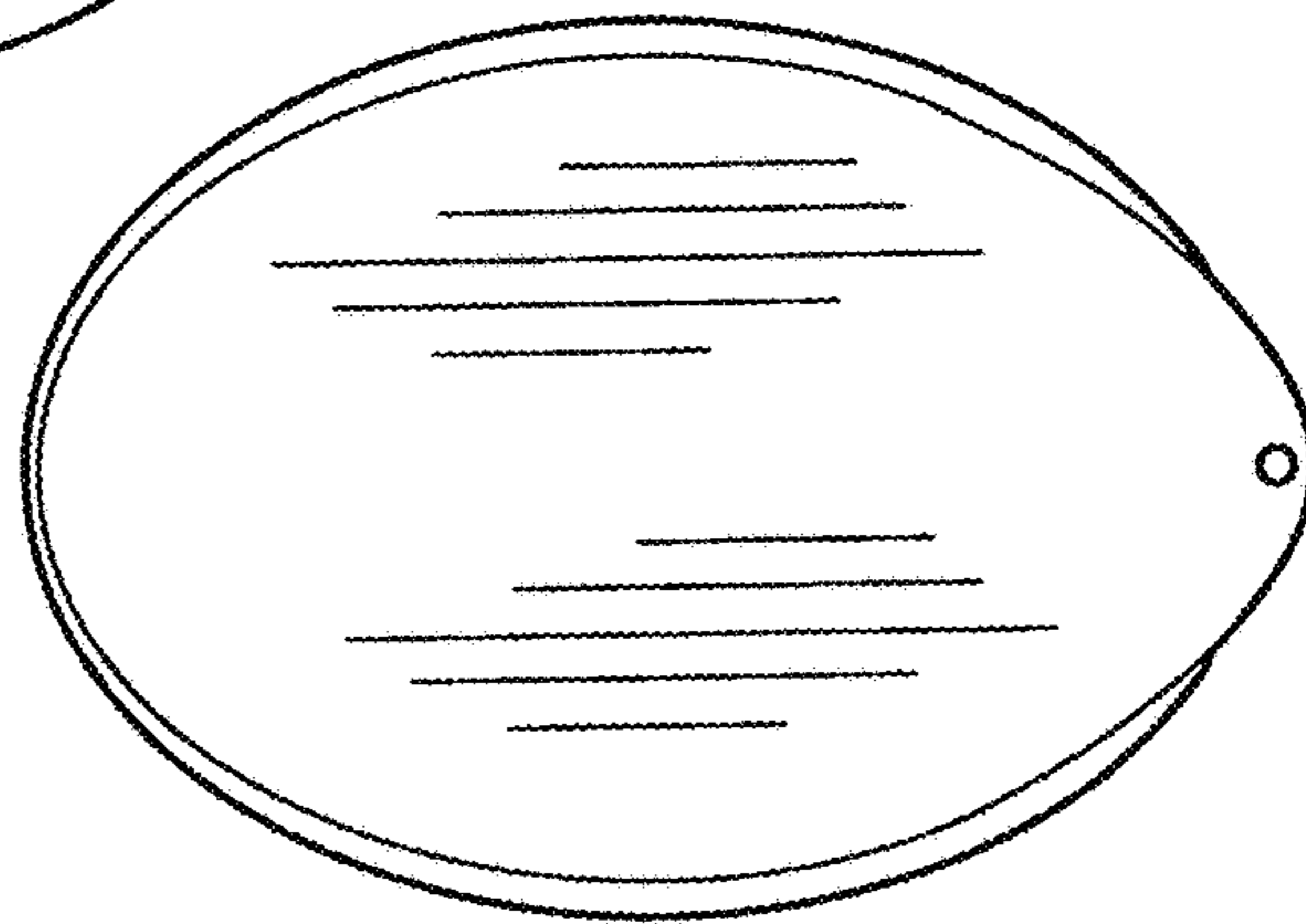


FIG. 5



FIG. 6

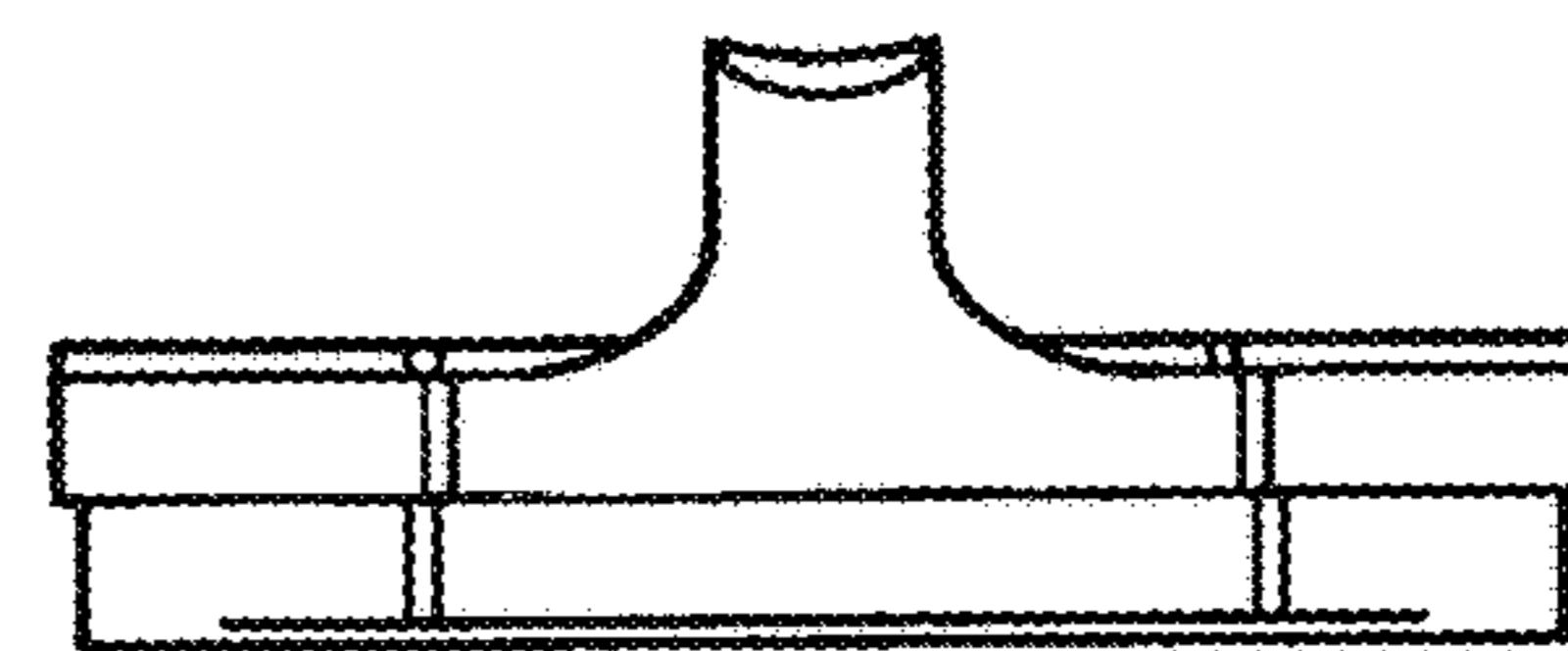


FIG. 7

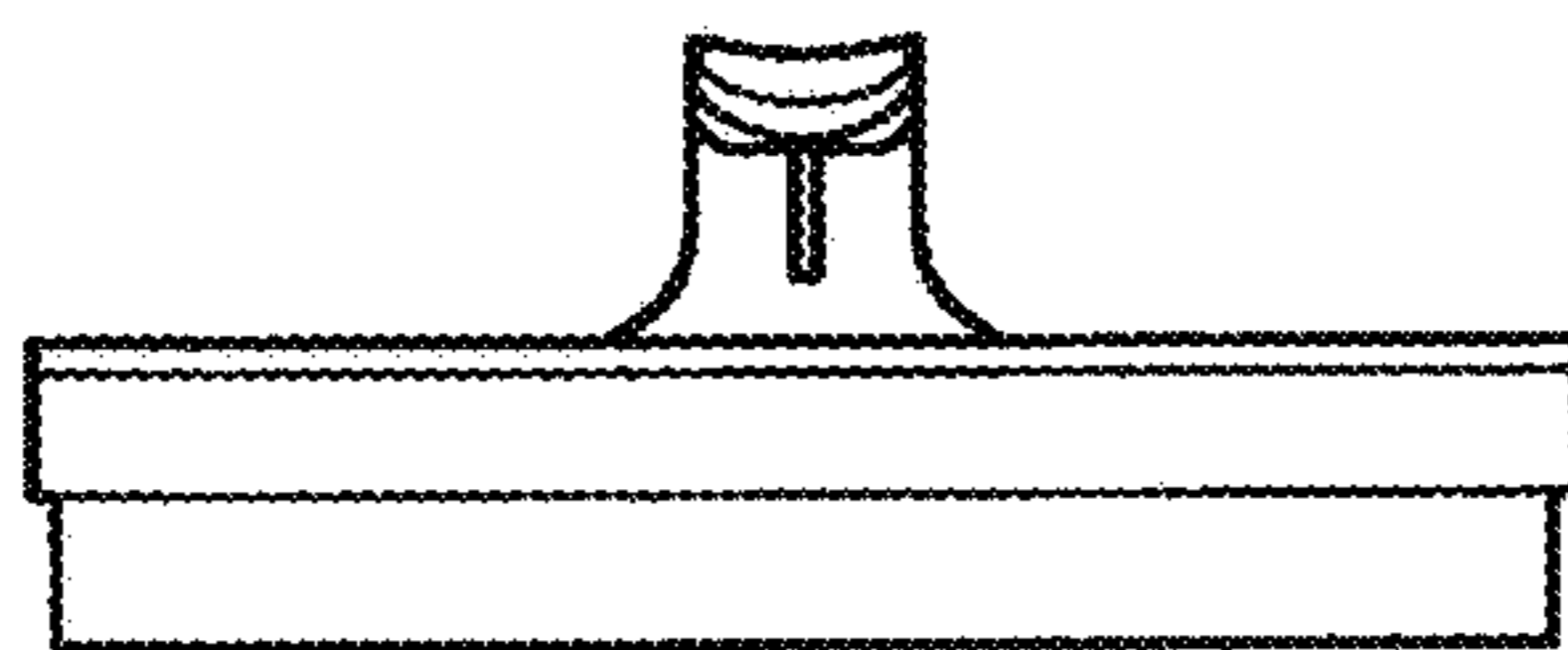


FIG. 8