



US00D856582S

(12) **United States Design Patent** (10) **Patent No.:** **US D856,582 S**
Fukuda et al. (45) **Date of Patent:** **** Aug. 13, 2019**

(54) **ELECTRIC EPILATOR DEVICE** D813,458 S * 3/2018 Okabe D28/51
D827,930 S * 9/2018 Mathieu D28/44
(71) Applicant: **Panasonic Intellectual Property** D827,931 S * 9/2018 Mathieu D28/44
Management Co., Ltd., Osaka (JP) 2019/0104822 A1 * 4/2019 Martinez A45D 26/0038

(72) Inventors: **Osamu Fukuda, Osaka (JP); Kentaro Sako, Tokyo (JP)**

(73) Assignee: **Panasonic Intellectual Property Management Co., Ltd., Osaka (JP)**

(**) Term: **15 Years**

(21) Appl. No.: **29/633,749**

(22) Filed: **Jan. 15, 2018**

(30) **Foreign Application Priority Data**

Aug. 24, 2017 (JP) 2017-018141

(51) **LOC (12) Cl.** **28-03**

(52) **U.S. Cl.**
USPC **D28/44.1**

(58) **Field of Classification Search**
USPC D28/44, 44.1, 49, 51-54, 50
CPC B26B 19/00-107; B26B 19/12-18; B26B 19/38-3893; A45D 26/0023-0038; A45D 26/0042-0052

See application file for complete search history.

(56) **References Cited**

U.S. PATENT DOCUMENTS

D751,253 S * 3/2016 Hollinger D28/44.1
D753,342 S * 4/2016 Okabe D28/51
9,675,381 B2 * 6/2017 Hollinger A61B 17/54
D795,498 S * 8/2017 Hollinger D24/133
D799,118 S * 10/2017 Ino D28/51

FOREIGN PATENT DOCUMENTS

JP D1279340 8/2006
JP D1364509 7/2009
JP D1469899 5/2013

OTHER PUBLICATIONS

From Philips official website at US https://www.usa.philips.com/c-p/BRE650_50/satinelle-prestige-wet-dry-epilator.

* cited by examiner

Primary Examiner — Jennifer Rivard

(74) *Attorney, Agent, or Firm* — Panasonic IP Management; Kerry S. Culpepper

(57) **CLAIM**

We claim the ornamental design for an electric epilator device, as shown and described.

DESCRIPTION

FIG. 1 is a front perspective view of an electric epilator device of the present invention;
FIG. 2 is a front view thereof;
FIG. 3 is a rear view thereof;
FIG. 4 is a first side view thereof;
FIG. 5 is a second side view thereof;
FIG. 6 is a top view thereof; and,
FIG. 7 is a bottom view thereof.

The broken lines illustrate portions of the electric epilator device and form no part of the claimed design.

1 Claim, 7 Drawing Sheets

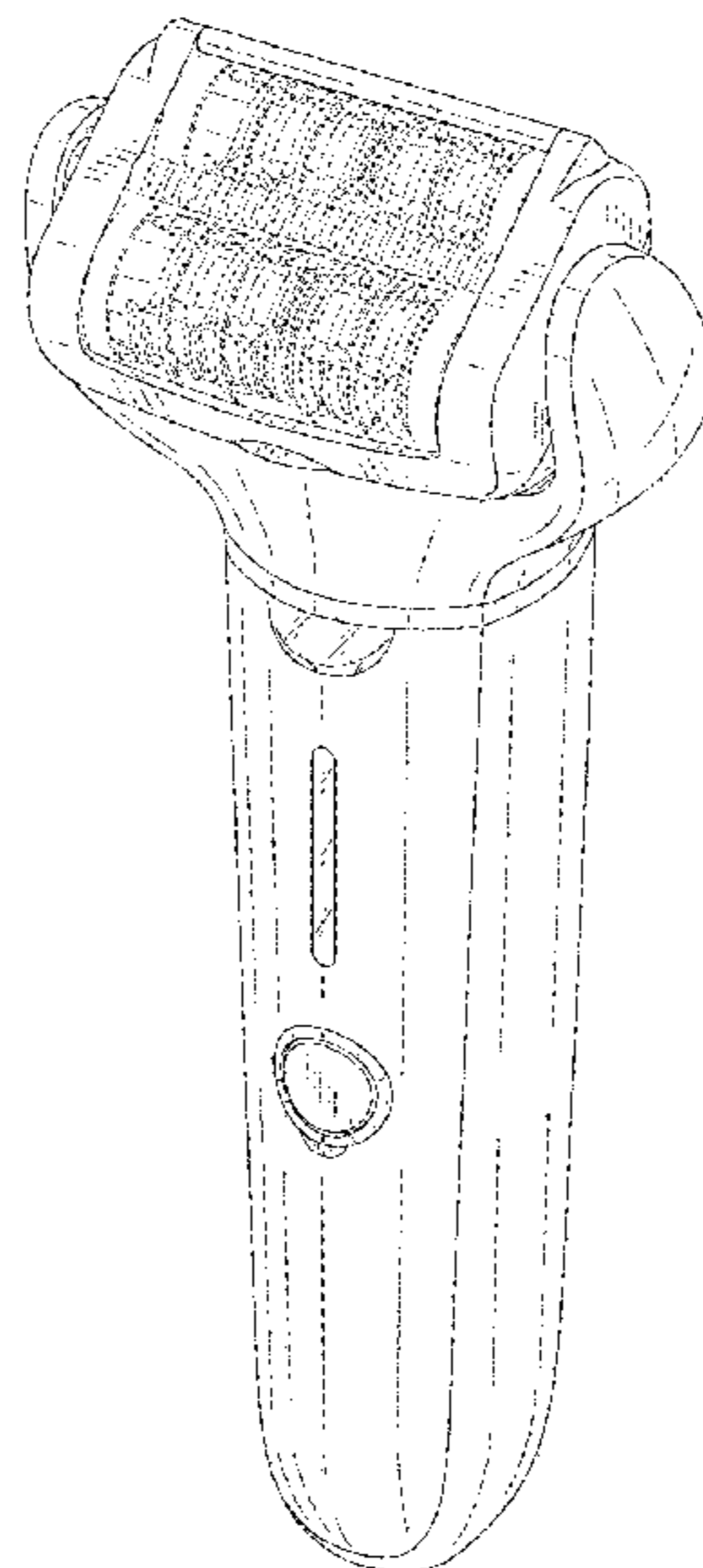


FIG. 1

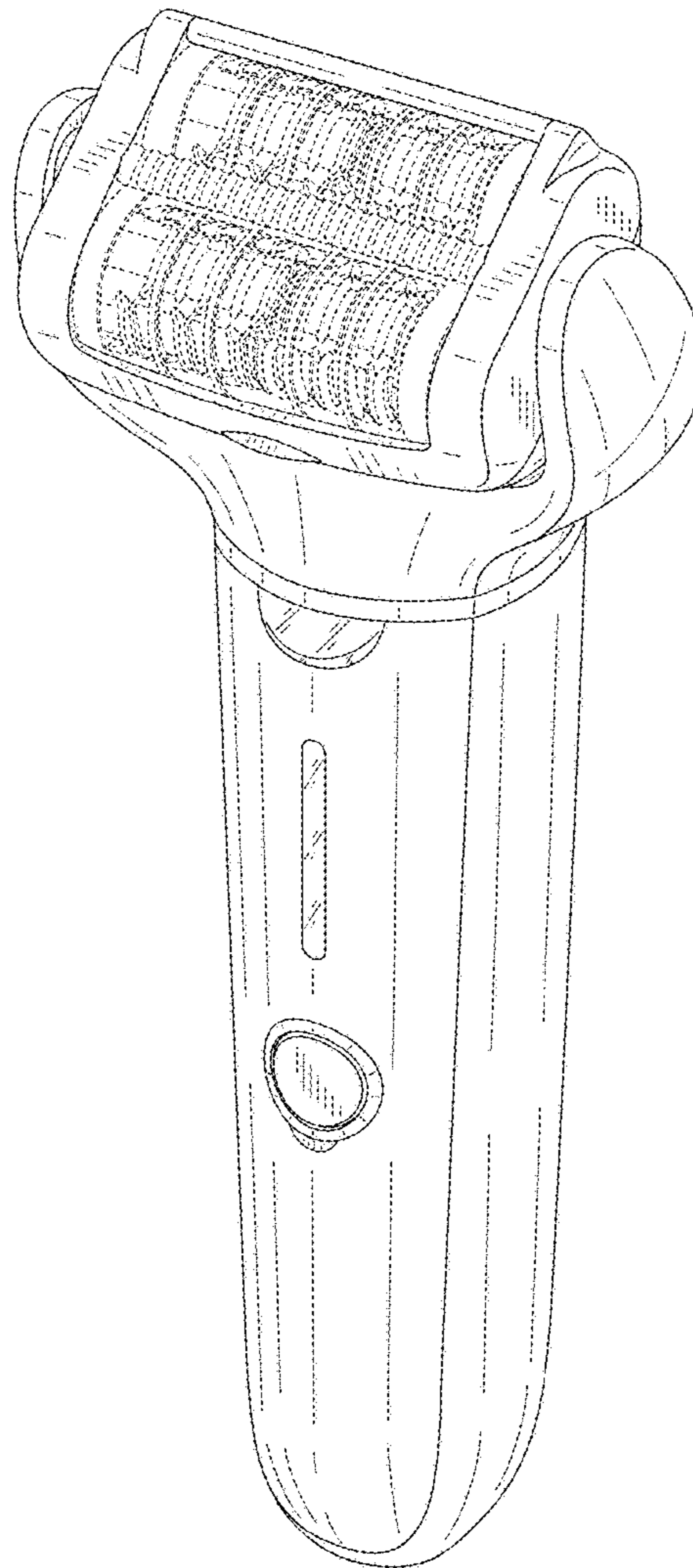


FIG. 2

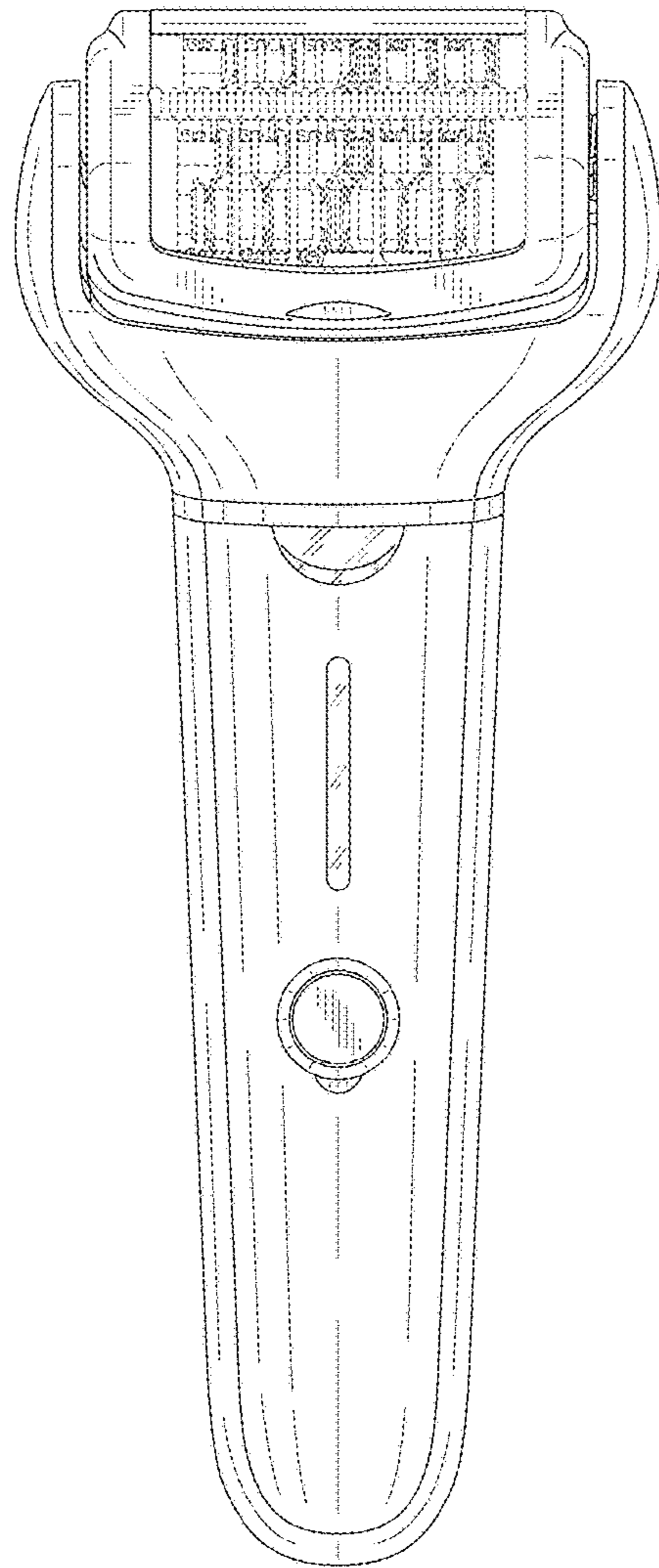


FIG. 3

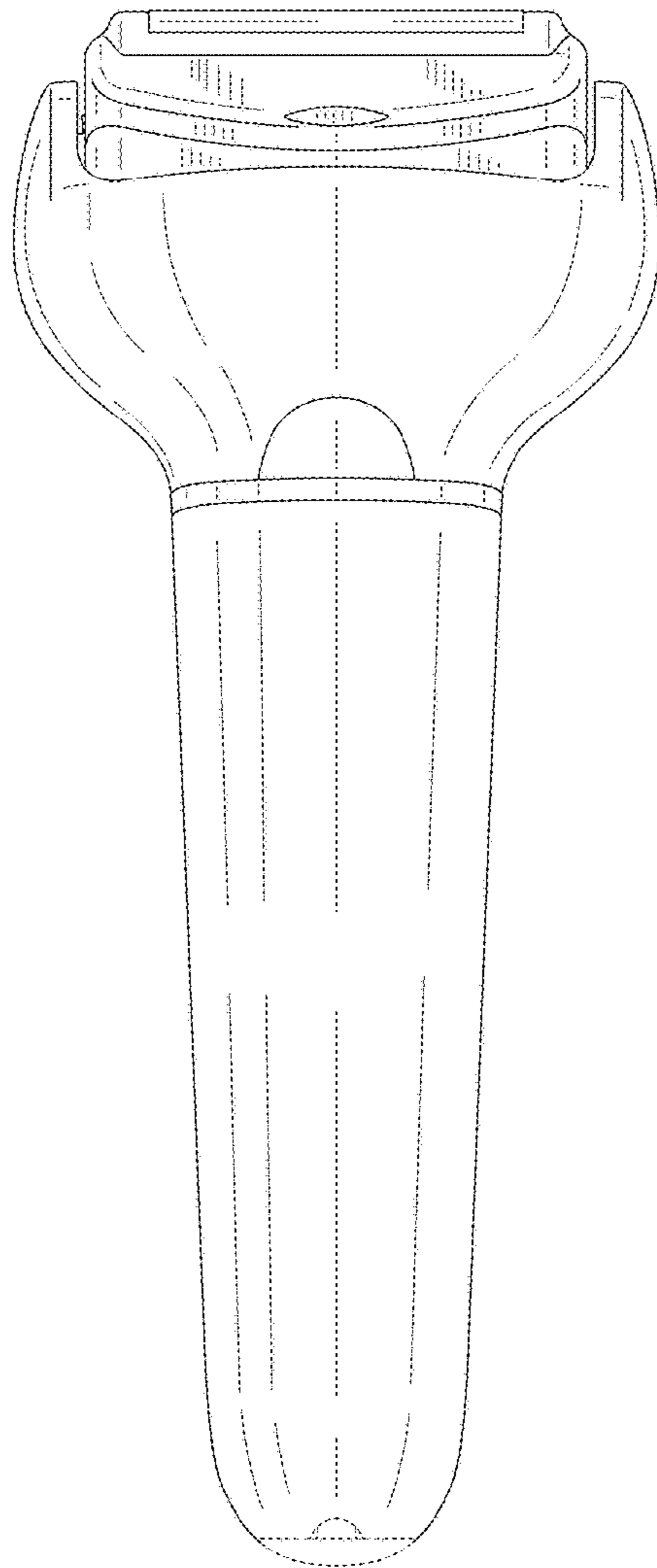


FIG. 4

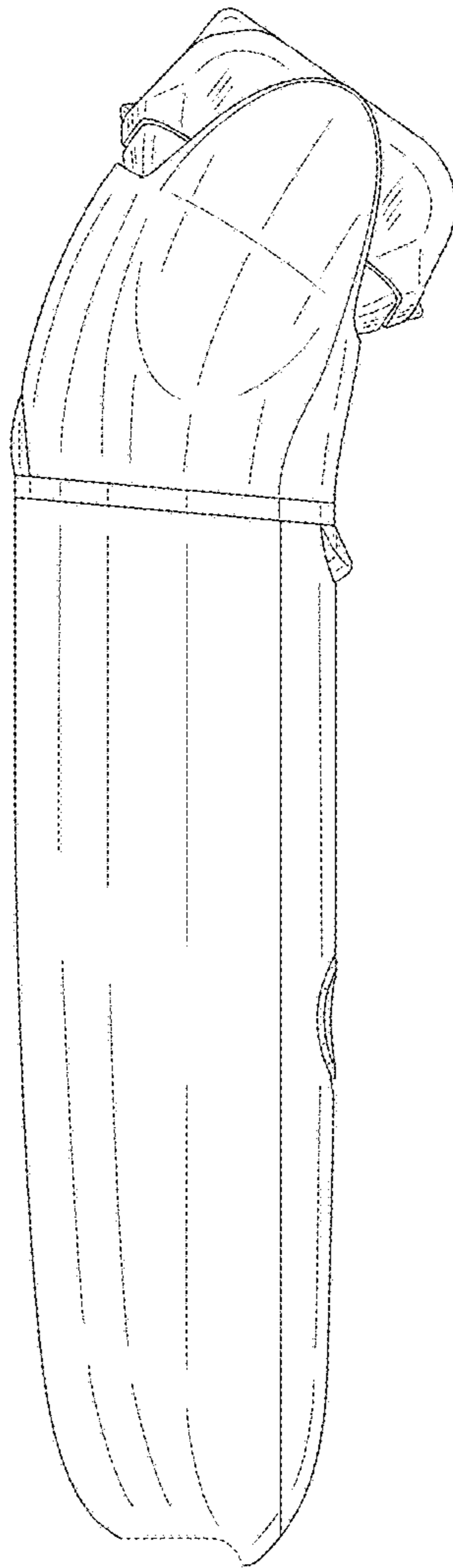


FIG. 5

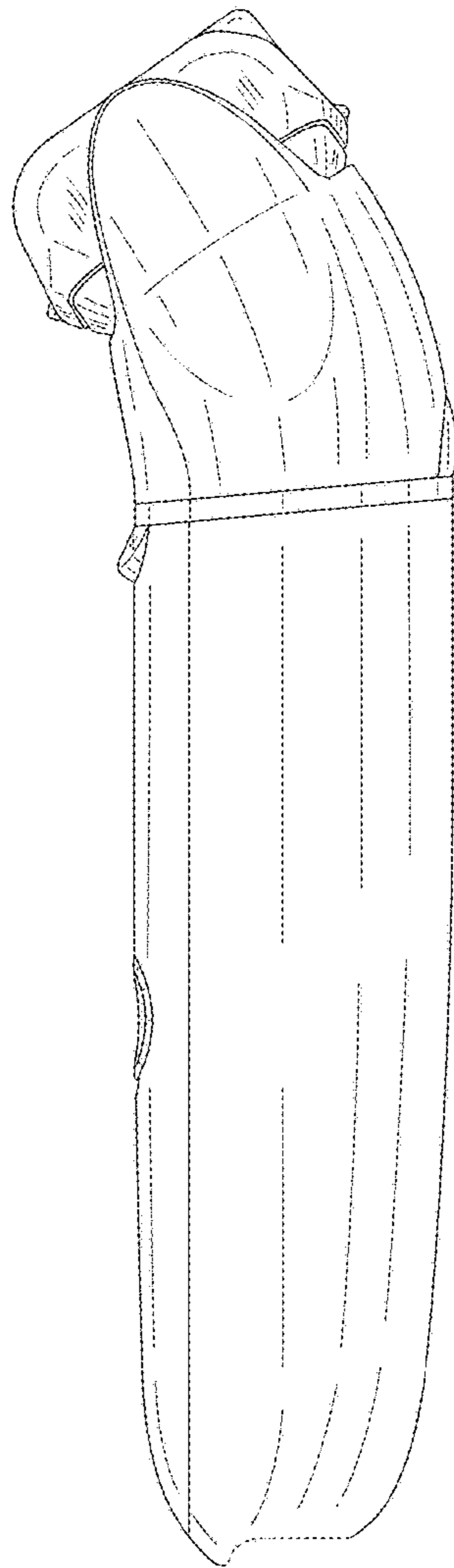


FIG. 6

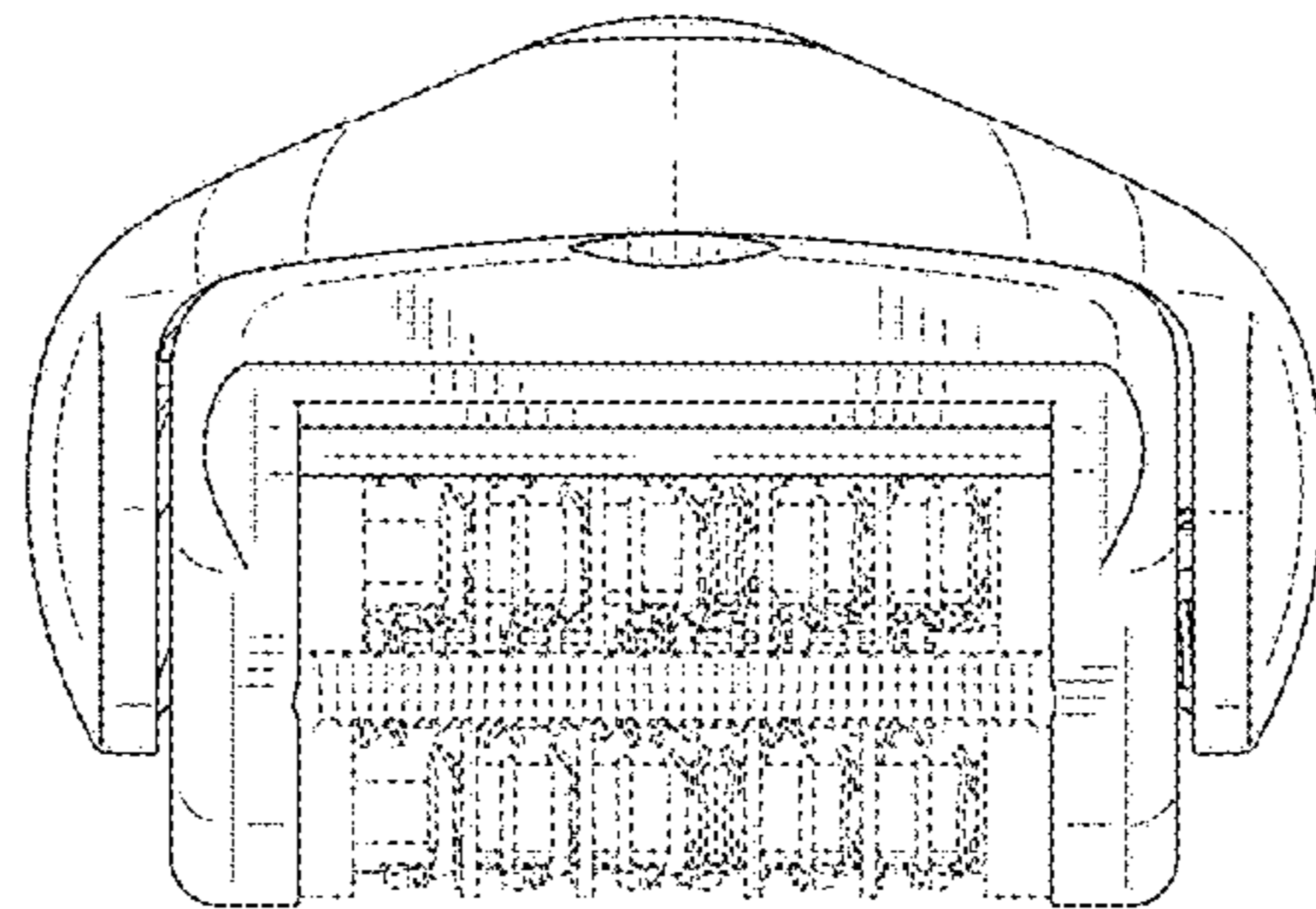


FIG. 7

