



US00D856581S

(12) **United States Design Patent** (10) **Patent No.:** **US D856,581 S**  
**Levanger** (45) **Date of Patent:** **\*\* Aug. 13, 2019**

(54) **PERM ROD ASSEMBLY** 4,699,160 A \* 10/1987 Wiggin ..... A45D 2/148  
132/248  
(71) Applicant: **Danica Lyn Levanger**, Springville, UT 5,791,356 A \* 8/1998 Muzzipapa ..... A45D 2/22  
(US) 132/248  
(72) Inventor: **Danica Lyn Levanger**, Springville, UT D645,615 S \* 9/2011 Eagle ..... D28/38  
(US) 8,132,571 B1 \* 3/2012 Jackson ..... A45D 1/04  
132/211  
2005/0236010 A1 \* 10/2005 Ploix ..... A45D 2/06  
132/226

(\*\*) Term: **15 Years**

(21) Appl. No.: **29/643,239**

(22) Filed: **Apr. 5, 2018**

(51) **LOC (12) Cl.** ..... **28-03**

(52) **U.S. Cl.**  
USPC ..... **D28/37**

(58) **Field of Classification Search**

USPC ..... D28/36-38, 57, 59, 73; D19/109;  
D24/149

CPC . A45D 29/04; A45D 2/48; A45D 2/06; A45D  
2/14; A45D 1/00; A45D 1/03

See application file for complete search history.

(56) **References Cited**

**U.S. PATENT DOCUMENTS**

2,695,620 A \* 11/1954 Renstrom ..... A45D 2/14  
132/249  
2,847,015 A \* 8/1958 Davis ..... A45D 2/12  
132/250  
2,865,382 A \* 12/1958 Kunze ..... A45D 2/06  
132/248  
3,113,578 A \* 12/1963 Krowley ..... A45D 2/14  
132/251  
3,451,398 A \* 6/1969 Marcello ..... A45D 2/148  
132/210  
3,688,778 A \* 9/1972 Budman ..... A45D 2/14  
132/253  
3,835,871 A \* 9/1974 Rocanova ..... A45D 2/02  
132/245  
4,240,451 A \* 12/1980 Thompson ..... A45D 2/14  
132/250  
4,284,091 A \* 8/1981 Ehmman ..... A45D 6/145  
132/252  
D274,009 S \* 5/1984 Caruso ..... D28/27

**OTHER PUBLICATIONS**

4 Dozen (48) Short Perm Rods—Soft n Style, reviewed on Aug. 23, 2017, retrieved on Mar. 11, 2019, retrieved from the Internet URL: [https://www.amazon.com/Dozen-48-Short-Perm-Rods/dp/B00DD4KVKY/ref=sr\\_1\\_42?crd=2RJ08N8DNZ98H&keywords=hair+rods+for+perm&qid=1552341013&s=gateway&sprefix=hair+rods+for+p%2Caps%2C273&sr=8-4.\\*](https://www.amazon.com/Dozen-48-Short-Perm-Rods/dp/B00DD4KVKY/ref=sr_1_42?crd=2RJ08N8DNZ98H&keywords=hair+rods+for+perm&qid=1552341013&s=gateway&sprefix=hair+rods+for+p%2Caps%2C273&sr=8-4.*)

\* cited by examiner

*Primary Examiner* — Jennifer Rivard

*Assistant Examiner* — Alison M Ofstun

(74) *Attorney, Agent, or Firm* — Jason P. Webb; Pearson  
Butler

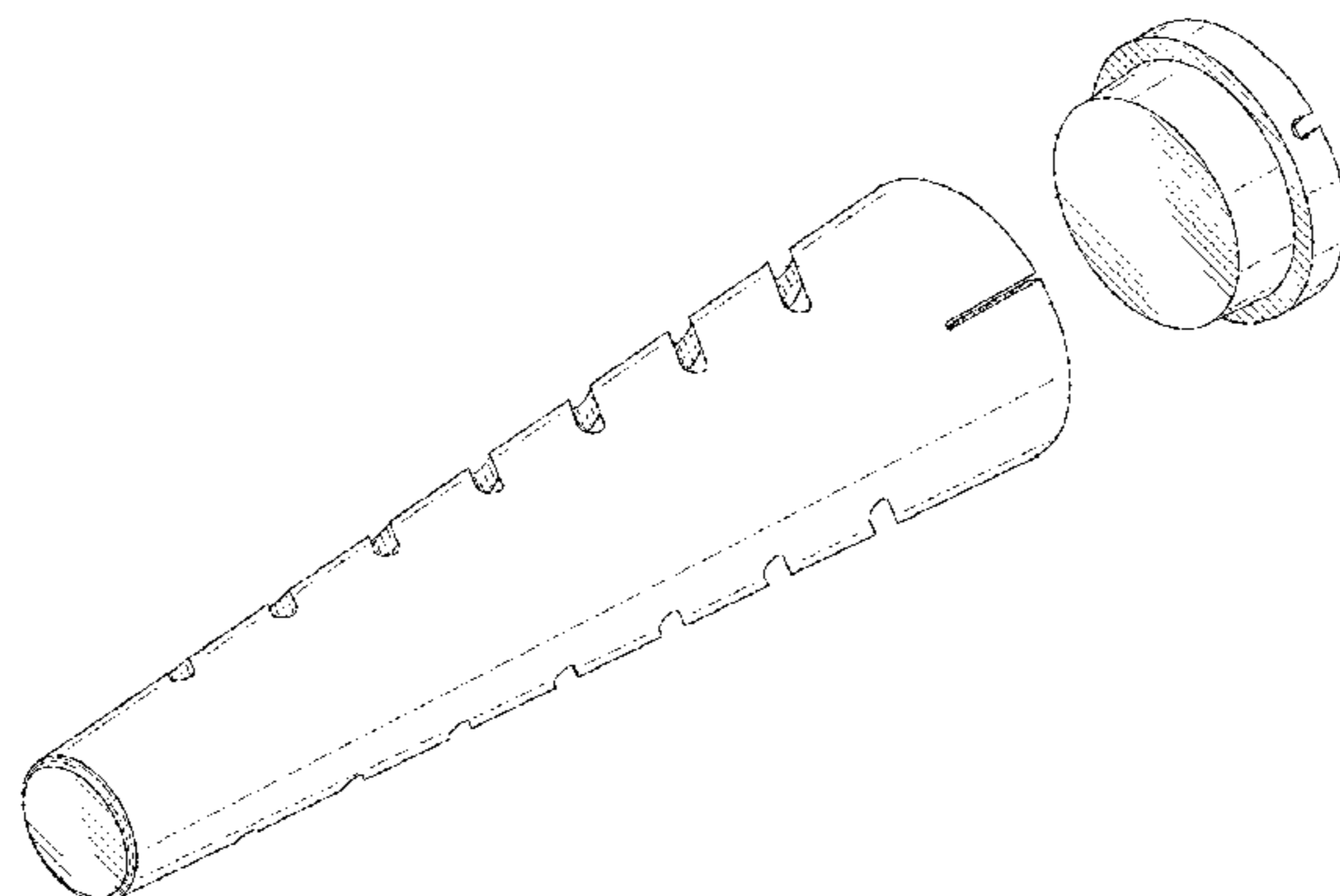
(57) **CLAIM**

The ornamental design for a perm rod assembly, as shown and described.

**DESCRIPTION**

FIG. 1 is an exploded perspective view of a perm rod assembly, showing my new design; FIG. 2 is a front elevational view thereof; FIG. 3 is a back elevational view thereof; FIG. 4 is a right side elevational view thereof; FIG. 5 is a left side elevational view thereof; FIG. 6 is a top plan view thereof; FIG. 7 is a bottom plan view thereof; and, FIG. 8 is a front elevational view thereof, shown in an assembled position of use.

**1 Claim, 7 Drawing Sheets**



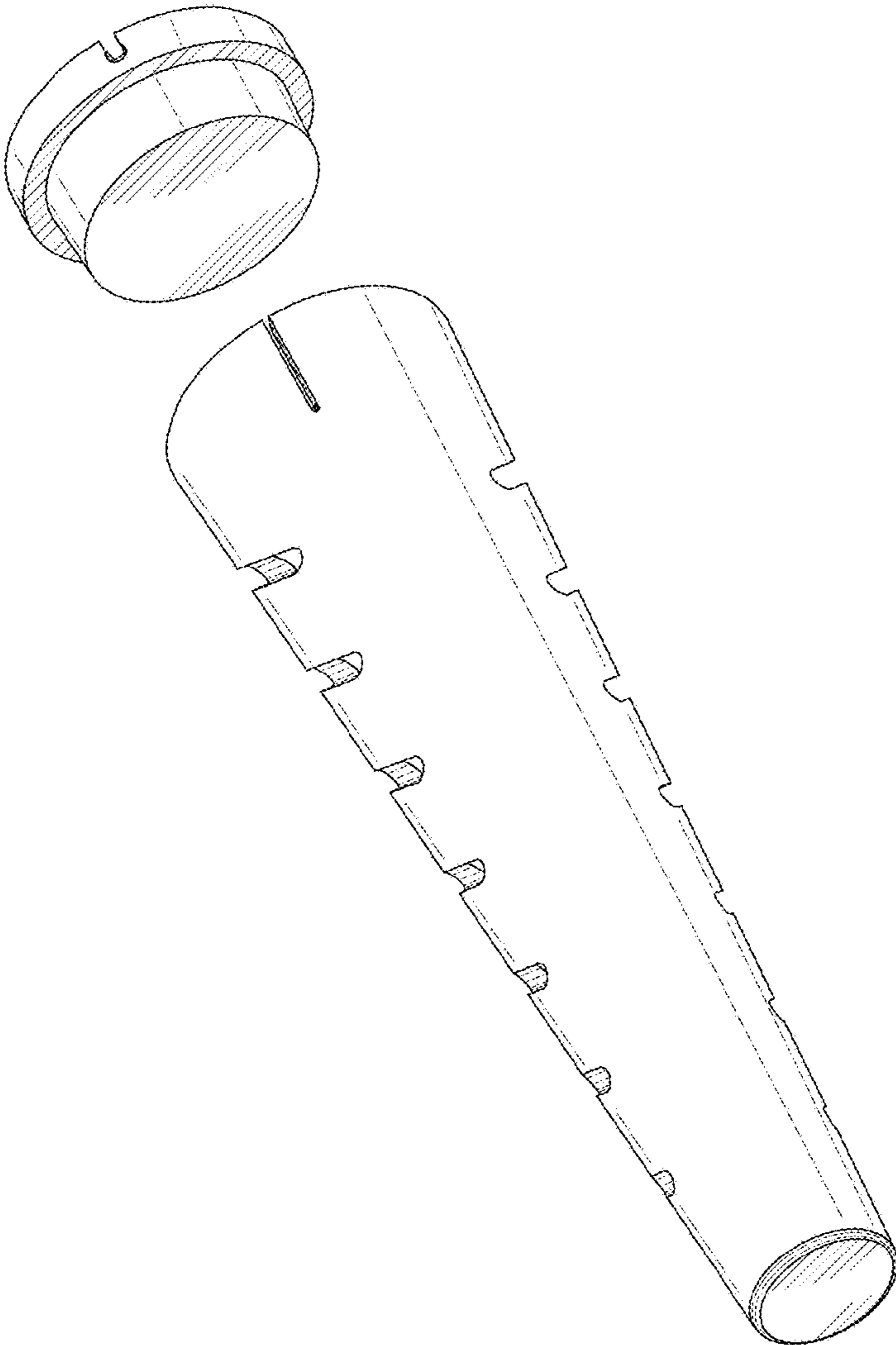


FIG. 1

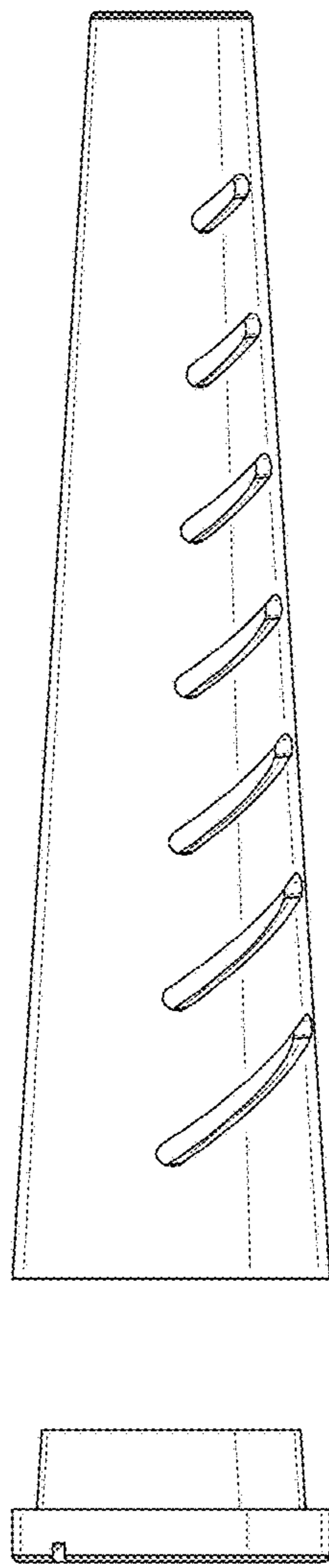


FIG. 2

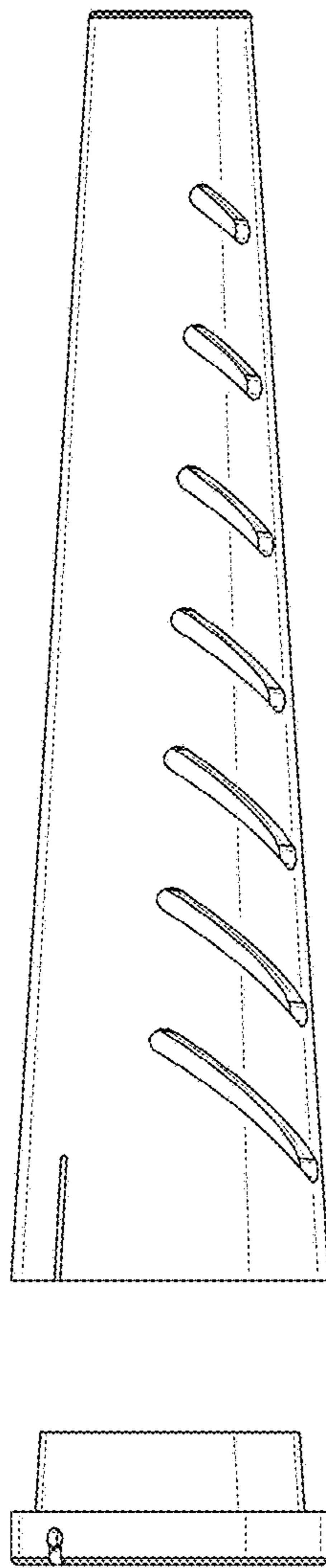


FIG. 3

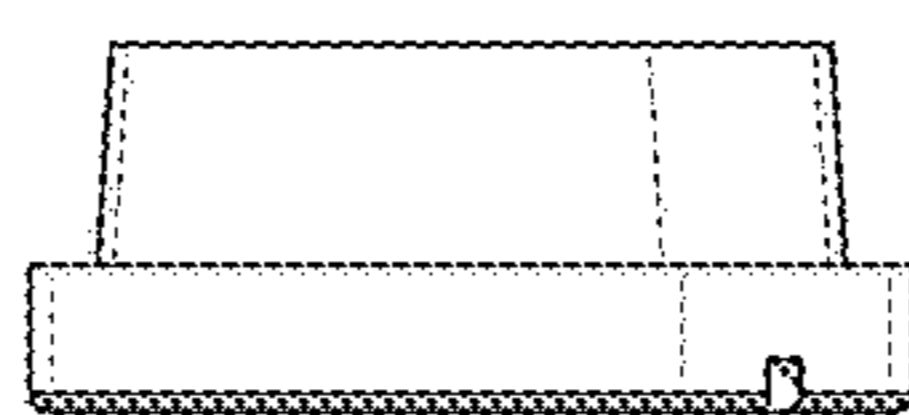
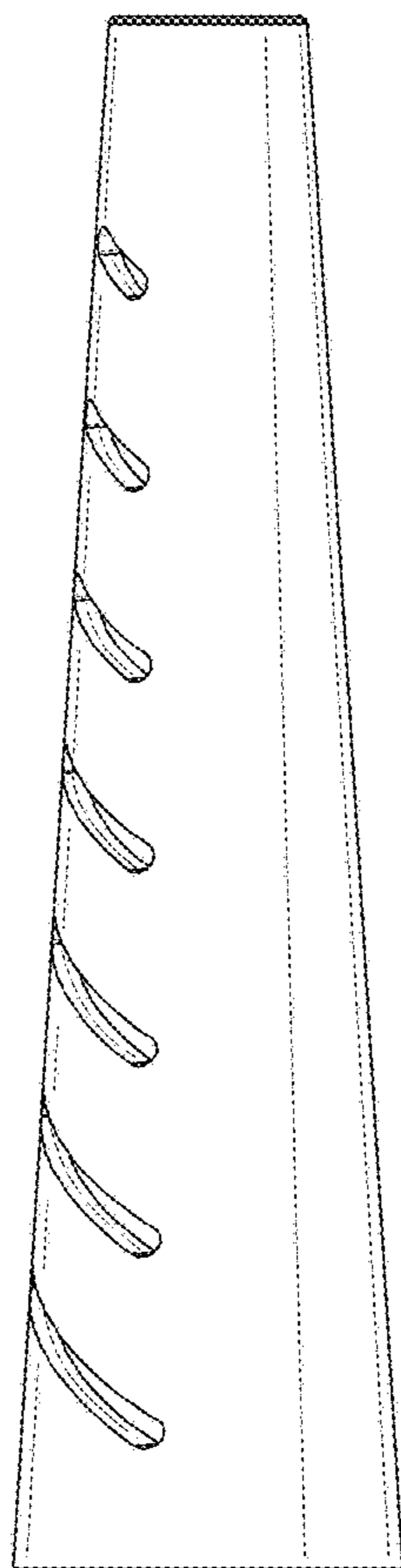


FIG. 4

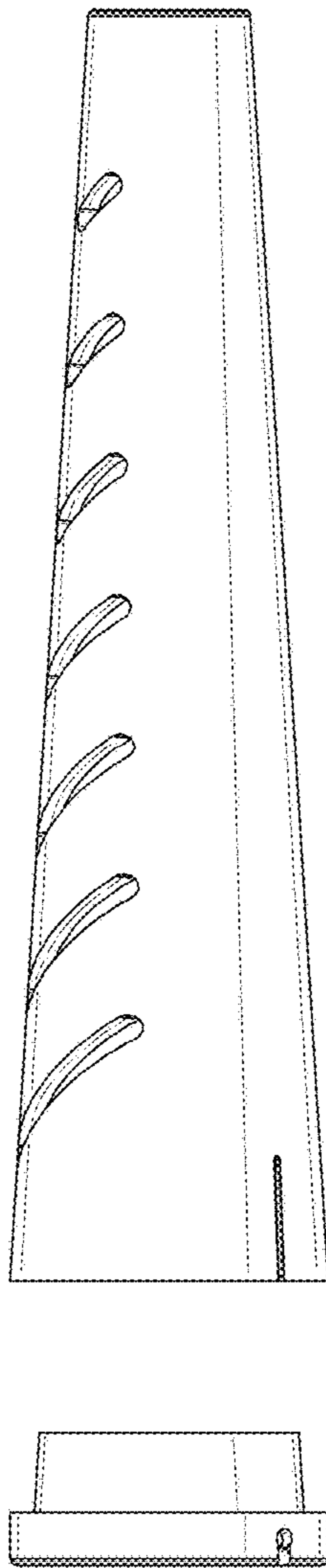


FIG. 5

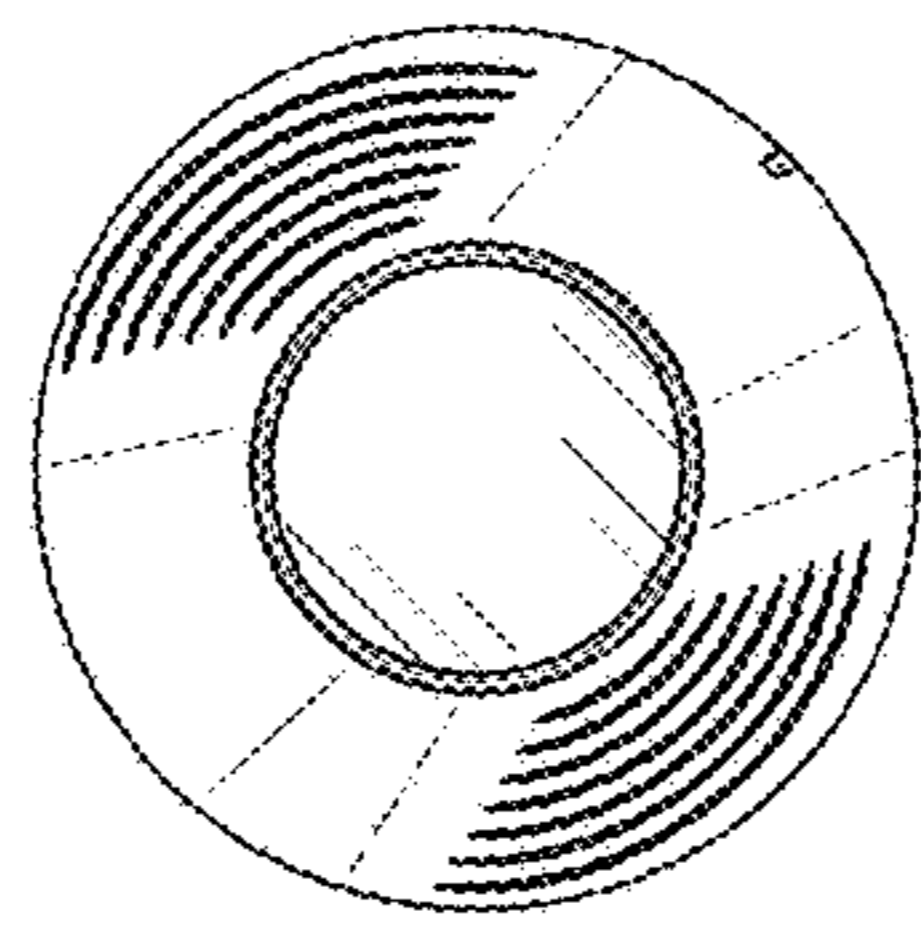


FIG. 6

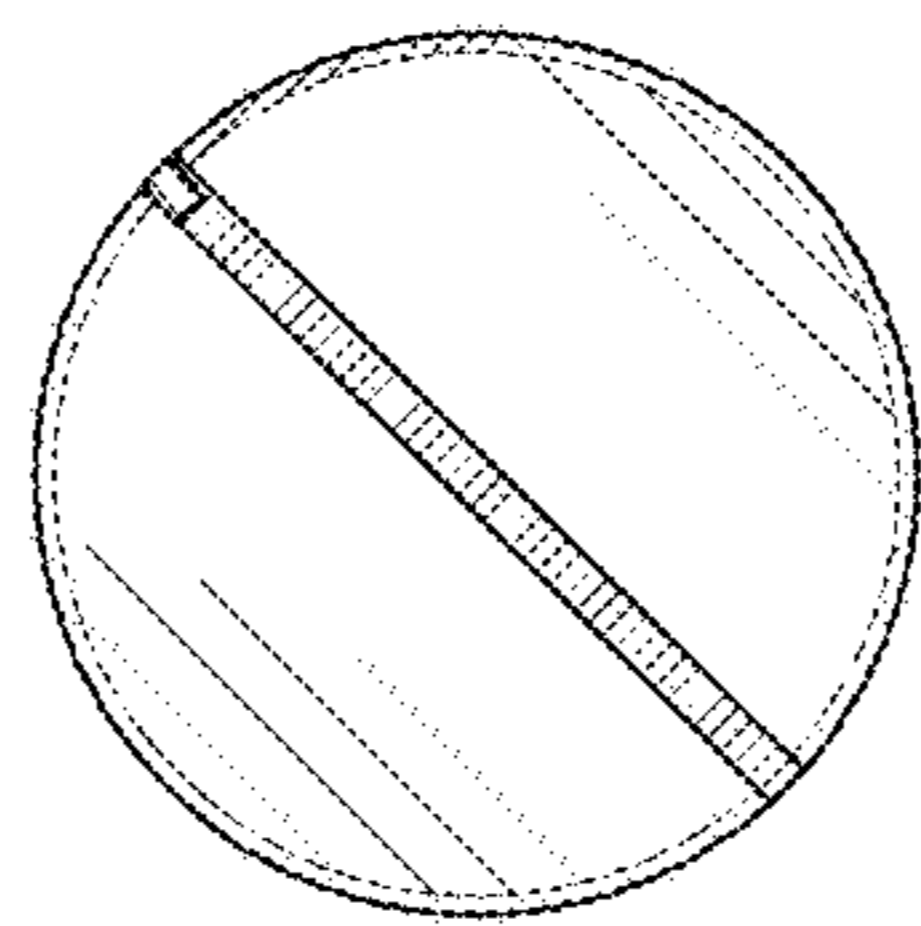


FIG. 7

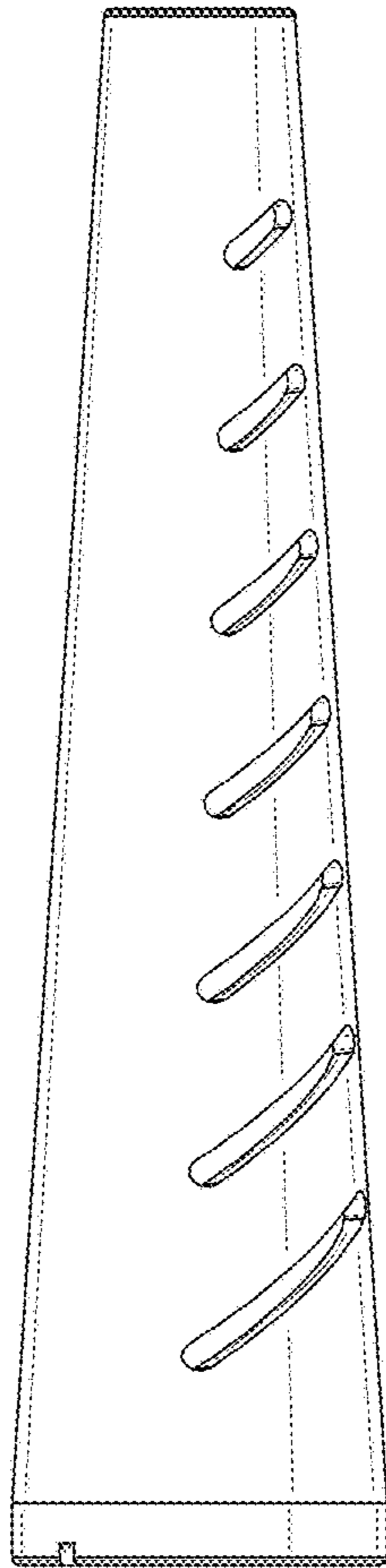


FIG. 8