



US00D856580S

(12) **United States Design Patent** (10) **Patent No.:** **US D856,580 S**
Chia et al. (45) **Date of Patent:** **** *Aug. 13, 2019**

- (54) **HAIRDRYER FILTER** 5,598,640 A * 2/1997 Schepisi A45D 20/12
34/96
- (71) Applicant: **Dyson Technology Limited**, Wiltshire (GB) D414,896 S * 10/1999 Goetschi D28/18
D508,585 S * 8/2005 Moore D28/12
D559,464 S * 1/2008 Singh D28/73
- (72) Inventors: **Weiyi Chia**, Singapore (SG); **Eric Purnama Utama Ng**, Singapore (SG); **Yuankang Liu**, Singapore (SG) D622,001 S * 8/2010 Zabala D28/18
D791,407 S * 7/2017 Smith D28/13
D814,109 S * 3/2018 Gordon D28/10
D814,699 S * 4/2018 White D28/10
9,936,788 B2 * 4/2018 Stephens A45D 20/122
- (73) Assignee: **Dyson Technology Limited**, Malmesbury, Wiltshire (GB) D830,630 S * 10/2018 Chia D28/18
2009/0083986 A1 * 4/2009 Langley A45D 19/16
34/98
- (*) Notice: This patent is subject to a terminal disclaimer. 2017/0150796 A1 * 6/2017 Stephens A45D 20/12
2017/0164709 A1 * 6/2017 Laveni A45D 20/10
2017/0361249 A1 * 12/2017 Ries B01D 29/33
- (**) Term: **15 Years** * cited by examiner

- (21) Appl. No.: **29/639,654**
- (22) Filed: **Mar. 7, 2018**
- (30) **Foreign Application Priority Data**

Sep. 8, 2017 (EM) 004248193-0003

- (51) **LOC (12) Cl.** **28-03**
- (52) **U.S. Cl.**
USPC **D28/18**
- (58) **Field of Classification Search**
USPC D28/18, 19, 24, 10; 34/97, 98, 96, 99,
34/101; 392/380, 383-385; 132/271
CPC A45D 20/12; A45D 20/00; A45D 20/04;
A45D 20/06; A45D 20/10; A45D 20/08;
A45D 20/122; A45D 20/124; A45D
20/18; A45D 20/48; A45D 20/52
See application file for complete search history.

(56) **References Cited**
U.S. PATENT DOCUMENTS

- 3,955,065 A * 5/1976 Chambon A45D 20/10
392/384
- 5,275,339 A * 1/1994 Andis A45D 20/122
239/443

Primary Examiner — Susan Bennett Hattan
Assistant Examiner — Rebecca Tsehaye
(74) *Attorney, Agent, or Firm* — Morrison & Foerster LLP

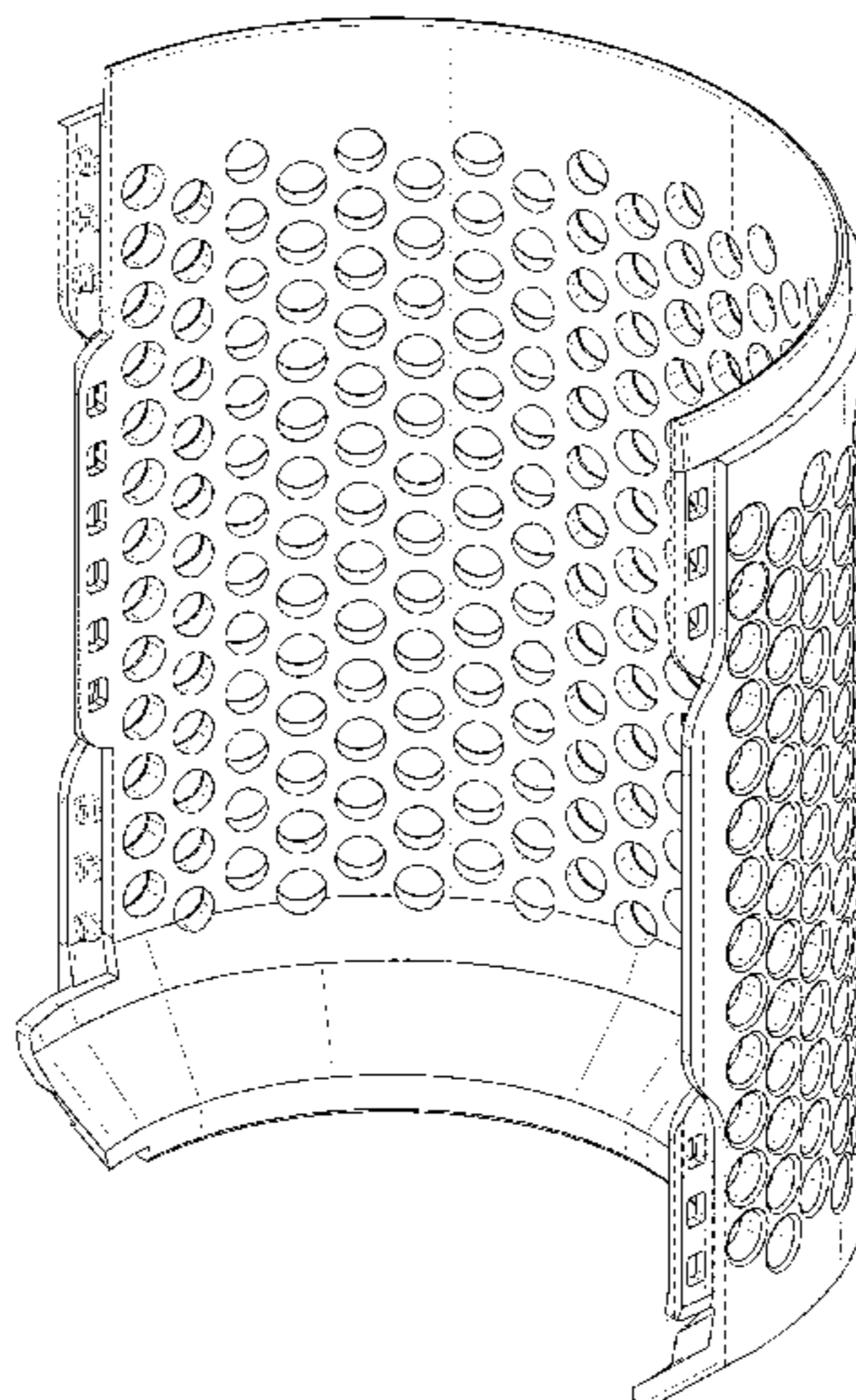
(57) **CLAIM**

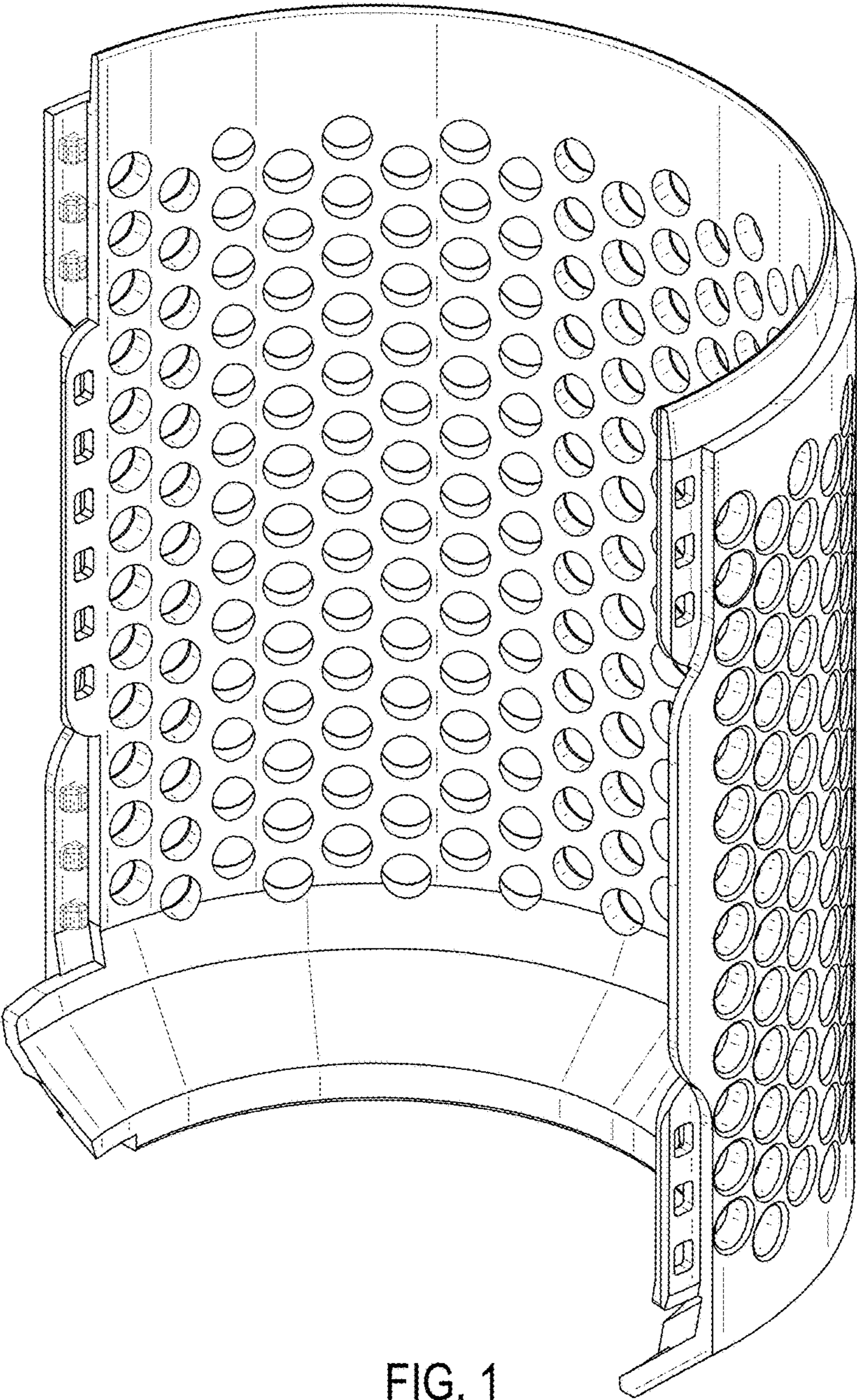
We claim the ornamental design for a hairdryer filter, as shown and described.

DESCRIPTION

FIG. 1 is a perspective view of a hairdryer filter showing our new design;
FIG. 2 is a first side view thereof;
FIG. 3 is a side view of the opposite side of FIG. 2;
FIG. 4 is a second side view thereof;
FIG. 5 is a side view of the opposite side of FIG. 4;
FIG. 6 is a top view thereof; and,
FIG. 7 is a bottom view thereof.

1 Claim, 7 Drawing Sheets





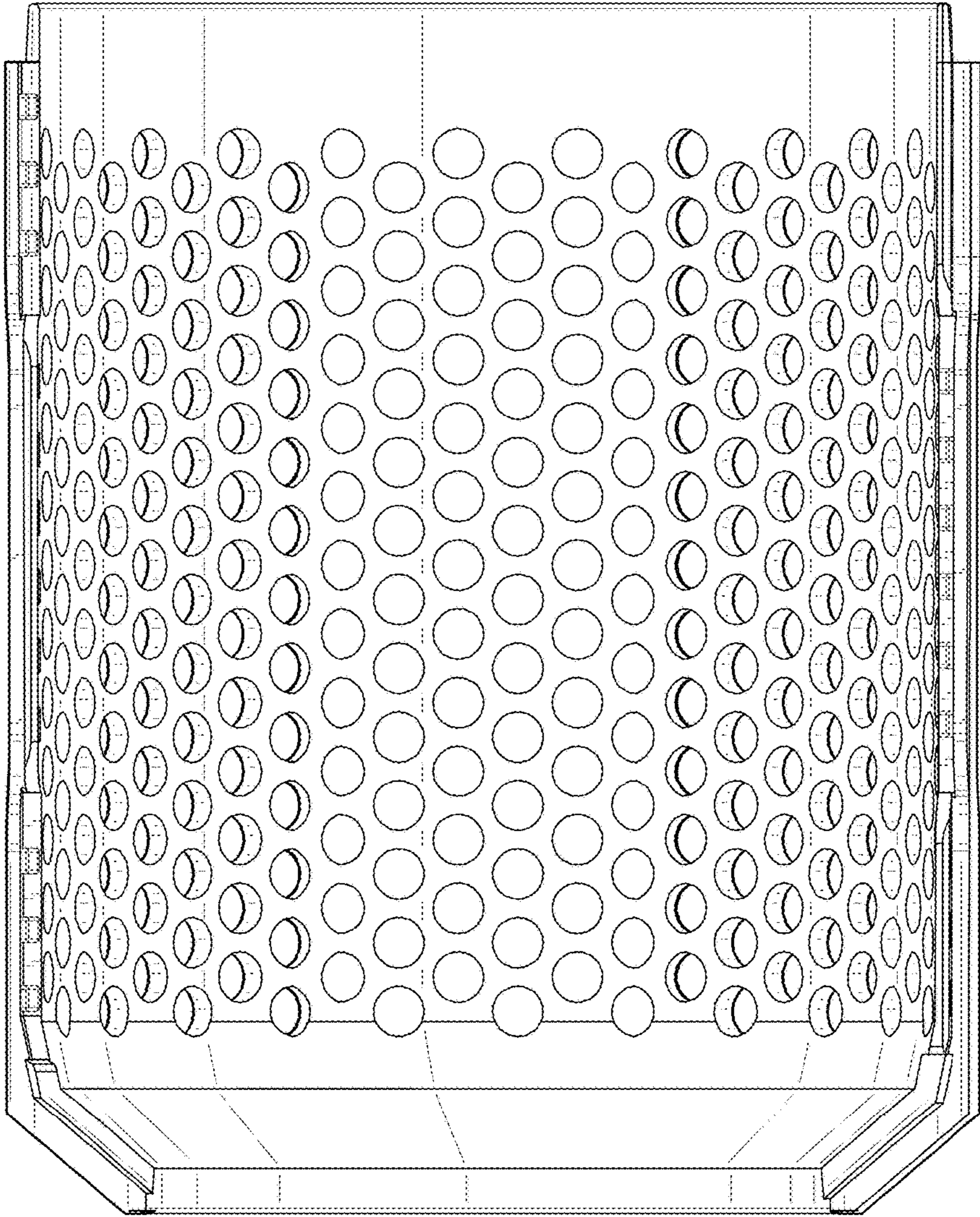


FIG. 2

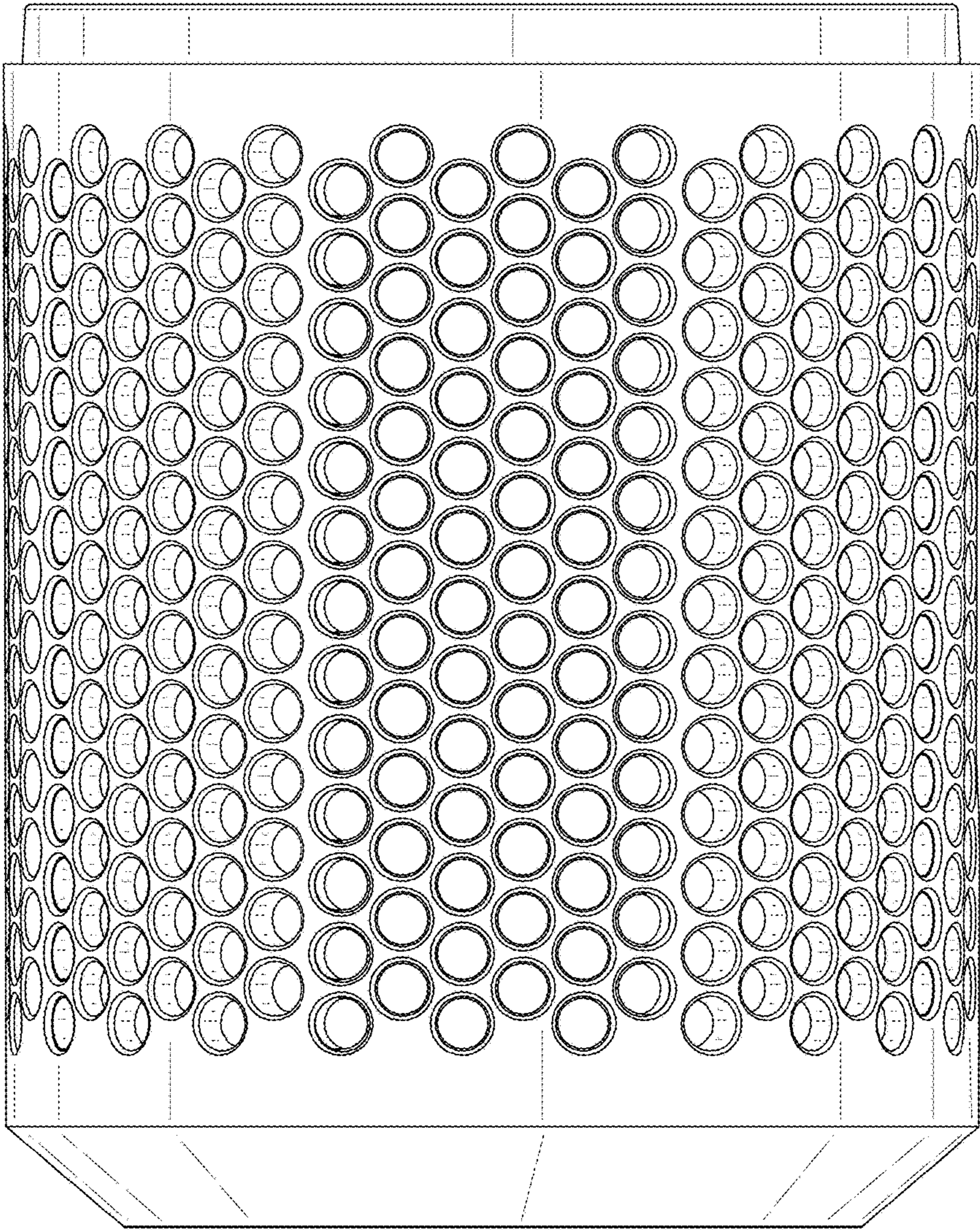


FIG. 3

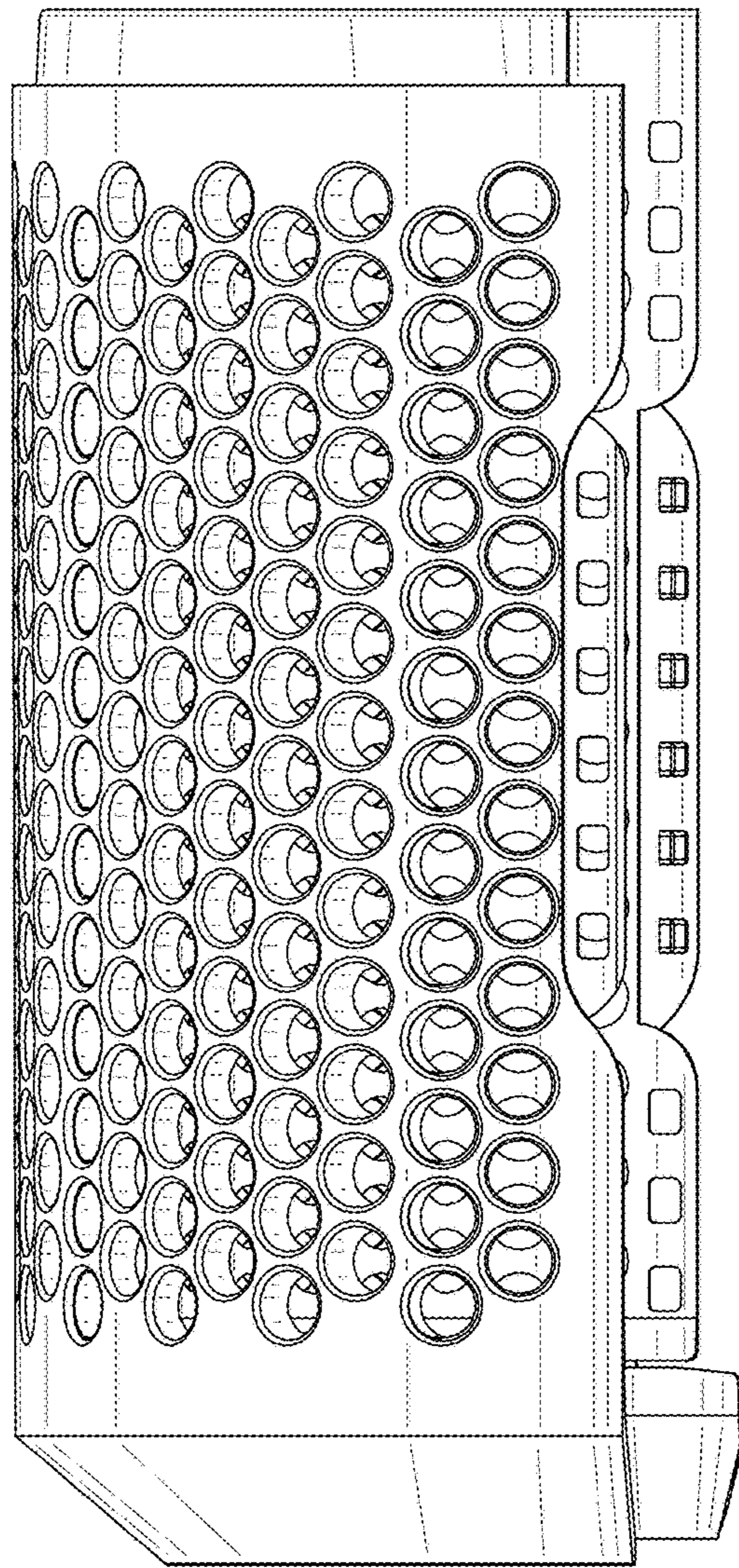


FIG. 4

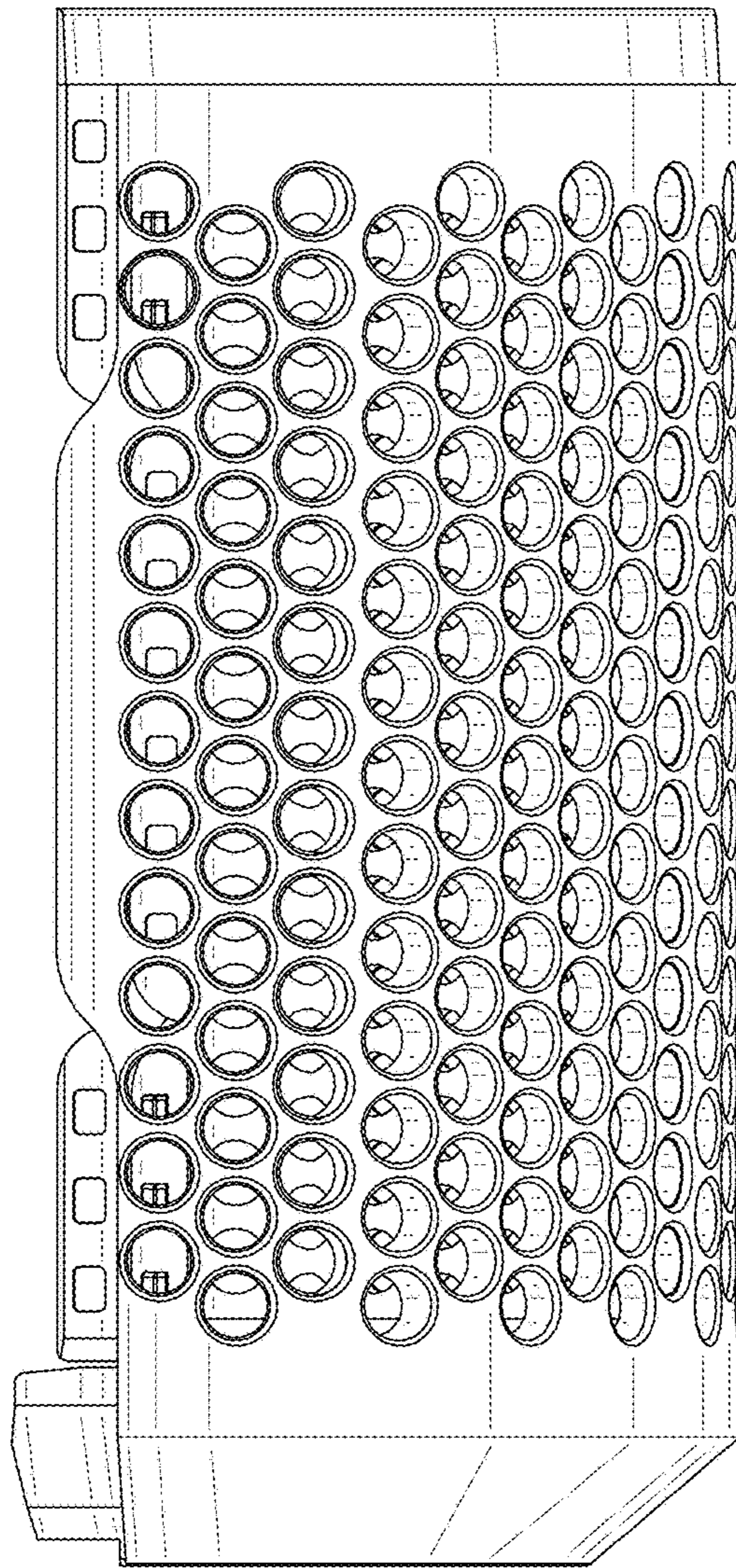


FIG. 5

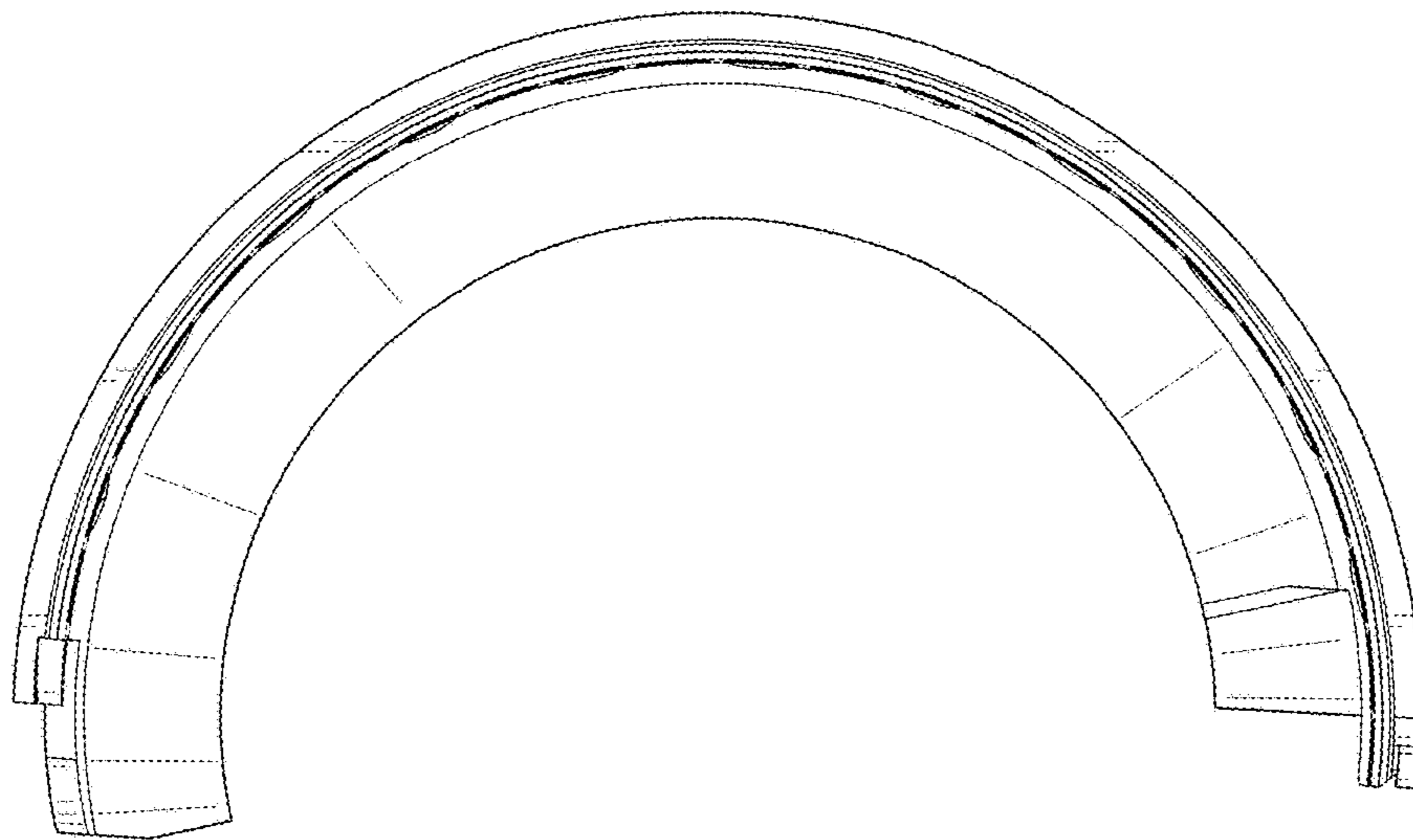


FIG. 6

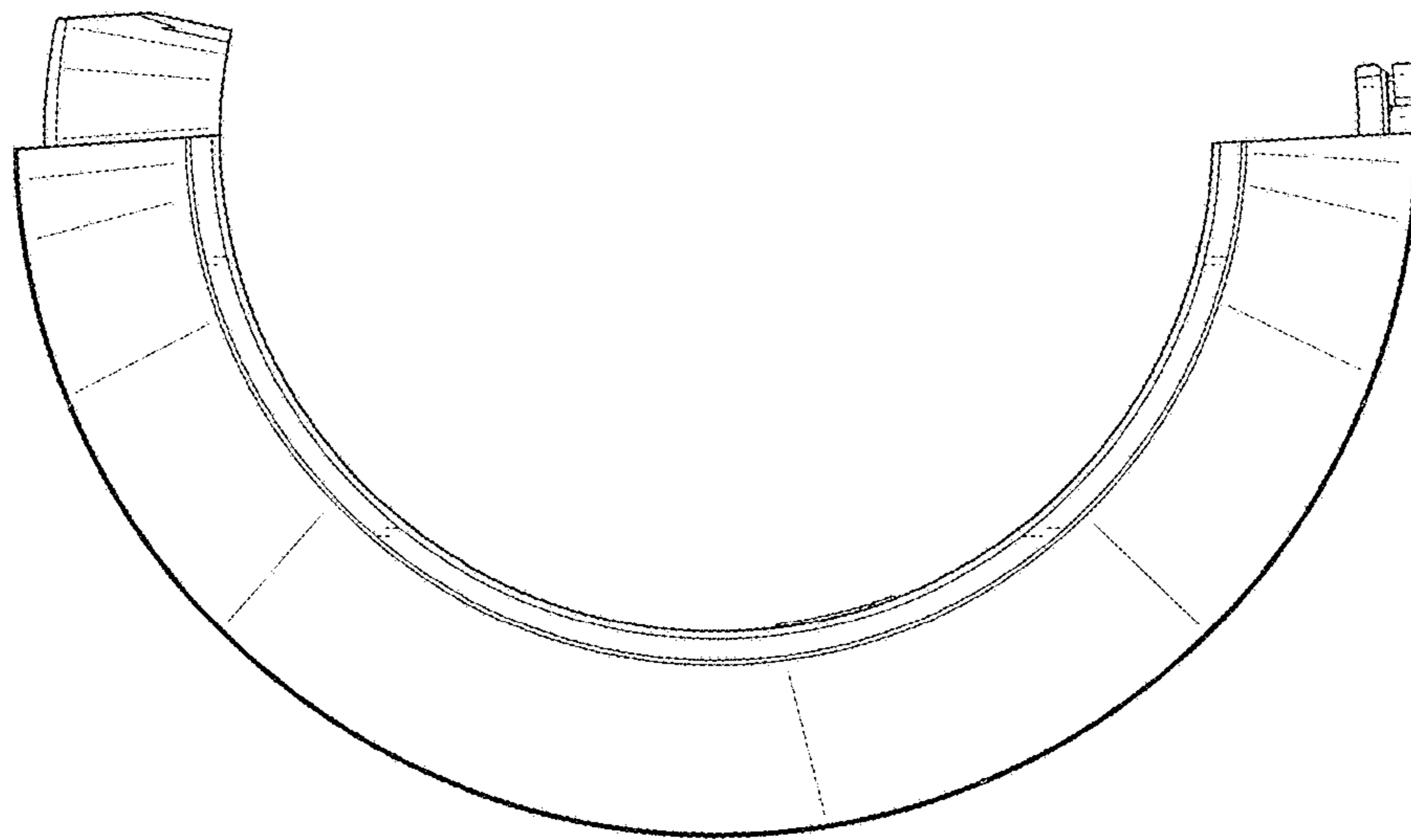


FIG. 7