



US00D856578S

(12) **United States Design Patent**
Pirasteh

(10) **Patent No.:** **US D856,578 S**

(45) **Date of Patent:** **** Aug. 13, 2019**

- (54) **FOREHEAD MASK**
- (71) Applicant: **Reza Pirasteh**, Plano, TX (US)
- (72) Inventor: **Reza Pirasteh**, Plano, TX (US)
- (**) Term: **15 Years**
- (21) Appl. No.: **29/656,538**
- (22) Filed: **Jul. 13, 2018**
- (51) **LOC (12) Cl.** **28-02**
- (52) **U.S. Cl.**
USPC **D28/7**
- (58) **Field of Classification Search**
USPC D28/4, 7, 9, 10, 11, 13, 44.2; D20/22;
D3/247; D29/108–110; D24/189, 206,
D24/208
CPC .. B65H 51/22; D03J 33/00; A61F 7/00; A61F
5/08
See application file for complete search history.

- 7,707,655 B2 * 5/2010 Braunecker A61F 7/03
2/206
- D646,846 S 10/2011 Román
- D663,478 S 7/2012 Tousley
- D678,534 S 3/2013 Durand et al.
- D689,651 S 9/2013 Kusuda et al.
- D712,592 S 9/2014 Watabe et al.
- D726,244 S * 4/2015 Defranco D16/301
- D726,368 S 4/2015 Durocher
- D726,970 S * 4/2015 Martin D29/108
- D780,250 S * 2/2017 Young D16/301
- D797,943 S 9/2017 Long
- 9,795,502 B1 * 10/2017 Kopes A61F 7/007

(Continued)

Primary Examiner — Jennifer Rivard
Assistant Examiner — Alison M Ofstun
 (74) *Attorney, Agent, or Firm* — John G. Fischer, Esq.;
 Scheef & Stone, L.L.P.

(57) **CLAIM**

The ornamental design for a forehead mask, as shown and described.

(56) **References Cited**

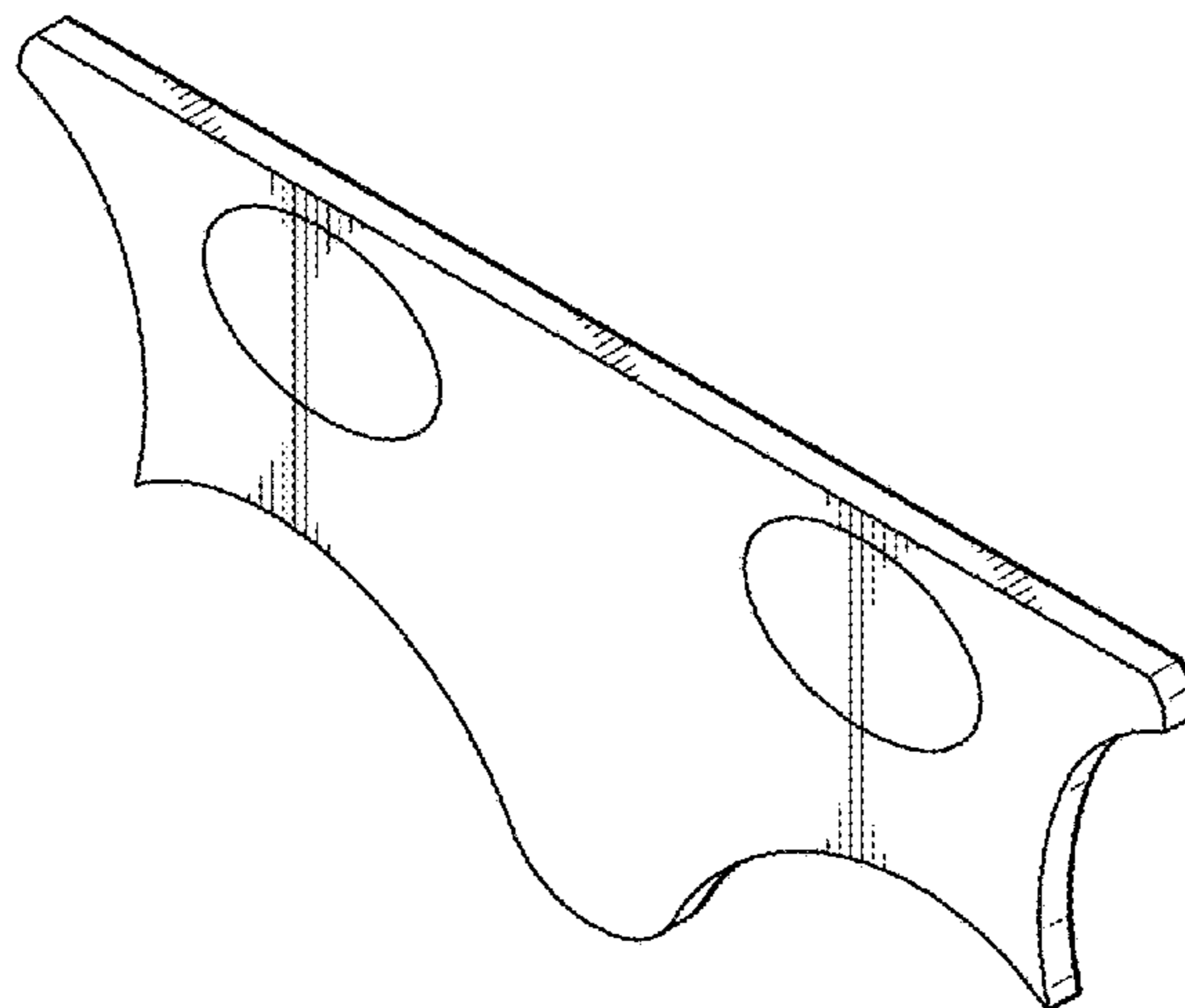
U.S. PATENT DOCUMENTS

- 2,001,862 A 5/1935 Battey
- 4,745,916 A 5/1988 Seber
- D335,937 S * 5/1993 Owens D21/660
- D388,534 S 12/1997 Uemura et al.
- D392,742 S * 3/1998 Clark, Sr. D24/206
- 5,785,978 A 7/1998 Porter et al.
- D400,901 S * 11/1998 Chapman D16/219
- 6,042,844 A 3/2000 Ishida et al.
- D423,712 S * 4/2000 Aoki D28/4
- D424,740 S 5/2000 Ono
- D426,019 S 5/2000 Aoki et al.
- D434,524 S 11/2000 Kalafsky et al.
- 6,649,181 B1 11/2003 Miner
- D487,942 S * 3/2004 Hiroi D28/4
- D499,509 S 12/2004 Hiroi
- 7,395,554 B2 * 7/2008 Kitayama A61F 7/02
128/206.23
- D605,816 S 12/2009 Holden et al.

DESCRIPTION

FIG. 1 is a perspective view of a forehead mask;
 FIG. 2 is a front view thereof;
 FIG. 3 is a rear view thereof;
 FIG. 4 is a right view thereof;
 FIG. 5 is a left view thereof;
 FIG. 6 is a top view thereof;
 FIG. 7 is a bottom view thereof;
 FIG. 8 is an exploded perspective view thereof;
 FIG. 9 is a perspective view thereof, shown in an environment of use; and,
 FIG. 10 is a perspective view thereof, shown in another environment of use.
 In the drawings, the broken lines represent environmental subject matter and form no part of the claimed design.

1 Claim, 5 Drawing Sheets



(56)

References Cited

U.S. PATENT DOCUMENTS

2005/0169973 A1* 8/2005 Kim A45D 44/002
424/443

* cited by examiner

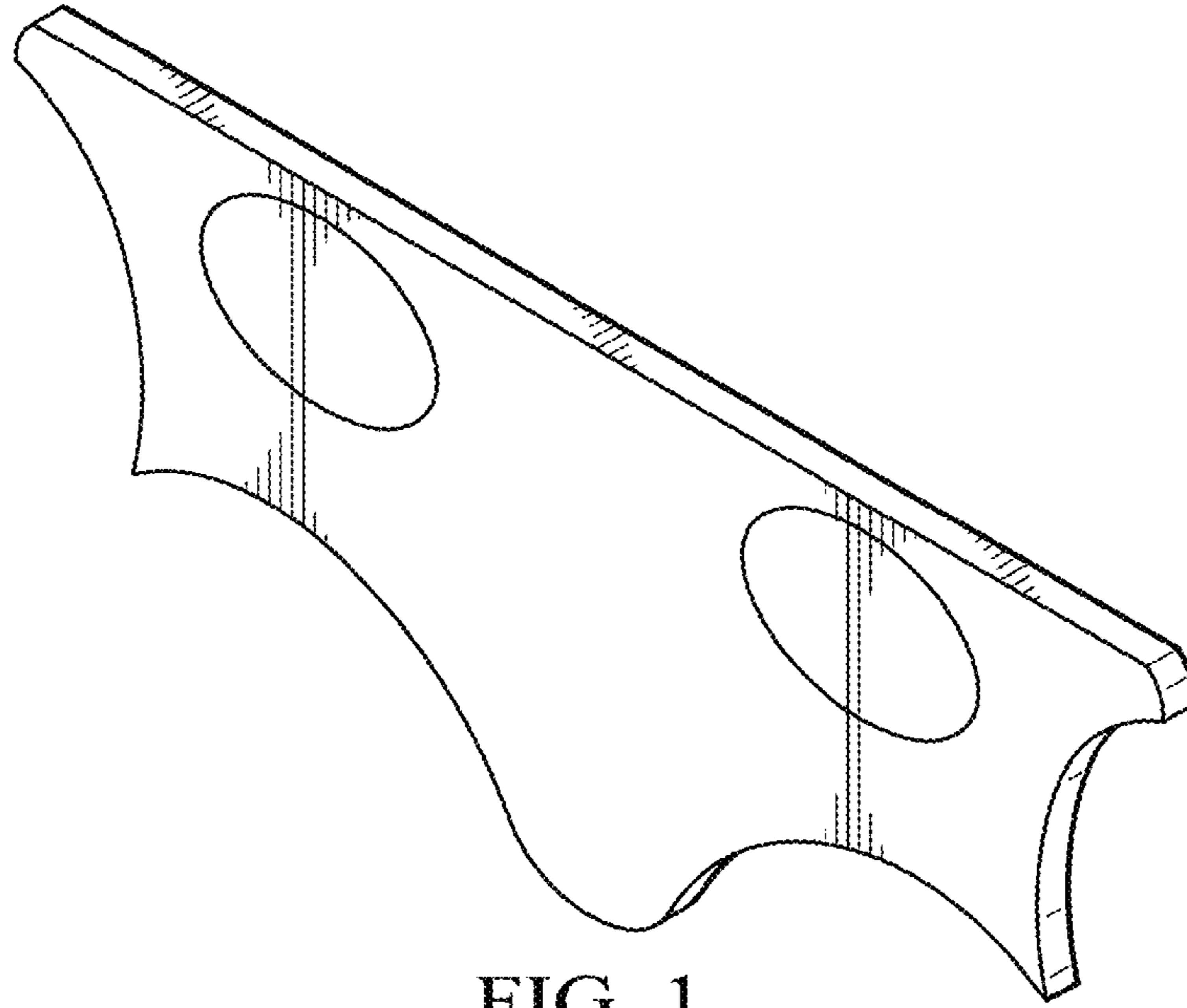


FIG. 1

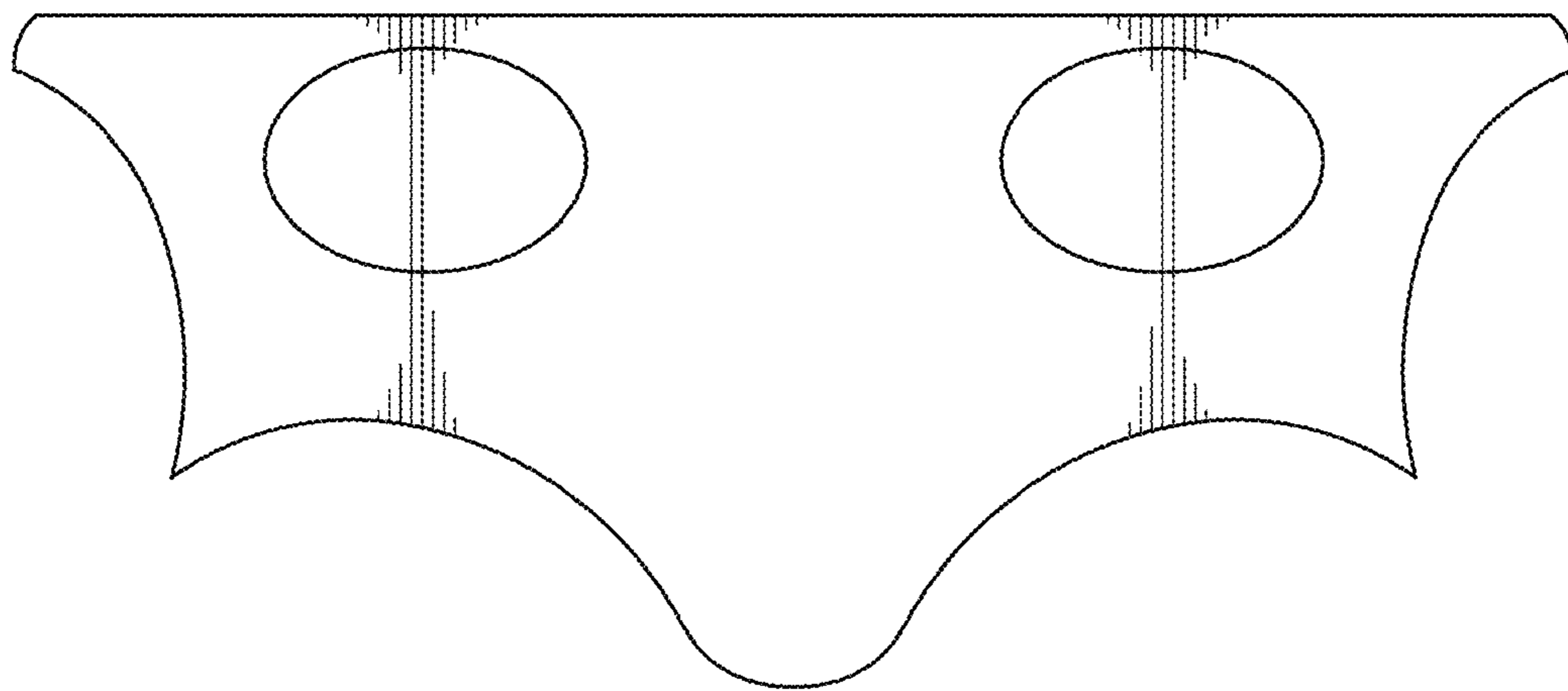


FIG. 2

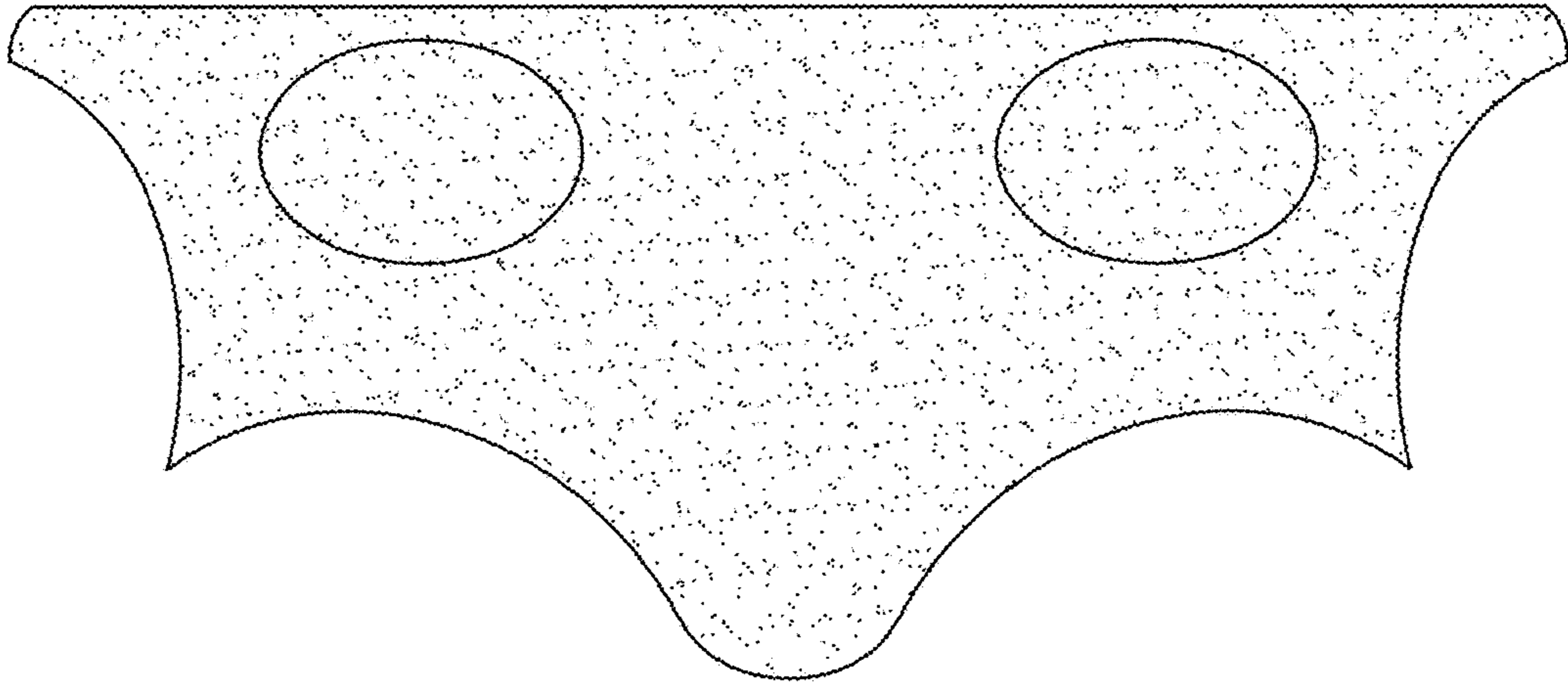


FIG. 3



FIG. 4



FIG. 5



FIG. 6



FIG. 7

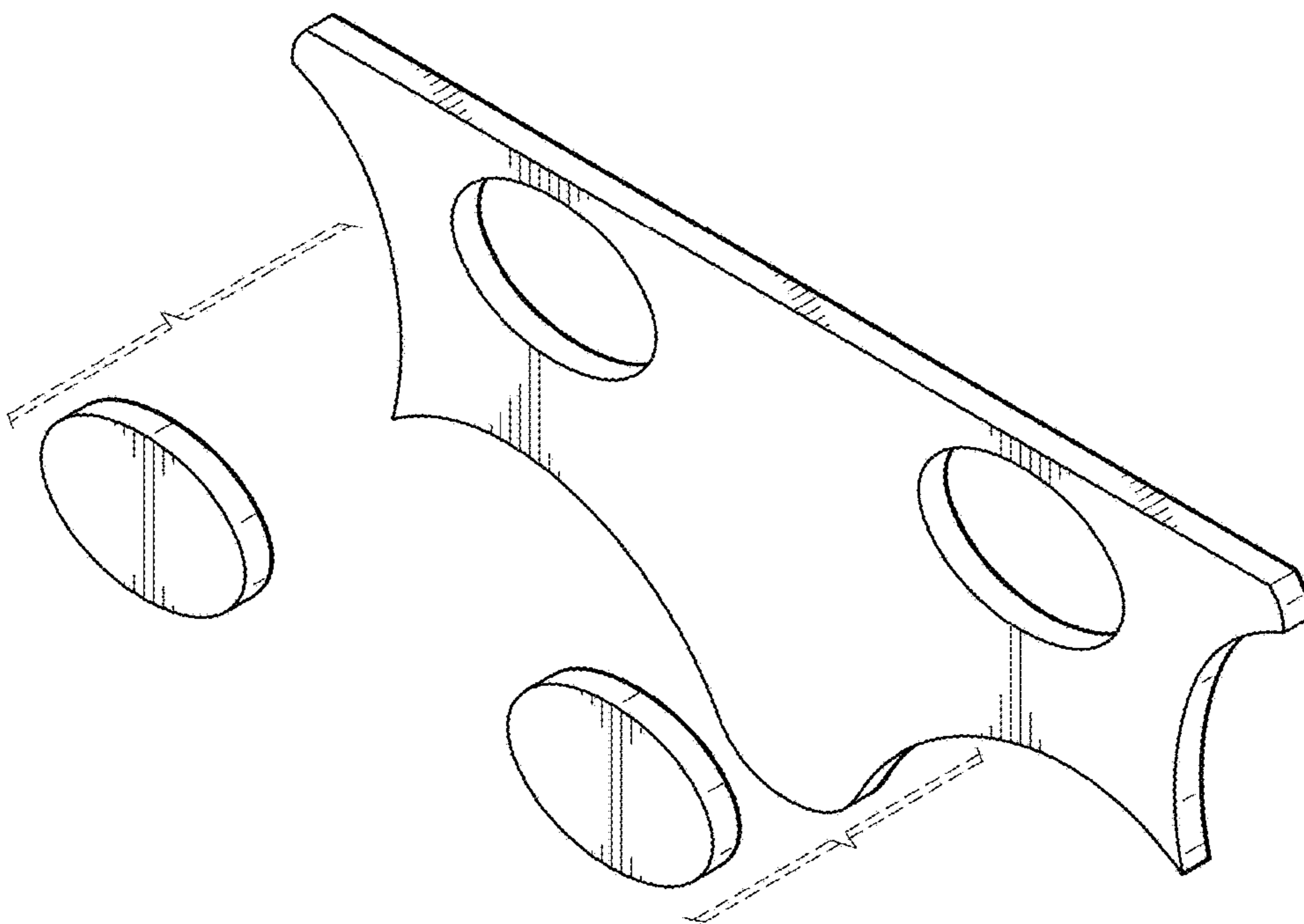


FIG. 8

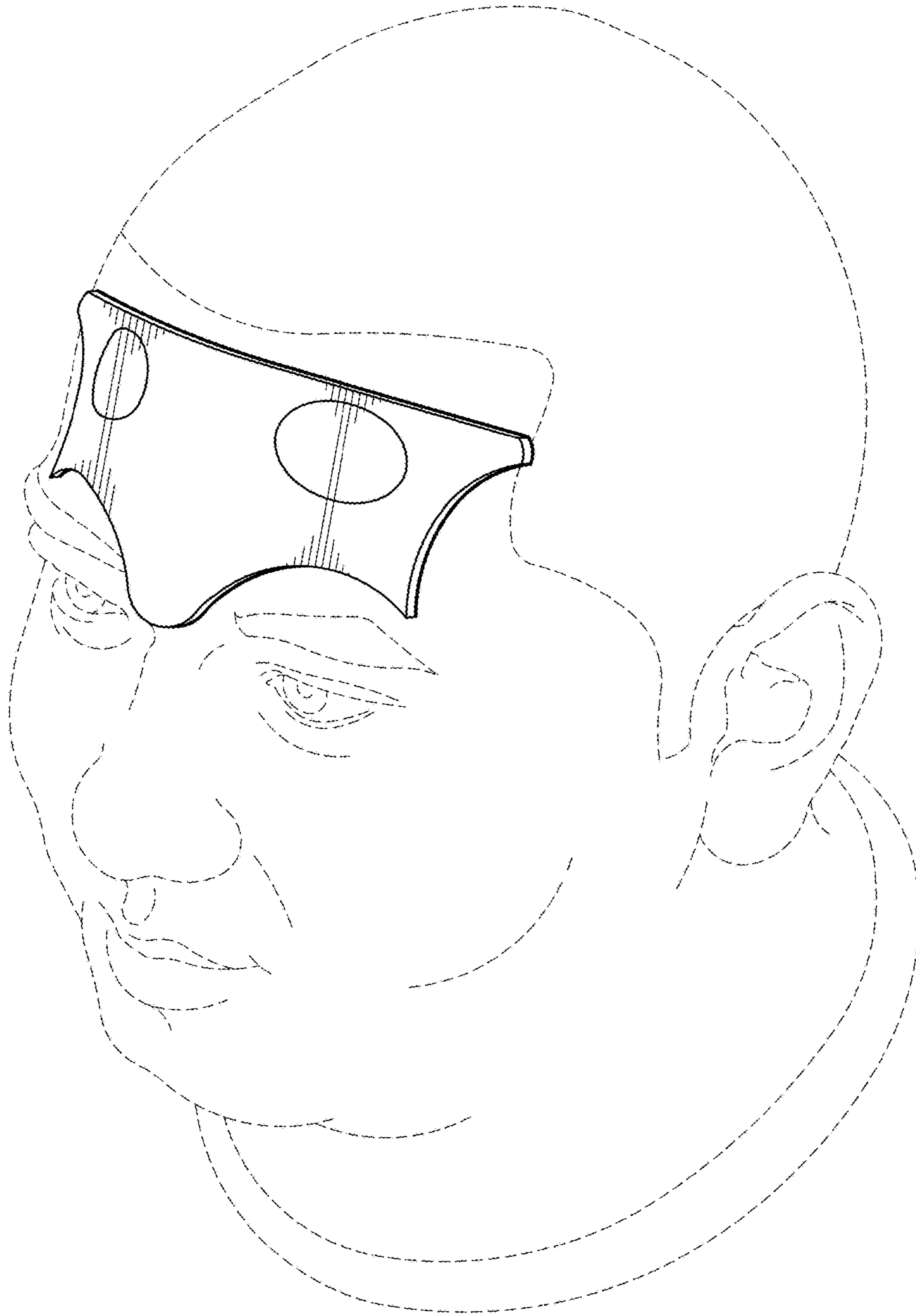


FIG. 9

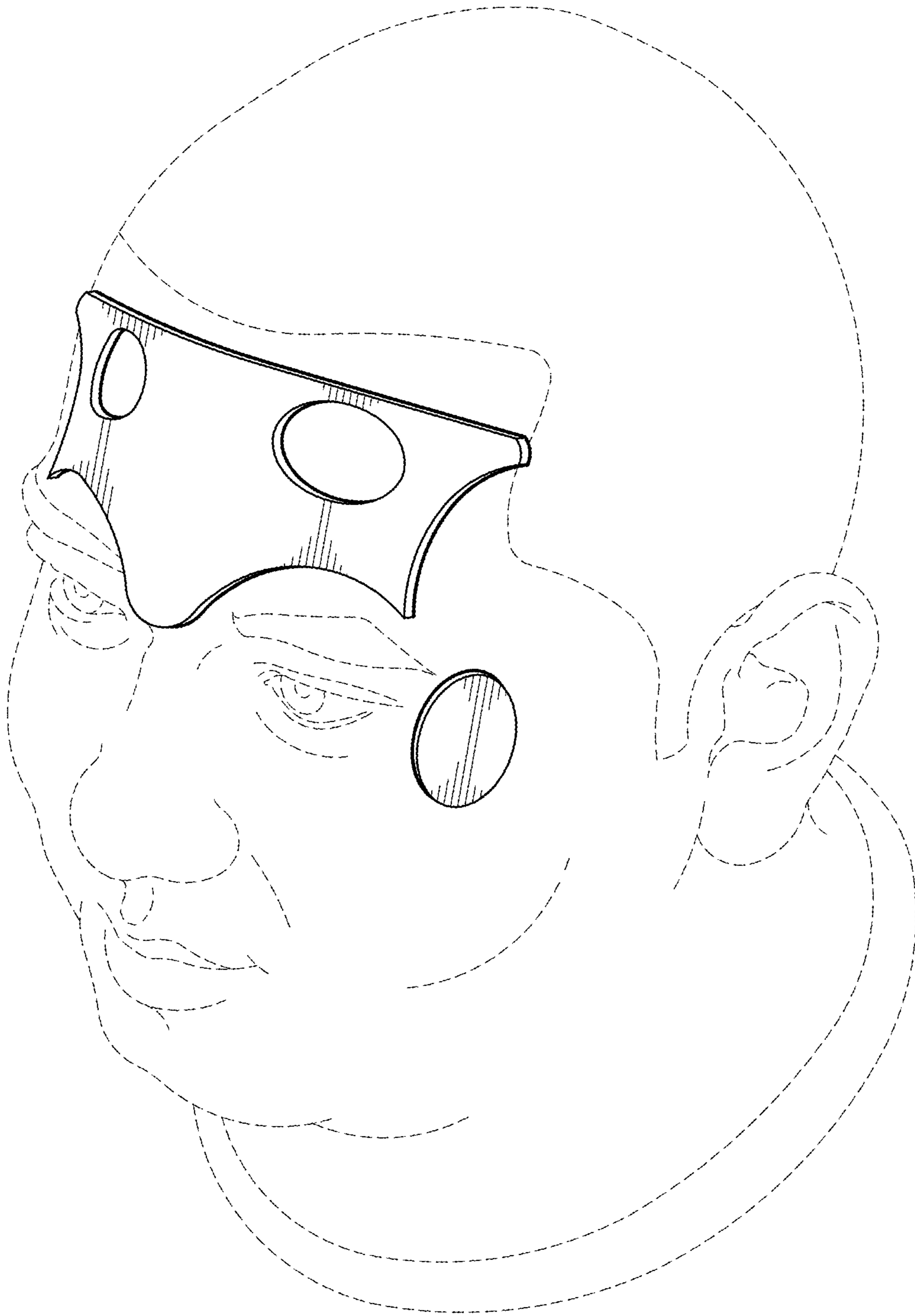


FIG. 10