



US00D856577S

(12) **United States Design Patent** (10) **Patent No.:** **US D856,577 S**  
**Zhang et al.** (45) **Date of Patent:** **\*\* Aug. 13, 2019**

- (54) **DISPENSING APPLICATOR**
- (71) Applicant: **Adhezion Biomedical, LLC**,  
Wyomissing, PA (US)
- (72) Inventors: **Sheng Zhang**, Hickory, NC (US);  
**Kelsey Moylan**, Granite Falls, NC  
(US); **Rafael Ruiz, Sr.**, Hudson, NC  
(US)
- (73) Assignee: **Adhezion Biomedical, LLC**,  
Wyomissing, PA (US)
- (\*\*) Term: **15 Years**
- (21) Appl. No.: **29/630,030**
- (22) Filed: **Dec. 19, 2017**
- (51) **LOC (12) Cl.** ..... **28-02**
- (52) **U.S. Cl.**  
USPC ..... **D28/7**
- (58) **Field of Classification Search**  
USPC ..... D28/7, 8; D4/137; D9/723, 725, 727,  
D9/729; 132/137  
CPC ..... A45D 2200/10; A45D 2200/1009; A45D  
2200/1036; A45D 2200/1063; A61M  
35/00; A61M 35/003; A61M 35/006  
See application file for complete search history.

- (56) **References Cited**  
U.S. PATENT DOCUMENTS
- |              |         |             |         |
|--------------|---------|-------------|---------|
| D269,811 S   | 7/1983  | Kaufman     |         |
| D305,369 S   | 1/1990  | Gavin       |         |
| D416,645 S * | 11/1999 | Spudeno     | D28/7   |
| D429,847 S * | 8/2000  | Lang        | D28/7   |
| D544,644 S * | 6/2007  | Hartstock   | D28/7   |
| D573,304 S   | 7/2008  | Tsaur       |         |
| D573,753 S   | 7/2008  | Tsaur       |         |
| D641,468 S   | 7/2011  | Ruiz et al. |         |
| D641,469 S * | 7/2011  | Ruiz, Sr.   | D24/133 |

- |              |         |              |         |
|--------------|---------|--------------|---------|
| D641,932 S   | 7/2011  | Poletto      |         |
| D655,004 S * | 2/2012  | Ruiz, Sr.    | D24/133 |
| D663,836 S   | 7/2012  | Ruiz et al.  |         |
| D664,251 S   | 7/2012  | Ruiz, Sr.    |         |
| D669,981 S   | 10/2012 | Ruiz et al.  |         |
| D669,982 S   | 10/2012 | Ruiz, Sr.    |         |
| D686,365 S   | 7/2013  | Ruiz et al.  |         |
| D686,366 S   | 7/2013  | Ruiz, Sr.    |         |
| D692,179 S   | 10/2013 | Stadlbauer   |         |
| D694,951 S   | 12/2013 | Solomon, Jr. |         |
| D707,392 S * | 6/2014  | Yu           | D28/7   |
| D734,539 S * | 7/2015  | Yeo          | D28/7   |
| D748,780 S   | 2/2016  | Zhang et al. |         |
| D748,781 S   | 2/2016  | Zhang et al. |         |
| D748,782 S   | 2/2016  | Zhang et al. |         |
| D748,783 S   | 2/2016  | Zhang et al. |         |
| D756,127 S   | 5/2016  | Nicoline     |         |
| D771,248 S   | 11/2016 | Ruiz et al.  |         |
| D771,250 S   | 11/2016 | Zhang et al. |         |
| D772,407 S   | 11/2016 | Zhang et al. |         |

(Continued)

*Primary Examiner* — Susan Bennett Hattan  
*Assistant Examiner* — Rebecca Tsehaye  
(74) *Attorney, Agent, or Firm* — Stradley Ronon Stevens  
& Young, LLP

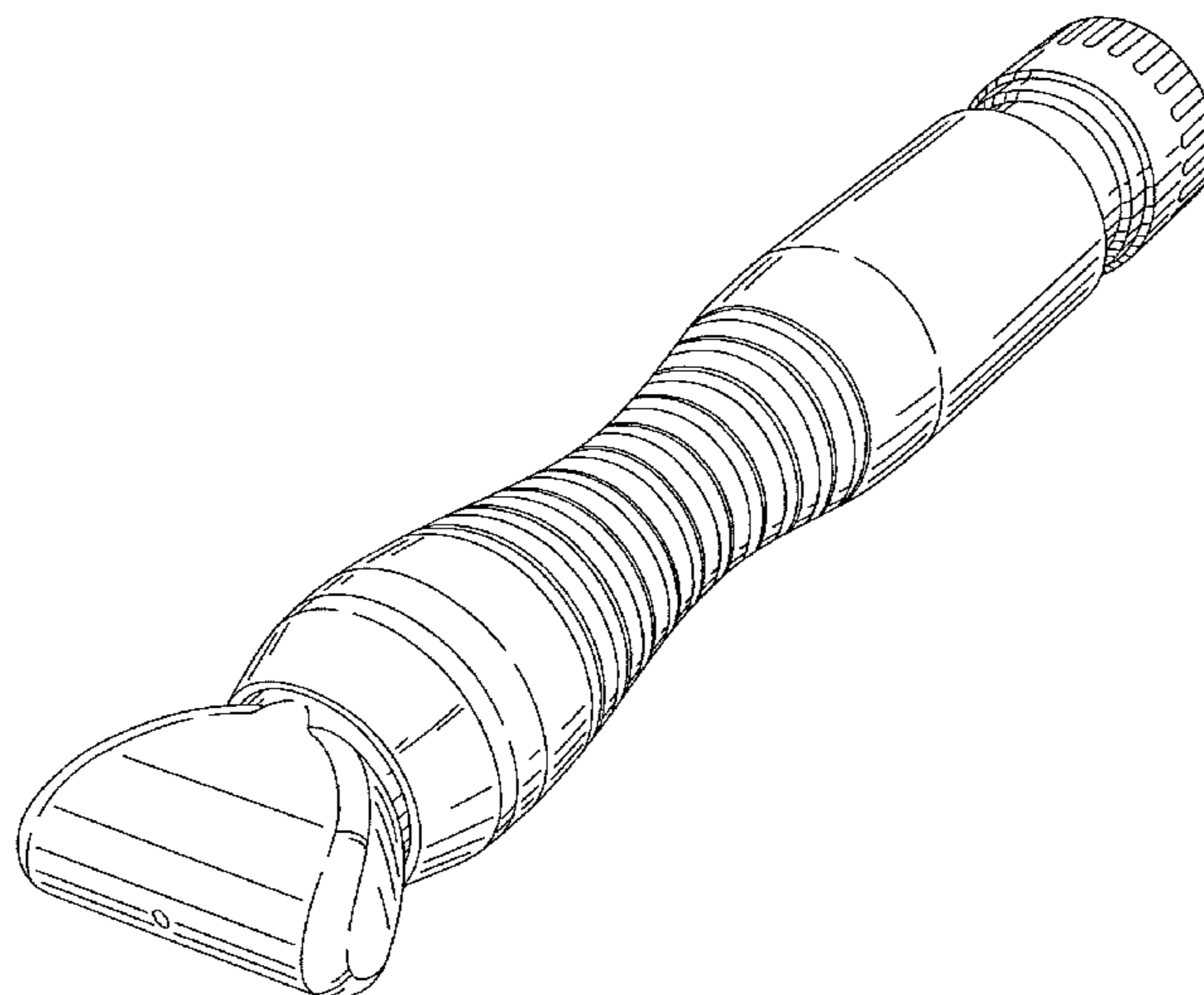
(57) **CLAIM**

The ornamental design for a dispensing applicator, as shown and described.

**DESCRIPTION**

FIG. 1 is a perspective view of the dispensing applicator; FIG. 2 is a top view of the dispensing applicator; FIG. 3 is a bottom view of the dispensing applicator; FIG. 4 is a side view of the dispensing applicator; FIG. 5 is an opposing side view of the dispensing applicator; FIG. 6 is a front view of the dispensing applicator; and, FIG. 7 is a rear view of the dispensing applicator. Broken lines are shown for illustration purposes and form no part of the claimed design.

**1 Claim, 4 Drawing Sheets**



(56)

**References Cited**

U.S. PATENT DOCUMENTS

D776,343 S *	1/2017	Rhoades .....	D28/7
D778,174 S	2/2017	Zhang et al.	
D779,117 S *	2/2017	Staab .....	D28/7
D787,743 S	5/2017	Rosenthal	
D787,835 S	5/2017	Lim	
D801,830 S	11/2017	Zhang et al.	
D809,198 S	1/2018	Zhang et al.	
D812,295 S *	3/2018	Staab .....	D28/7
D819,265 S *	5/2018	Crane .....	D28/7
D826,472 S *	8/2018	Pires .....	D28/7
D828,010 S *	9/2018	Hawley .....	D3/18

\* cited by examiner

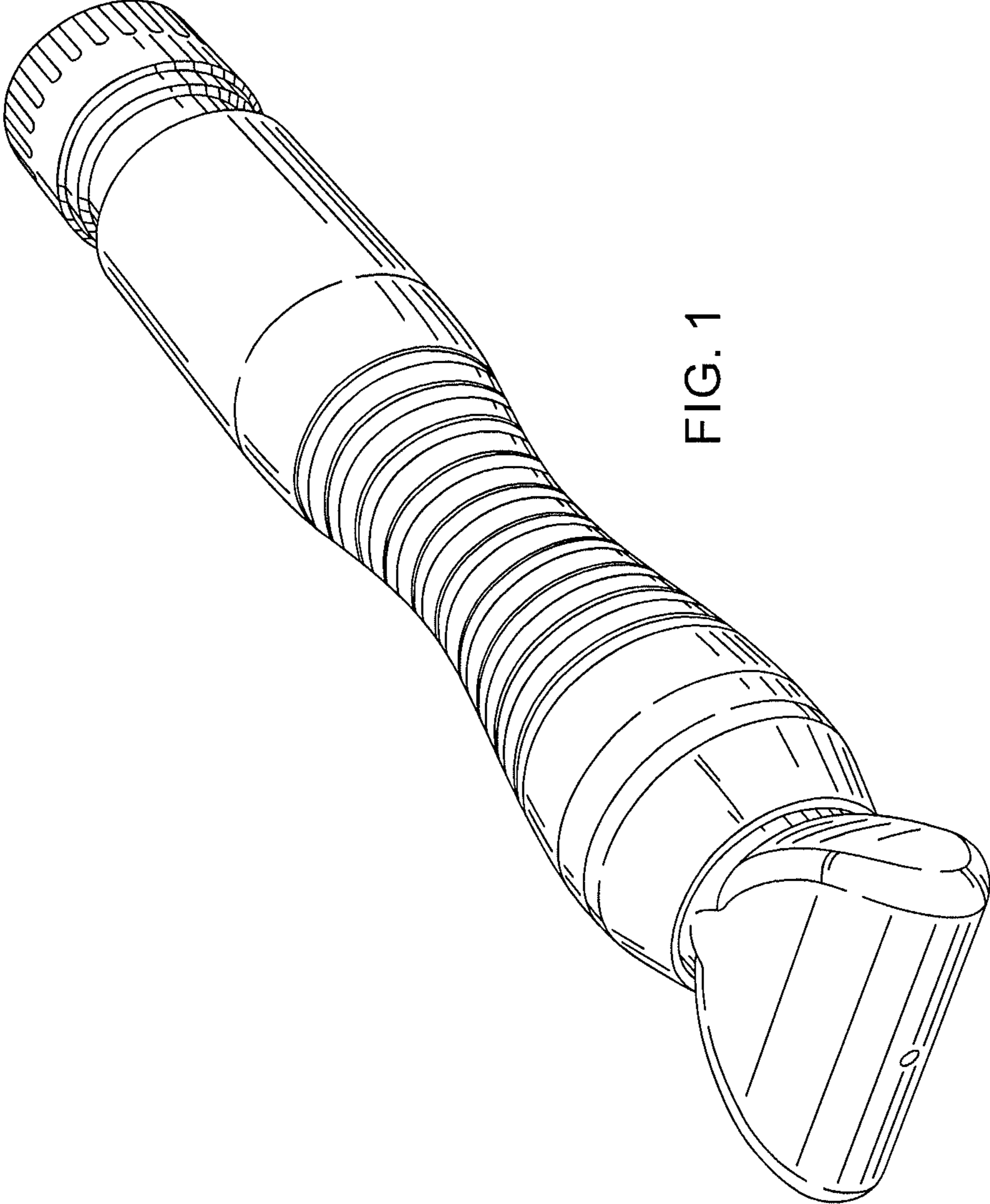


FIG. 1

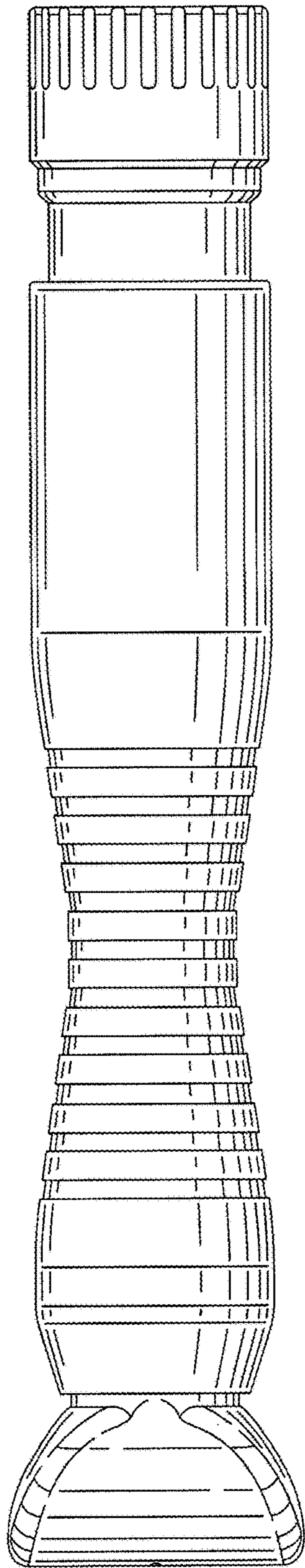


FIG. 2

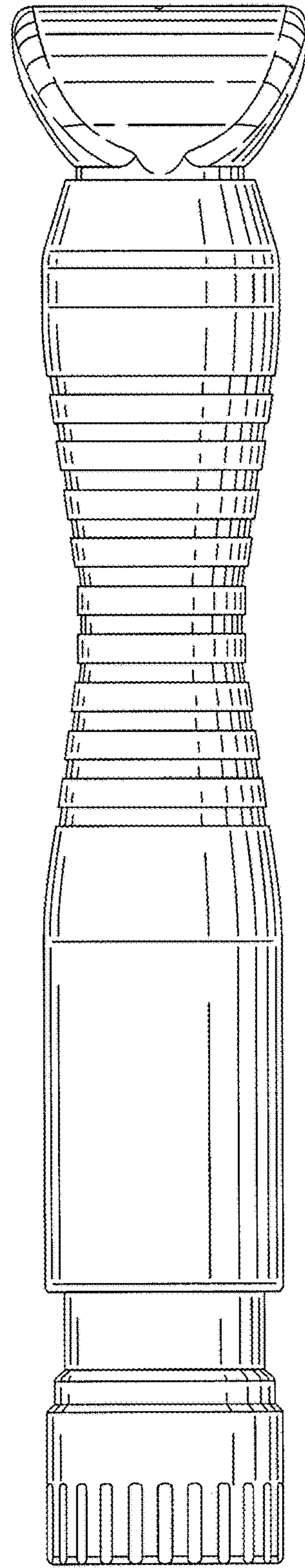


FIG. 3

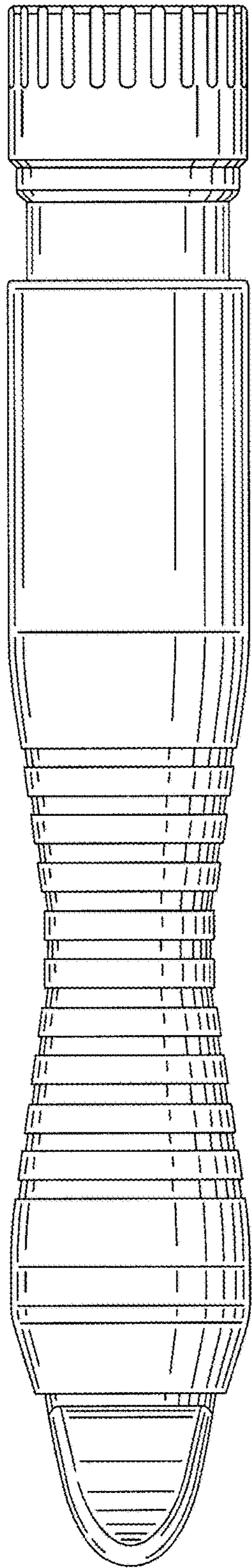


FIG. 4

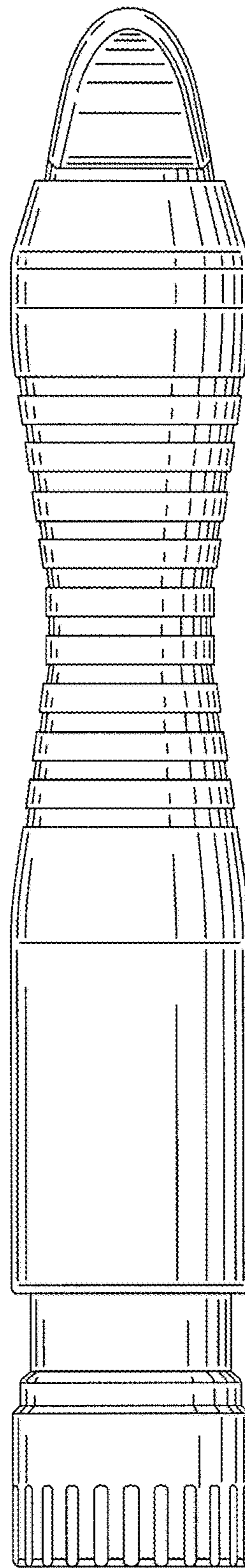


FIG. 5

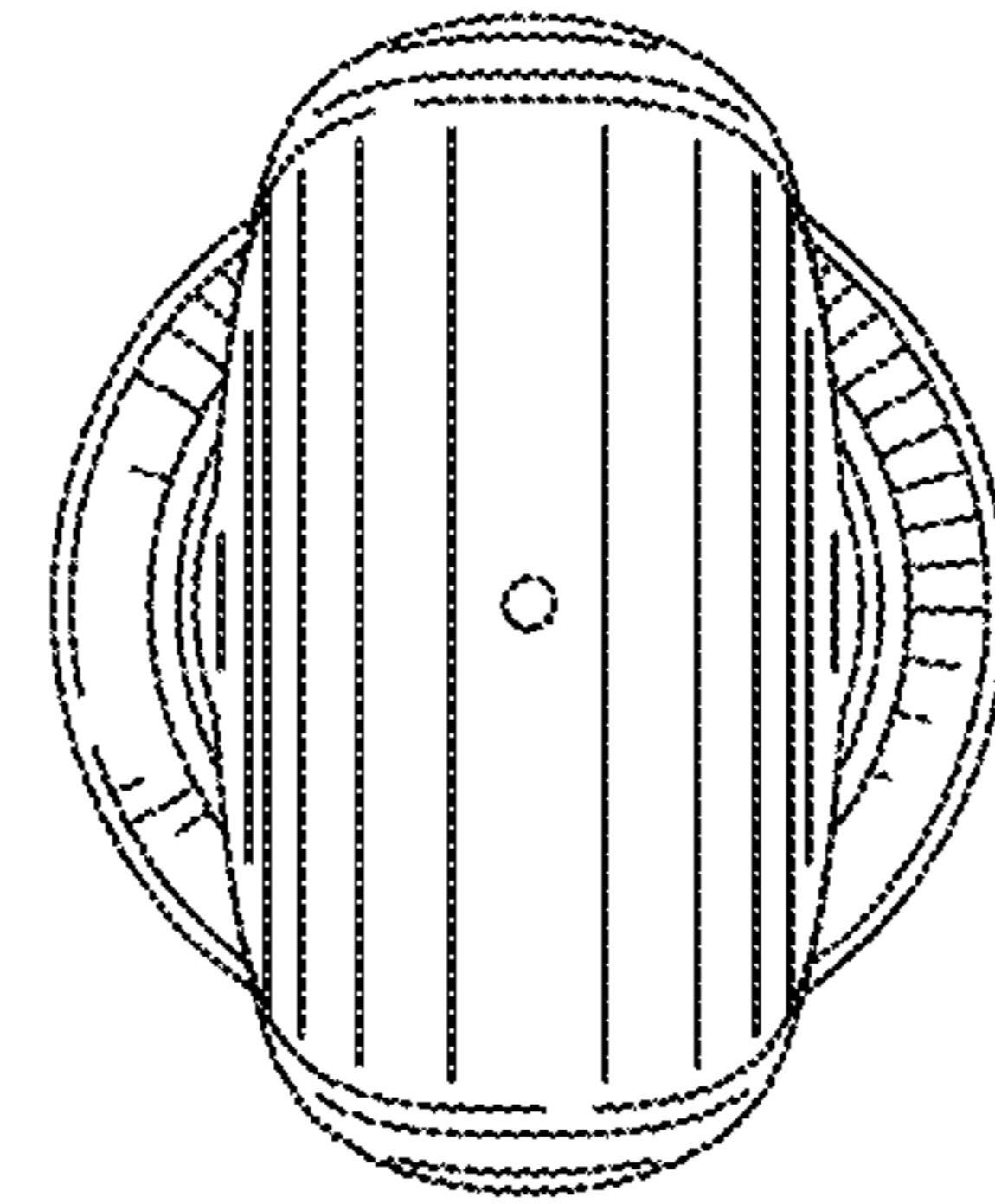


FIG. 7



FIG. 6