



US00D856574S

(12) **United States Design Patent** (10) **Patent No.:** **US D856,574 S**
Trzcielinski (45) **Date of Patent:** **** Aug. 13, 2019**

(54) **HOUSING FOR A LED-BASED LIGHTING APPARATUS**

(71) Applicant: **LED LABS Sp. z o.o.**, Cracow (PL)

(72) Inventor: **Grzegorz Trzcielinski**, Cracow (PL)

(73) Assignee: **LED LABS SP. Z O.O.**, Cracow (PL)

(**) Term: **15 Years**

(21) Appl. No.: **29/605,597**

(22) Filed: **May 26, 2017**

(51) **LOC (12) Cl.** **26-06**

(52) **U.S. Cl.**
 USPC **D26/138**

(58) **Field of Classification Search**
 USPC D26/76, 78, 79, 80, 81, 82, 83, 85, 86,
 D26/88, 90, 93, 111, 113, 118, 119, 120,
 D26/121, 122, 138, 139, 140, 141, 142,
 D26/152
 CPC F21S 2/00; F21S 4/00; F21S 4/003; F21S
 4/005; F21S 4/006; F21S 4/007; F21S
 4/008; F21S 6/00; F21S 8/00; F21S
 8/024; F21S 8/026; F21S 8/031; F21S
 8/033; F21S 8/035–8/037; F21S 8/04;
 F21S 8/043; F21S 8/063

See application file for complete search history.

(56) **References Cited**

U.S. PATENT DOCUMENTS

6,561,690 B2 *	5/2003	Balestriero	F21V 29/87 362/555
D578,705 S *	10/2008	Aberg	D26/138
D625,463 S *	10/2010	Klus	D26/138
D639,098 S *	6/2011	Bosgoed	D6/580
D641,923 S *	7/2011	Radchenko	D26/138
D649,688 S *	11/2011	Trzesniowski	D26/138
D698,075 S *	1/2014	Klus	D26/138
D705,982 S *	5/2014	Klus	D26/138
D818,193 S *	5/2018	Trzesniowski	D26/138

* cited by examiner

Primary Examiner — Natasha Vujcic
 (74) *Attorney, Agent, or Firm* — Andrew Malarz, Esq.

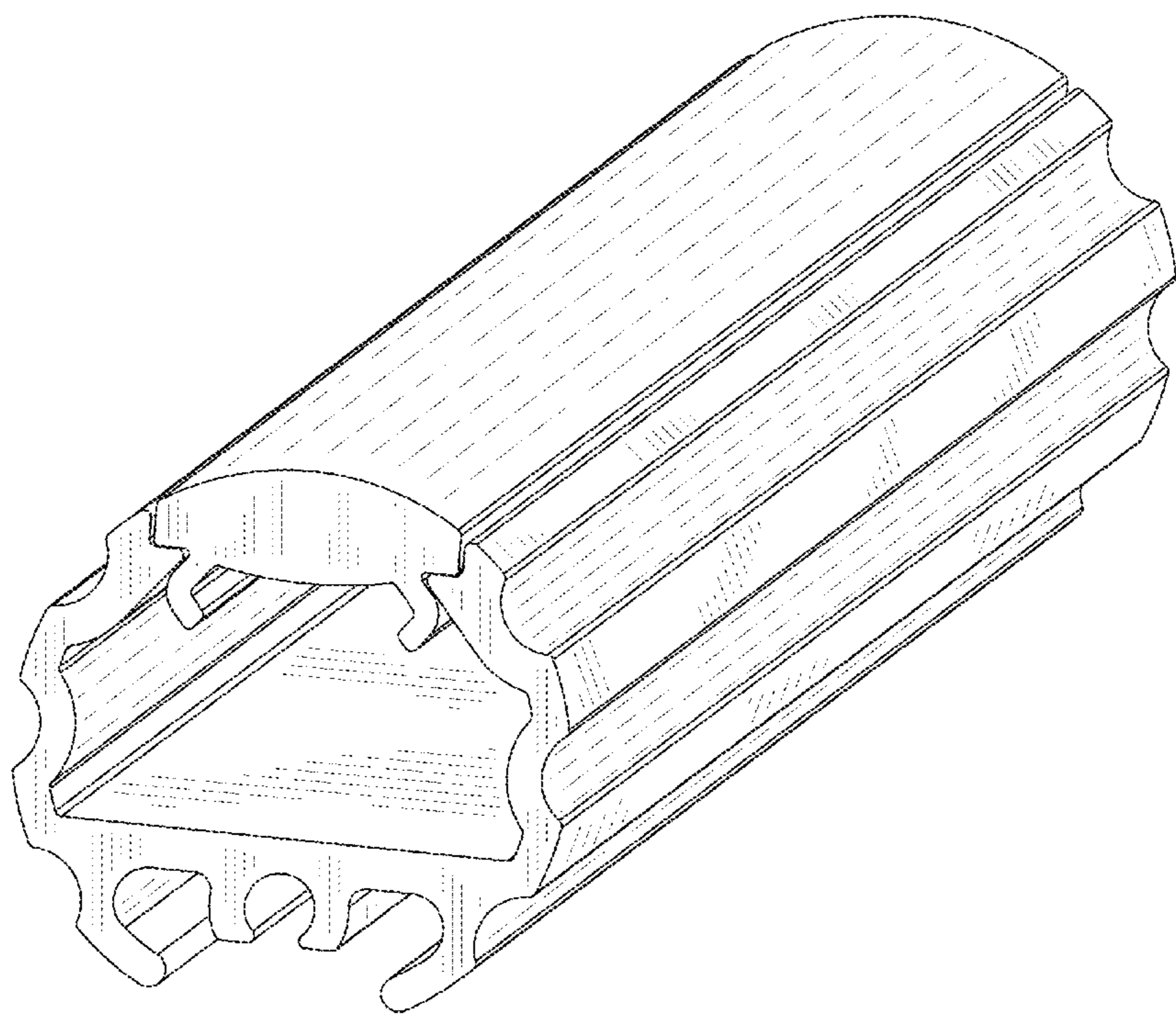
(57) **CLAIM**

An ornamental design for a housing for a LED-based lighting apparatus, as shown and described.

DESCRIPTION

FIG. 1 is a front isometric view of a housing for a LED based lighting apparatus;
 FIG. 2 is a front view of the housing shown in FIG. 1;
 FIG. 3 is a bottom view of the housing shown in FIG. 1;
 FIG. 4 is a side view of the housing shown in FIG. 1; and,
 FIG. 5 is a upper view of the housing shown in FIG. 1.

1 Claim, 5 Drawing Sheets



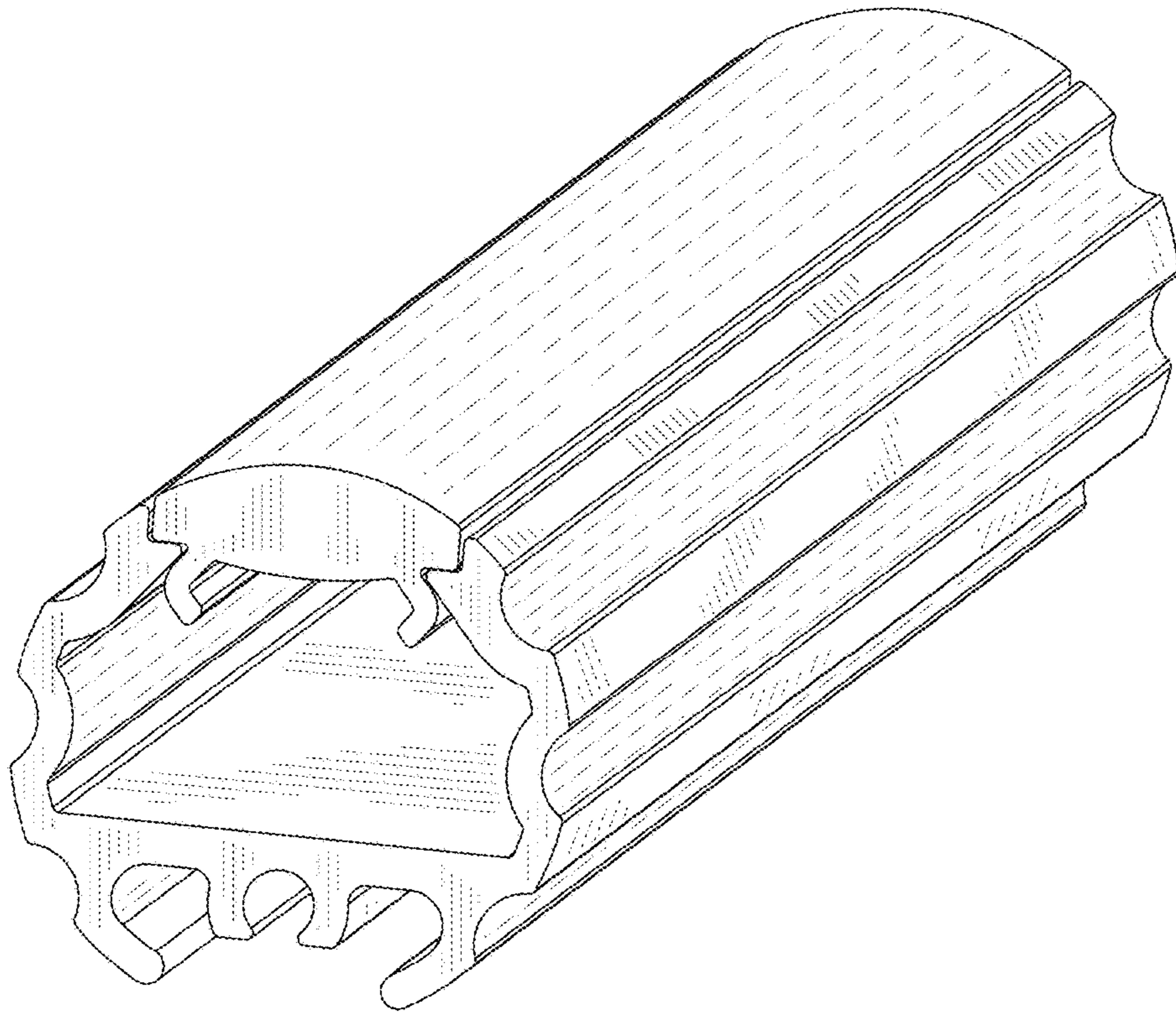


Fig. 1.

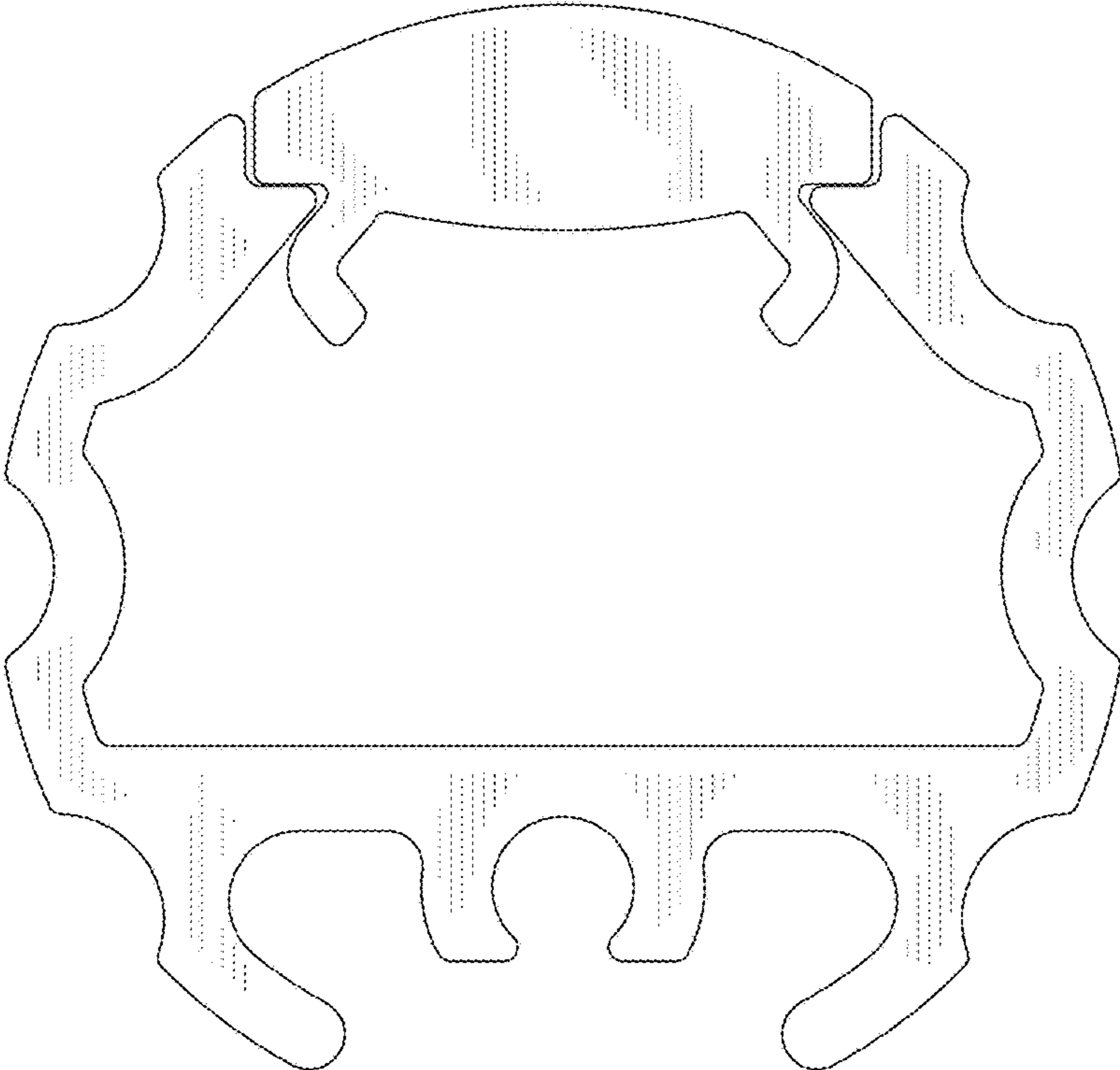


Fig. 2.

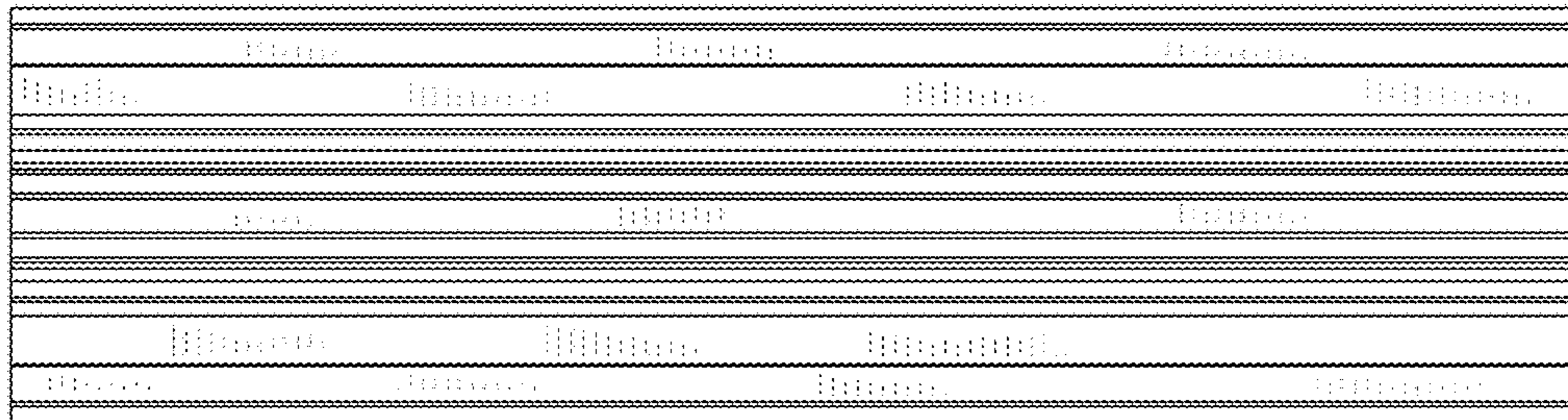


Fig. 3.

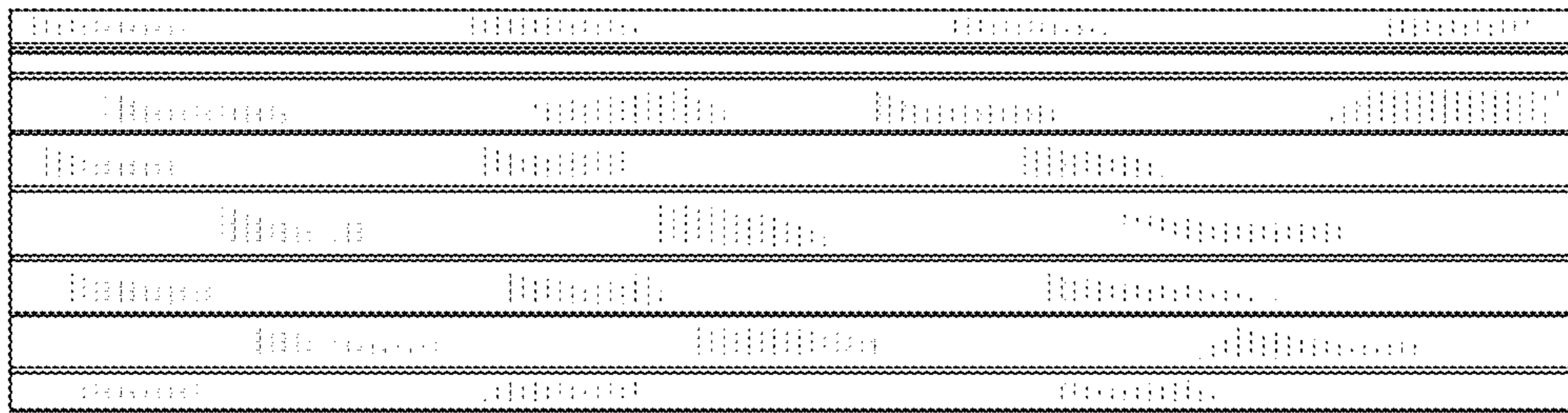


Fig. 4.

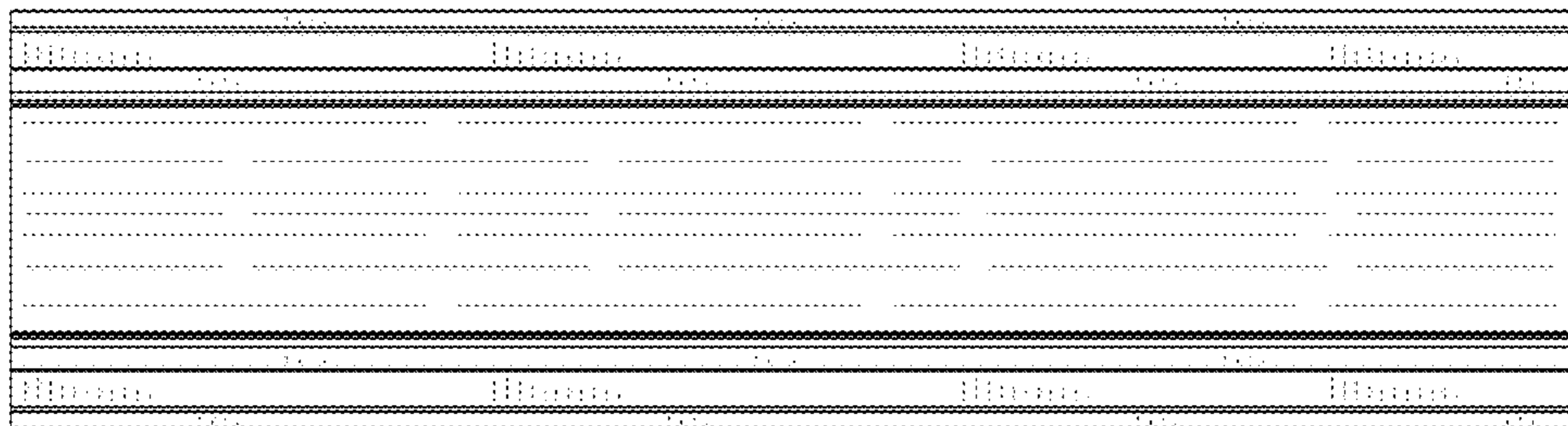


Fig. 5.