



US00D856573S

(12) **United States Design Patent** (10) **Patent No.:** **US D856,573 S**
McRoberts (45) **Date of Patent:** **** Aug. 13, 2019**

(54) **CEILING FAN LIGHT GLASS**

(71) Applicant: **HUNTER FAN COMPANY**,
Memphis, TN (US)
(72) Inventor: **Claire Bernice McRoberts**, Memphis,
TN (US)
(73) Assignee: **Hunter Fan Company**, Memphis, TN
(US)

(**) Term: **15 Years**

(21) Appl. No.: **29/641,006**

(22) Filed: **Mar. 19, 2018**

(51) **LOC (12) Cl.** **26-05**

(52) **U.S. Cl.**
USPC **D26/128**

(58) **Field of Classification Search**

USPC D26/24, 59, 105, 113, 118, 119, 120,
D26/123, 124, 128, 137, 138; D30/101,
D30/102, 104; D8/300, 301, 310;
362/185, 186, 235, 317, 351; D23/377,
D23/385, 411

CPC F21V 15/01; F21V 15/02; F21V 15/012;
F21V 3/00; F21V 3/02; F21V 3/049;
F21V 3/061; F21V 29/20; F21V 29/506;
F21V 29/507

See application file for complete search history.

(56) **References Cited**

U.S. PATENT DOCUMENTS

D124,167 S * 12/1940 Arenberg D26/124
D268,195 S * 3/1983 Kalish D21/771
D363,362 S * 10/1995 Davis, Sr. D26/131
D420,120 S 2/2000 Evans
D486,940 S * 2/2004 Yiu D26/138
D487,801 S 3/2004 Hsieh
D516,704 S * 3/2006 Pickett D23/411
D533,292 S * 12/2006 Hidalgo D26/59

(Continued)

OTHER PUBLICATIONS

<https://www.hunterfan.com/ceiling-fans/hepburn-with-led-light-52-inch-fan791>, Hunter Fan Hepburn 52 inch with LED Light in Matte Black, Model No. 59321, accessed Sep. 19, 2017.

(Continued)

Primary Examiner — Wan Laymon

Assistant Examiner — Clint A Samuel

(74) *Attorney, Agent, or Firm* — McGarry Bair PC

(57) **CLAIM**

The ornamental design for a ceiling fan light glass, as shown and described.

DESCRIPTION

FIG. 1 is a bottom perspective view of a ceiling fan light glass in the environment of a ceiling fan, showing my new design;

FIG. 2 is a bottom perspective view of the ceiling fan light glass of FIG. 1;

FIG. 3 is a top perspective view of the ceiling fan light glass of FIG. 1;

FIG. 4 is a top view of the ceiling fan light glass of FIG. 1;

FIG. 5 is a bottom view of the ceiling fan light glass of FIG. 1;

FIG. 6 is a front view of the ceiling fan light glass of FIG. 1;

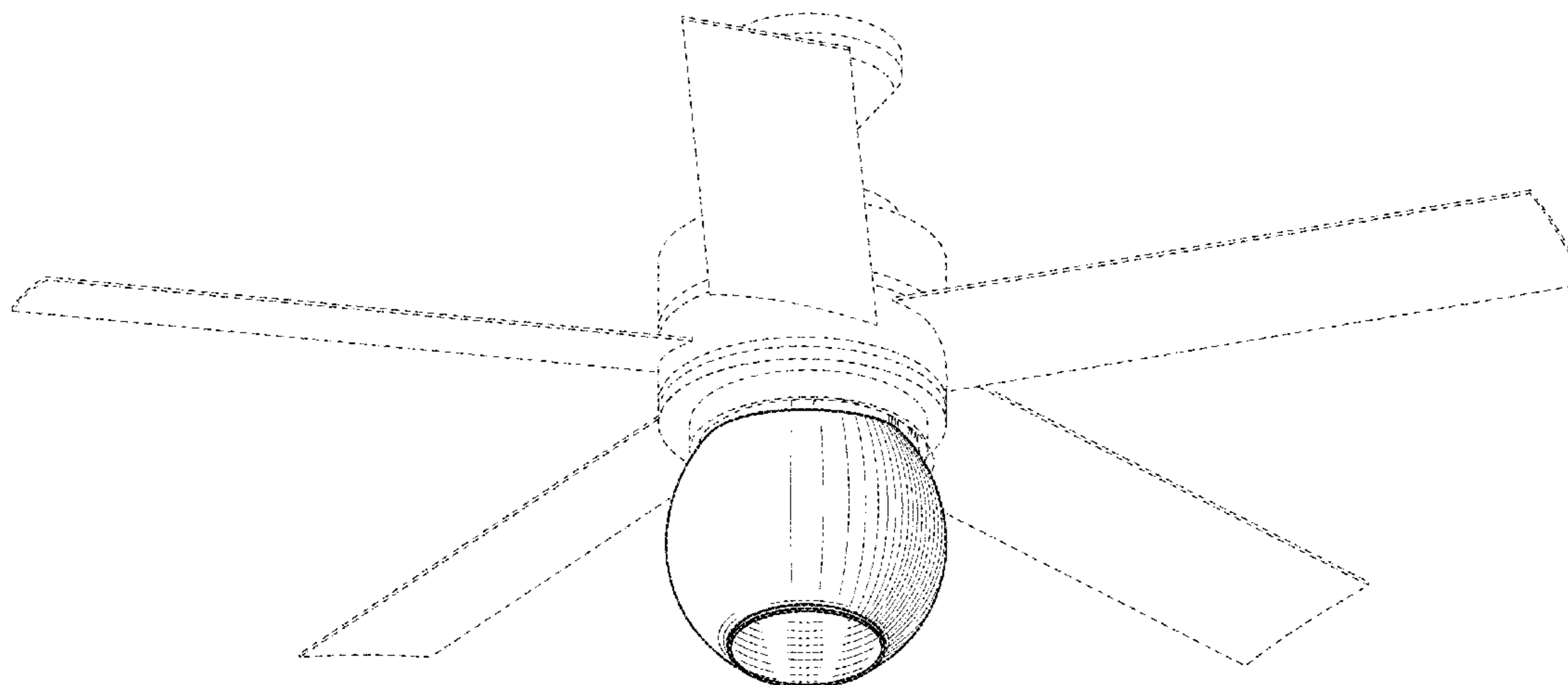
FIG. 7 is a rear view of the ceiling fan light glass of FIG. 1;

FIG. 8 is left side view of the ceiling fan light glass of FIG. 1; and,

FIG. 9 is a right side view of the ceiling fan light glass of FIG. 1.

The dash-dash lines are included for the purpose of illustrating portions of the ceiling fan light glass that form no part of the claimed design. The dot-dash-dot line represent the boundary of the claimed design.

1 Claim, 9 Drawing Sheets



(56)

References Cited

U.S. PATENT DOCUMENTS

D549,315	S	8/2007	Gajewski	
D549,814	S	8/2007	Gajewski	
D551,335	S	9/2007	Gajewski	
D556,940	S *	12/2007	Gajewski	D26/128
D566,321	S *	4/2008	Pickett	D26/128
D574,985	S *	8/2008	Bucher	D26/59
D579,143	S *	10/2008	De'Armond	D26/135
D583,493	S *	12/2008	Bucher	D26/59
D585,585	S *	1/2009	Hidalgo	D26/59
D596,780	S	7/2009	Thun	
D600,339	S *	9/2009	Searle	D23/377
D604,887	S *	11/2009	Sanoner	D26/105
D645,135	S *	9/2011	Orozco	D23/413
D684,297	S *	6/2013	Lin	D26/118
D684,300	S *	6/2013	Lin	D26/118
D722,259	S *	2/2015	Conner	D8/300
D766,064	S *	9/2016	Yuki	D8/310
D779,114	S *	2/2017	Stolte	F21V 29/004 D26/152
D782,103	S *	3/2017	Shields	D26/124
D794,866	S *	8/2017	Wu	D26/124
9,822,946	B2 *	11/2017	Yamamoto	F21V 17/14
D810,919	S *	2/2018	Haggar	D23/377
D834,696	S *	11/2018	Schulzman	D23/377
D838,029	S *	1/2019	Stolte	F21V 29/004 D26/89
2002/0136003	A1 *	9/2002	Quiogue	F21S 8/04 362/147
2003/0189834	A1 *	10/2003	Hsing	F21V 17/164 362/363
2008/0265736	A1 *	10/2008	Chen	F21K 9/00 313/46
2012/0320591	A1 *	12/2012	Liao	F21V 29/77 362/249.02
2013/0016508	A1 *	1/2013	Progl	F21V 3/02 362/235
2013/0208469	A1 *	8/2013	Progl	F21V 29/506 362/235
2014/0254174	A1 *	9/2014	Yamamoto	F21V 17/14 362/311.14
2015/0153026	A1 *	6/2015	Chen	F21V 19/004 362/249.02

OTHER PUBLICATIONS

<https://www.hunterfan.com/ceiling-fans/bennett-with-light-52-inch-fam858>, Hunter Fan Bennett 52 inch with Light in Matte Black, Model No. 54187, accessed Sep. 19, 2017.

<https://www.hunterfan.com/ceiling-fans/lindbeck-outdoor-with-light-52-inch-fam732>, Hunter Fan Lindbeck Outdoor 52 inch with Light in Brushed Slate, Model No. 59209, accessed Sep. 19, 2017.

<https://www.costco.com/Hunter-Exeter-54%22-LED-Ceiling-Fan.product.100352430.html>, Hunter Fan Exeter 54" LED Ceiling Fan, Item No. 1154381, accessed Sep. 19, 2017.

<http://www.kichler.com/products/product/52-arkwet-patio-ceiling-fan-wcp-339529wcp.aspx>, Kichler Arkwet Patio collection, 52" Arkwet Patio Ceiling Fan in Weathered Copper Powder Coat, Model No. 339529WCP, accessed Sep. 13, 2017.

<http://zhaorentouzi.com/spherical-oil-chandelier/bowl-shaped-of-body-glass-lamp-light-bulb-with-orange-light-ceiling-light-with-electric-lamp-glamour-and-elegant-design-by-globe-pendant-light-ceiling-light-with-black-colour-of-hanging-lamp-clear-gla/>, Spherical Oil Chandelier, Globe Pendant Light Ceiling Light With Black Colour Of Hanging Lamp Clear Glass Lamp Design, accessed Sep. 13, 2017.

<https://www.aliexpress.com/item/clear-glass-lampshade-swing-arm-Wall-lamp-brass-holder-loft-light-E27-4C110V-220V-beside-sconce/32820185606.html?spm=2114.search0305.4.19.WTrehp>, Clear Gglass Lampshade Swing Arm Wall Lamp brass holder loft light E27 AC110V/220V beside sconce antique LED wall lamp, accessed Sep. 19, 2017.

<https://www.lowes.com/pd/Quoizel-Soho-10-62-in-W-Brushed-Nickel-Clear-Glass-Semi-Flush-Mount-Light/1000009052>, Quoizel Soho 10.62-in W Brushed nickel Clear Glass Semi-Flush Mount Light, Model No. LWS3235H, accessed Sep. 19, 2017.

<http://www.quoruminternational.com/index.cfm/app/productDetail?product=3525-86>, Quorum Galveston Oiled Bronze Ceiling Fan with Weathered Oak Blades, Model No. 3525-86, accessed Sep. 13, 2017.

<http://www.quoruminternational.com/index.cfm/app/productDetail?product=1375-808>, Quorum Hudson Studio White Light Kit, Model No. 1375-808, accessed Sep. 13, 2017.

* cited by examiner

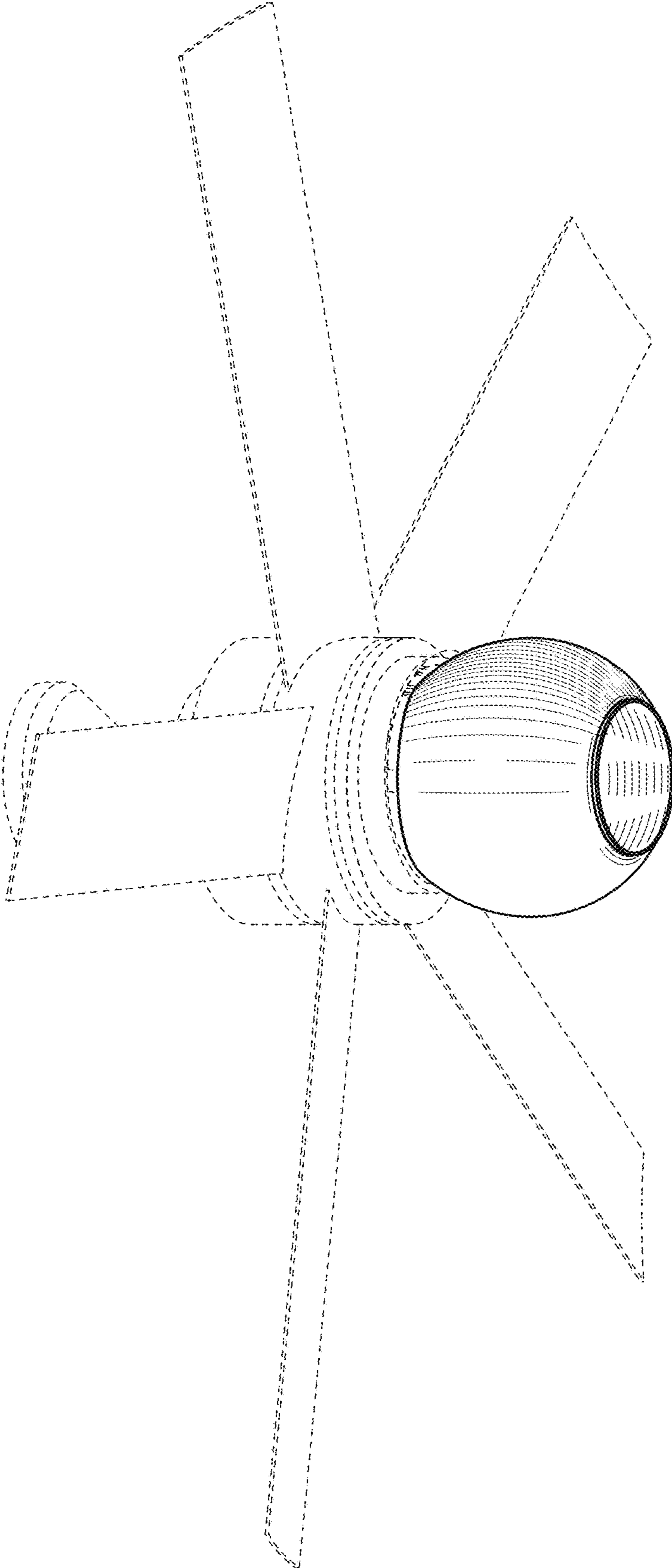


FIG. 1

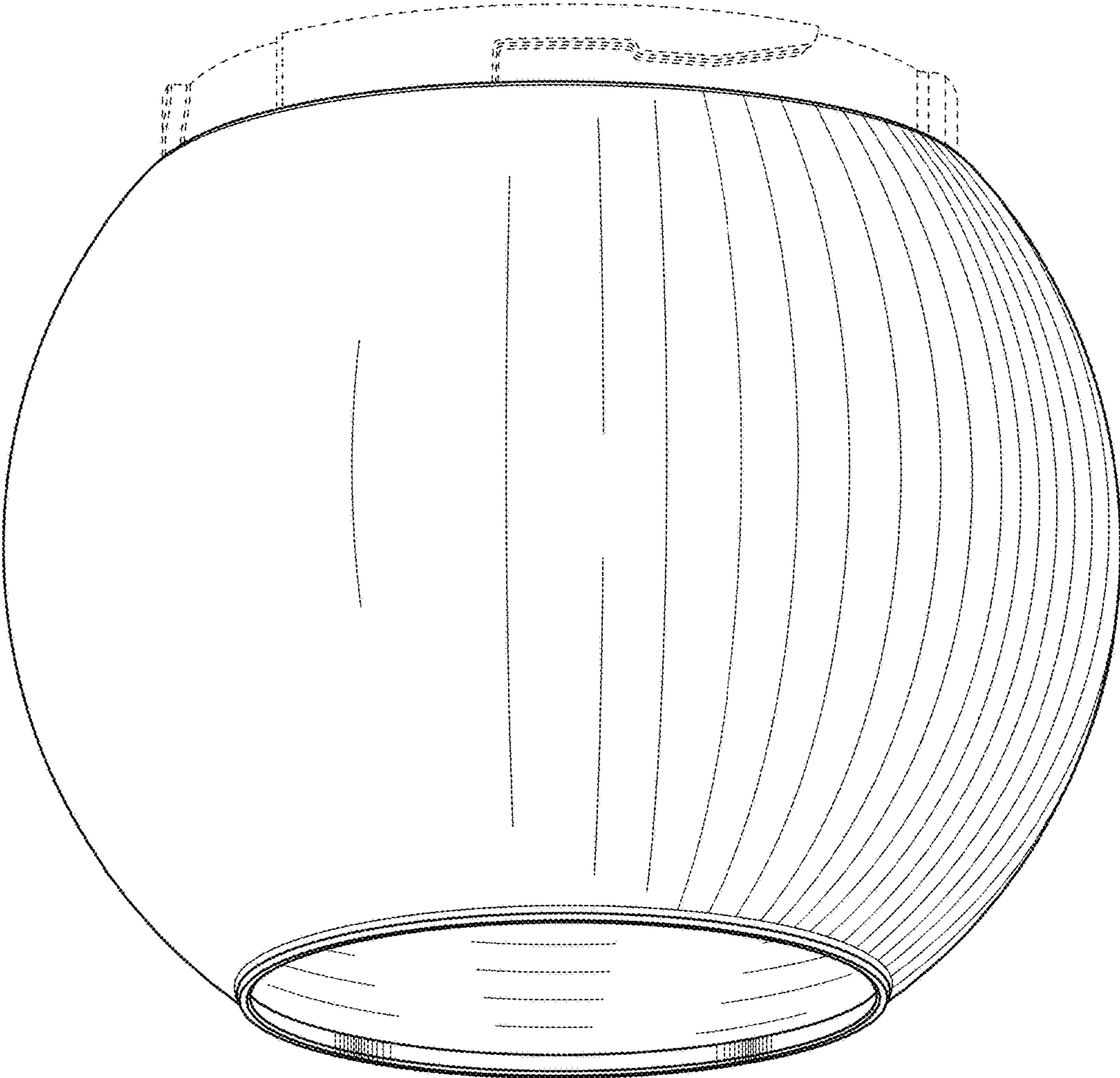


FIG. 2

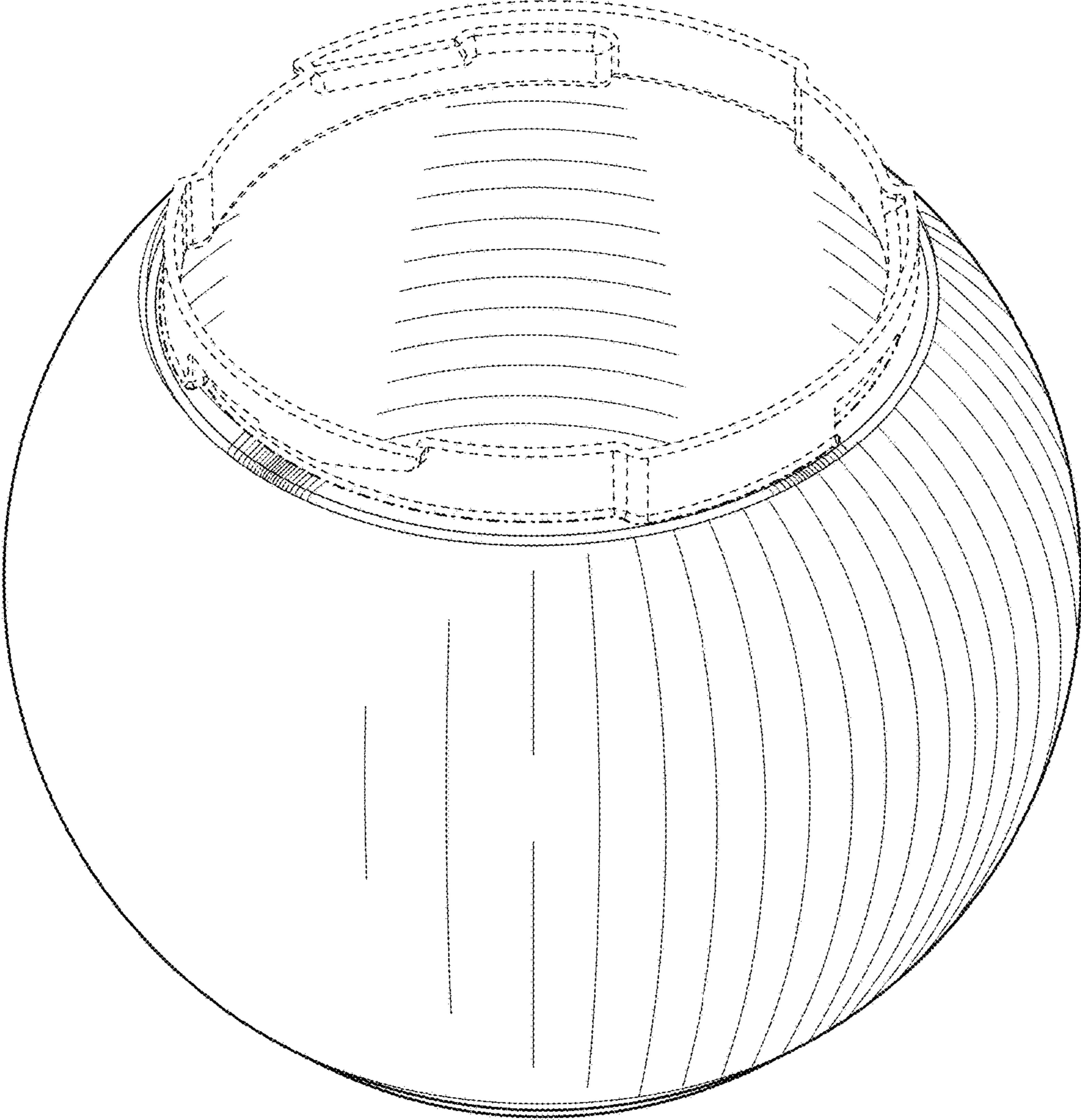


FIG. 3

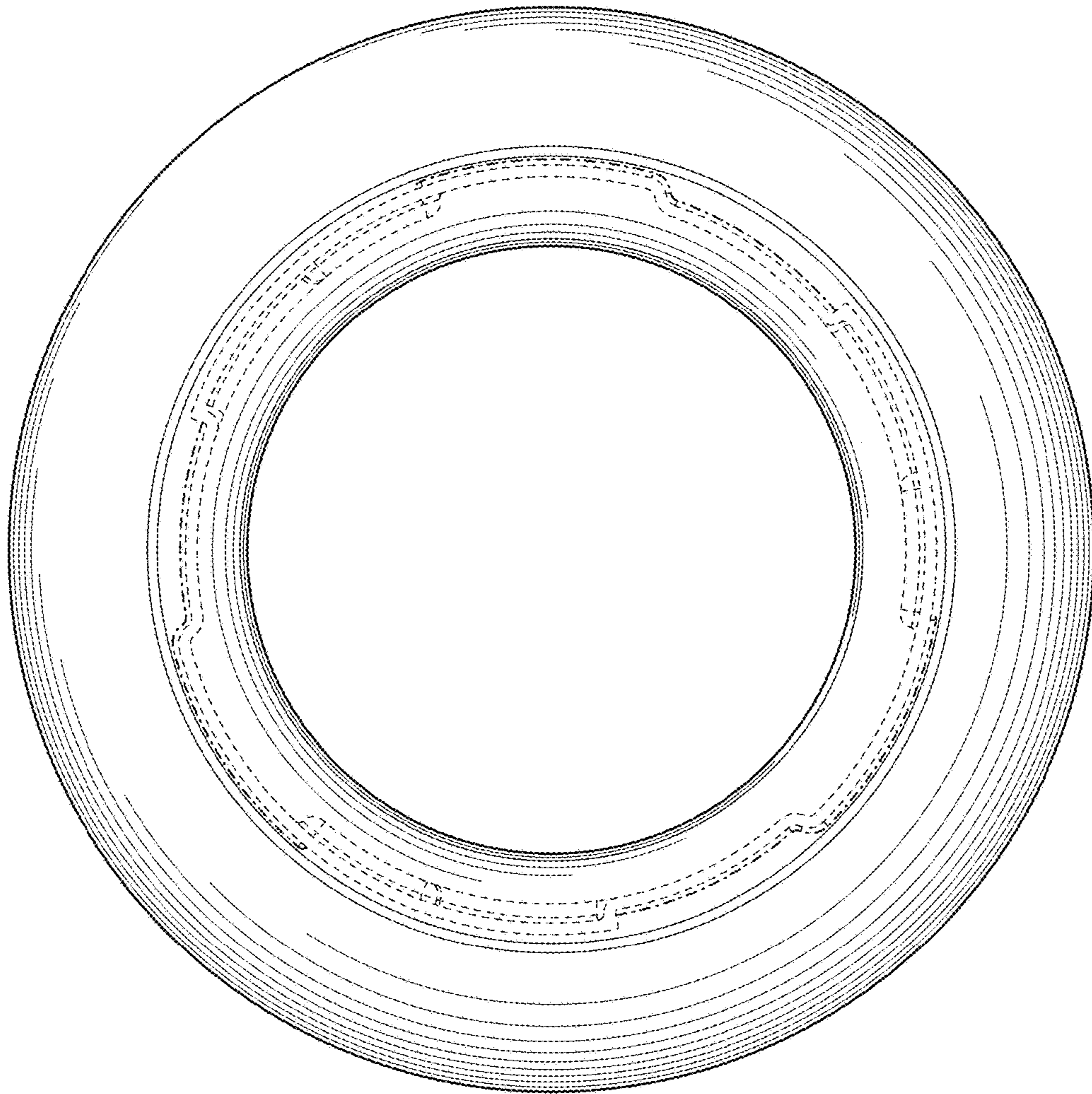


FIG. 4

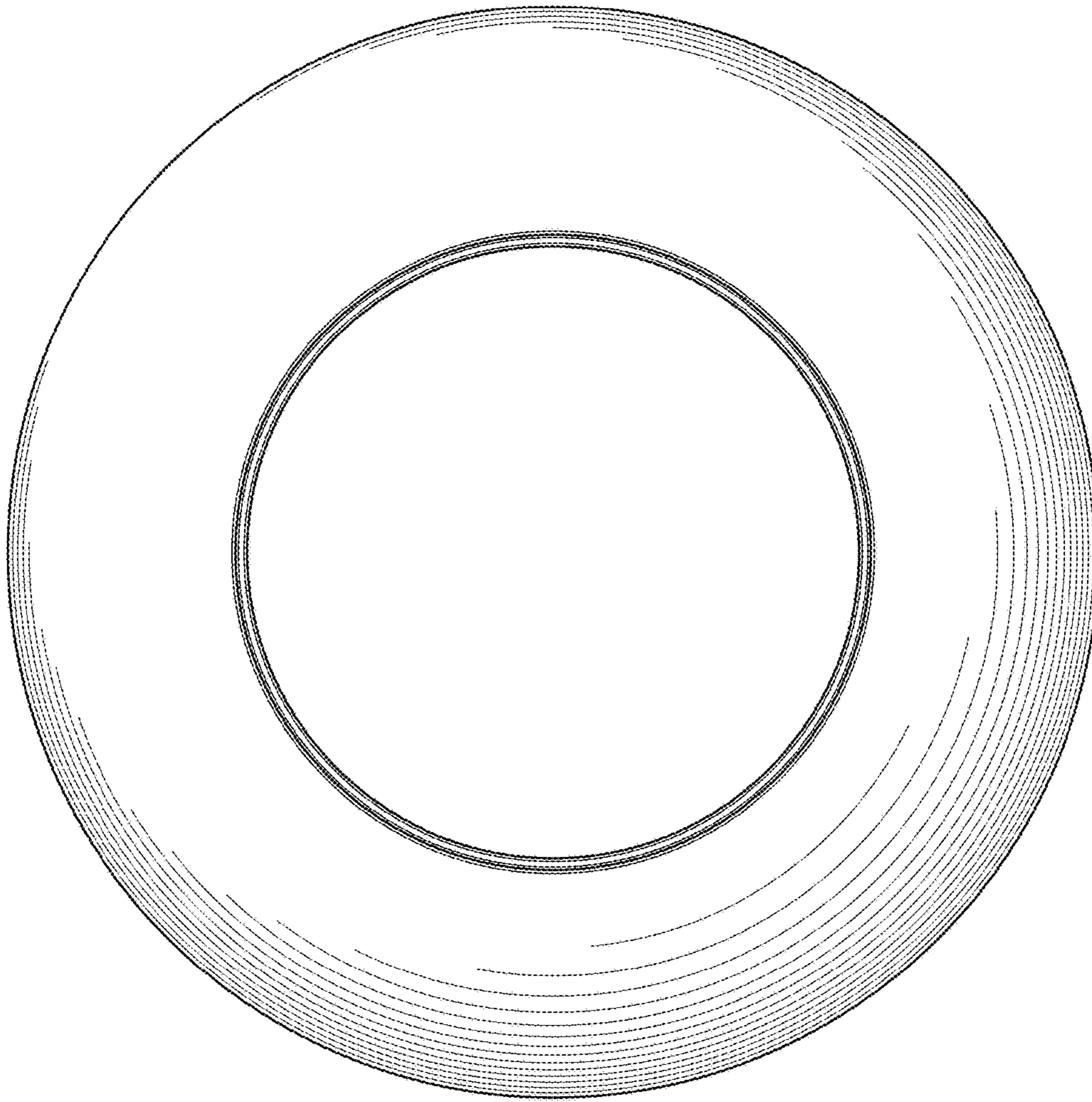


FIG. 5

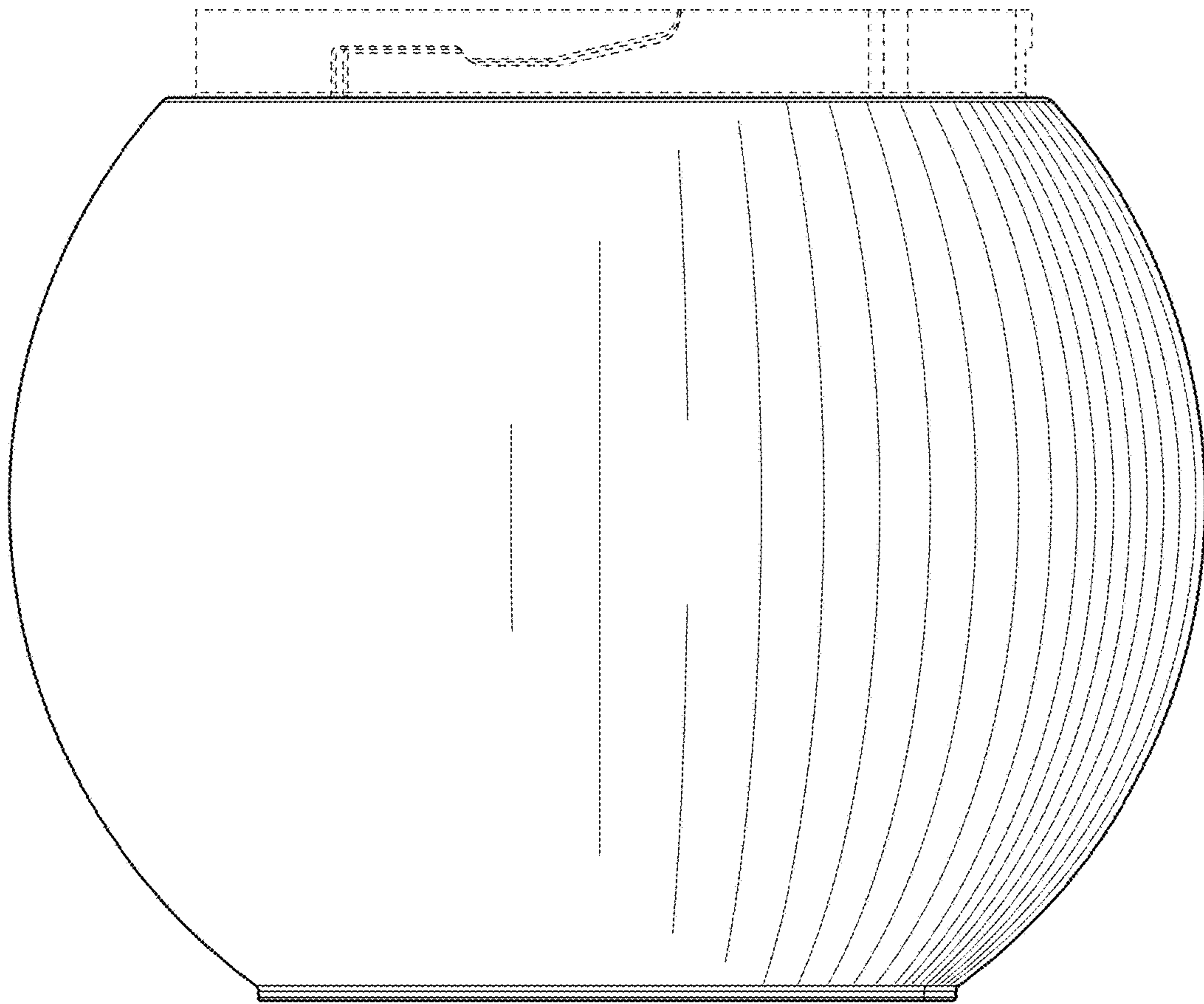


FIG. 6

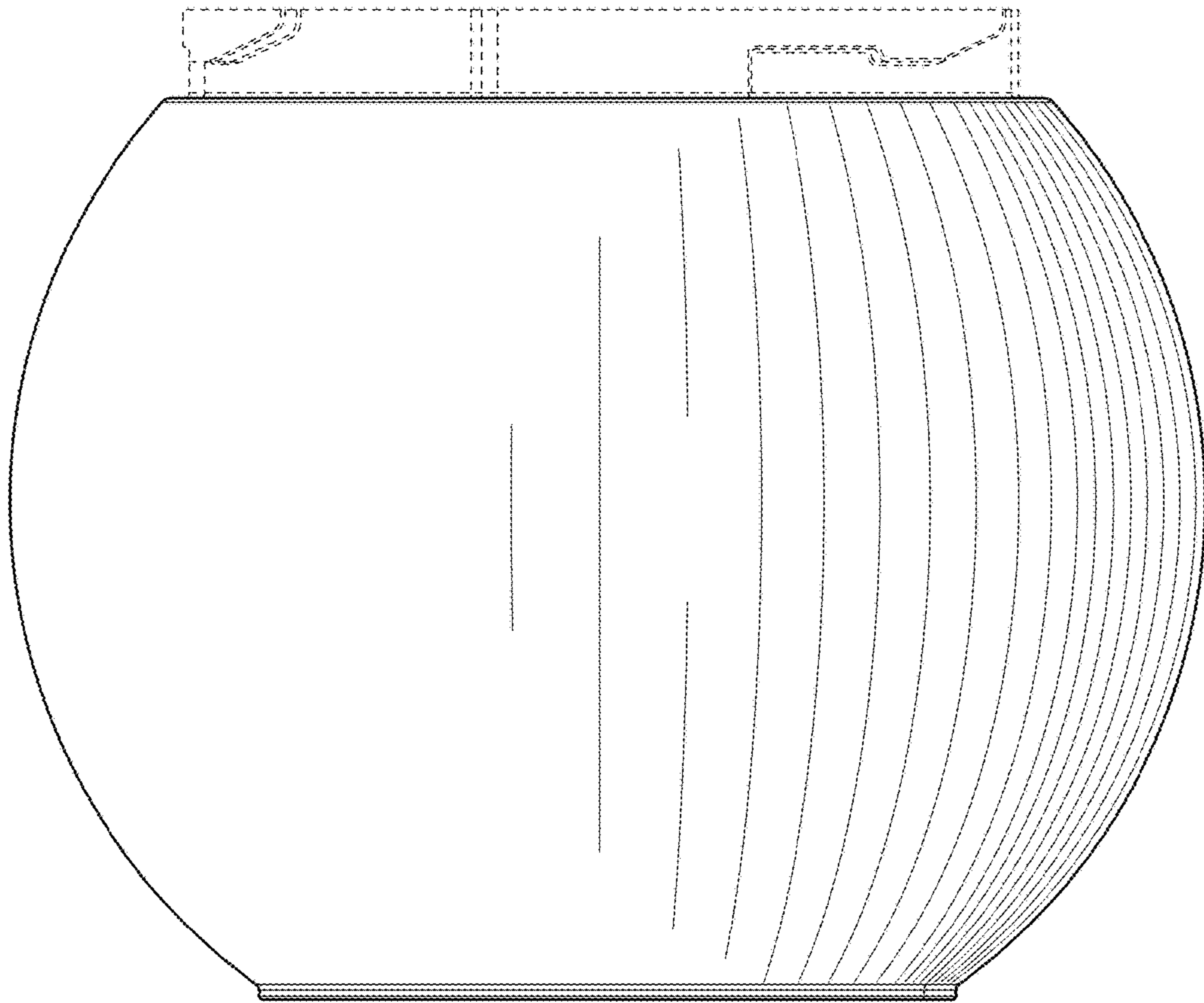


FIG. 7

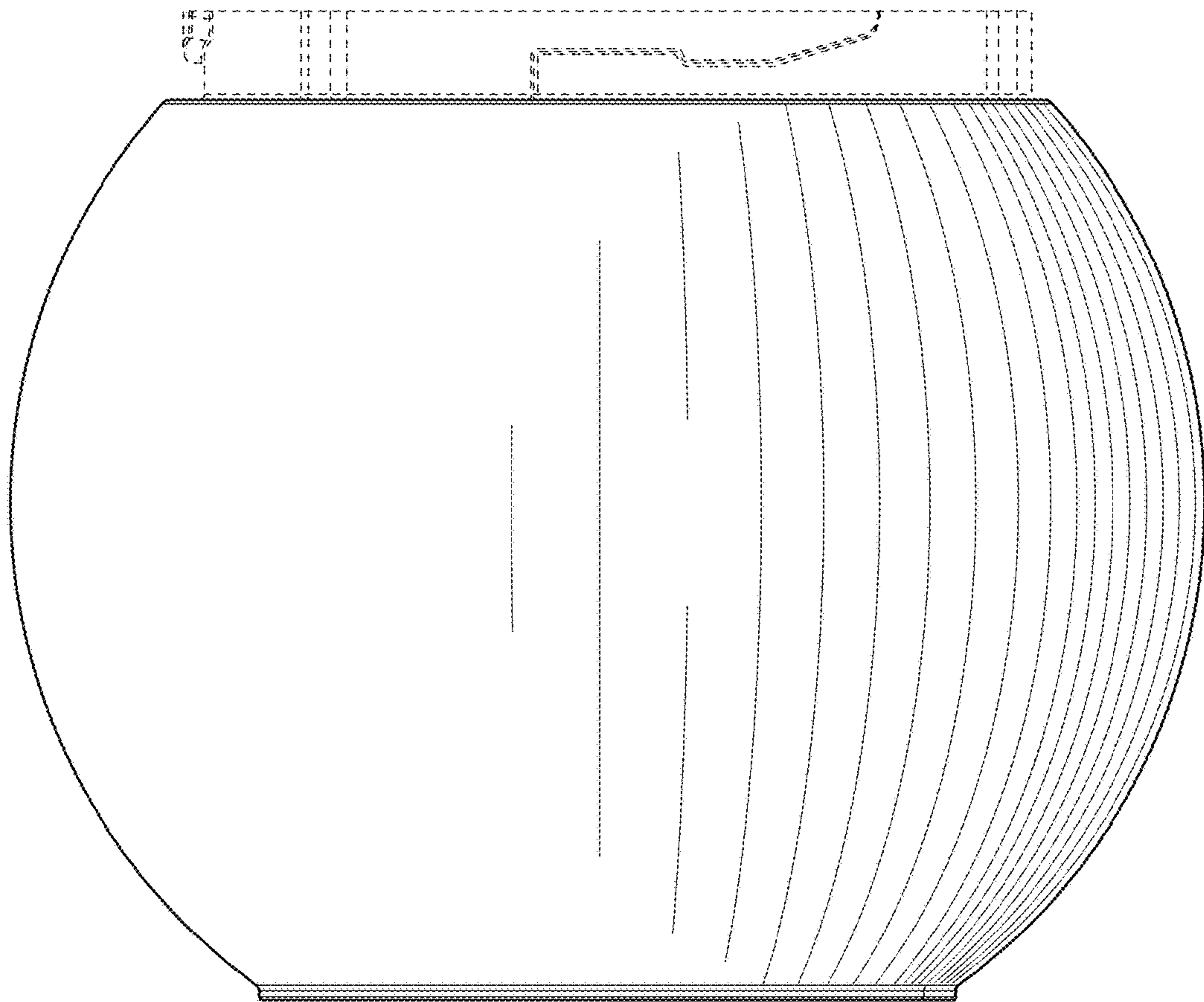


FIG. 8

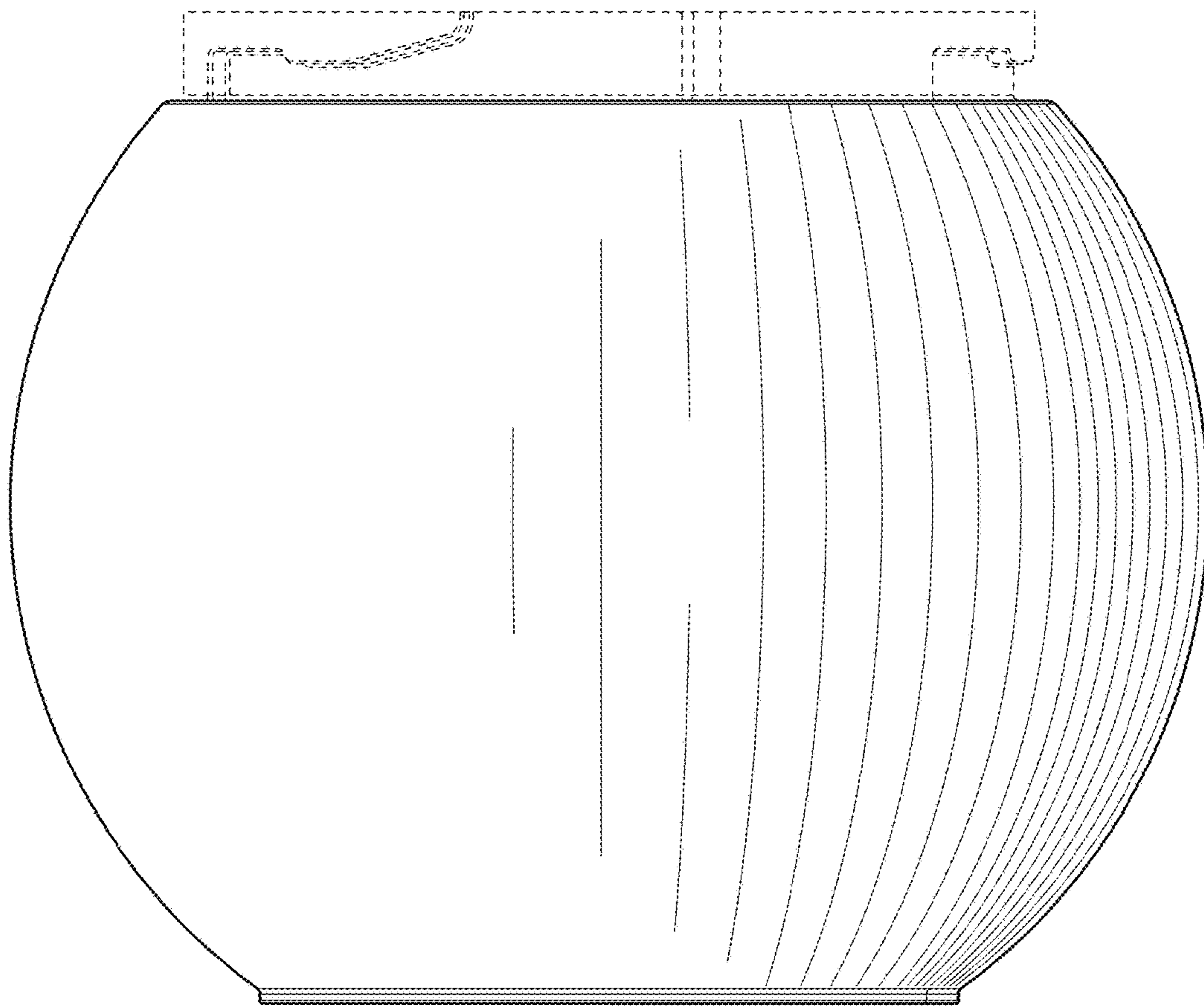


FIG. 9