



US00D856572S

(12) **United States Design Patent**
Haggar

(10) **Patent No.:** **US D856,572 S**

(45) **Date of Patent:** **** Aug. 13, 2019**

(54) **CEILING FAN LIGHT CAGE**

(71) Applicant: **HUNTER FAN COMPANY,**
Memphis, TN (US)

(72) Inventor: **Alexander Jonathan Haggar,**
Memphis, TN (US)

(73) Assignee: **Hunter Fan Company,** Memphis, TN
(US)

(**) Term: **15 Years**

(21) Appl. No.: **29/641,197**

(22) Filed: **Mar. 20, 2018**

(51) **LOC (12) Cl.** **26-05**

(52) **U.S. Cl.**
USPC **D26/119**

(58) **Field of Classification Search**
USPC D26/24, 59, 105, 113, 118, 119, 120,
D26/123, 124, 128, 137, 138; D30/101,
D30/102, 104; D8/300, 301, 310;
362/185, 186, 235, 317, 351; D23/377,
D23/385, 411
CPC F21V 15/01; F21V 15/02; F21V 15/012;
F21V 3/00; F21V 3/02; F21V 3/049;
F21V 3/061; F21V 29/20; F21V 29/506;
F21V 29/507

See application file for complete search history.

(56) **References Cited**

U.S. PATENT DOCUMENTS

1,369,929 A * 3/1921 Lumley F21V 15/02
362/376
2,739,222 A * 3/1956 Gard B64F 1/20
362/410
3,838,269 A * 9/1974 Bogdanovs F21V 15/02
362/362
D392,769 S * 3/1998 Dolan D26/134

D428,982 S 8/2000 Oldenburg
D465,277 S 11/2002 Sonneman
D510,622 S * 10/2005 Tai D23/411
D516,200 S * 2/2006 Pickett D23/411

(Continued)

OTHER PUBLICATIONS

<https://www.craftmade.com/exterior-lighting/fairmont>, Craftmade
Fairmount Light Pendant, Model No. Z5821-88, accessed Sep. 21,
2017.

(Continued)

Primary Examiner — Wan Laymon

Assistant Examiner — Clint A Samuel

(74) *Attorney, Agent, or Firm* — McGarry Bair PC

(57) **CLAIM**

The ornamental design for a ceiling fan light cage, as shown
and described.

DESCRIPTION

FIG. 1 is a bottom perspective view of a ceiling fan light cage
in the environment of a ceiling fan, showing my new
design;

FIG. 2 is a top perspective view of the ceiling fan light cage
of FIG. 1;

FIG. 3 is a top view of the ceiling fan light cage of FIG. 1;

FIG. 4 is a bottom view of the ceiling fan light cage of FIG.
1;

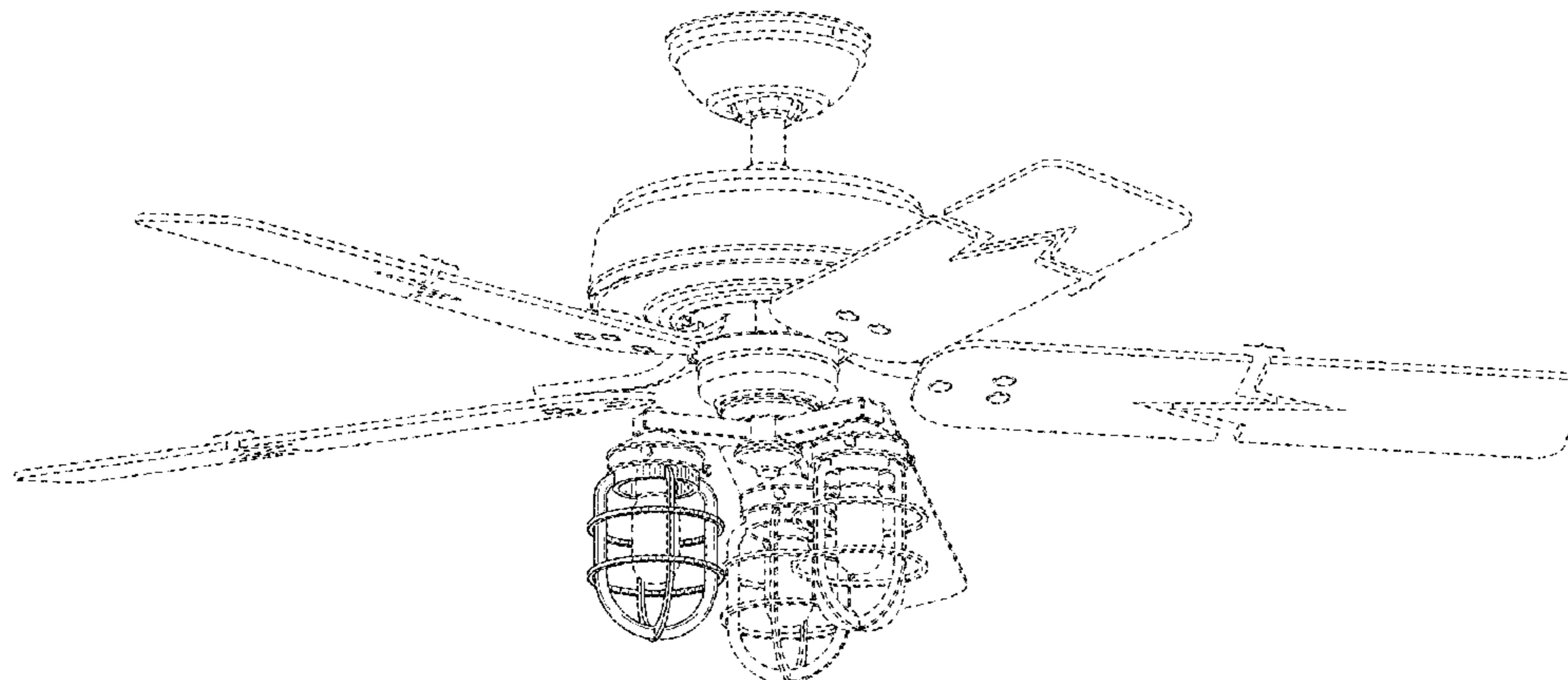
FIG. 5 is a right side view of the ceiling fan light cage of
FIG. 1;

FIG. 6 is a left side view of the ceiling fan light cage of FIG.
1;

FIG. 7 is a front view of the ceiling fan light cage of FIG.
1; and,

FIG. 8 is a rear view of the ceiling fan light cage of FIG. 1.
Portions of the ceiling fan light cage and ceiling fan envi-
ronment shown in broken lines form no part of the claimed
design.

1 Claim, 8 Drawing Sheets



(56)

References Cited

U.S. PATENT DOCUMENTS

D517,197 S * 3/2006 Pickett D23/411
 7,011,425 B2 * 3/2006 Morris A61L 9/03
 362/161
 7,036,949 B2 * 5/2006 Srass F04D 25/088
 362/234
 D585,585 S * 1/2009 Hidalgo D26/59
 7,988,327 B1 * 8/2011 Knoble F21S 8/036
 362/235
 D653,795 S * 2/2012 Guercio D26/119
 D673,319 S * 12/2012 Guercio D26/87
 8,348,476 B2 * 1/2013 Fletcher F21V 15/01
 362/249.02
 D699,339 S 2/2014 Wang
 D732,157 S * 6/2015 Lin D23/377
 D808,002 S * 1/2018 Holmes D23/377
 D821,017 S * 6/2018 Brannon D26/87
 D834,172 S * 11/2018 Guthrie D23/411
 D834,698 S * 11/2018 Hidalgo D23/377
 D840,017 S * 2/2019 Holmes D23/411
 2014/0340903 A1 * 11/2014 Mahr F21V 23/001
 362/249.08
 2017/0292693 A1 * 10/2017 Ohai F21V 15/02

OTHER PUBLICATIONS

<http://www.homedepot.com/p/Sawyer-48-in-Brushed-Nickel-Ceiling-Fan-with-5-Reversible-Blades-and-Clear-Glass-CF48SAW5BN/205113867>, Sawyer 48 in. Brushed Nickel Ceiling Fan with 5-Reversible Blades and Clear Glass, Model No. CF48SAW5BN, accessed Sep. 21, 2017.
<http://www.kichler.com/products/product/3-light-industrial-fan-kit-dbk-dbk-370041dbk.aspx>, Kichler 3 Light Industrial Fan Kit in Distressed Black, Model No. 370041DBK, accessed Sep. 21, 2017.

<http://ceilingfans.emerson.com/en/shop/fan/fans-s-fan-lighting/boardwalk-cage-light-kit-fan-p-lk40>, Emerson Boardwalk Cage Ceiling Fan Light Fixture in Oil Rubbed Bronze, Model No. P-LK40, accessed Sep. 21, 2017.
<http://www.minkagroup.net/sites/default/files/styles/highres/public/products/minka-image-import/2250-647-1377124667.jpg?itok=KXTut642>, Minka 1 Light Pendant in Copper Patina Bronze Finish with Metal Shade, Model No. 2250-647, accessed Sep. 21, 2017.
<http://www.hunterfan.com/ceiling-fans/ronan>, Hunter Fan, Ronan 52" Ceiling Fan, Model No. 59239 in Matte Black Finish, accessed Sep. 21, 2017.
<http://www.hunterfan.com/Ceiling-Fans/Crown-Canyon?ModelNumber=53331>, Hunter Fan , Crown Canyon 52" Ceiling Fan, Model No. 53331 in Regal Bronze Finish, accessed Sep. 21, 2017.
<http://ceilingfans.emerson.com/en/shop/fan/fan-s-all/fans-s-browse-all/maui-bay-fan-p-cf2000>, Emerson Baui Bay 52" Ceiling Fan, Model No. CF2000ORB in Oil-Rubbed Bronze, accessed Mar. 20, 2018.
<http://www.homedepot.com/p/Hampton-Bay-Metro-54-in-Rustic-Copper-Indoor-Outdoor-Ceiling-Fan-34342/202075572>, Hampton Bay Metro 54" Rustic Copper Indoor/Outdoor Ceiling Fan, Model No. 34342, accessed Sep. 21, 2017.
<http://www.minkagroup.net/all-collections?keys=Alva>, Minka Alva 56" 5-Blades Ceiling Fan with LED Light in Brushed Nickel Finish with Seashore Grey Blades, Model No. F852L-BN, accessed Sep. 21, 2017.
<http://minka.com/all-collections?keys=rainman>, Minka Rainman 52" 5 Blades in Oil Rubbed Bronze Finish with Taupe Blades Integrated Light with Vintage Amber Glass, Model No. 582-ORB, accessed Sep. 21, 2017.

* cited by examiner

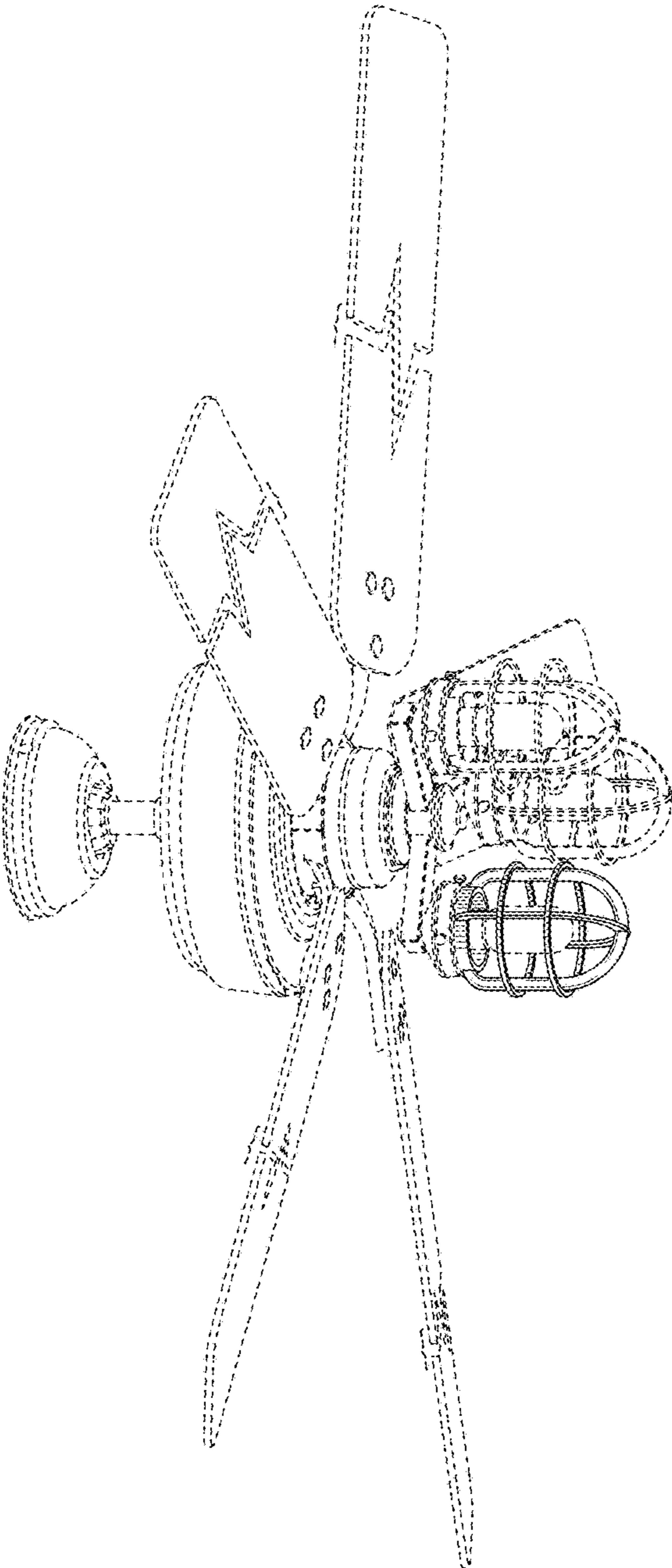


FIG. 1

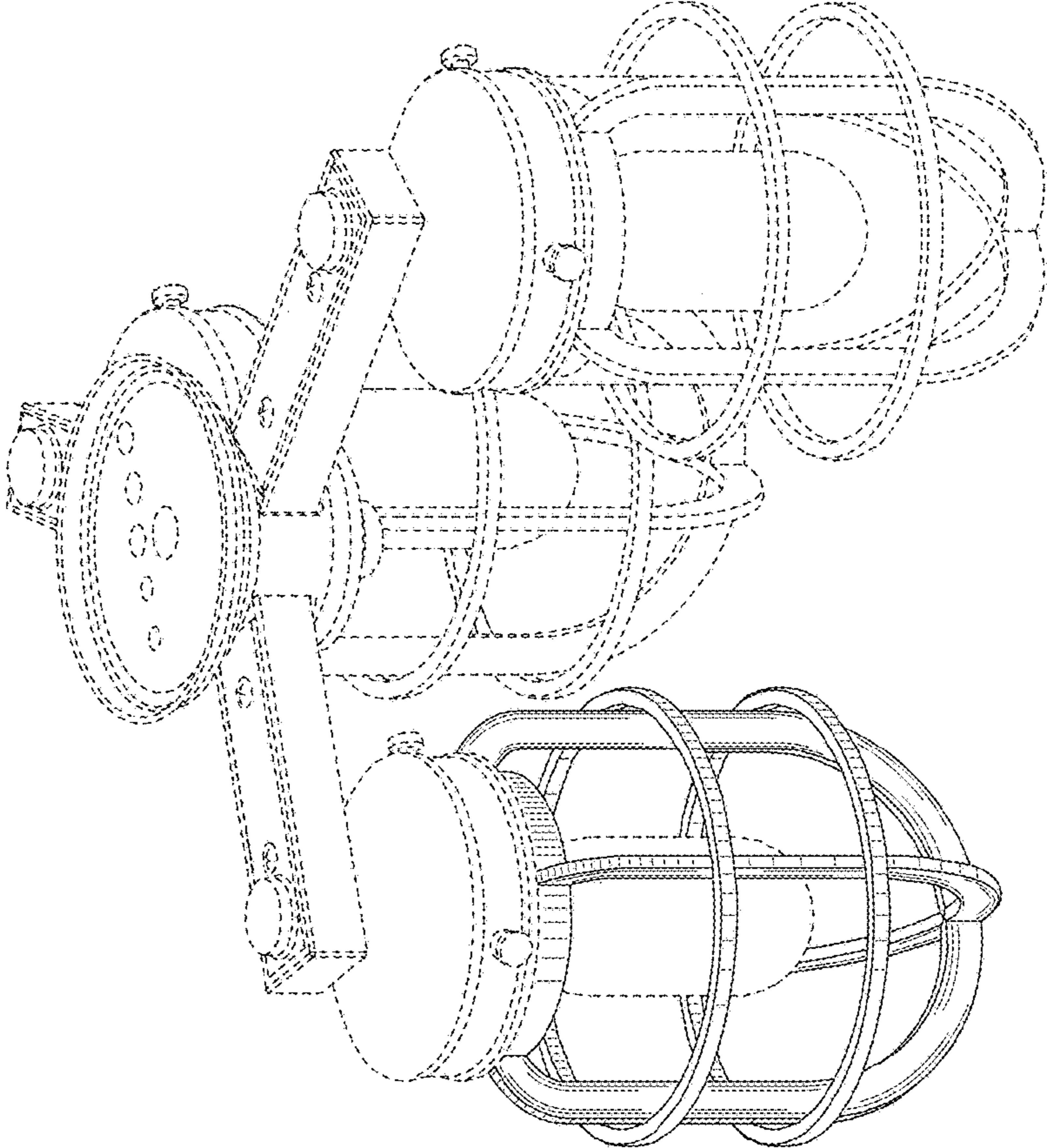


FIG. 2

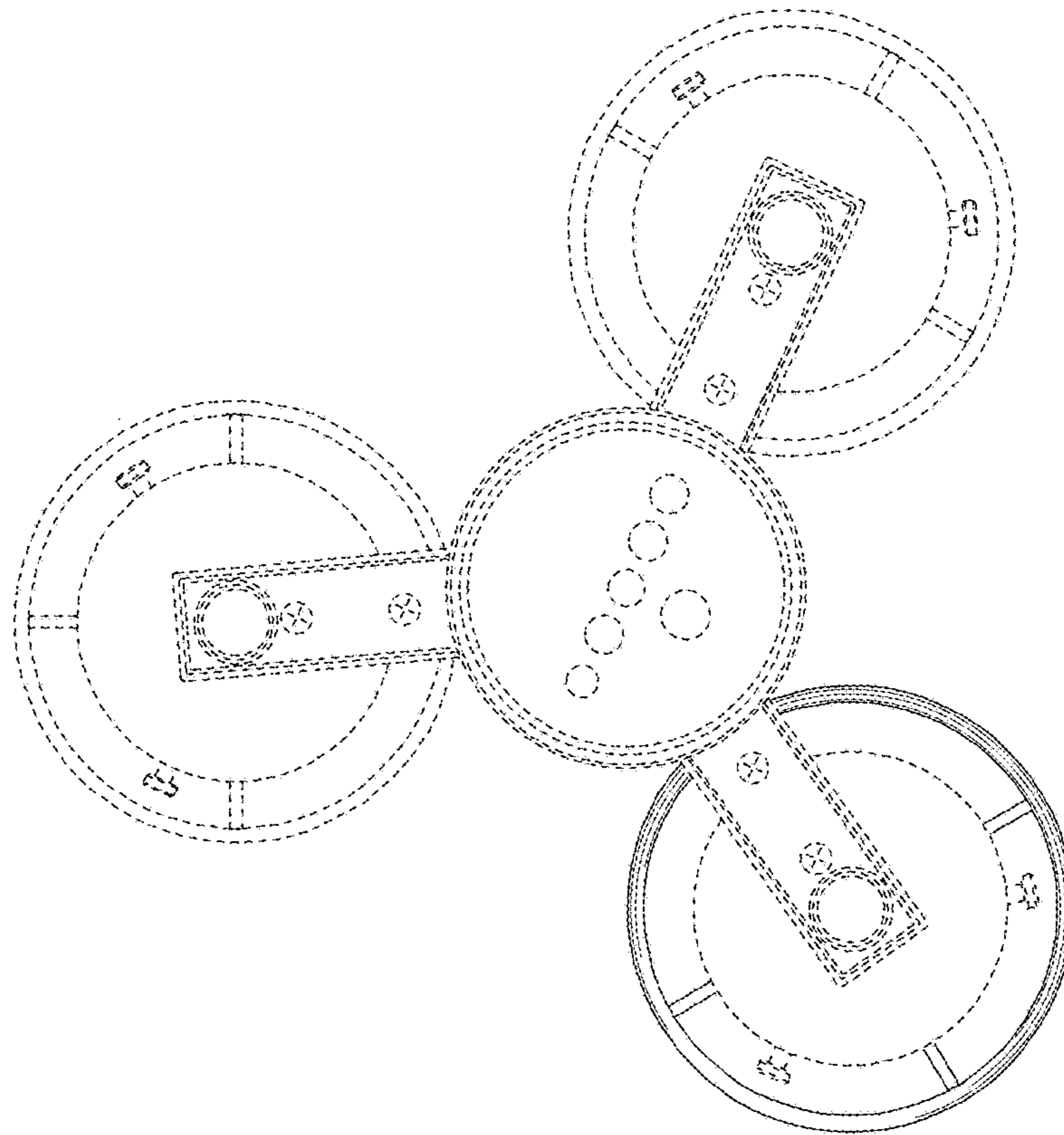


FIG. 3

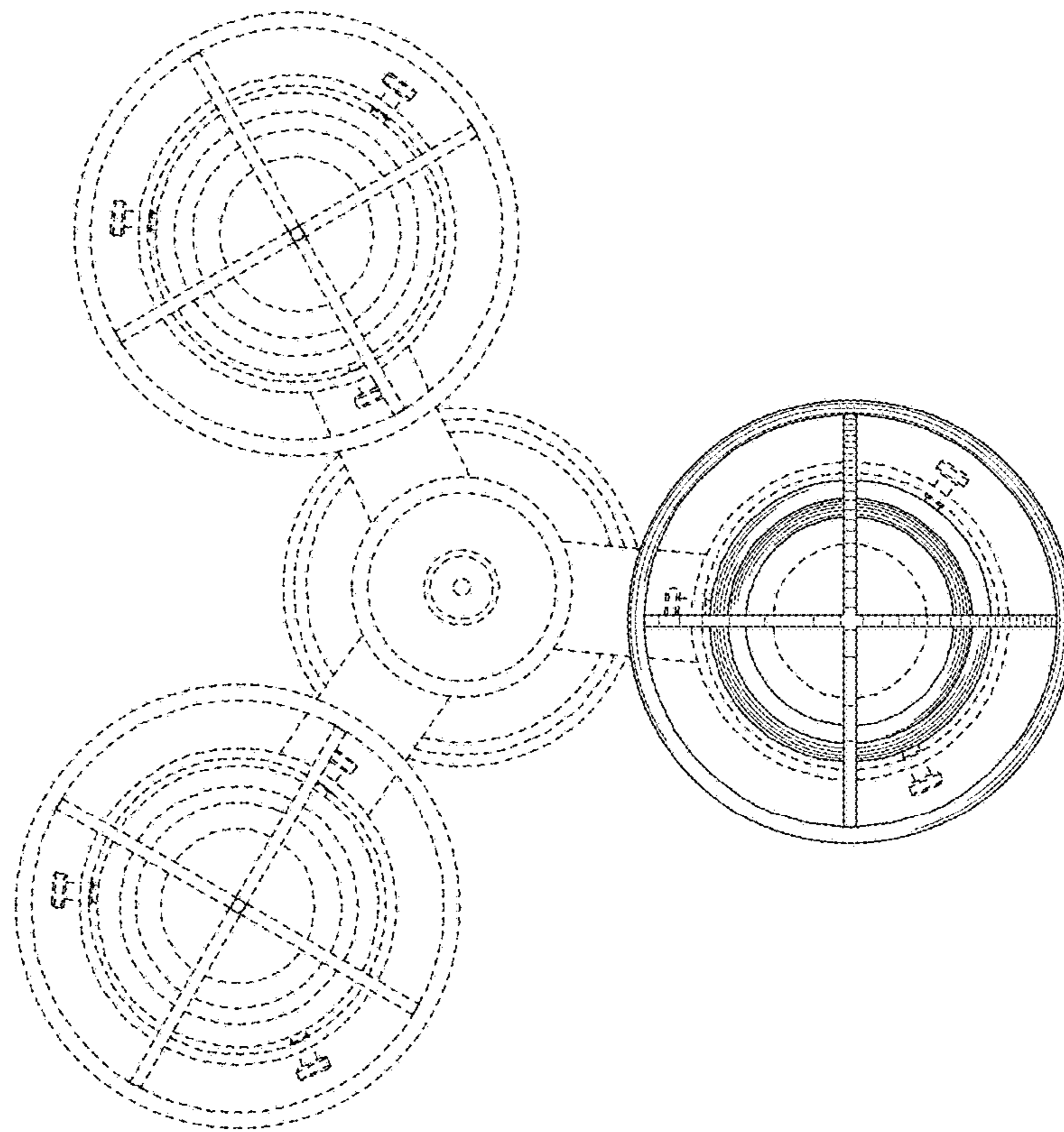


FIG. 4

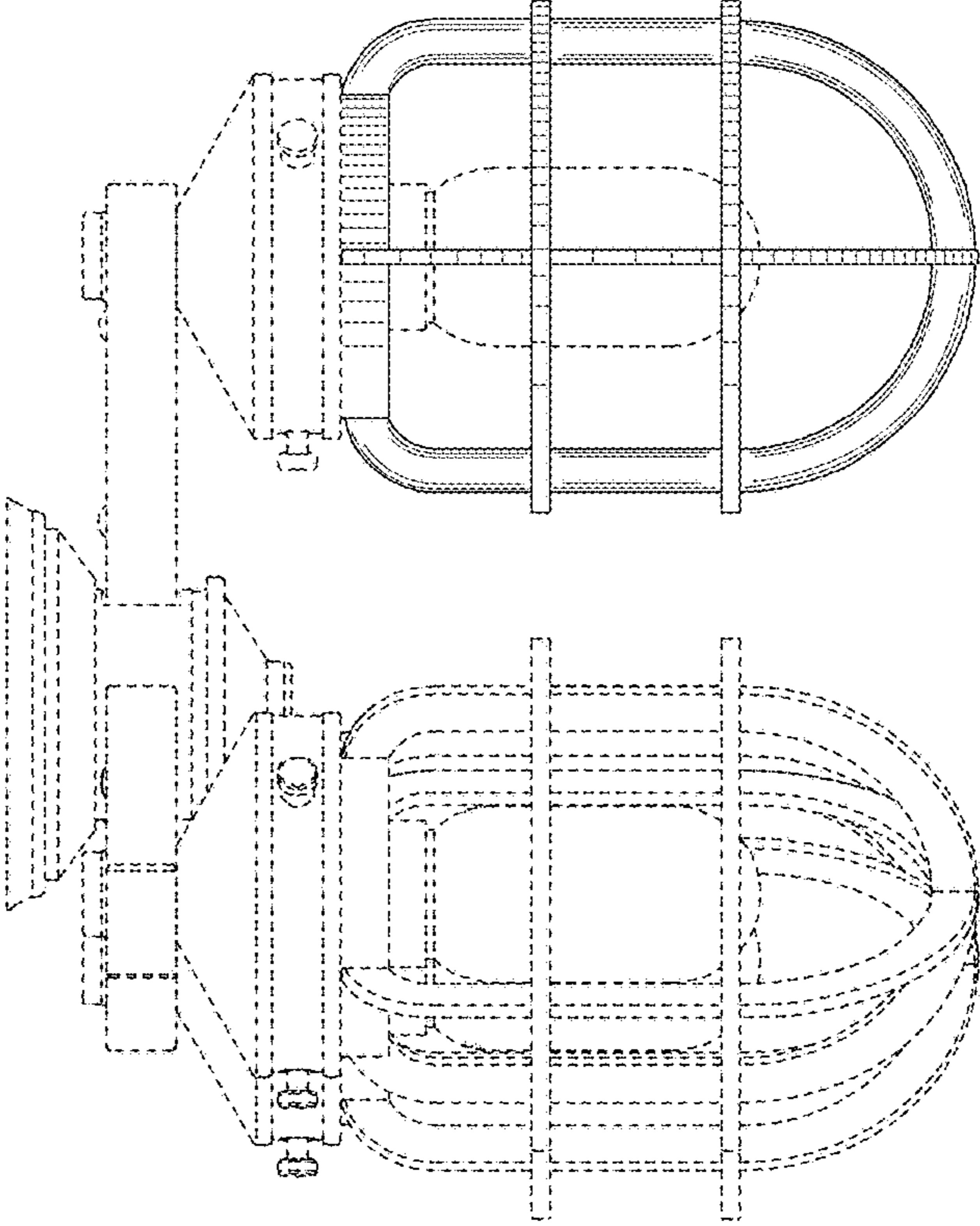


FIG. 5

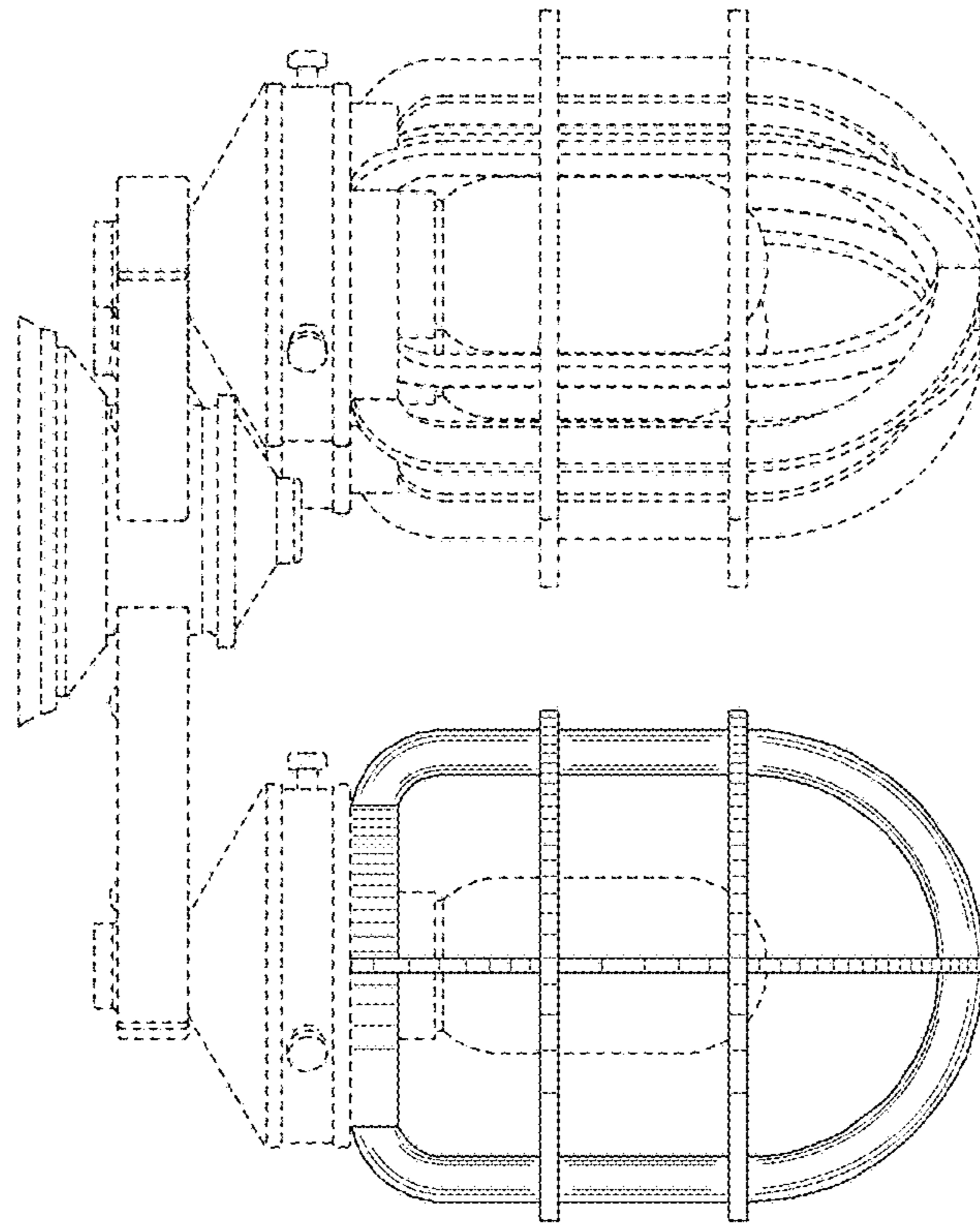


FIG. 6

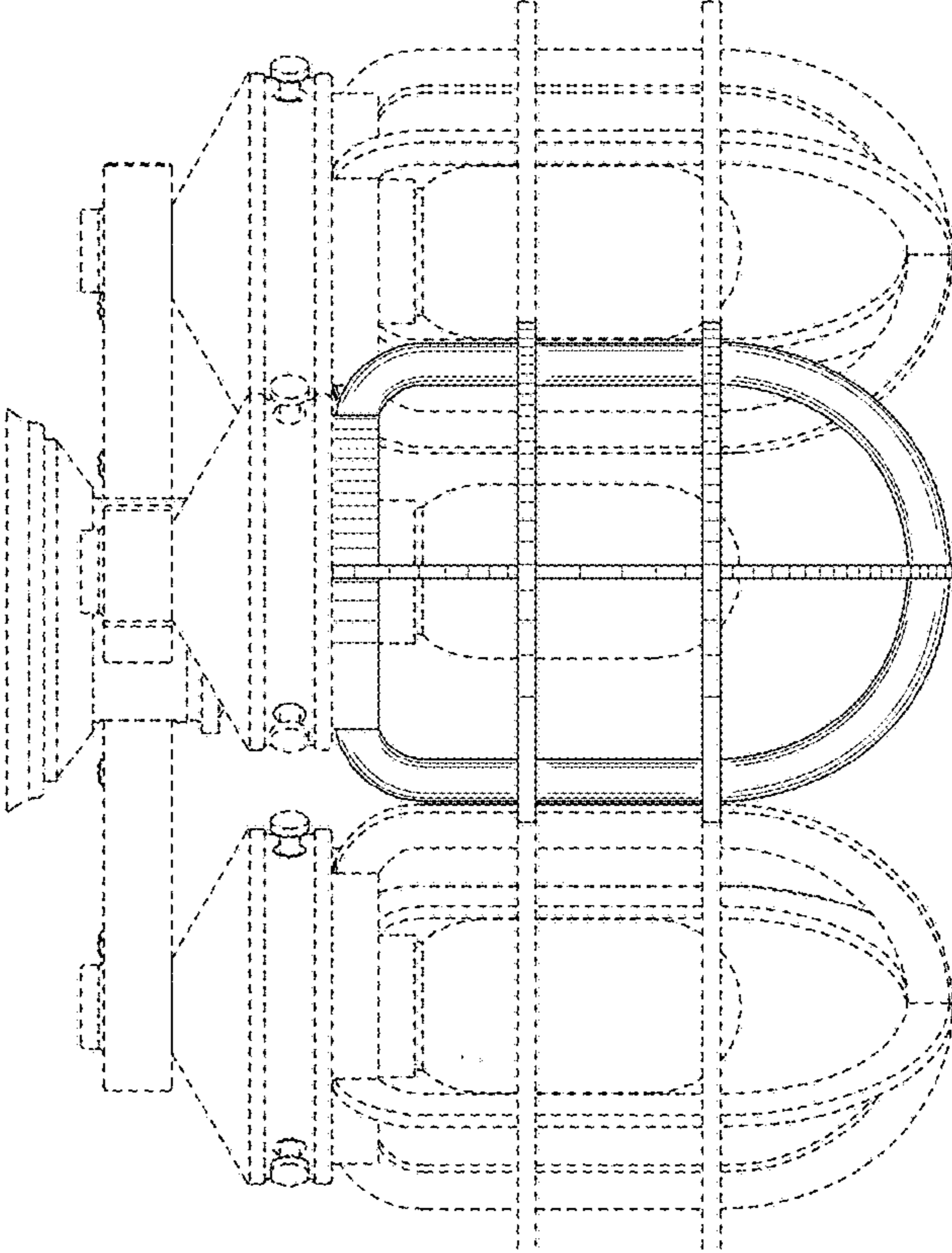


FIG. 7

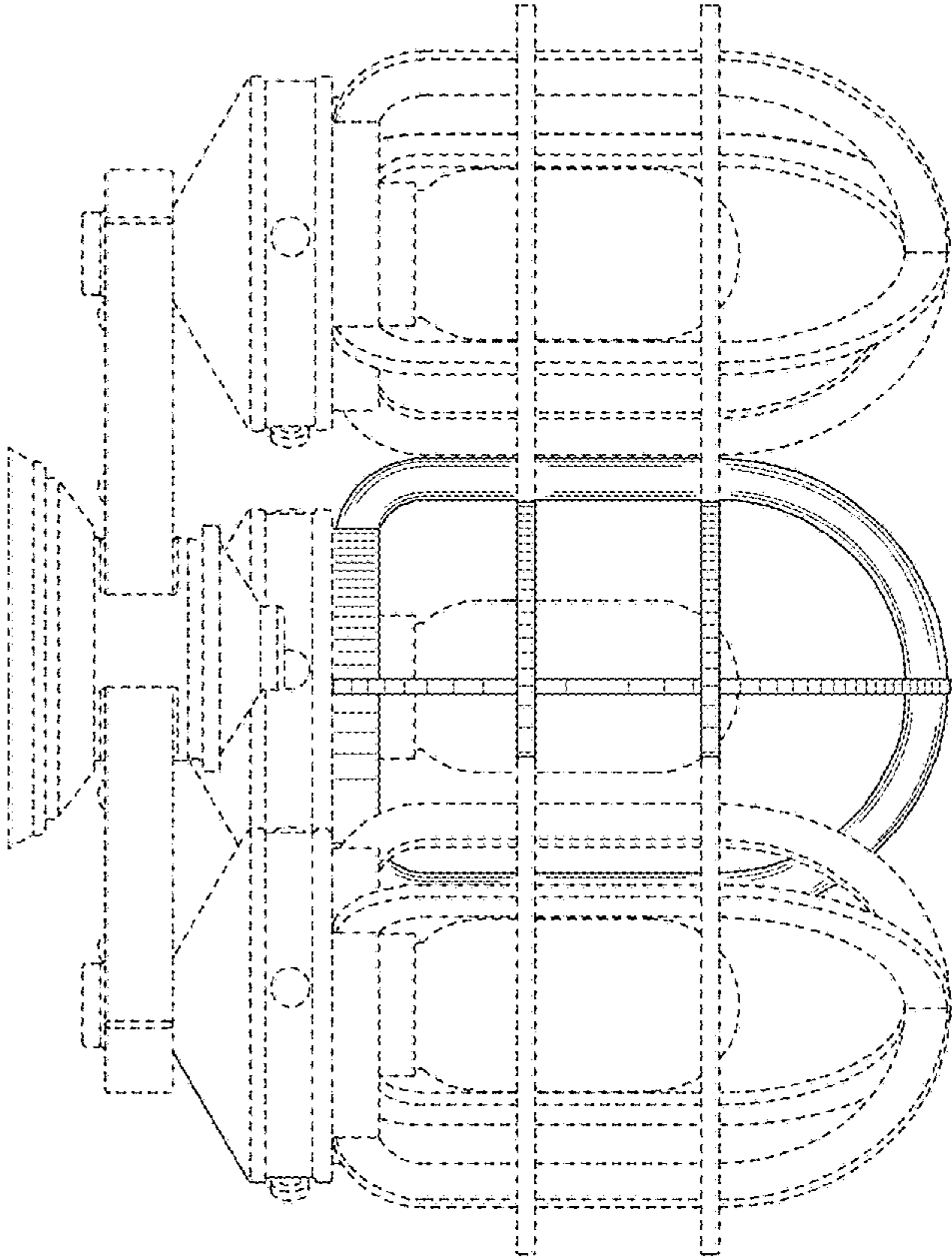


FIG. 8