



US00D856571S

(12) **United States Design Patent**
Chami

(10) **Patent No.:** **US D856,571 S**

(45) **Date of Patent:** **** Aug. 13, 2019**

(54) **HIGH BAY LIGHT FIXTURE**

(71) Applicant: **MaxLite, Inc.**, West Caldwell, NJ (US)

(72) Inventor: **Aymen Chami**, Hackettstown, NJ (US)

(73) Assignee: **MAXLITE, Inc.**, West Caldwell, NJ (US)

(**) Term: **15 Years**

(21) Appl. No.: **29/609,633**

(22) Filed: **Jul. 3, 2017**

(51) **LOC (12) Cl.** **26-99**

(52) **U.S. Cl.**
USPC **D26/118**

(58) **Field of Classification Search**

USPC D26/113, 118, 119, 120, 121, 122, 145,
D26/142, 143, 128, 134, 72, 88, 89, 85, 2
CPC F21S 8/00; F21S 8/03; F21S 8/04; F21S
8/06; F21S 8/043; F21S 8/026; F21S
8/063; F21S 8/02

See application file for complete search history.

(56) **References Cited**

U.S. PATENT DOCUMENTS

D301,758 S * 6/1989 Sapper D26/85
D439,008 S * 3/2001 Kim D26/118

D540,972 S * 4/2007 Tortel D26/118
D688,405 S * 8/2013 Kim D26/88
D748,848 S * 2/2016 Laukkanen D26/118
D783,883 S * 4/2017 Cortez D26/89
D792,988 S * 7/2017 Zhou D26/2
D810,353 S * 2/2018 Sempe D26/118

* cited by examiner

Primary Examiner — Brian N. Vinson

(74) *Attorney, Agent, or Firm* — Budzyn IP Law, LLC

(57) **CLAIM**

The ornamental design for a high bay light fixture, as shown and described.

DESCRIPTION

FIG. 1 is a front, downward perspective view of a high bay light fixture;

FIG. 2 is a front, upward perspective view thereof;

FIG. 3 is a front elevational view thereof, the rear elevational view being identical thereto;

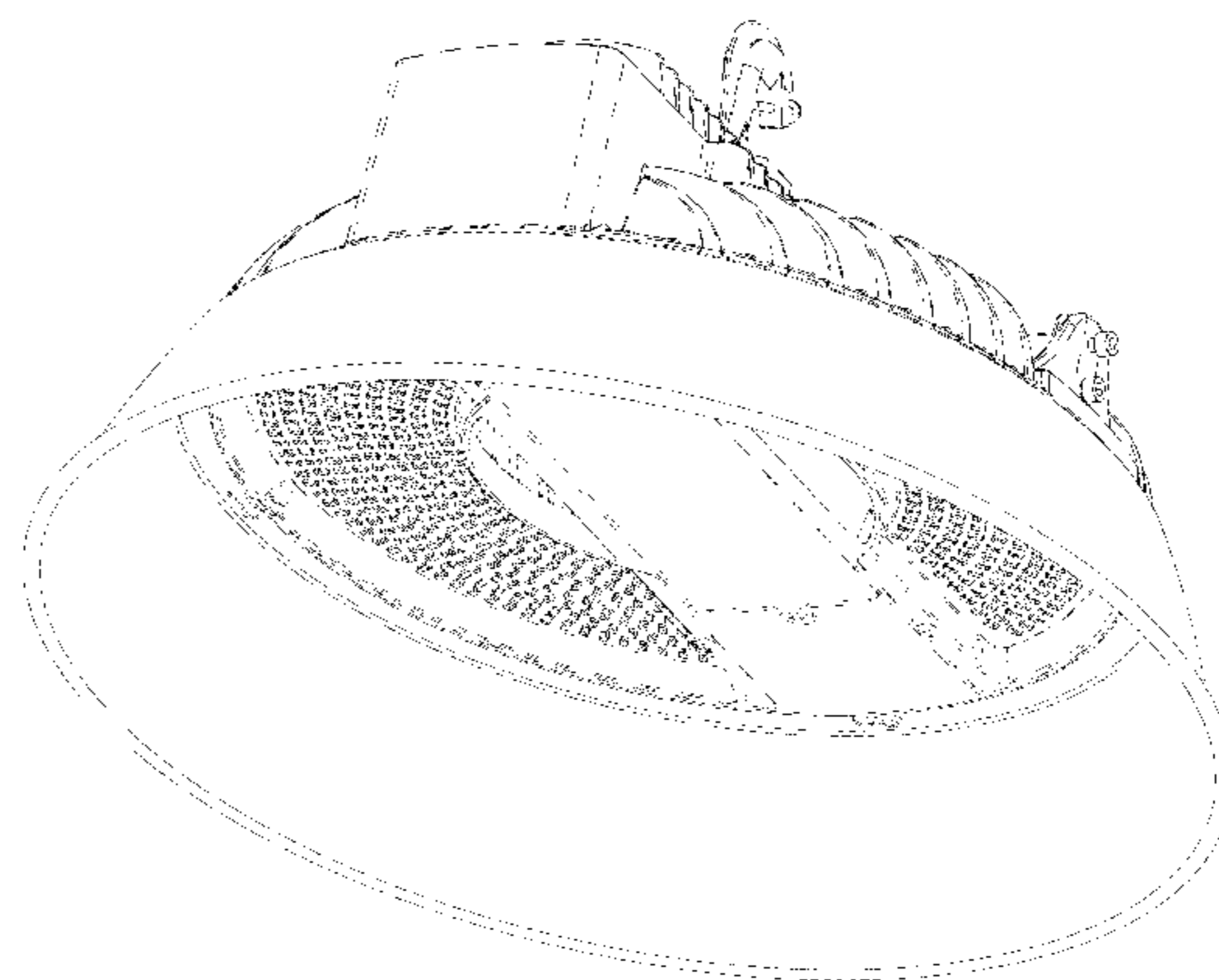
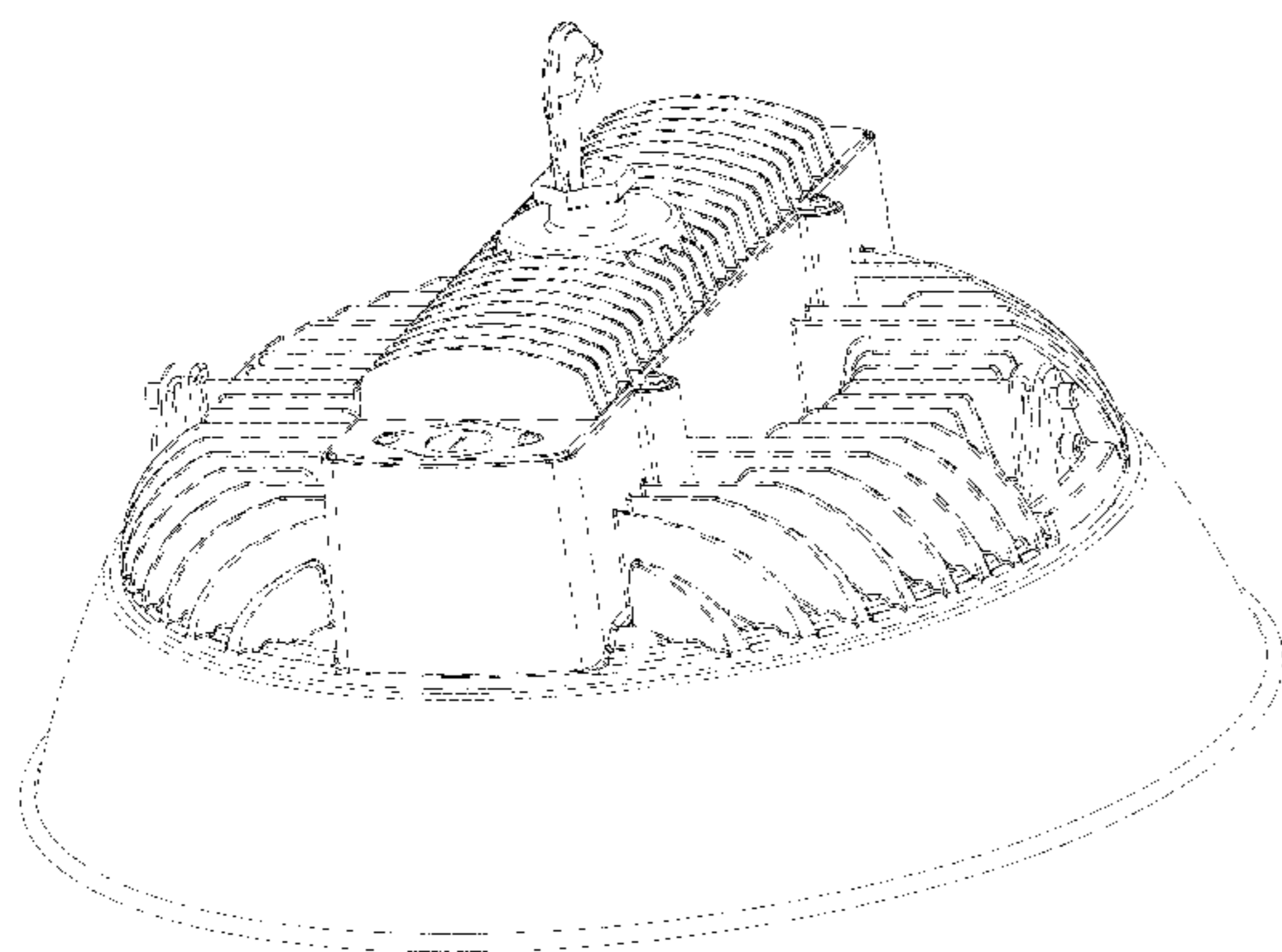
FIG. 4 is a right side elevational view thereof, the left side elevational view being a mirror image thereof;

FIG. 5 is a bottom plan view thereof; and,

FIG. 6 is a top plan view thereof.

The broken lines represent elements which form no part of the claimed design.

1 Claim, 6 Drawing Sheets



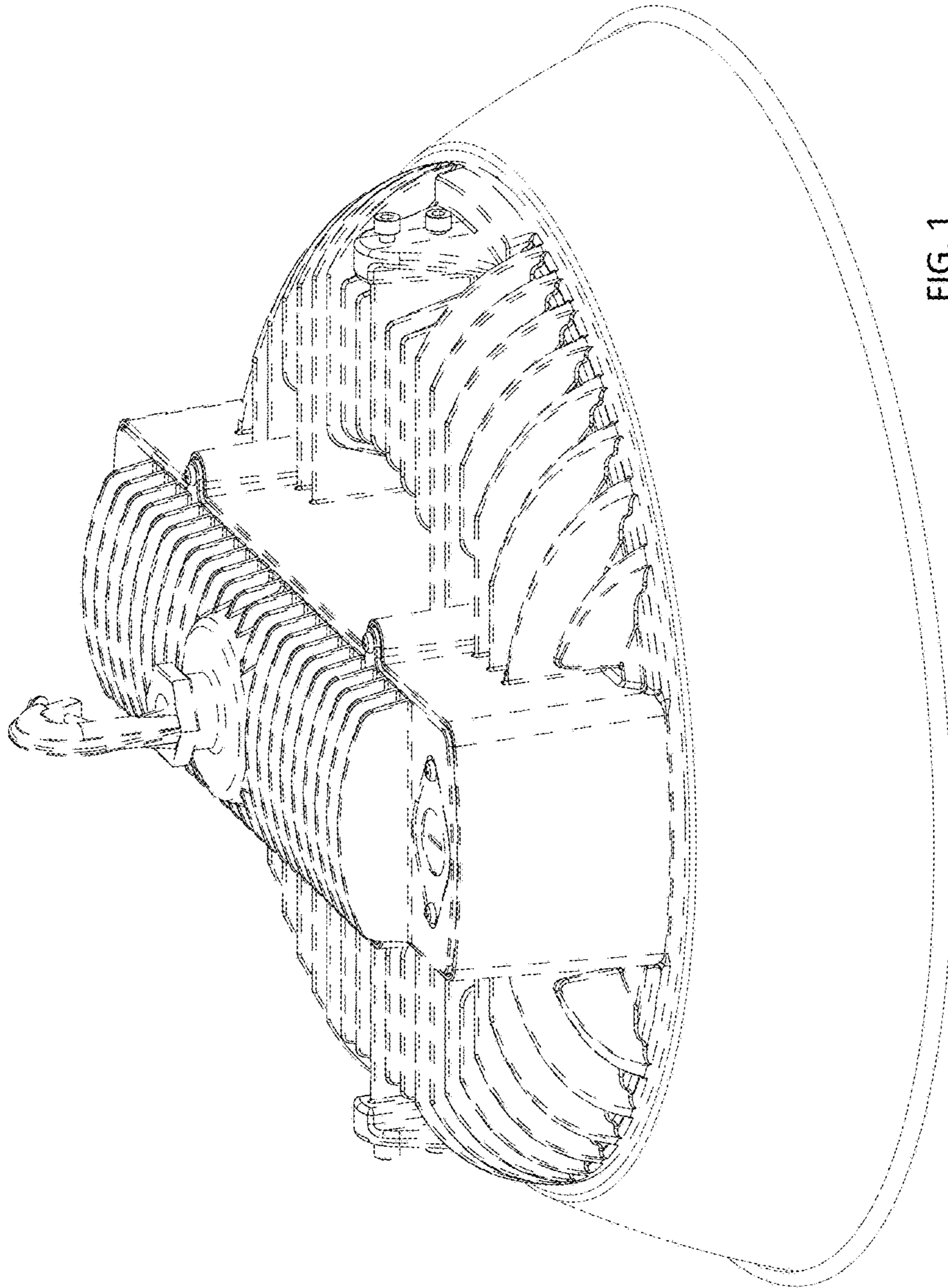


FIG. 1

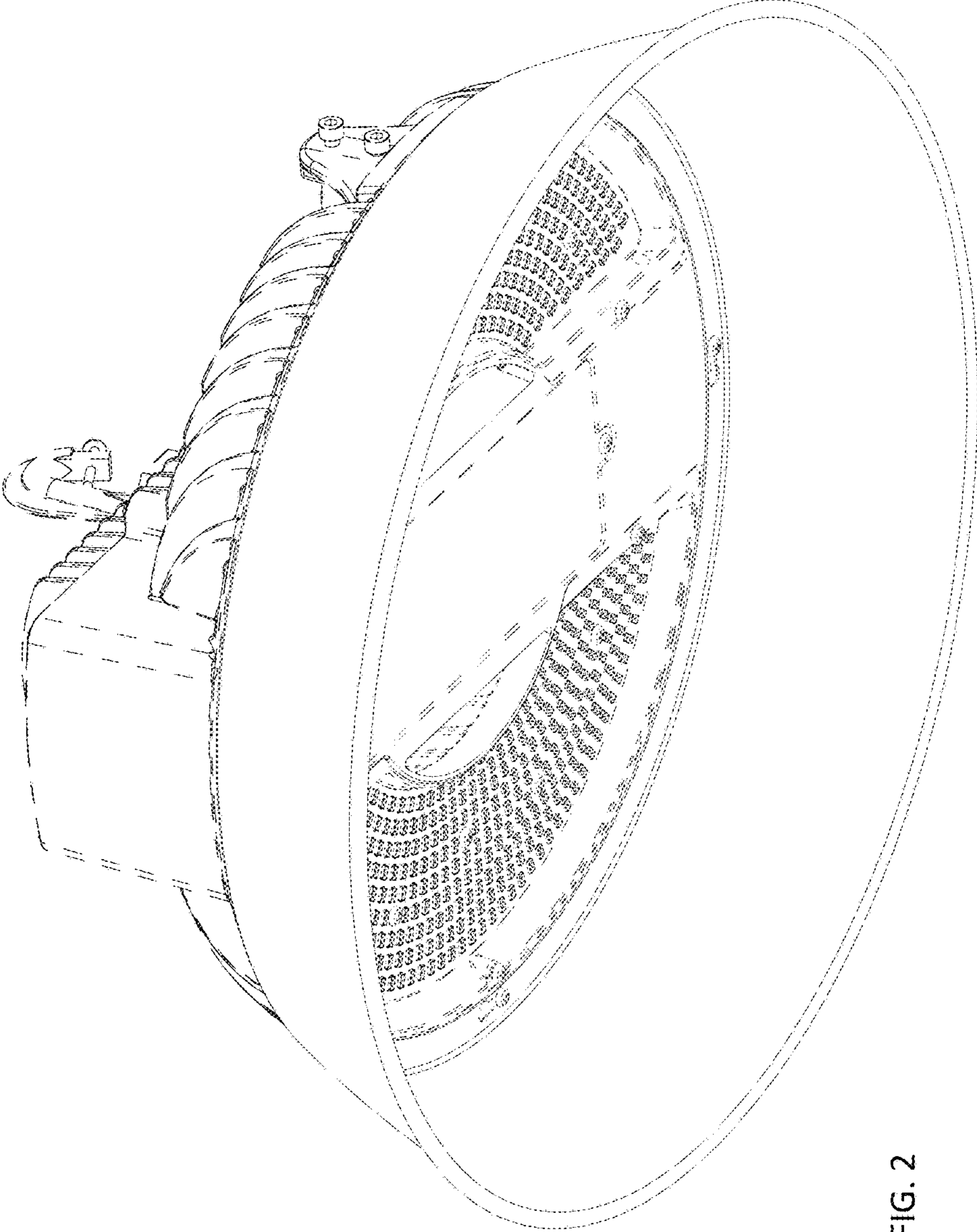


FIG. 2

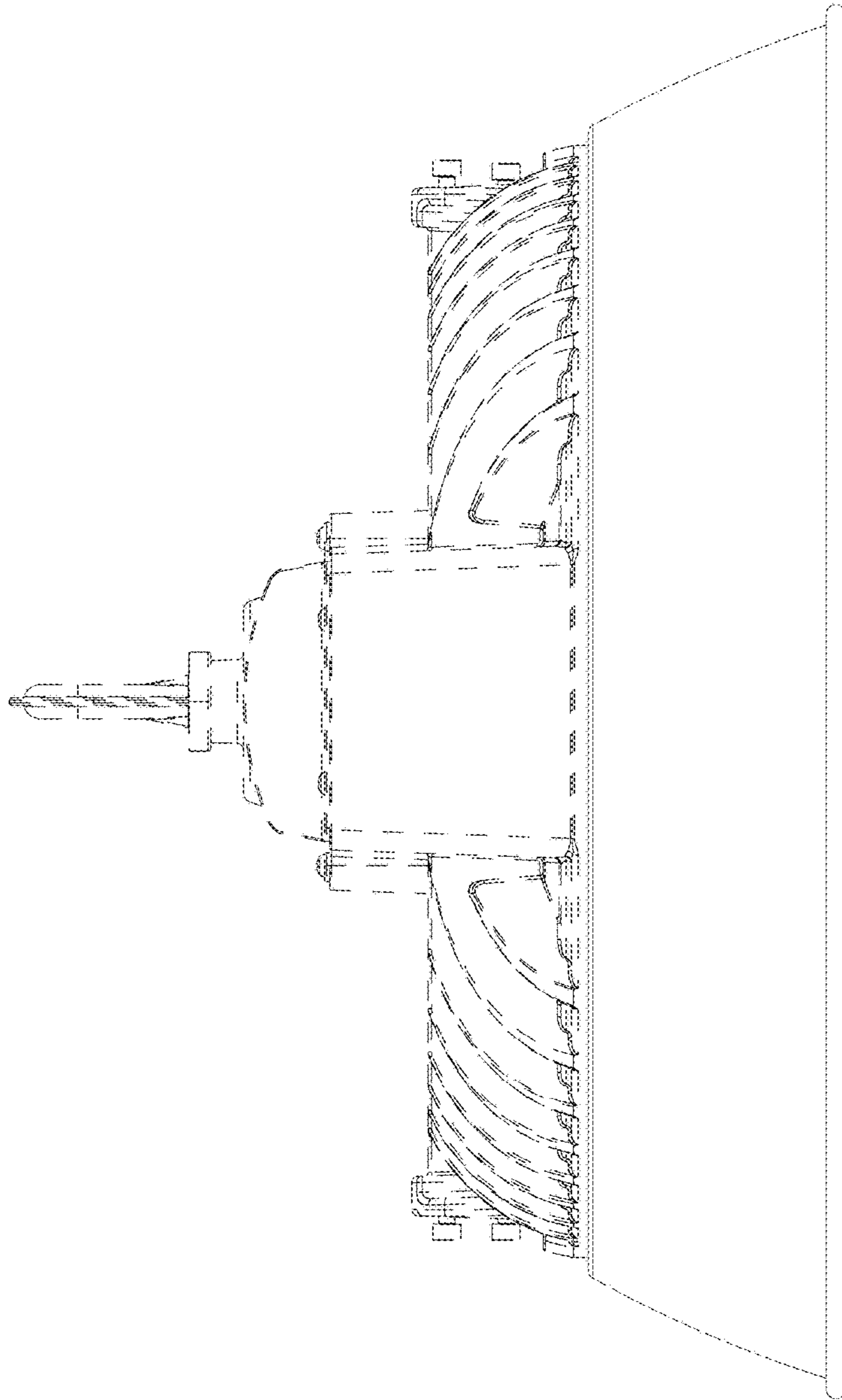


FIG. 3

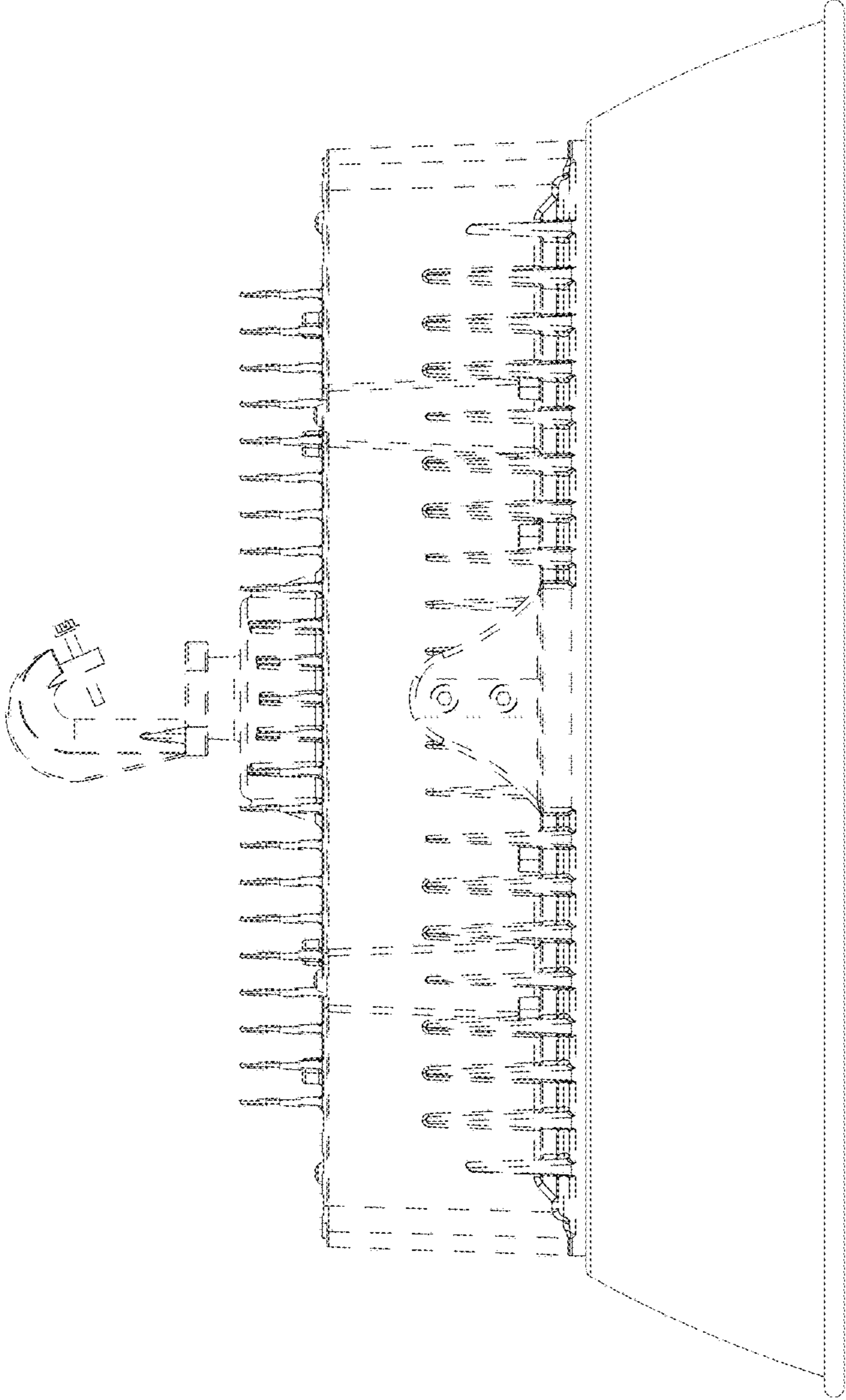


FIG. 4

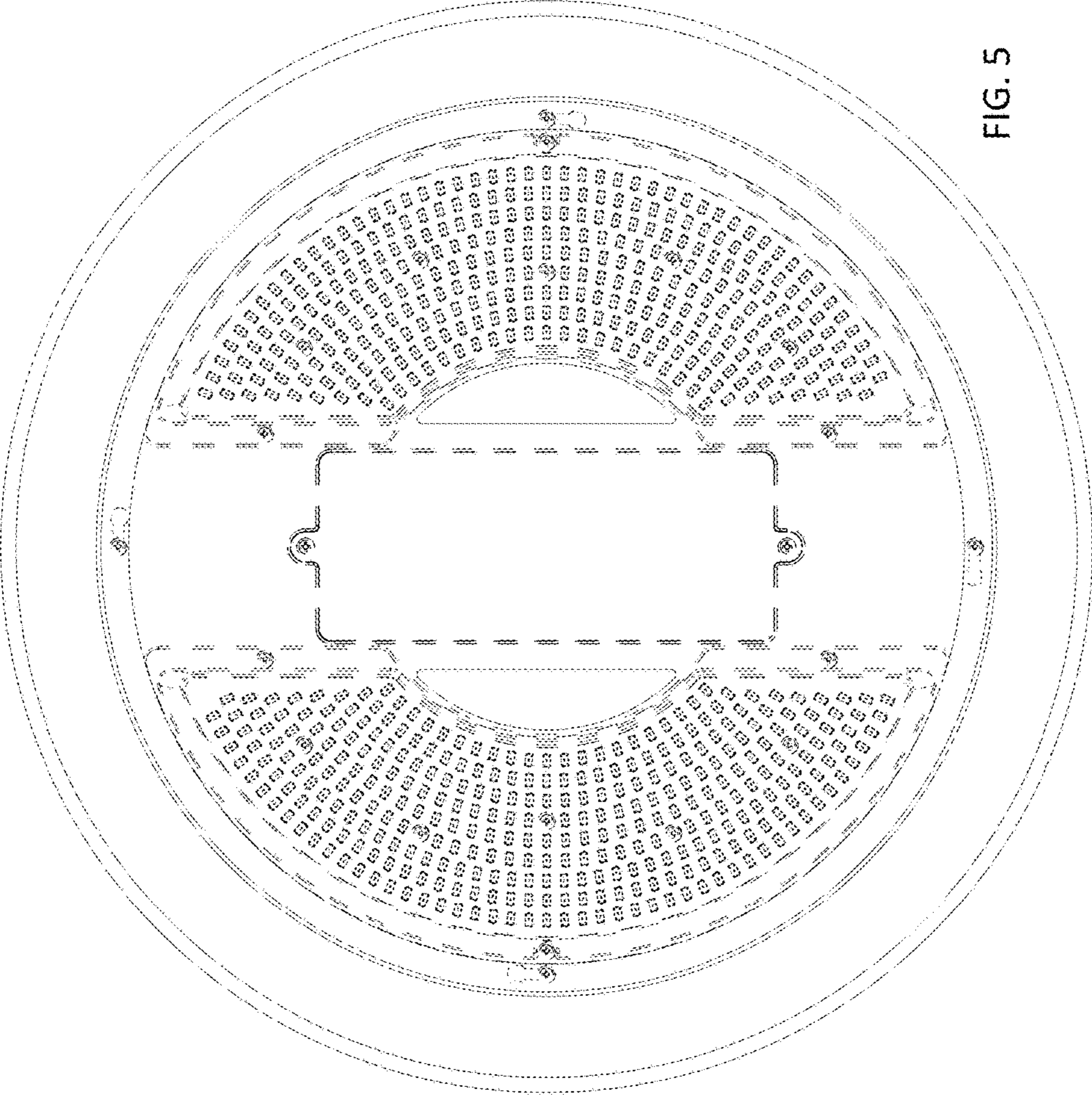


FIG. 5

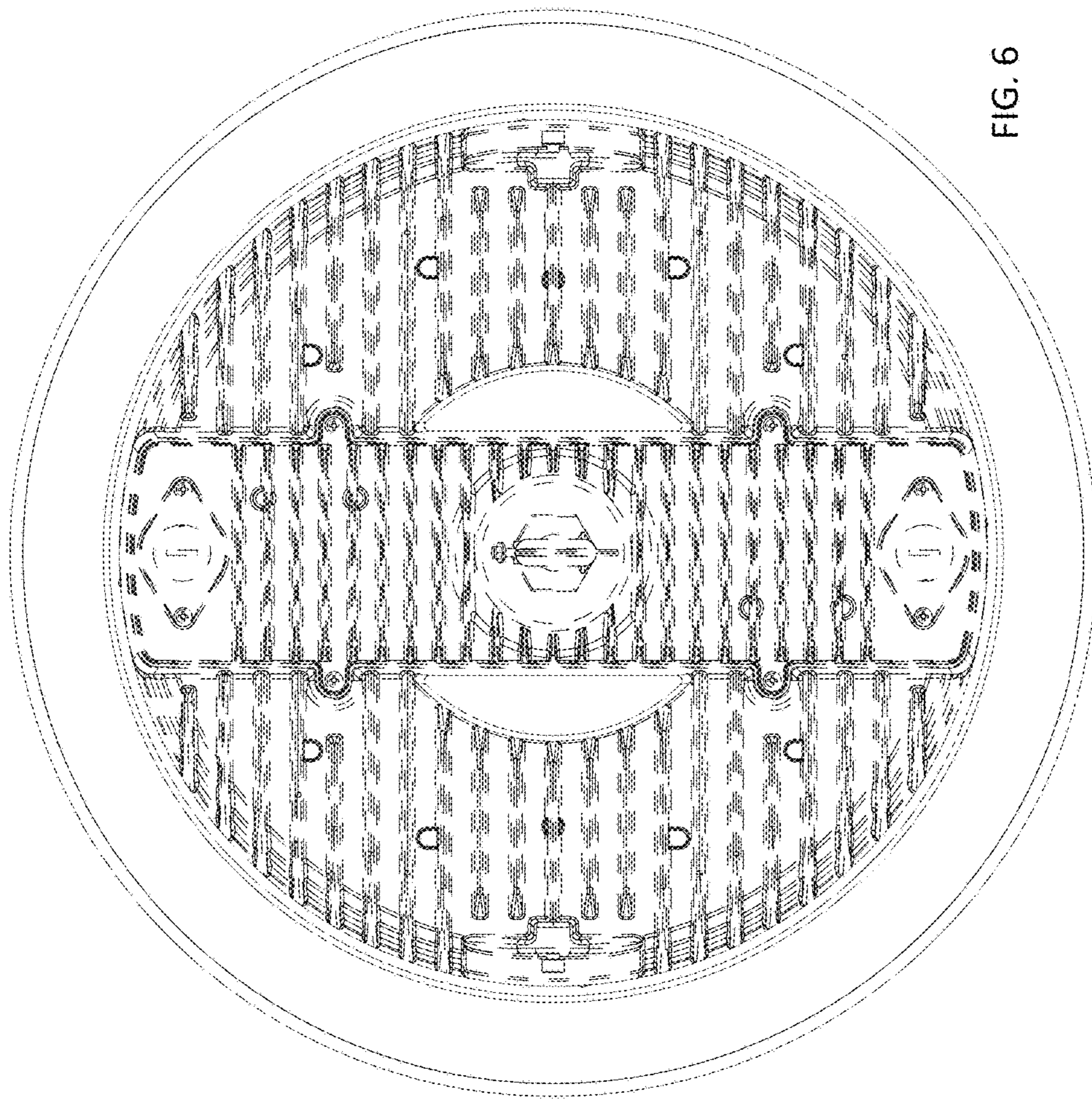


FIG. 6