



US00D856566S

(12) **United States Design Patent**
Deng

(10) **Patent No.:** **US D856,566 S**

(45) **Date of Patent:** **** Aug. 13, 2019**

(54) **SHOEBOX LIGHT**

(71) Applicant: **Dongguan Pan American Electronics Co., Ltd**, DongGuan, GuangDong (CN)

(72) Inventor: **Jinsheng Deng**, DongGuan (CN)

(73) Assignee: **DONGGUAN PAN AMERICAN ELECTRONICS CO., LTD**, Dongguan (CN)

(**) Term: **15 Years**

(21) Appl. No.: **29/606,904**

(22) Filed: **Jun. 8, 2017**

(30) **Foreign Application Priority Data**

Mar. 31, 2017 (CN) 2017 3 0103695

(51) **LOC (12) Cl.** **26-05**

(52) **U.S. Cl.**
USPC **D26/71**

(58) **Field of Classification Search**
USPC D10/111-115; D26/67-85, 92; D29/103
CPC .. F21S 8/033; F21S 8/036; F21S 8/043; F21S 8/081; F21S 8/085; F21S 8/086; F21S 8/088; F21V 29/74; F21V 29/75; F21V 29/83; F21V 29/507

See application file for complete search history.

(56) **References Cited**

U.S. PATENT DOCUMENTS

D672,492 S	*	12/2012	Butler	D26/71
D743,088 S	*	11/2015	Snell	D26/92
D744,141 S	*	11/2015	Bobel	D26/63
D770,660 S	*	11/2016	Yang	D26/71
D776,859 S	*	1/2017	Duckworth	D26/92
D819,859 S	*	6/2018	Zou	D26/71
D822,261 S	*	7/2018	Demuynck	D26/92
D831,254 S	*	10/2018	Pouladian	D26/71
D831,872 S	*	10/2018	Sinai	D26/71

2009/0251898	A1*	10/2009	Kinnune	F21V 29/004 362/249.02
2016/0061428	A1*	3/2016	Nimma	F21V 31/005 362/236
2016/0320046	A1*	11/2016	Duckworth	F21V 21/108
2017/0307197	A1*	10/2017	Clark	F21S 8/086

OTHER PUBLICATIONS

LED Shoebox Pole Light (available online) Retrieved from the internet Mar. 7, 2019 from URL: <https://www.hyperikon.com/products/parking-street-lights/copy-of-led-shoebox-pole-light-5700k-ac-100-277v-street-light-photocell-included-ip65/>.*

AntLux LED Parking Lot Lights (available online) Retrieved from the internet Mar. 11, 2019 from URL: https://www.tennismarket.com/index.php?main_page=product_info&products_id=410840.*

Shoebox Lights (available online) Retrieved from the internet Mar. 11, 2019 from URL: <http://industrial-lighting.org/tag/parking/page/3/>.*

* cited by examiner

Primary Examiner — Kevin K Rudzinski

Assistant Examiner — Richard Kearney

(74) *Attorney, Agent, or Firm* — Ladas & Parry LLP

(57) **CLAIM**

The ornamental design for a shoebox light, as shown and described.

DESCRIPTION

FIG. 1 is a front elevational view of a shoebox light showing my new design;

FIG. 2 is a rear elevational view thereof;

FIG. 3 is a left-side elevational view thereof;

FIG. 4 is a right-side elevational view thereof;

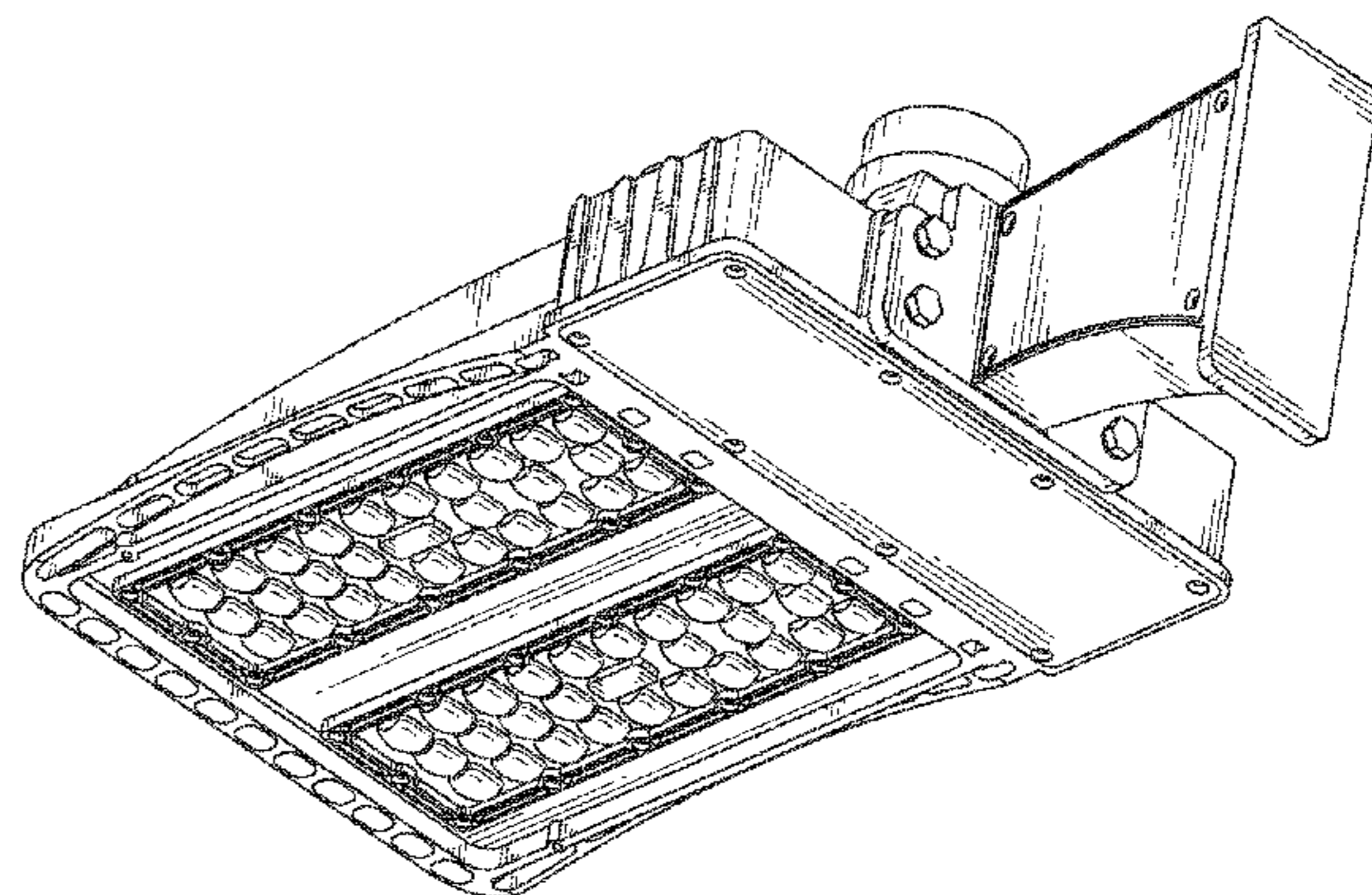
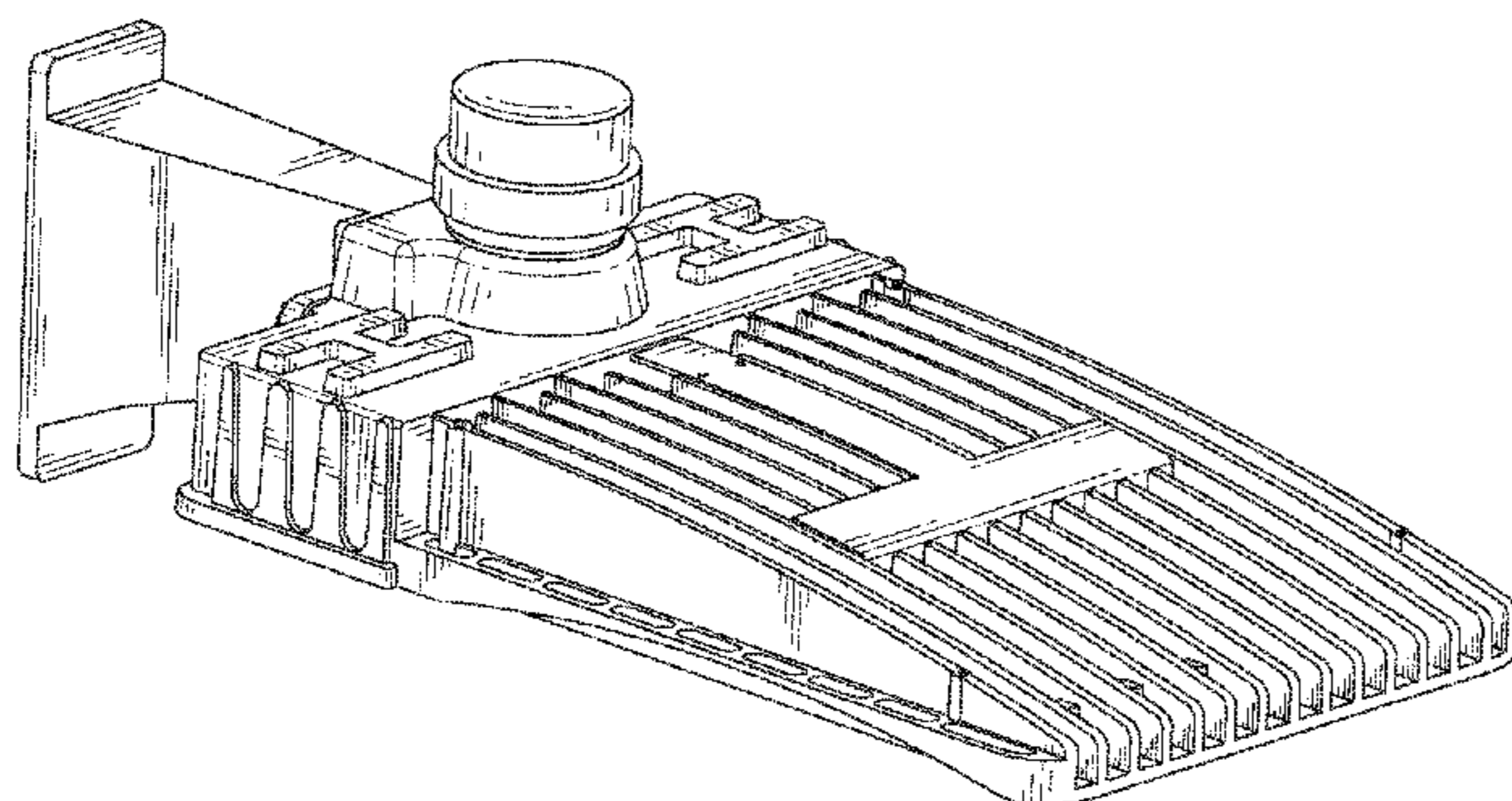
FIG. 5 is a top plan view thereof;

FIG. 6 is a bottom plan view thereof;

FIG. 7 is a front, top, right perspective view thereof; and,

FIG. 8 is a rear, bottom, right perspective view thereof.

1 Claim, 8 Drawing Sheets



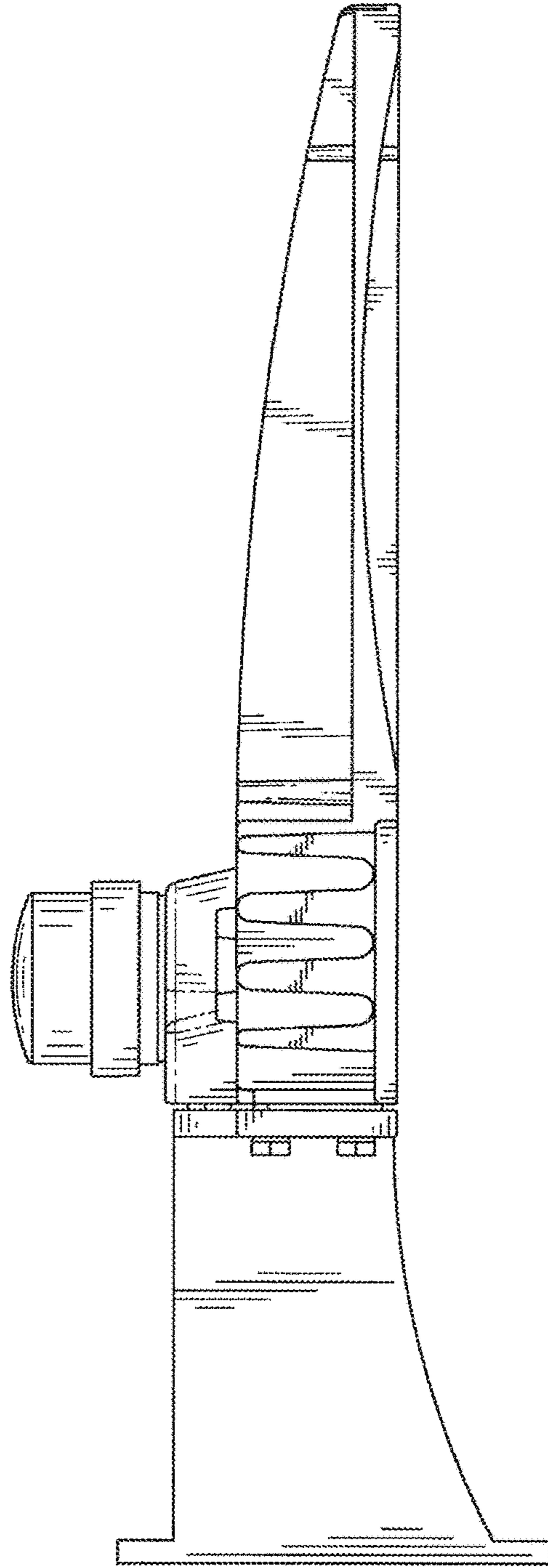


FIG. 1

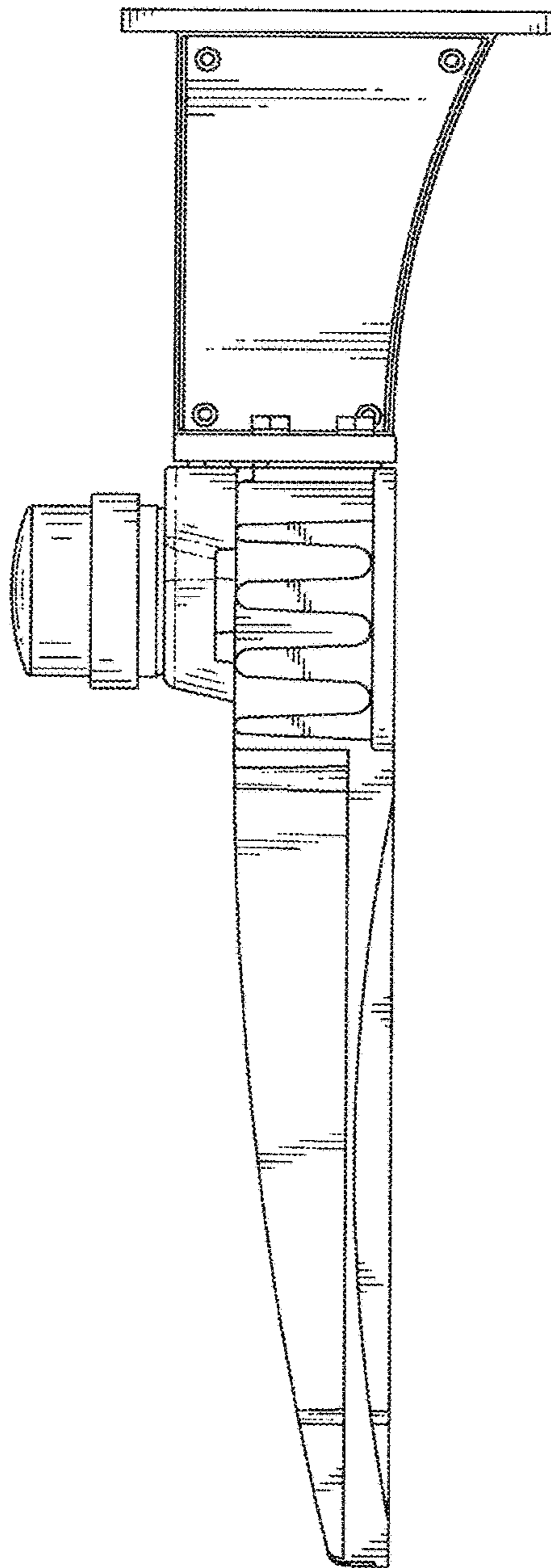


FIG. 2

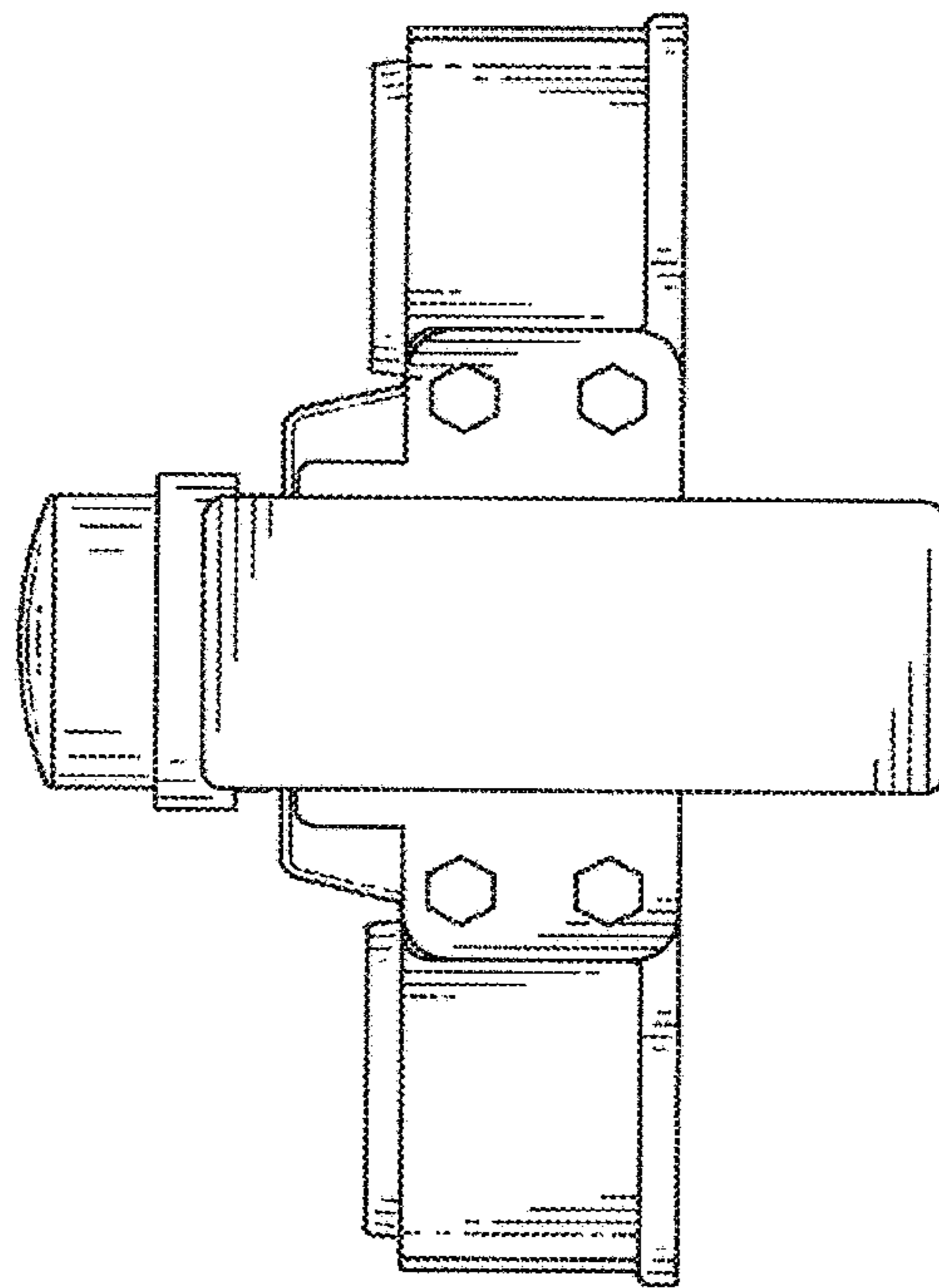


FIG. 3

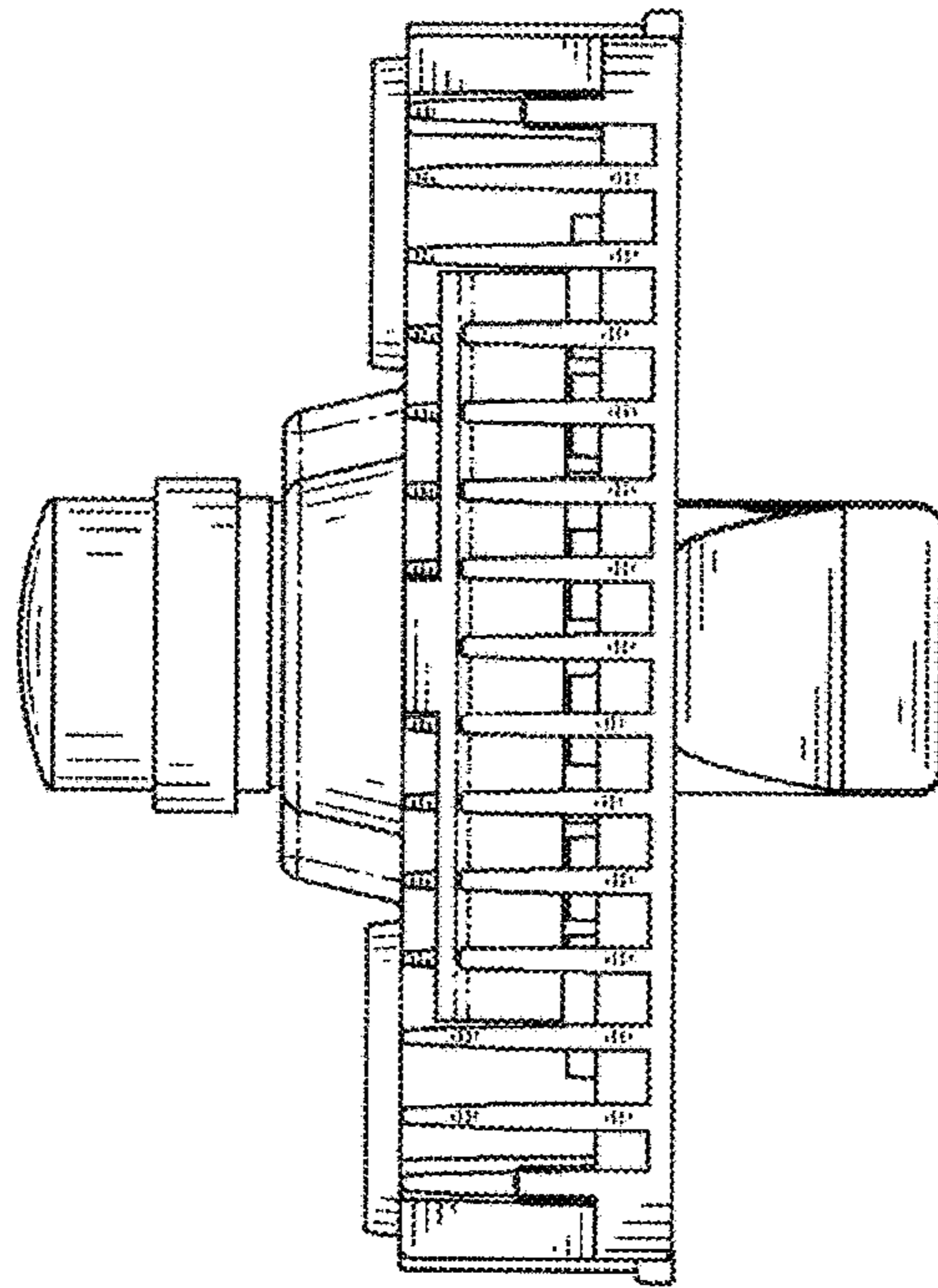


FIG. 4

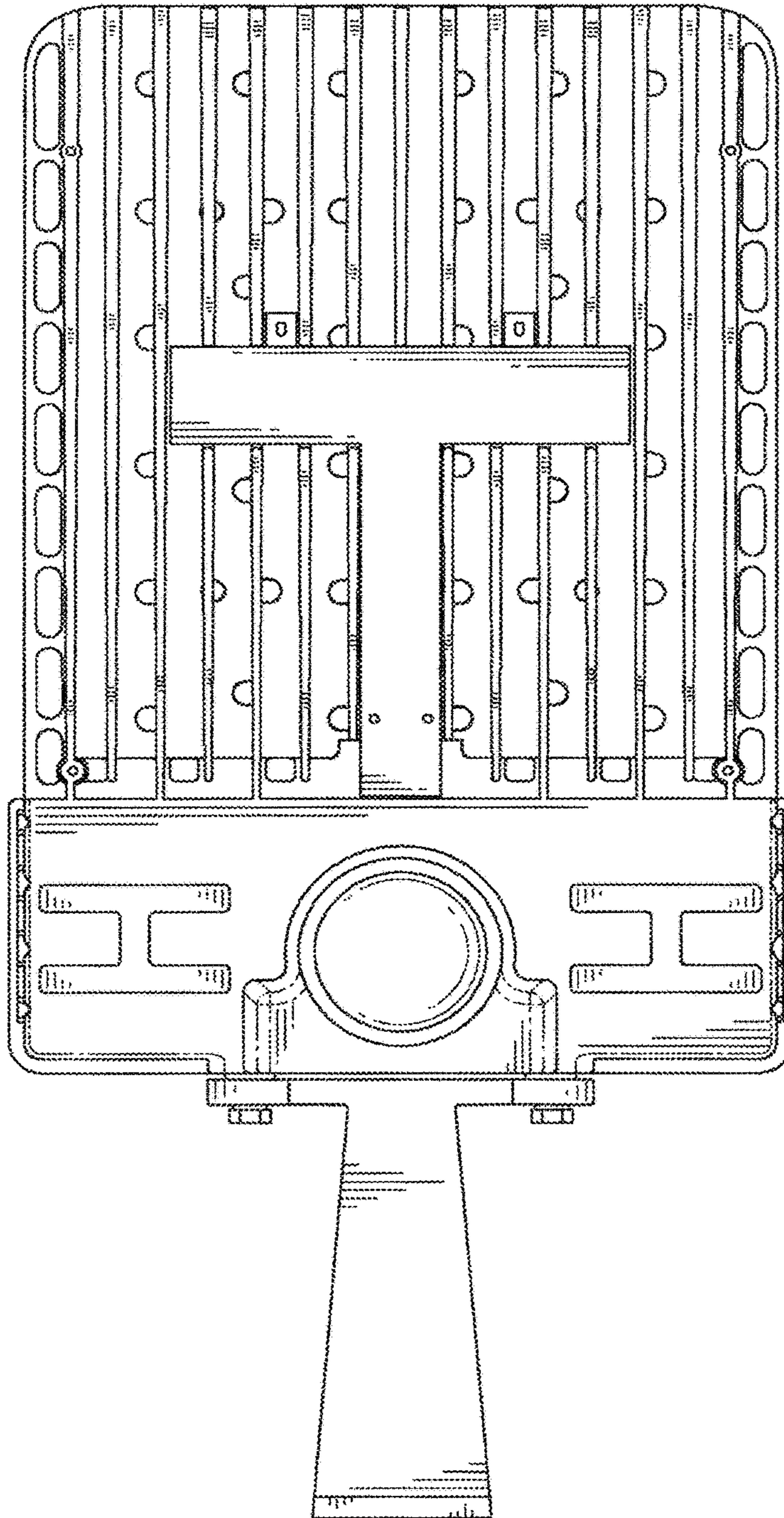


FIG. 5

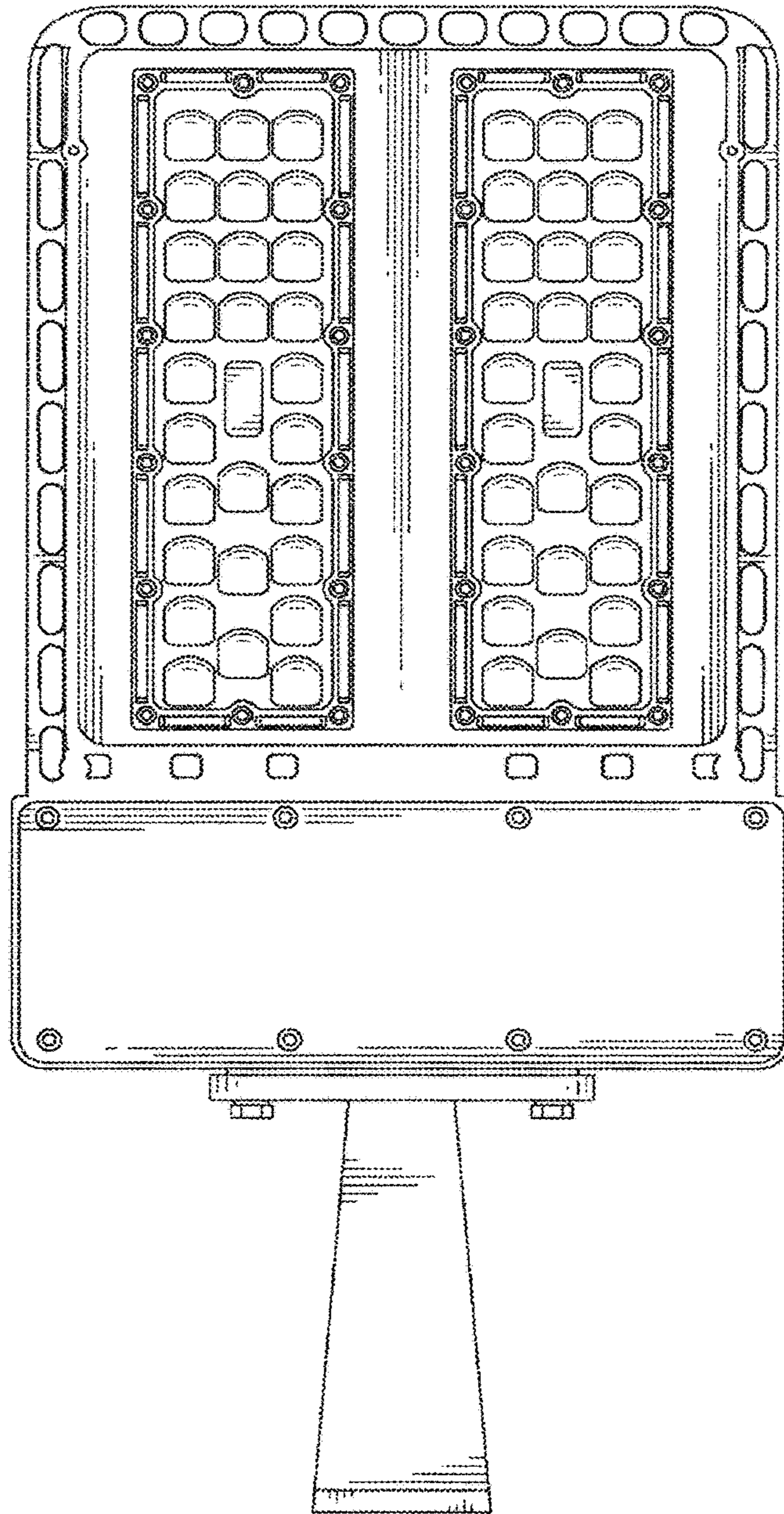


FIG. 6

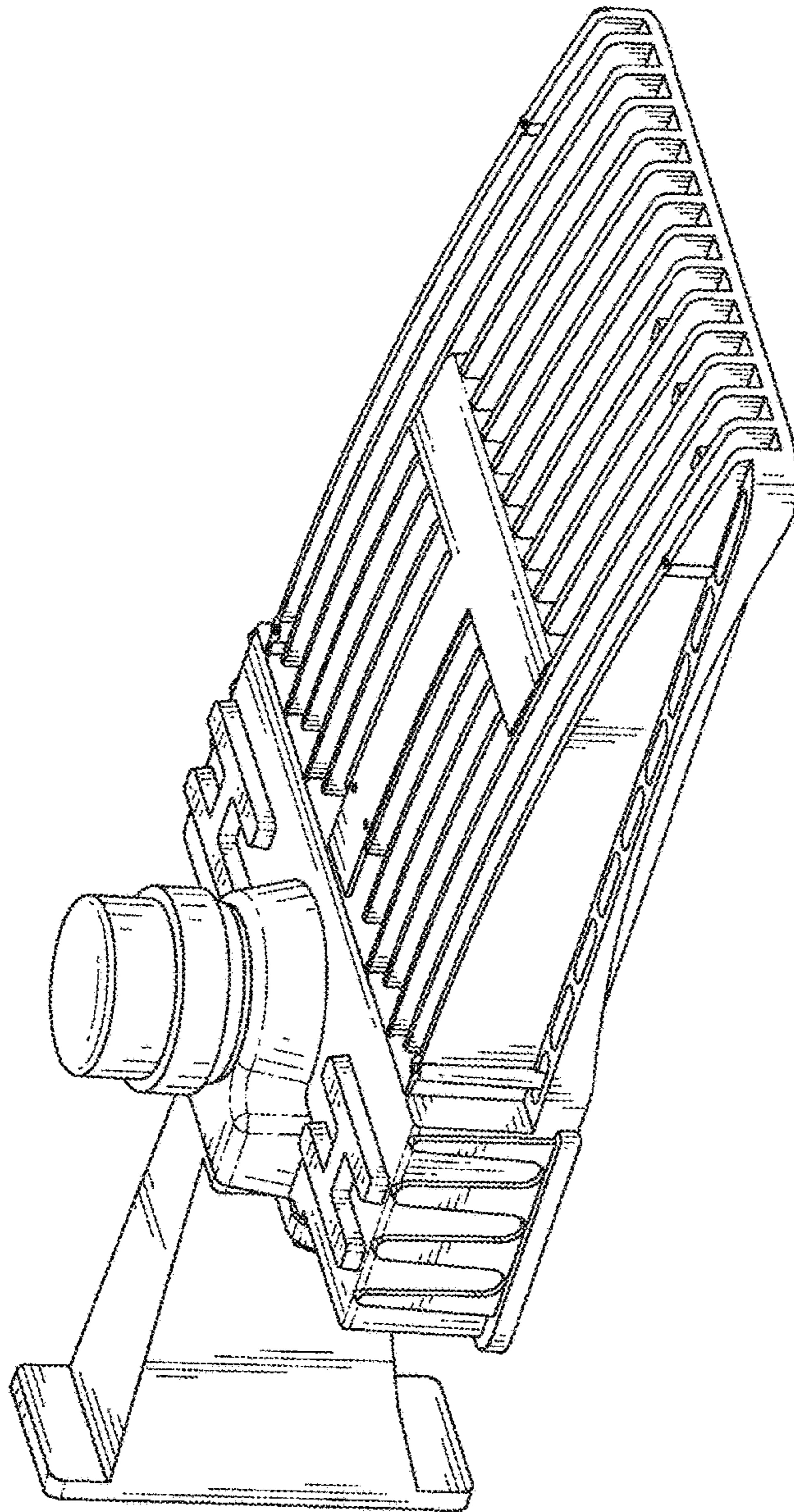


FIG. 7

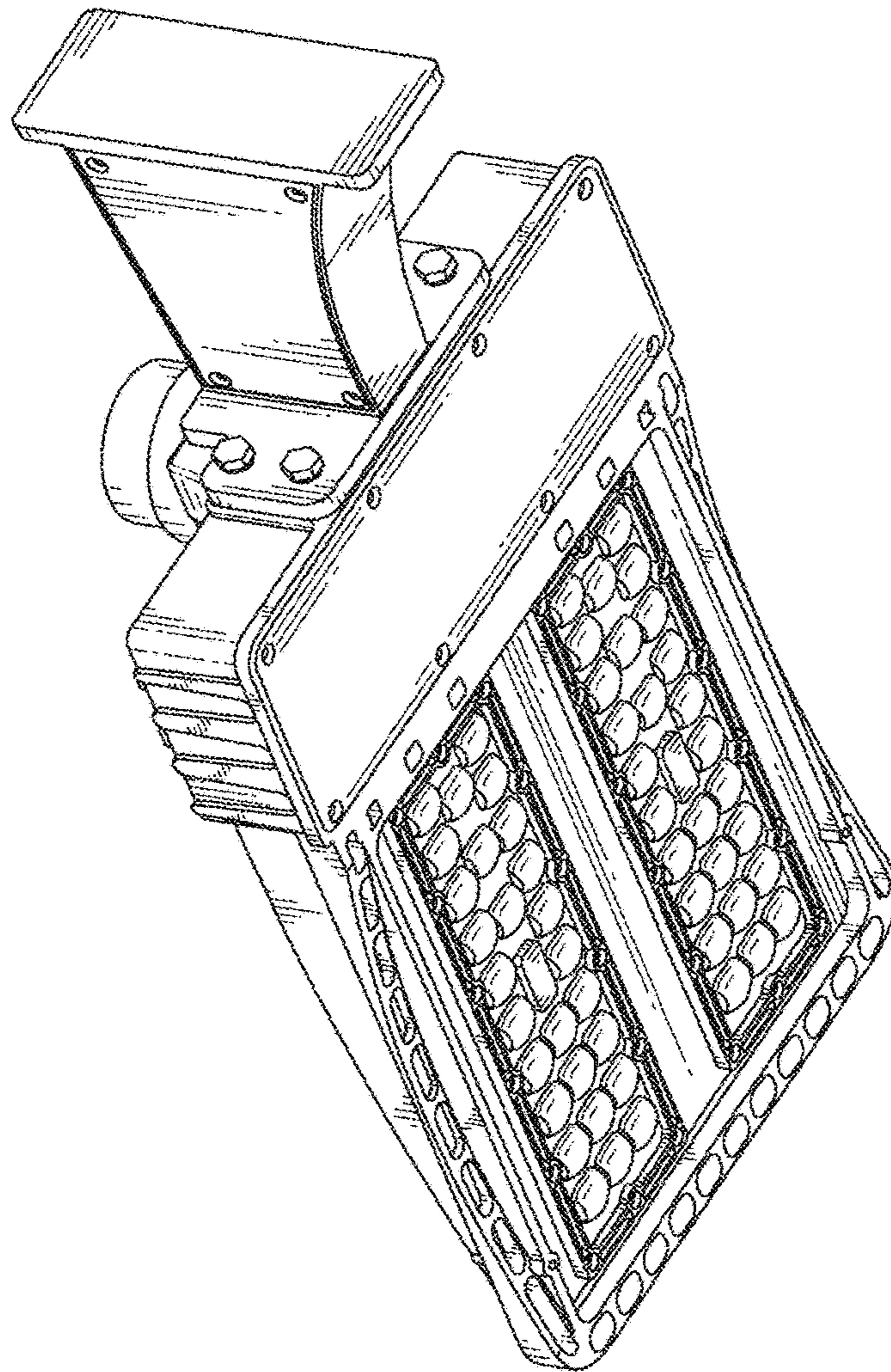


FIG. 8