

US00D856564S

(12) **United States Design Patent**
Liu

(10) **Patent No.:** **US D856,564 S**

(45) **Date of Patent:** **** Aug. 13, 2019**

(54) **SOLAR LAMP**

(71) Applicant: **Shenzhen Ennoplus Technology Co., Ltd.**, Shenzhen, Guangdong (CN)

(72) Inventor: **Hangyu Liu**, Guangdong (CN)

(73) Assignee: **Shenzhen Ennoplus Technology Co., Ltd.**, Shenzhen (CN)

(**) Term: **15 Years**

(21) Appl. No.: **29/642,734**

(22) Filed: **Apr. 2, 2018**

(51) **LOC (12) Cl.** **26-03**

(52) **U.S. Cl.**
USPC **D26/63**

(58) **Field of Classification Search**
USPC D26/1, 24, 60, 61, 63-68, 80, 81, 113;
D13/102

CPC F21L 2/00; F21L 14/00; F21S 8/08; F21S 9/032; F21S 8/003; F21V 21/30; F21V 21/084; F21V 21/29; F21V 14/00; F21V 14/02; F21V 15/01; F21V 21/14; F21V 21/08; H01L 31/00; H02N 6/00

See application file for complete search history.

(56) **References Cited**

U.S. PATENT DOCUMENTS

D164,065 S *	7/1951	Rutledge	D26/71
D302,594 S *	8/1989	Charet	D26/60
D320,462 S *	10/1991	Williams	D26/24
D329,505 S *	9/1992	Miller	D26/63
D569,023 S *	5/2008	Lee	D26/60
D574,986 S *	8/2008	Kumthampinij	D26/60
D646,818 S *	10/2011	Ueda	D26/60
D697,244 S *	1/2014	McKechnie	D26/60

D716,986 S *	11/2014	Ng	D26/60
D806,297 S *	12/2017	Du	D26/60
D810,342 S *	2/2018	Chen	D26/68
2005/0117327 A1 *	6/2005	Gupta	F21L 2/00 362/103

OTHER PUBLICATIONS

Mpow Upgraded Solar Ground Lights, dated Jun. 1, 2017, [online], [site visited Apr. 18, 2019]. Available from Internet, URL: <https://www.amazon.com/Mpow-Upgraded-Waterproof-Landscape-Spotlight/dp/B072BBWGXY> (Year: 2017).*

Suntoll Solar Security Light Review!, dated Sep. 11, 2018, [online], [site visited Apr. 18, 2019]. Available from Internet, URL: <https://www.youtube.com/watch?v=Ez5fmONVd-A> (Year: 2018).*

(Continued)

Primary Examiner — Angela J Lee

Assistant Examiner — Shawn T Gingrich

(57) **CLAIM**

The ornamental design for a solar lamp, as shown and described.

DESCRIPTION

FIG. 1 is a top, front and right side perspective view of a solar lamp showing my new design;

FIG. 2 is a bottom, rear and left side perspective view thereof;

FIG. 3 is a front elevational view thereof;

FIG. 4 is a rear elevational view thereof;

FIG. 5 is a left side view thereof;

FIG. 6 is a right side view thereof;

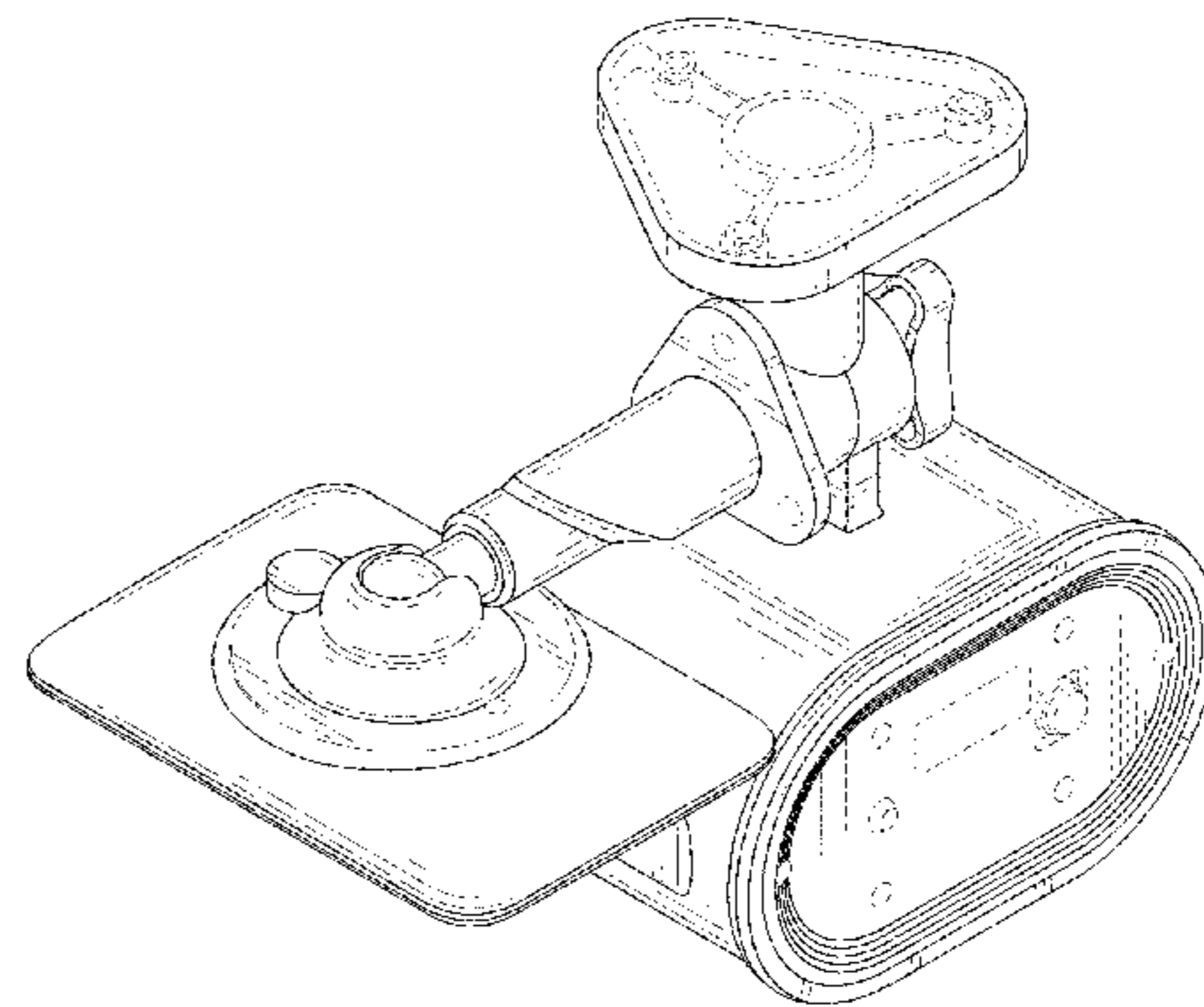
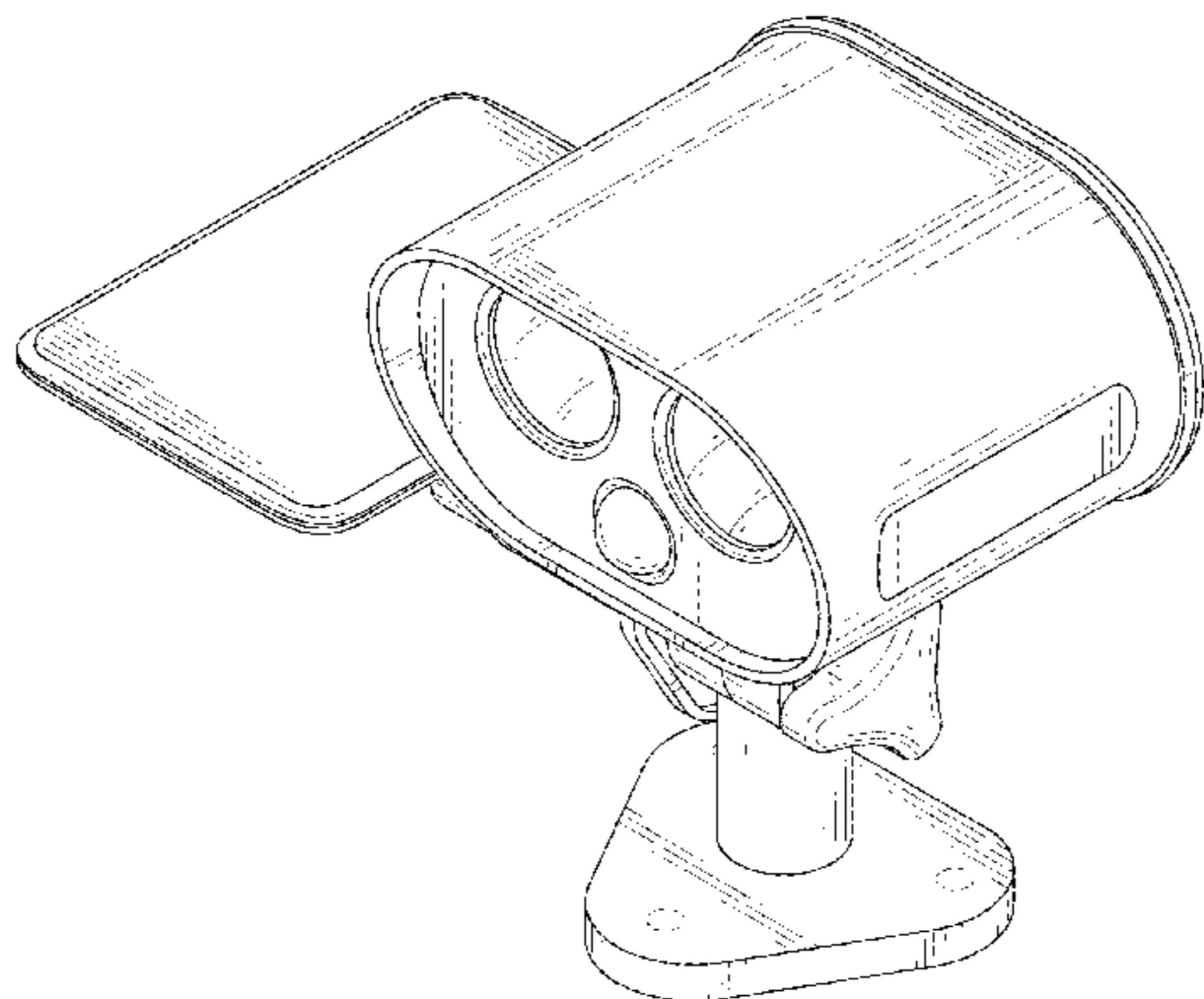
FIG. 7 is a top plan view thereof; and,

FIG. 8 is a bottom plan view thereof.

The broken lines in the drawings illustrate portions of the solar lamp which form no part of the claimed design.

The diagonal lines in the drawings represent reflective surfaces.

1 Claim, 8 Drawing Sheets



(56)

References Cited

OTHER PUBLICATIONS

Torchstar LED Solar Powered Outdoor Security Light, dated Oct. 30, 2014, [online], [site visited Apr. 18, 2019]. Available from Internet, URL:<https://www.amazon.com/3-PACK-Wireless-Motion-Security-Photocell/dp/B0155X784M> (Year: 2014).*

Suntoll Solar Lights Outdoor, dated Jun. 12, 2018, [online], [site visited Apr. 18, 2019]. Available from Internet, URL: <https://www.amazon.com/SUNTOLL-Adjustable-Lighting-Waterproof-Security/dp/B07DNXV8DH> (Year: 2018).*

* cited by examiner

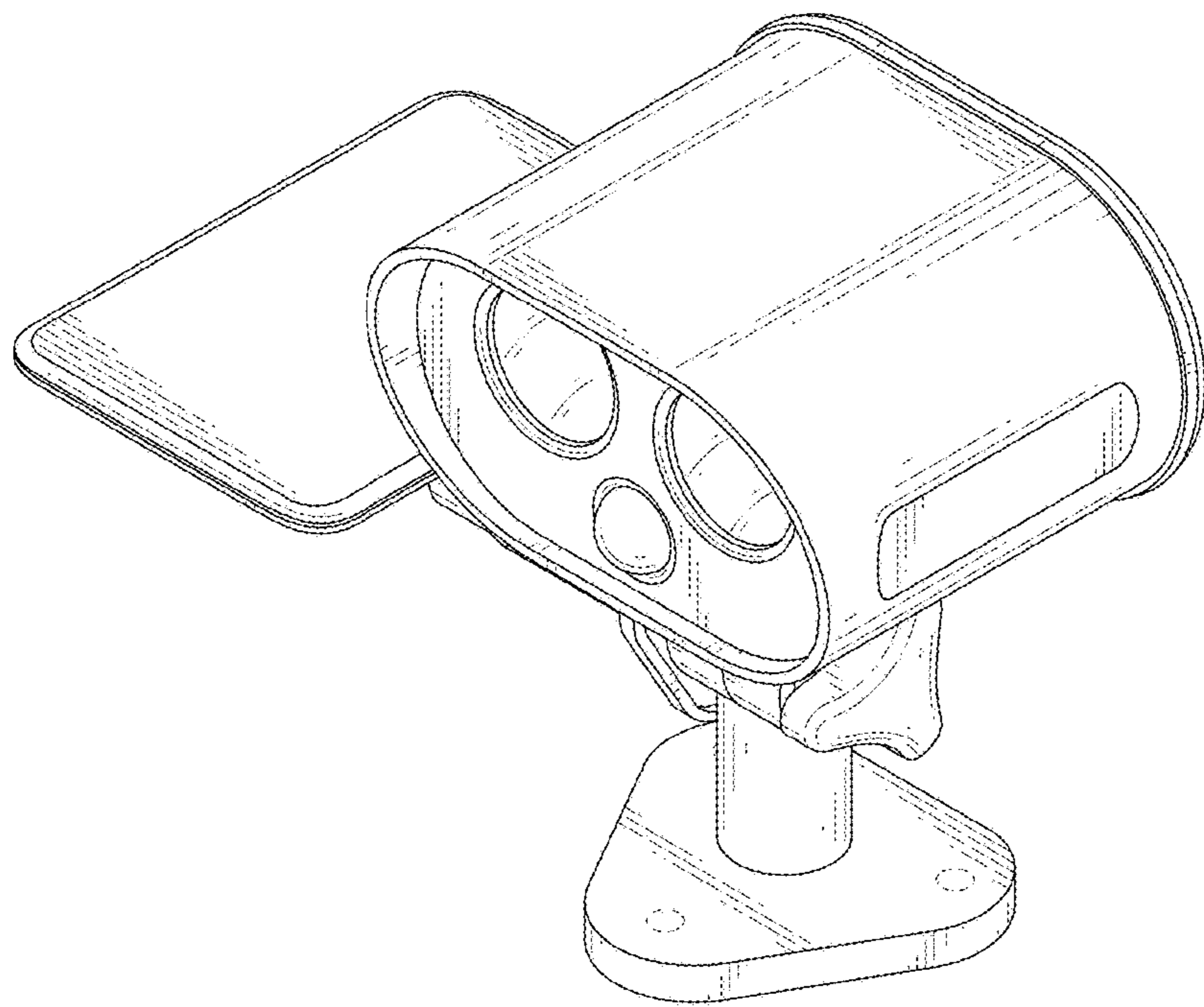


FIG. 1

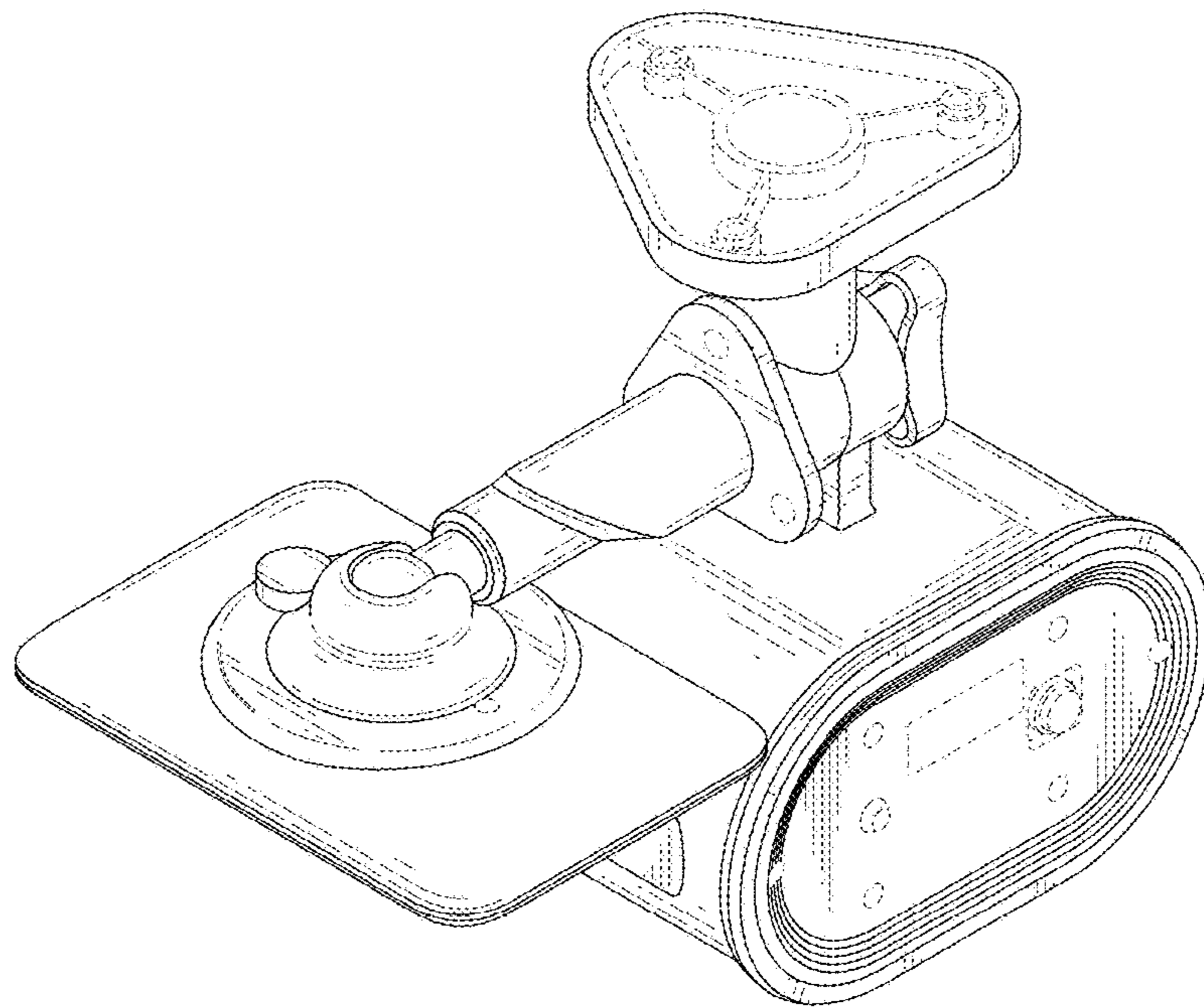


FIG. 2

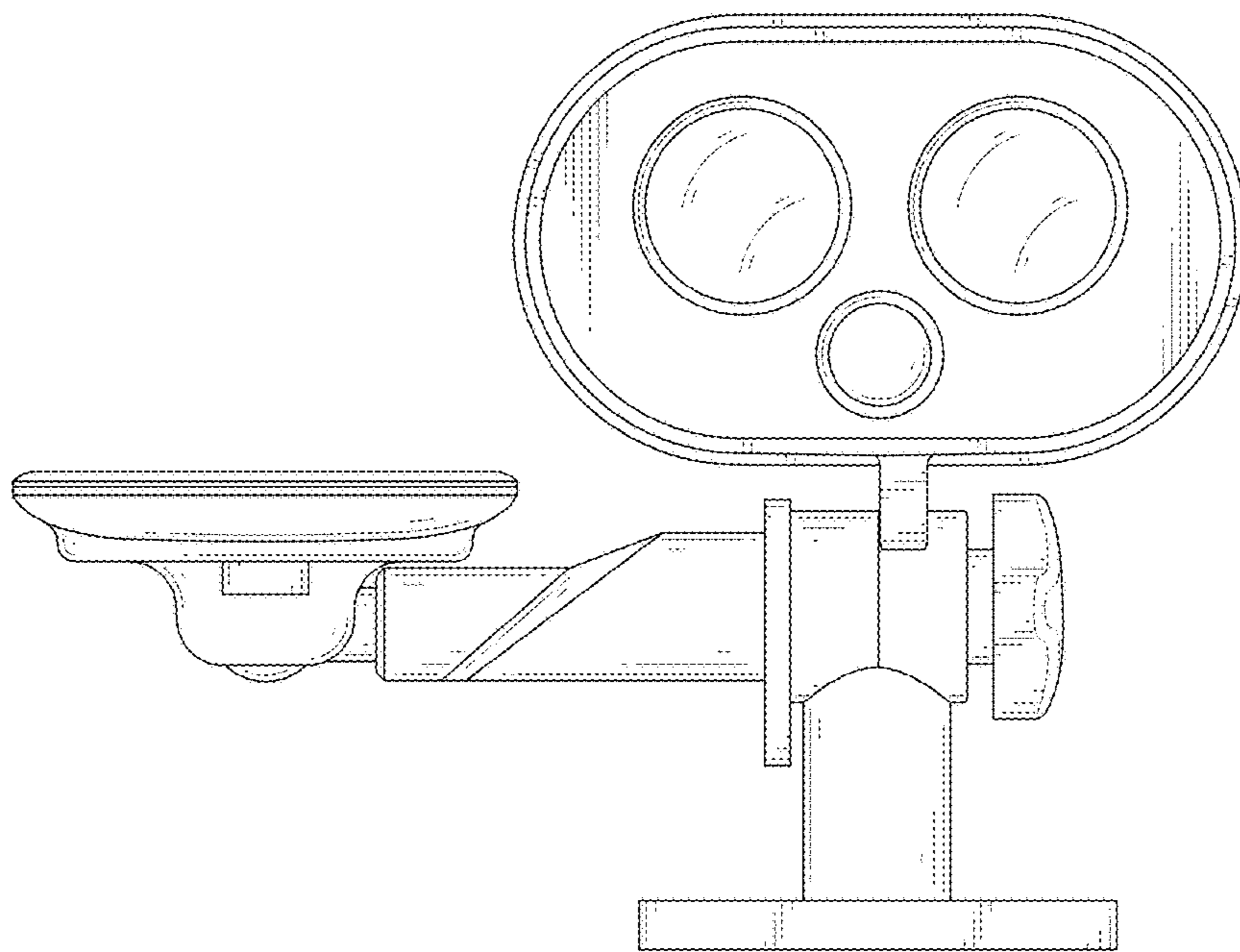


FIG. 3

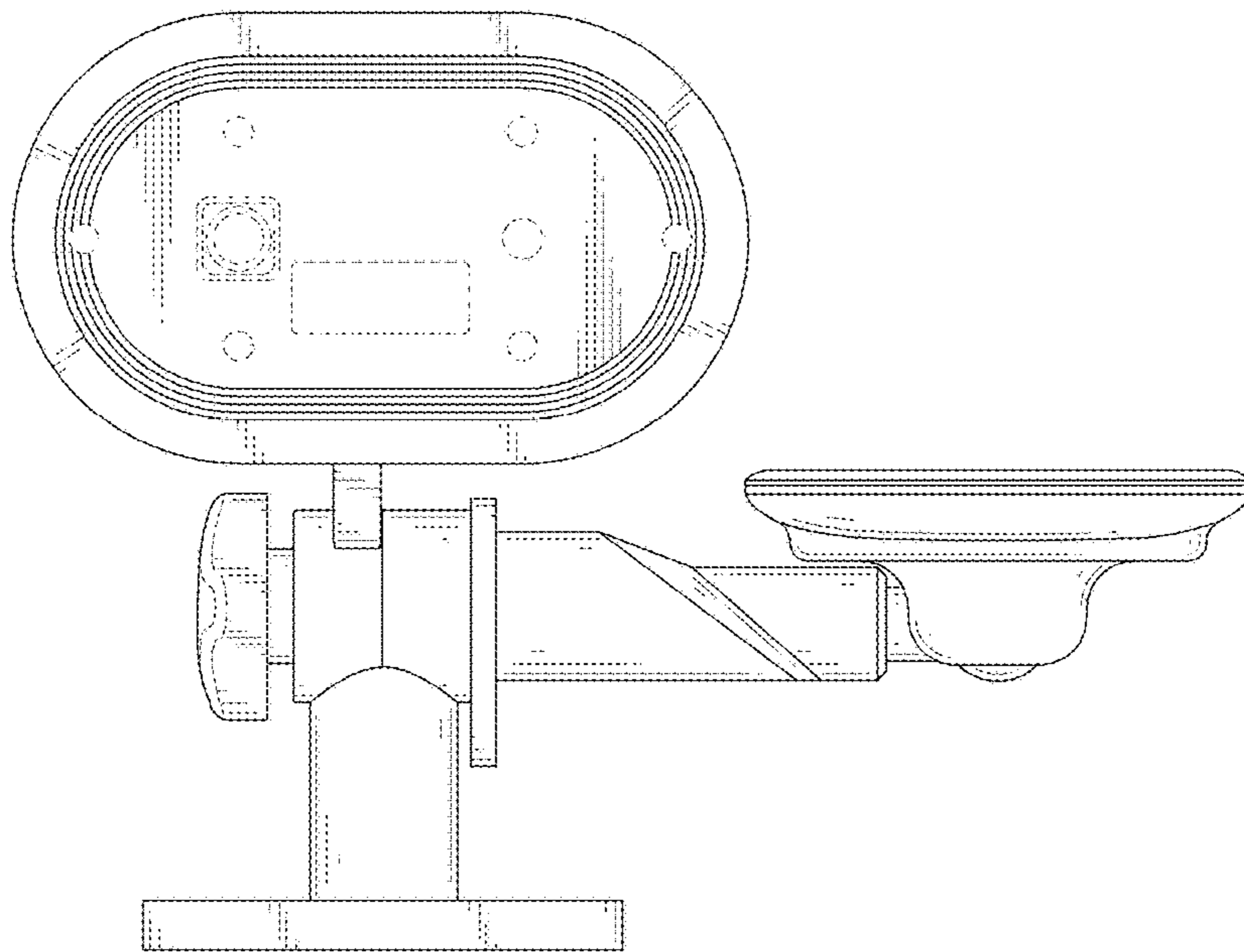


FIG. 4

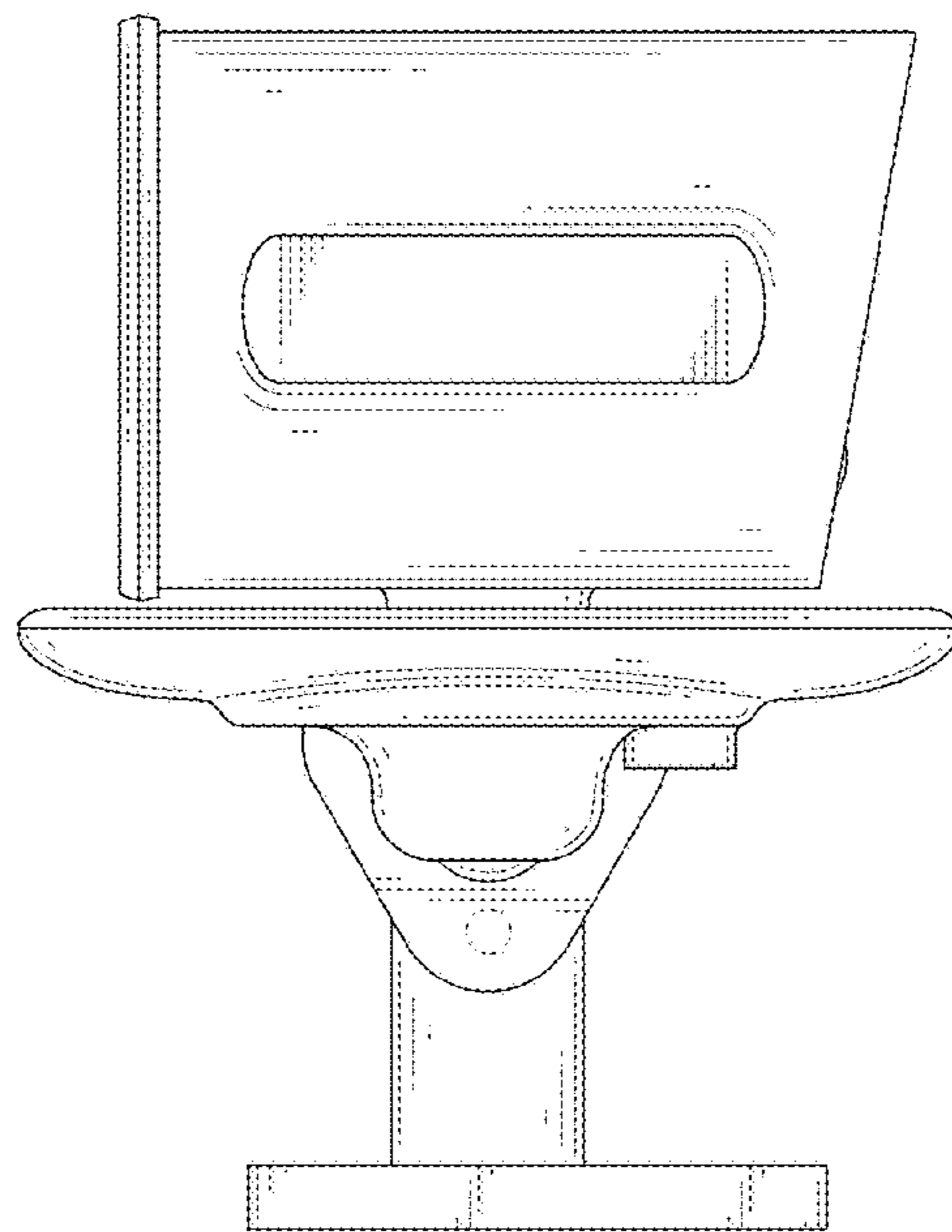


FIG. 5

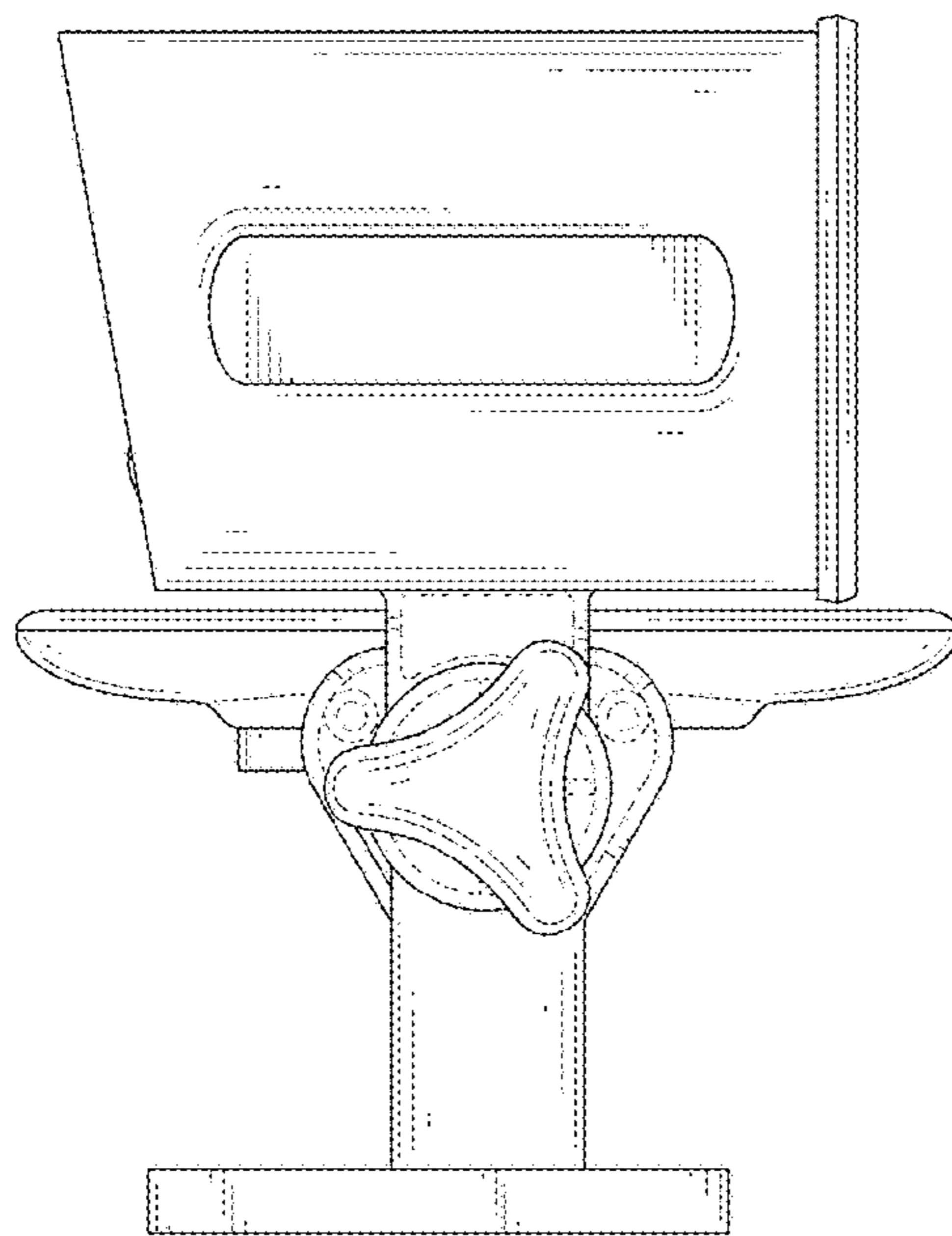


FIG. 6

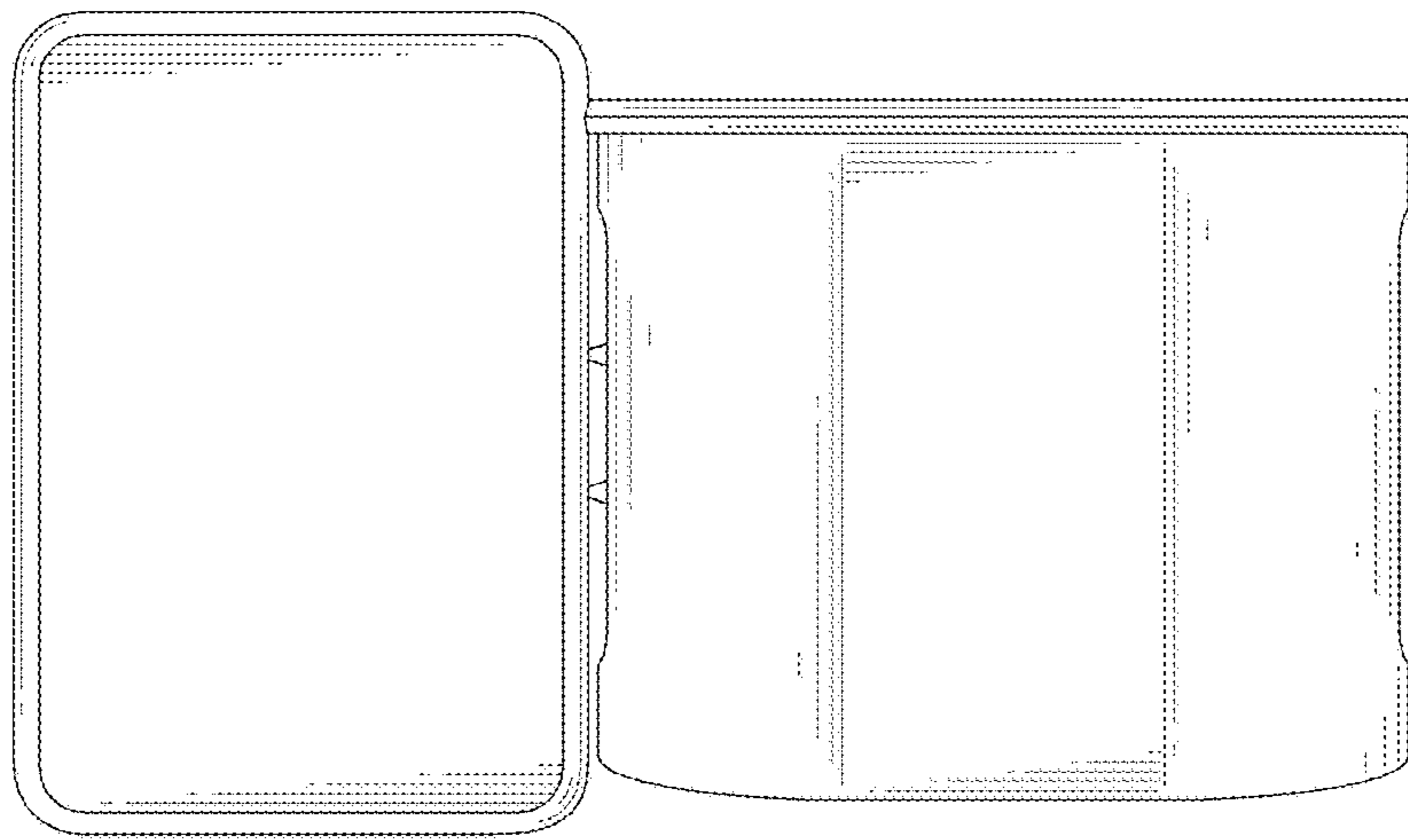


FIG. 7

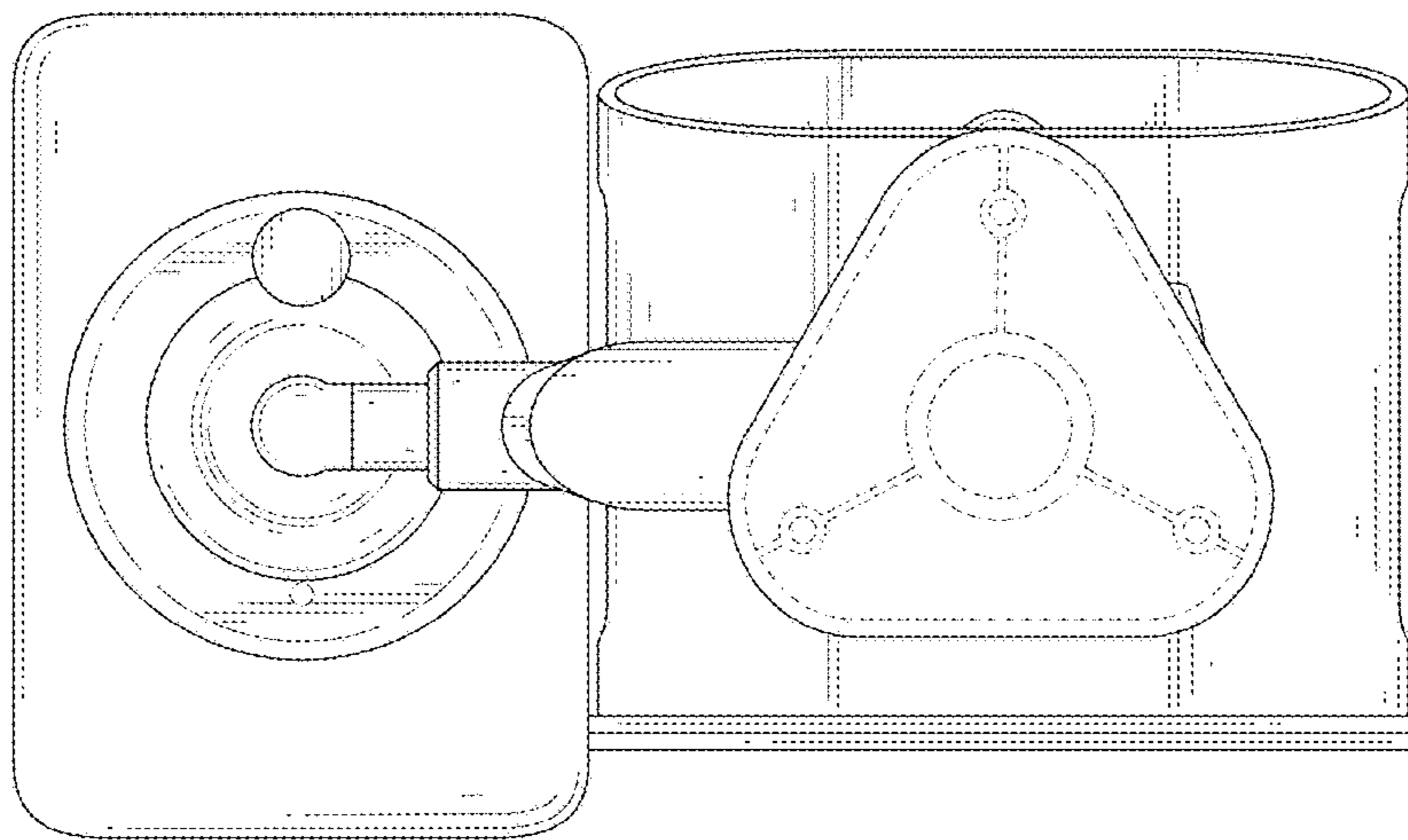


FIG. 8