



US00D856563S

(12) **United States Design Patent**
Ernst

(10) **Patent No.:** **US D856,563 S**

(45) **Date of Patent:** **** Aug. 13, 2019**

(54) **SPOTLIGHT**

(71) Applicant: **Colour-LED Wireless Lights Limited**,
Shenzhen (CN)

(72) Inventor: **Norbert Ernst**, Kleinich (DE)

(73) Assignee: **COLOUR-LED WIRELESS LIGHTS LIMITED**, Shenzhen (CN)

(**) Term: **15 Years**

(21) Appl. No.: **29/610,748**

(22) Filed: **Jul. 14, 2017**

(30) **Foreign Application Priority Data**

Mar. 31, 2017 (CN) 2017 3 0104104

(51) **LOC (12) Cl.** **26-03**

(52) **U.S. Cl.**
USPC **D26/63**

(58) **Field of Classification Search**

USPC D26/1, 24, 61, 63, 65, 85, 92

CPC F21V 21/14; F21V 15/01; F21V 14/02;

F21V 21/30; F21V 21/00; F21V 14/00;

F21V 21/06; F21S 8/00; F21S 8/003;

F21S 8/043; F21Y 2105/001

See application file for complete search history.

(56) **References Cited**

U.S. PATENT DOCUMENTS

D436,679 S * 1/2001 Leen D26/65

D451,226 S * 11/2001 Leen D26/63

D482,152 S * 11/2003 Hussaini F21L 14/00
D26/63

7,387,412 B2 * 6/2008 Tsai F21V 21/06
248/176.1

D779,094 S * 2/2017 Xu D26/63

* cited by examiner

Primary Examiner — Brian N. Vinson

(74) *Attorney, Agent, or Firm* — Hauptman Ham, LLP

(57) **CLAIM**

A new, original, ornamental design for a spotlight, as shown.

DESCRIPTION

FIG. 1 is a front view of the spotlight;

FIG. 2 is a back view thereof;

FIG. 3 is a left view thereof;

FIG. 4 is a right view thereof;

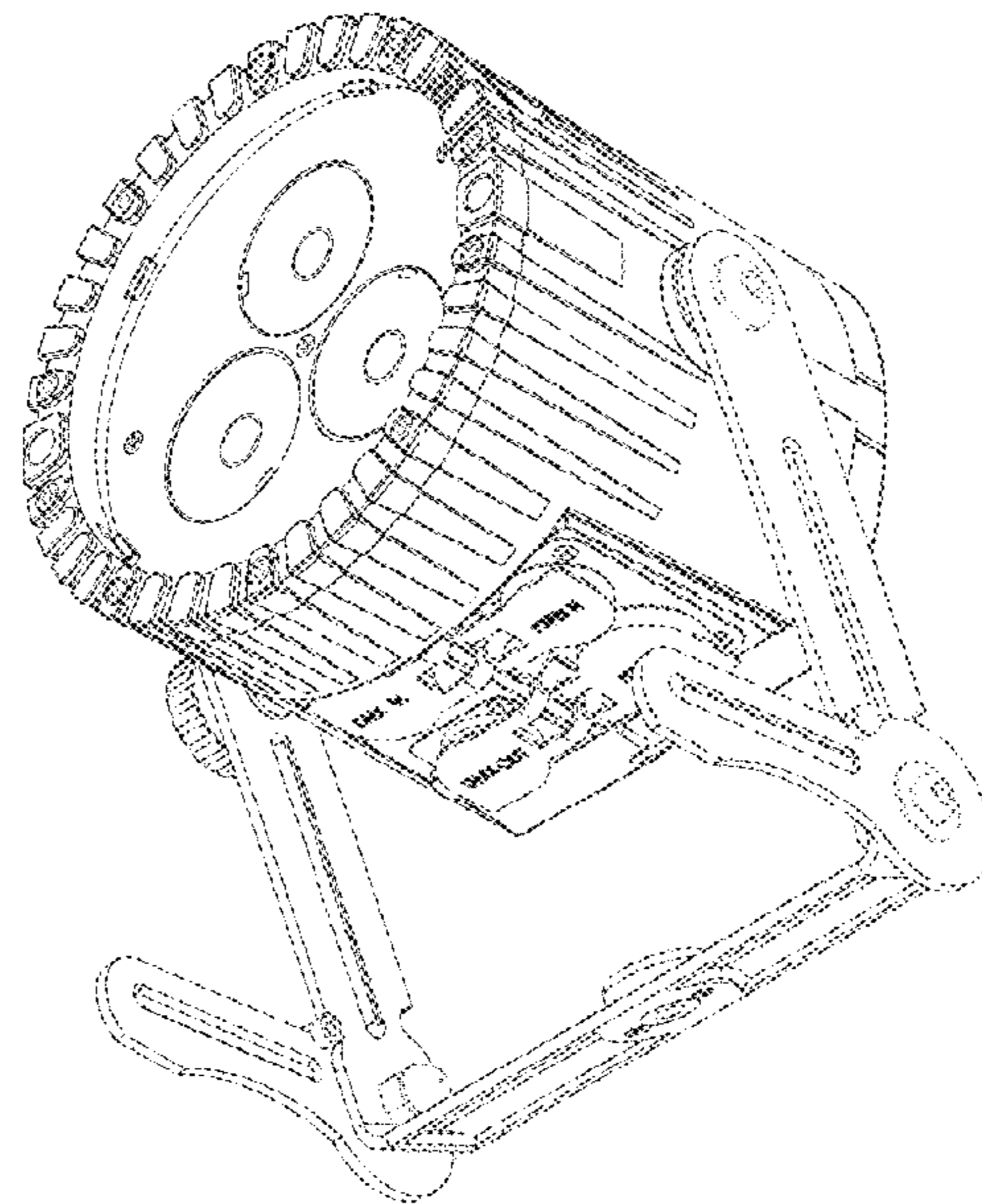
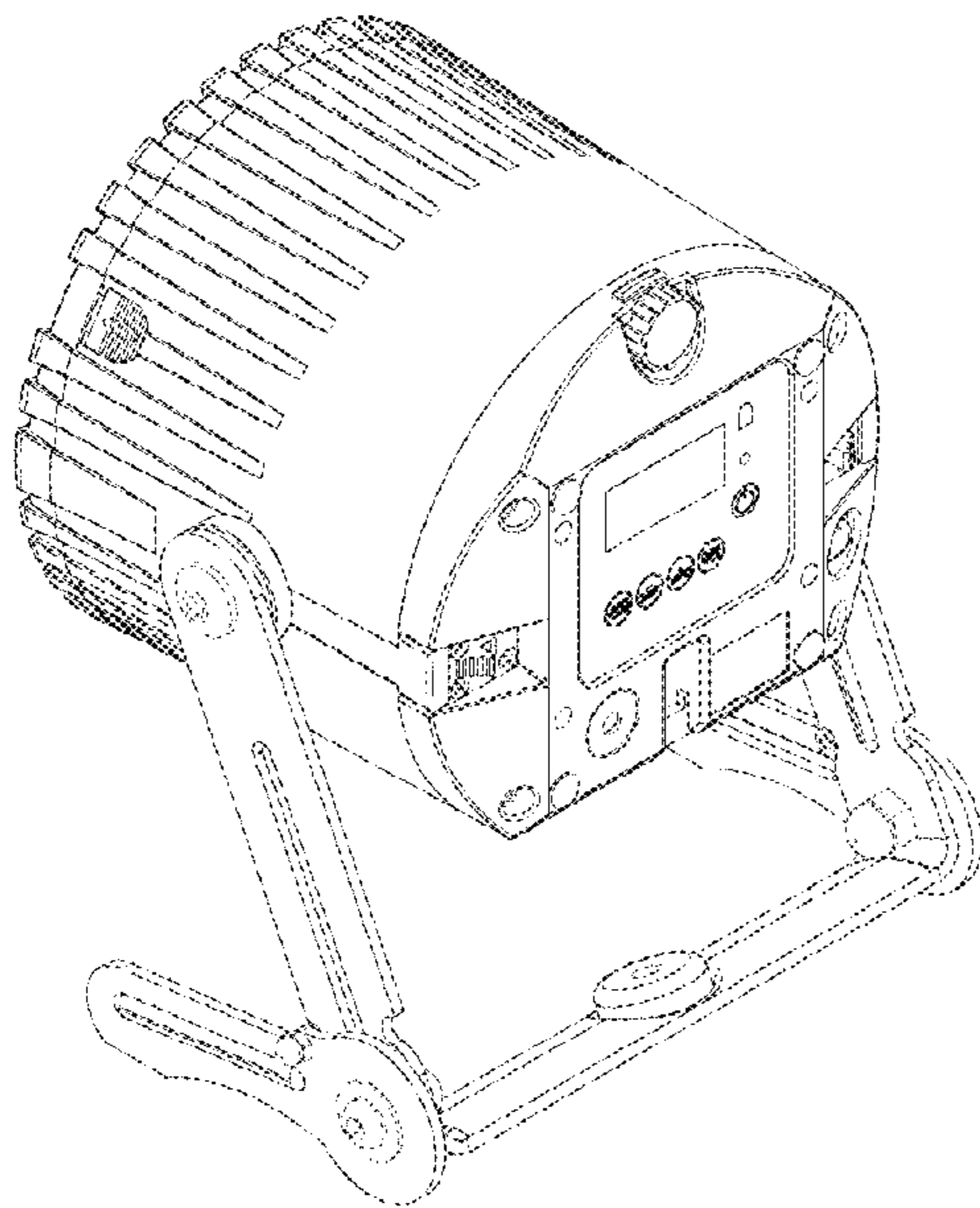
FIG. 5 is a top view thereof;

FIG. 6 is a bottom view thereof;

FIG. 7 is rear perspective view thereof; and,

FIG. 8 is a front perspective view thereof.

1 Claim, 2 Drawing Sheets



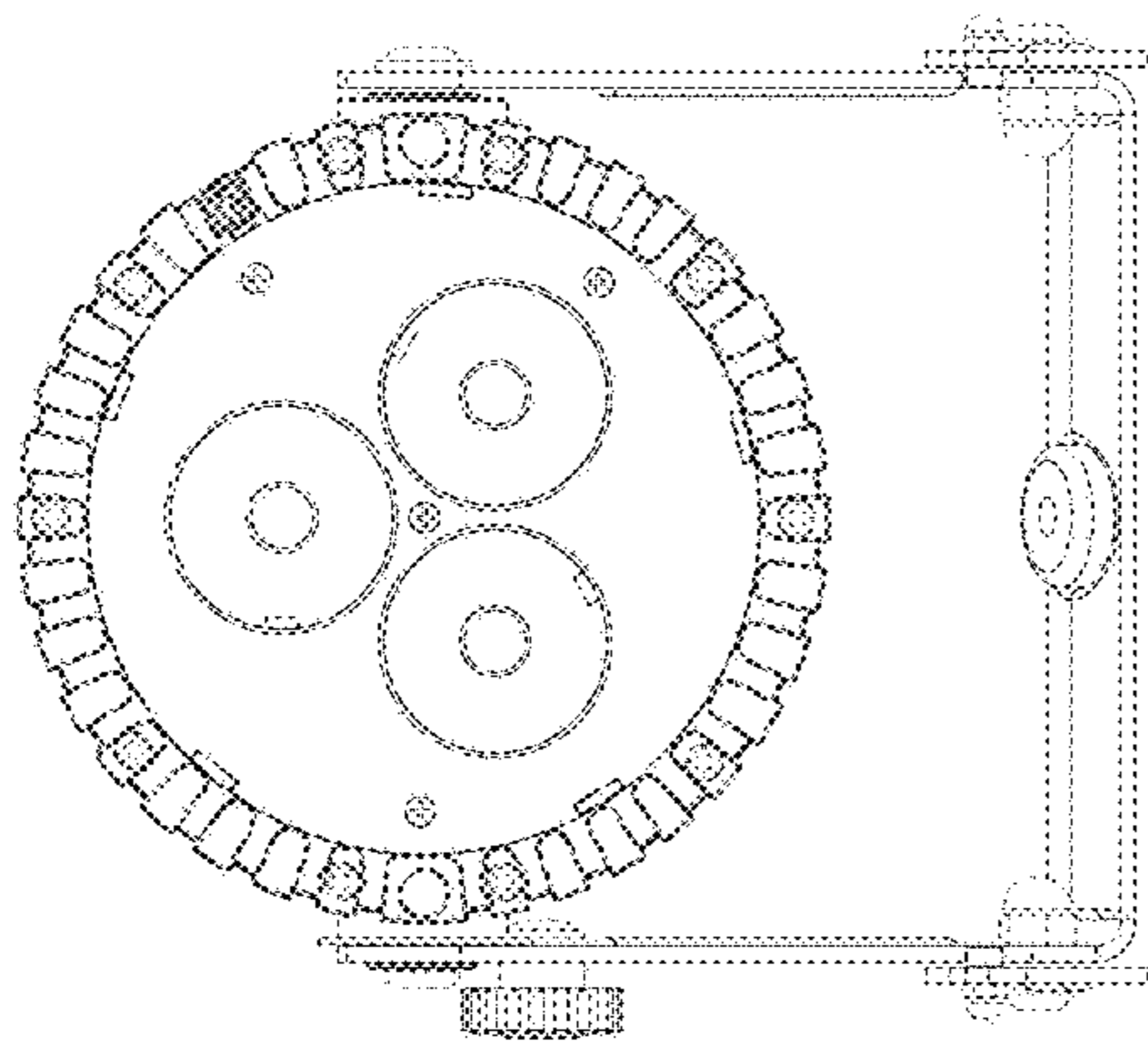


FIG. 1

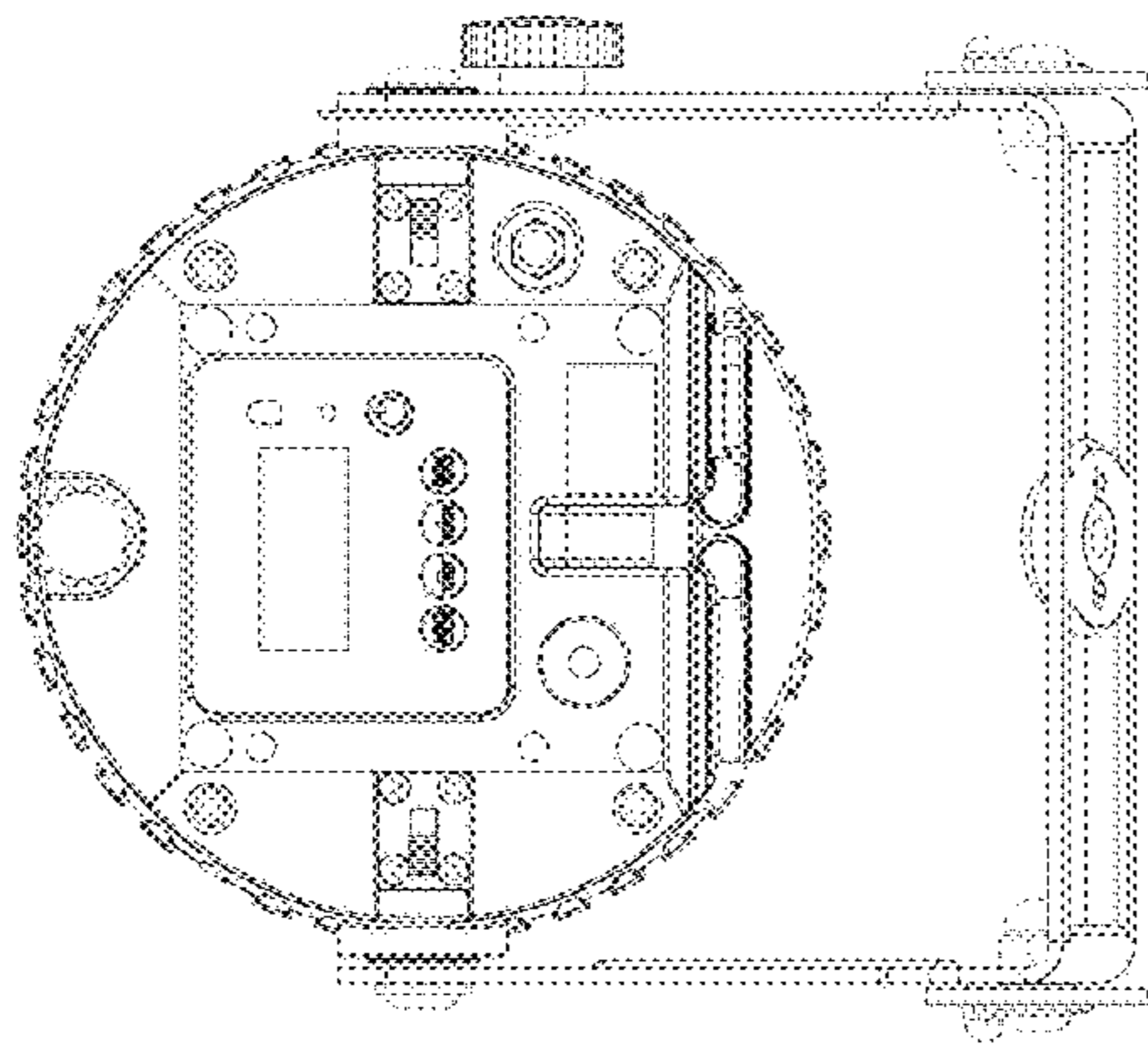


FIG. 2

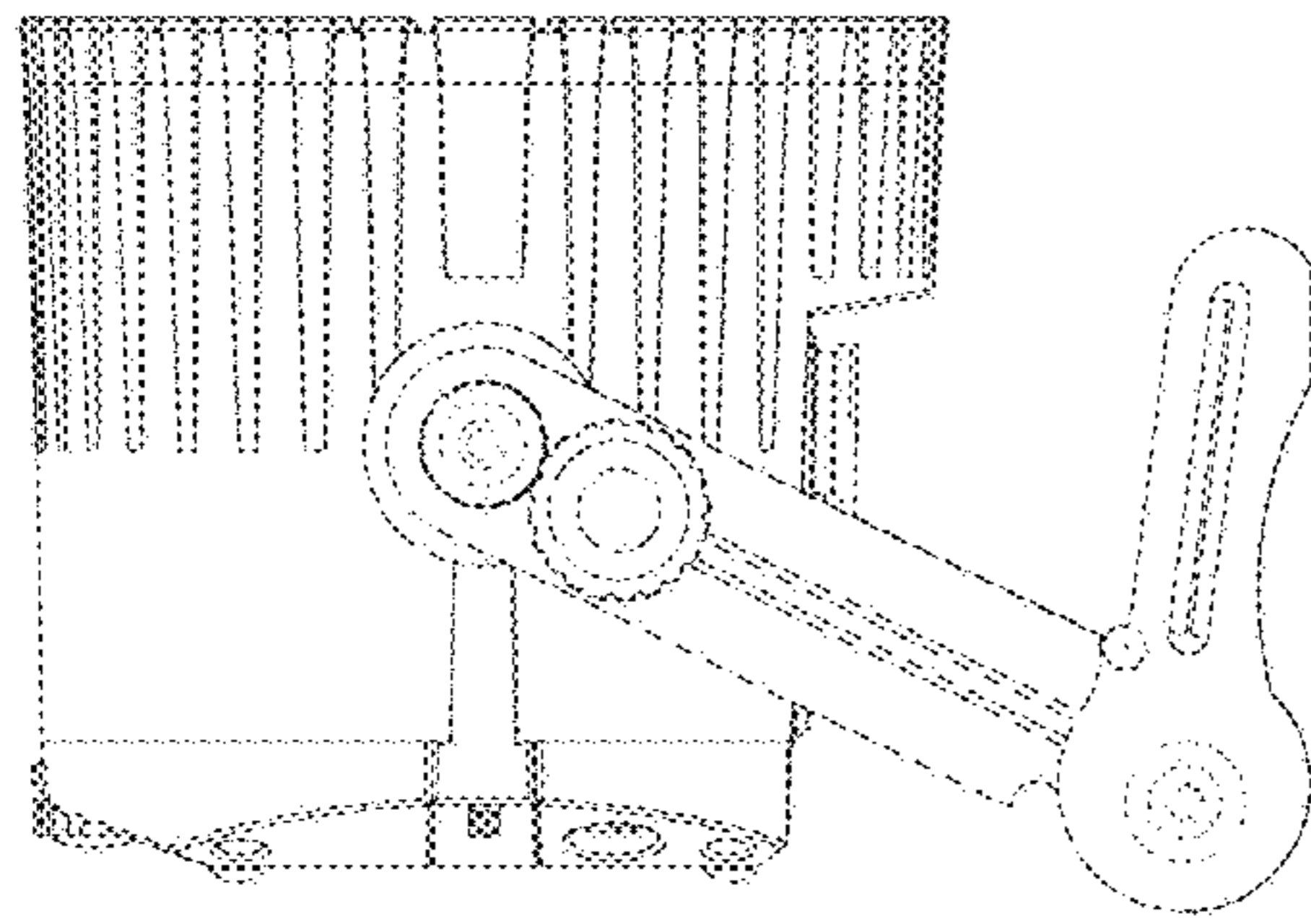


FIG. 3

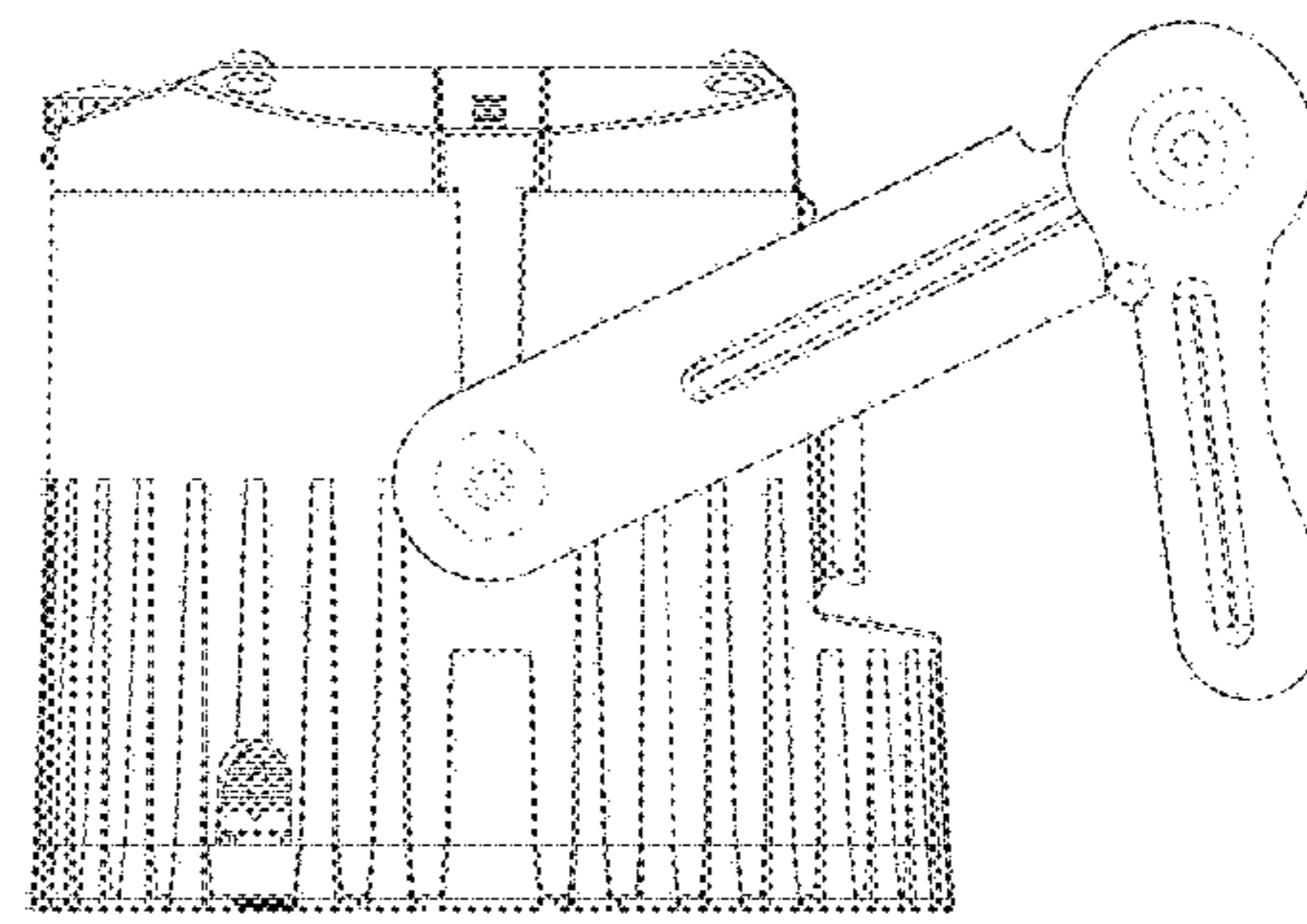


FIG. 4

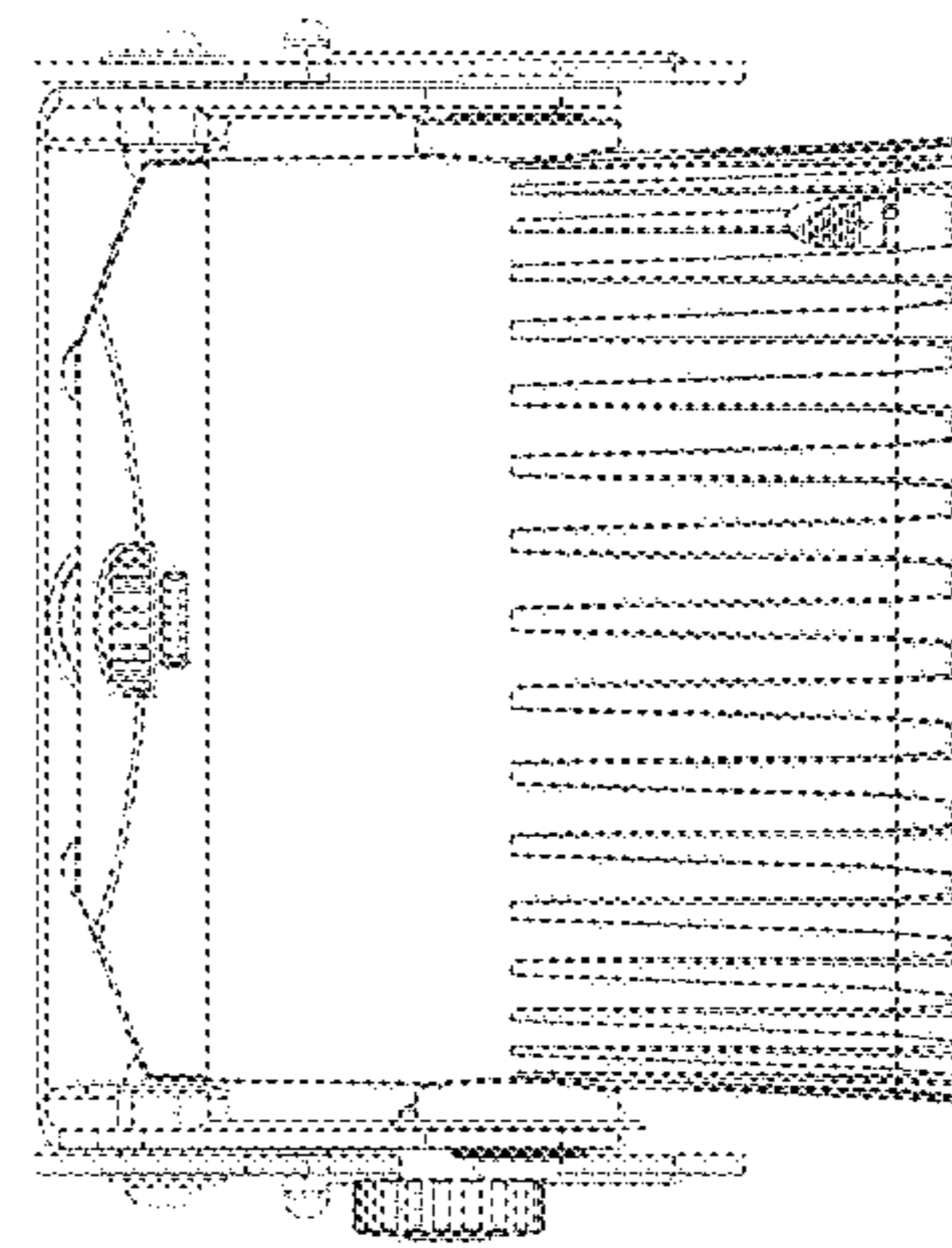


FIG. 5

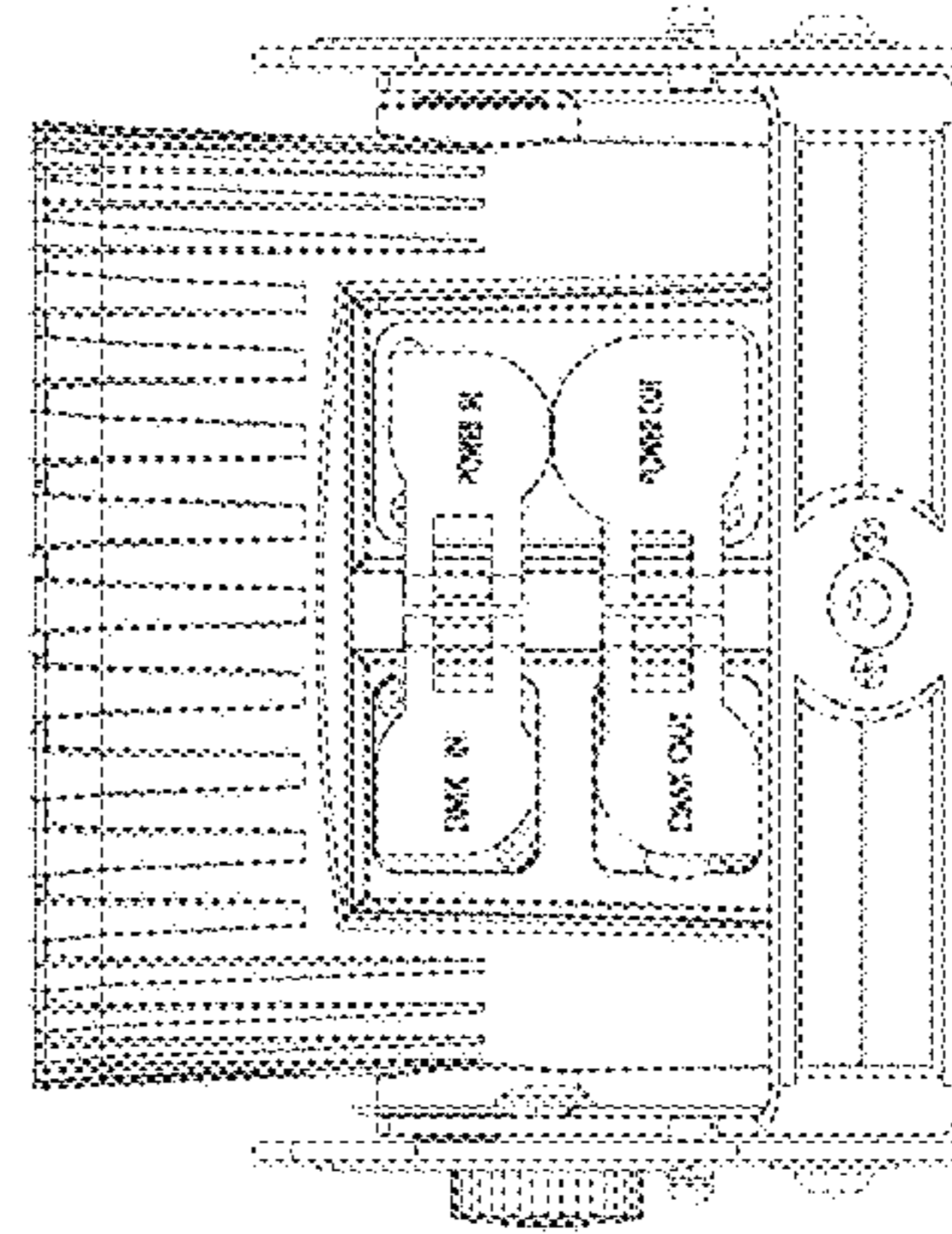


FIG. 6

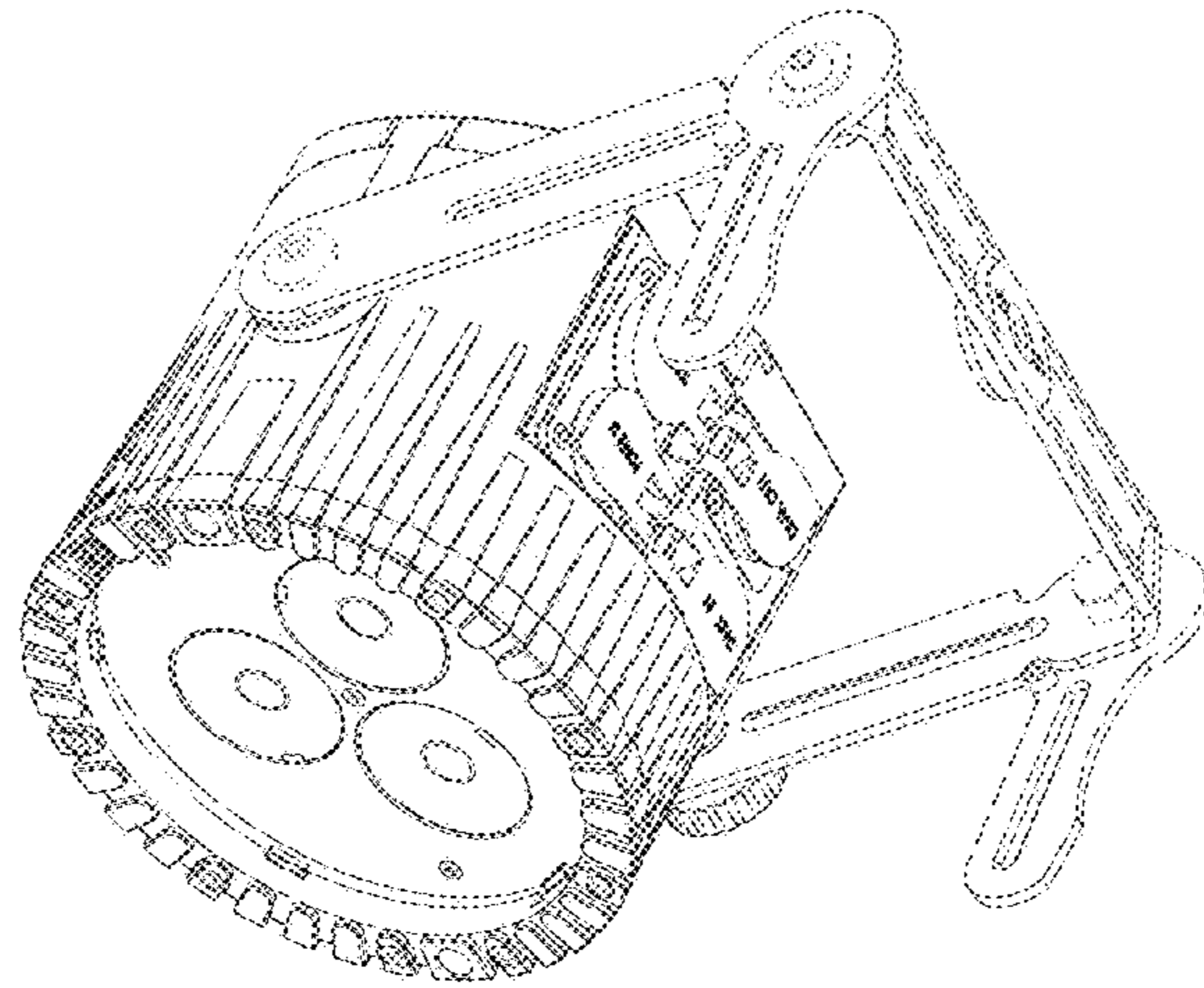


FIG. 8

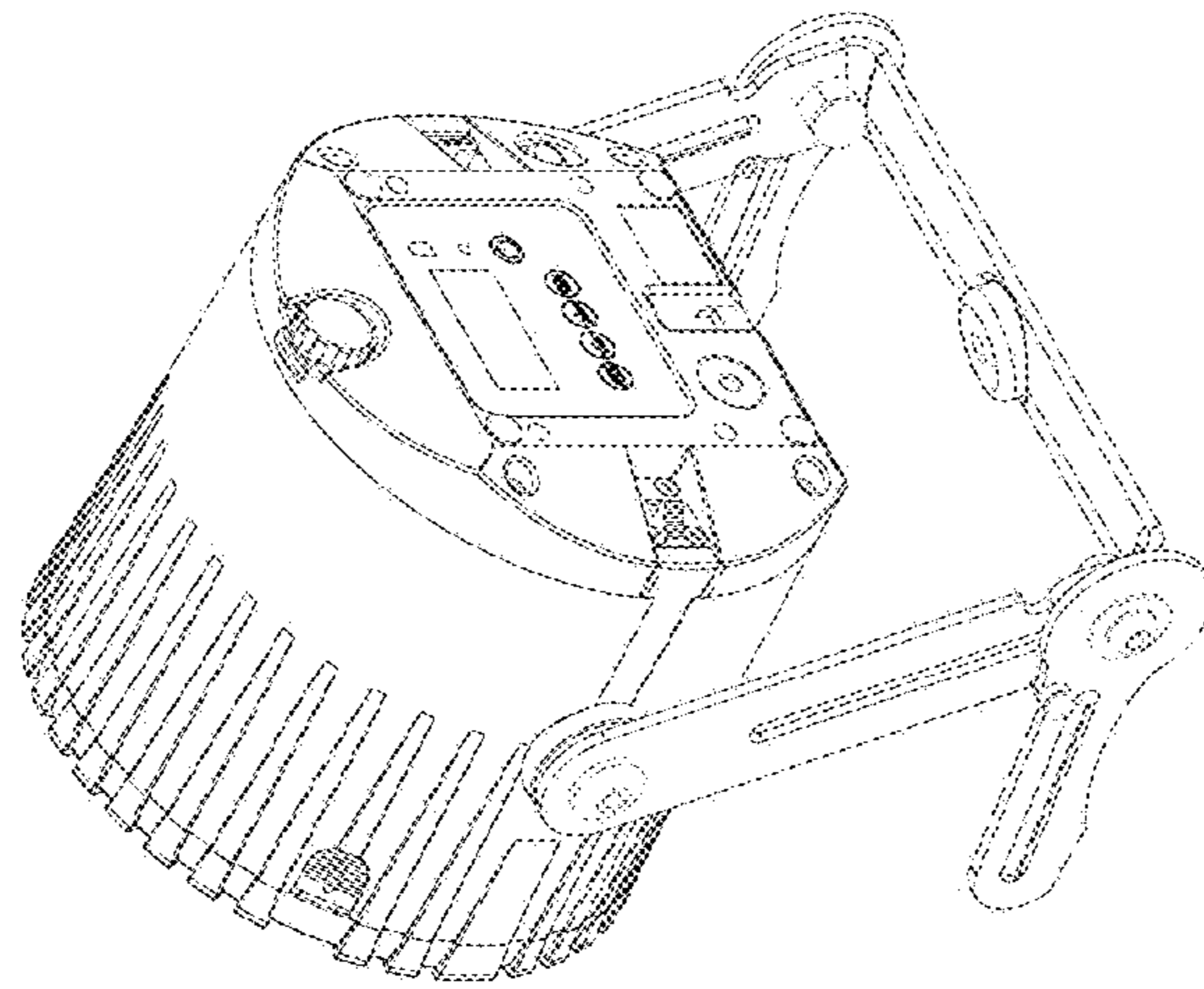


FIG. 7