



US00D856561S

(12) **United States Design Patent**
Menjor

(10) **Patent No.:** **US D856,561 S**

(45) **Date of Patent:** **** Aug. 13, 2019**

(54) **BAG INTERIOR ILLUMINATION DEVICE**

(71) Applicant: **Francis Menjor**, Decatur, GA (US)

(72) Inventor: **Francis Menjor**, Decatur, GA (US)

(**) Term: **15 Years**

(21) Appl. No.: **29/578,655**

(22) Filed: **Sep. 23, 2016**

(51) **LOC (12) Cl.** **26-02**

(52) **U.S. Cl.**
USPC **D26/37**

(58) **Field of Classification Search**
USPC D26/37-51, 35
CPC F21V 33/00; F21V 14/025; F21V 21/406;
F21Y 2101/02; F21L 2003/00; F21L
2005/00; F21L 2/00; F21L 4/00; F21L
4/005; F21L 17/00; F21L 13/08
See application file for complete search history.

(56) **References Cited**

U.S. PATENT DOCUMENTS

D102,634 S *	1/1937	Korshin	D26/35
D109,426 S *	4/1938	Sauer	359/543
D127,676 S *	6/1941	Dover	D10/111
4,015,112 A	3/1977	Castaldo		
D424,725 S *	5/2000	Cousins	D26/37
D434,161 S *	11/2000	Fritzinger	D26/35
D464,454 S *	10/2002	Suzuki	D26/40
D467,372 S *	12/2002	Lee	D26/35
D504,411 S *	4/2005	Lam	D14/168
D511,851 S *	11/2005	Tai	F21L 4/02
				D26/38
D512,169 S *	11/2005	Yuen	D26/46
D543,533 S *	5/2007	Yuen	D14/170
D563,002 S *	2/2008	Irizarry	D26/37
D568,513 S *	5/2008	Li	D26/40
D569,536 S *	5/2008	Henderson	D26/37
D605,321 S *	12/2009	Schupp	D26/40

D606,688 S *	12/2009	Ma	D26/46
D699,874 S *	2/2014	Chilton	D26/37
D705,467 S *	5/2014	Aglassinger	D26/41
D718,480 S *	11/2014	Lee	D26/41
D722,715 S *	2/2015	Biegler	D26/37
D761,486 S *	7/2016	Afshar	D26/121
9,941,731 B1 *	4/2018	Waters-Murphy	H02J 7/025
D821,621 S *	6/2018	Noble	D26/51
2006/0096681 A1 *	5/2006	Khubani	A45C 13/004
				150/113
2006/0146521 A1	7/2006	Despeines		
2006/0227538 A1	10/2006	Williams		
2011/0170282 A1	7/2011	Munoz		
2012/0212940 A1	8/2012	Leuty		
2014/0291556 A1 *	10/2014	Bowers	F21L 4/00
				250/504 R

(Continued)

Primary Examiner — Lakiya G Rogers
Assistant Examiner — Carissa C Fitts

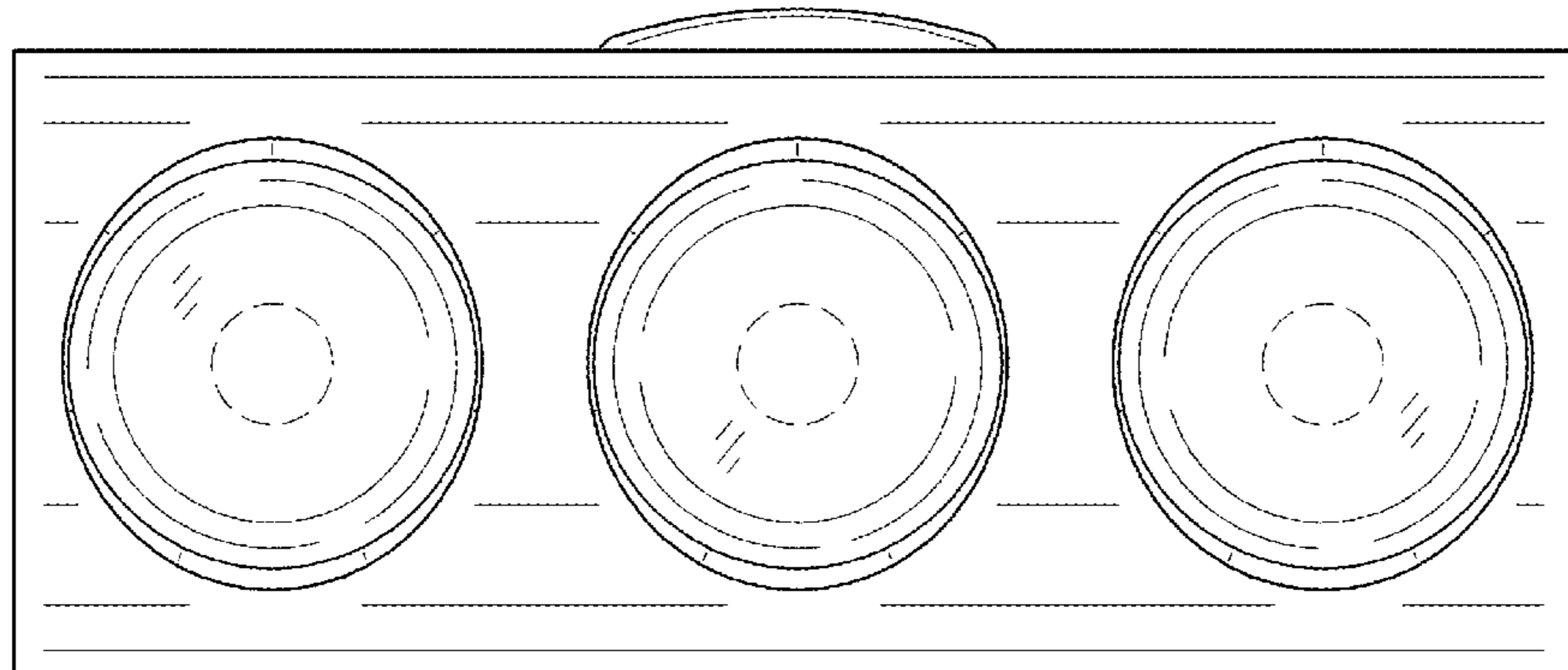
(57) **CLAIM**

The ornamental design for a bag interior illumination device, as shown and described.

DESCRIPTION

FIG. 1 is a front view of a bag interior illumination device showing my new design;
FIG. 2 is a rear view of the bag interior illumination device;
FIG. 3 is a left side view of the bag interior illumination device;
FIG. 4 is a right side view of the bag interior illumination device;
FIG. 5 is a top view of the bag interior illumination device; and,
FIG. 6 is a bottom view of the bag interior illumination device.
The broken lines portions of the article which form no part of the claimed design.

1 Claim, 4 Drawing Sheets



(56)

References Cited

U.S. PATENT DOCUMENTS

2015/0136785 A1* 5/2015 Tso A45C 13/02
220/528
2017/0273418 A1* 9/2017 Chatman A45C 15/06

* cited by examiner

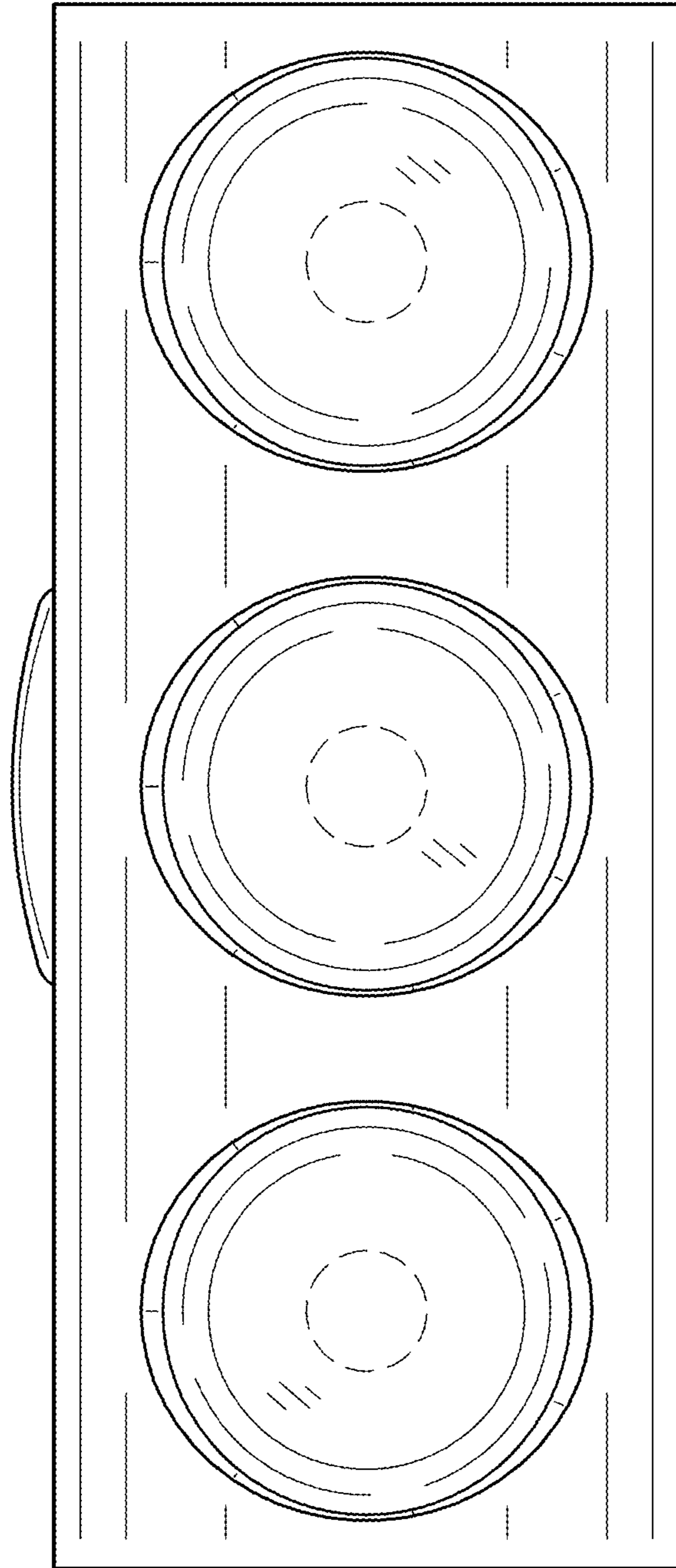


FIG. 1

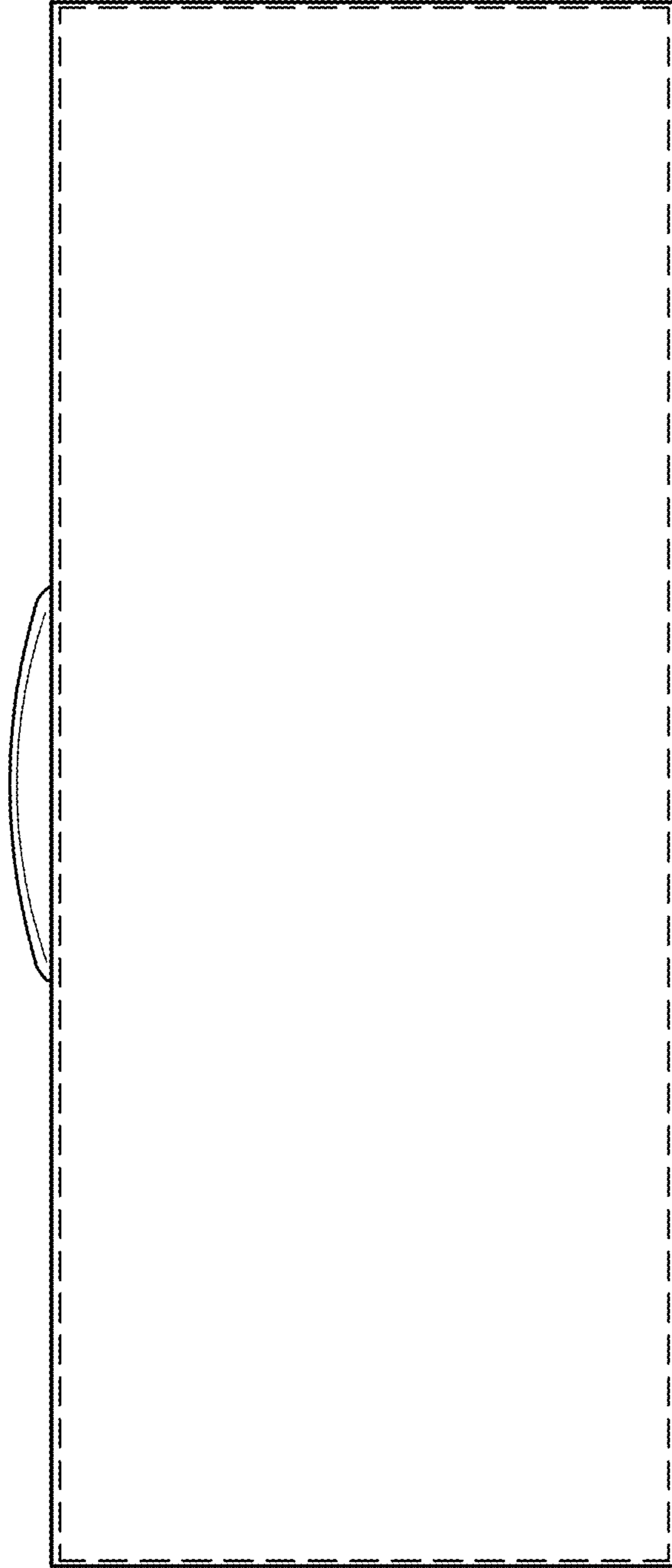


FIG. 2

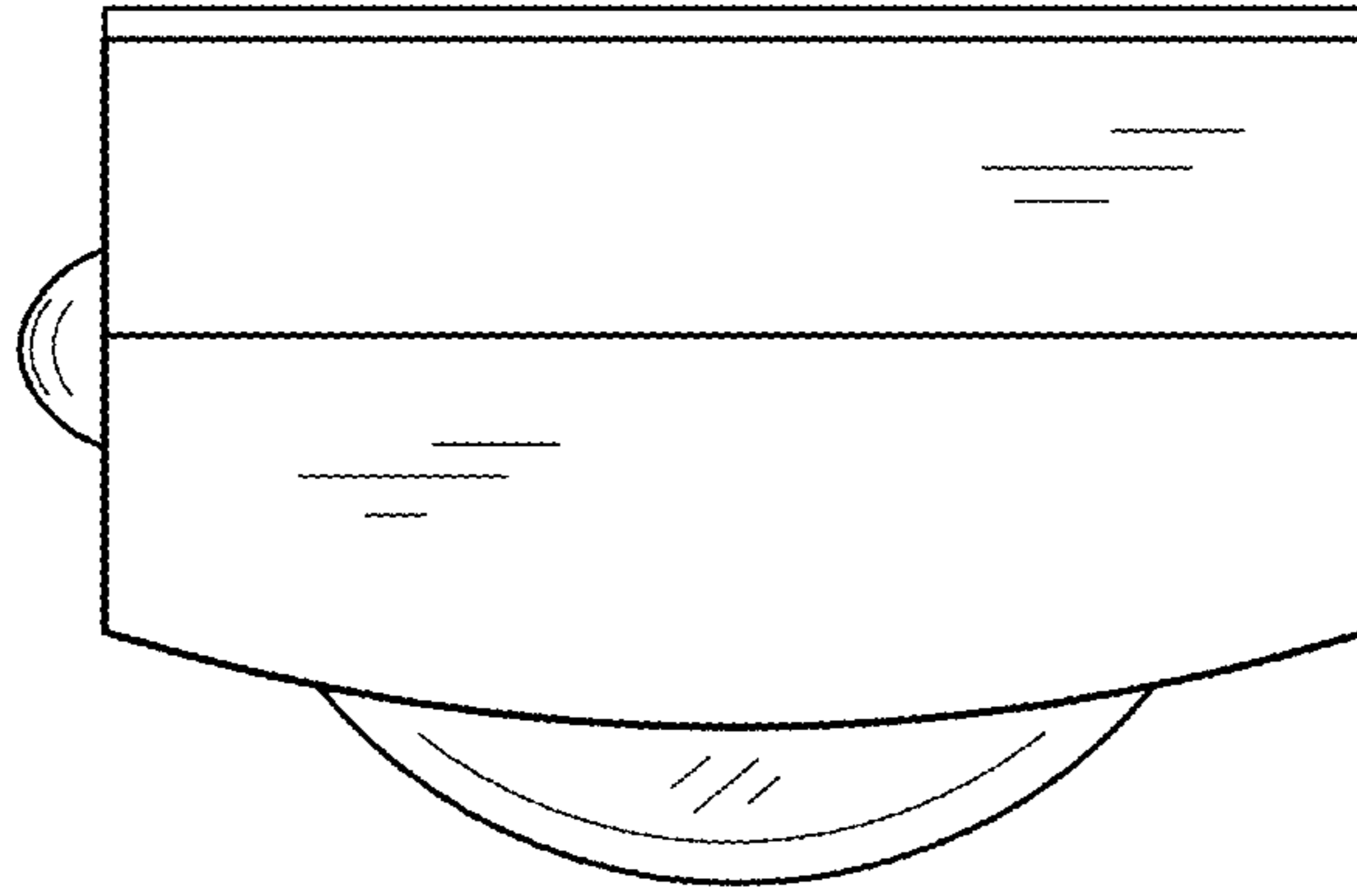


FIG. 4

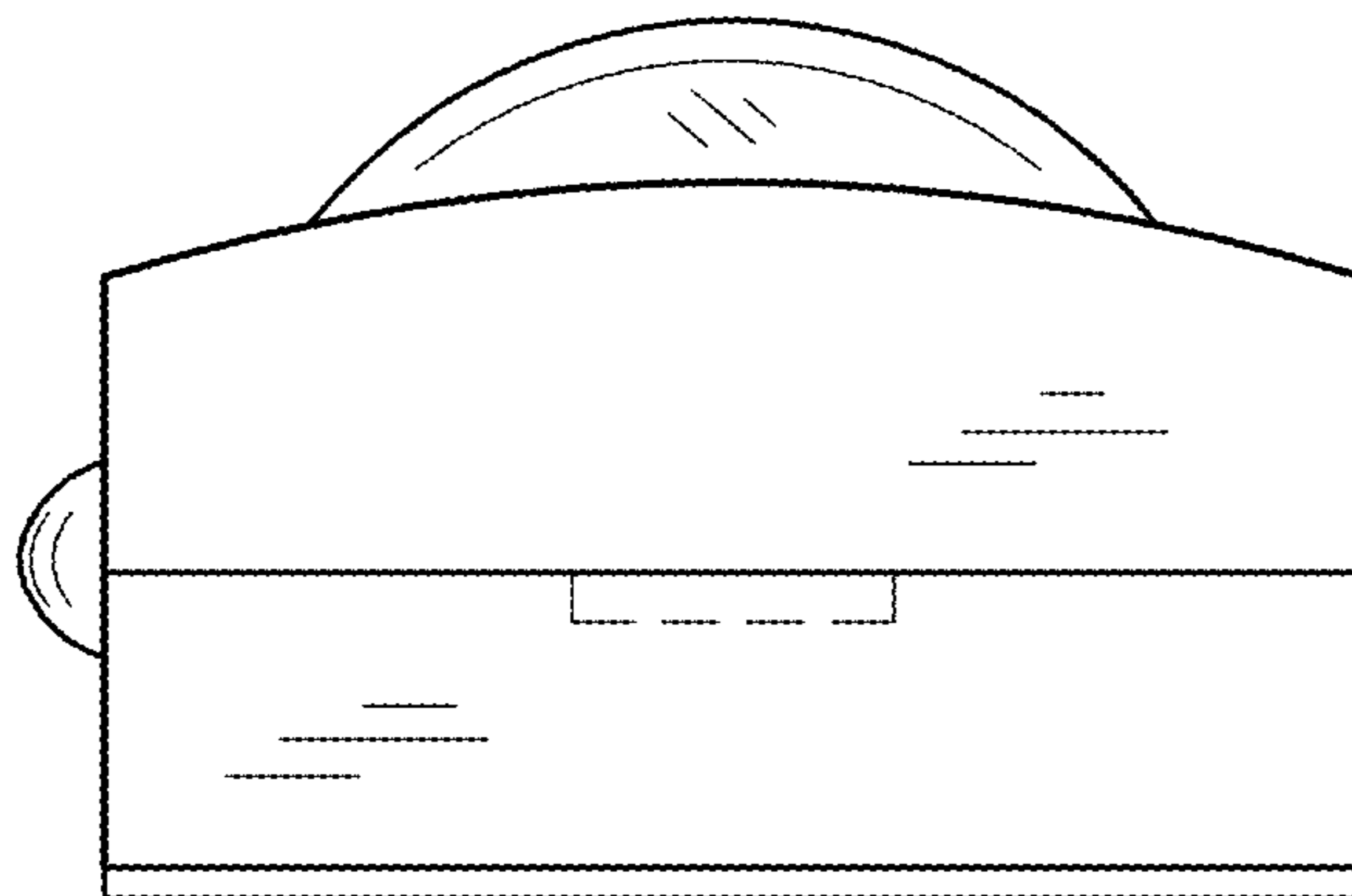


FIG. 3

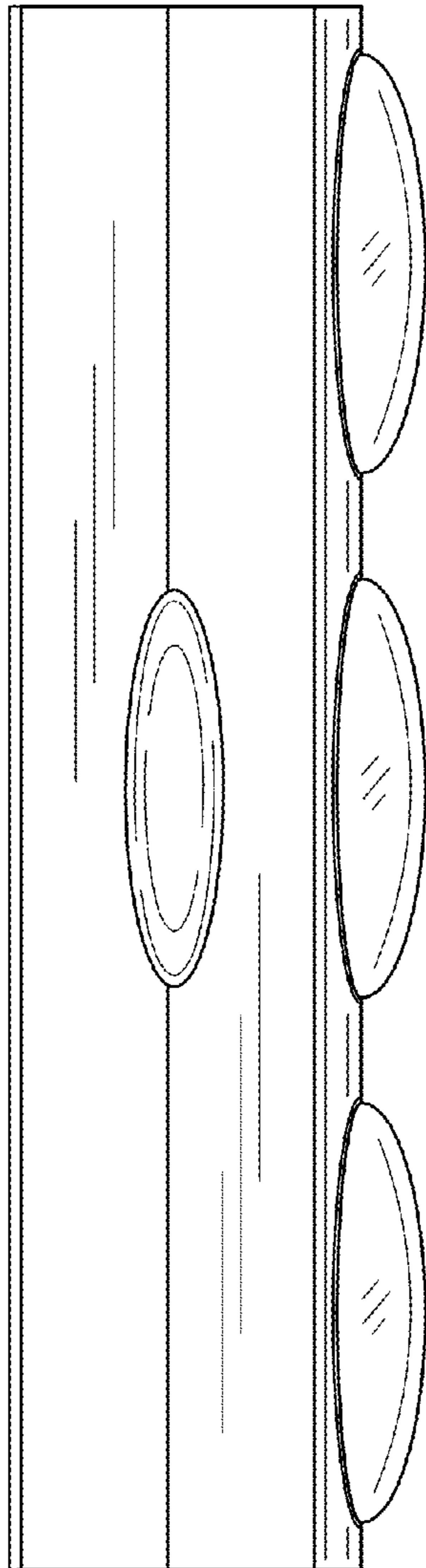


FIG. 5

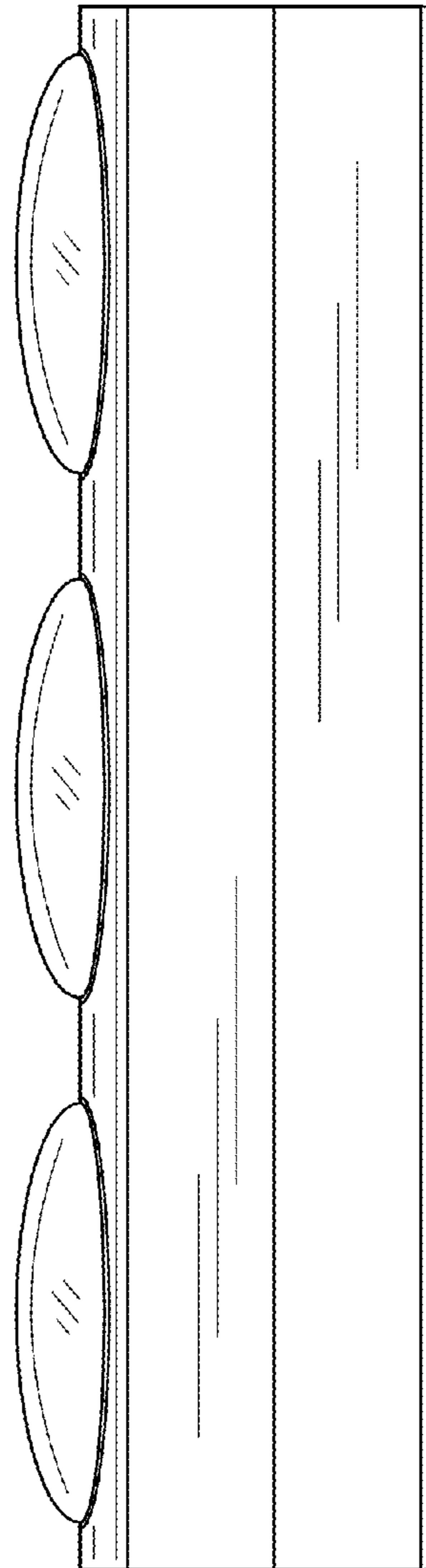


FIG. 6