



US00D856556S

(12) **United States Design Patent** (10) **Patent No.:** **US D856,556 S**  
**Nakajima et al.** (45) **Date of Patent:** **\*\* Aug. 13, 2019**

(54) **HEADLAMP FOR AN AUTOMOBILE**

D672,482 S \* 12/2012 Lee ..... D26/28  
D679,429 S \* 4/2013 Frenzel ..... D26/28  
D708,768 S \* 7/2014 Futschik ..... D26/28

(71) Applicant: **Nissan Motor Co., Ltd.**, Yokohama, Kanagawa (JP)

\* cited by examiner

(72) Inventors: **Takeshi Nakajima**, Kanagawa (JP); **Hiroshi Oda**, Kanagawa (JP); **Junichi Nishikubo**, Kanagawa (JP)

*Primary Examiner* — Marcus A Jackson

(73) Assignee: **Nissan Motor Co., Ltd.**, Yokohama (JP)

(57) **CLAIM**

The ornamental design for a headlamp for an automobile, as shown and described.

(\*\*) Term: **15 Years**

**DESCRIPTION**

(21) Appl. No.: **29/639,165**

FIG. 1 is an outside elevational view of a headlamp for an automobile in accordance with a first embodiment of our new design;

(22) Filed: **Mar. 5, 2018**

FIG. 2 is an inside elevational view thereof;

(30) **Foreign Application Priority Data**

Sep. 6, 2017 (JP) ..... 2017-019332

FIG. 3 is a top plan view thereof;

(51) **LOC (12) Cl.** ..... **26-06**

FIG. 4 is a bottom plan view thereof;

(52) **U.S. Cl.**  
USPC ..... **D26/28**

FIG. 5 is a front side elevational view thereof;

(58) **Field of Classification Search**  
USPC ..... D26/28–36  
CPC ..... F21S 48/00; F21S 48/10; F21S 48/115;  
F21S 48/225; F21S 48/1233; F21S 48/1266; F21S 48/1388; F21S 48/2268;  
F21V 21/04; F21V 13/00; F21V 29/004  
See application file for complete search history.

FIG. 6 is a rear side elevational view thereof; and,

FIG. 7 is a front side perspective view thereof.

The headlamp is configured to be mounted to an automobile. The mounting structure and support structure of the headlamp, shown in broken lines in FIGS. 1 to 7, form no part of the claimed design since the mounting structure and support structure are hidden when the headlamp is mounted to the automobile.

(56) **References Cited**

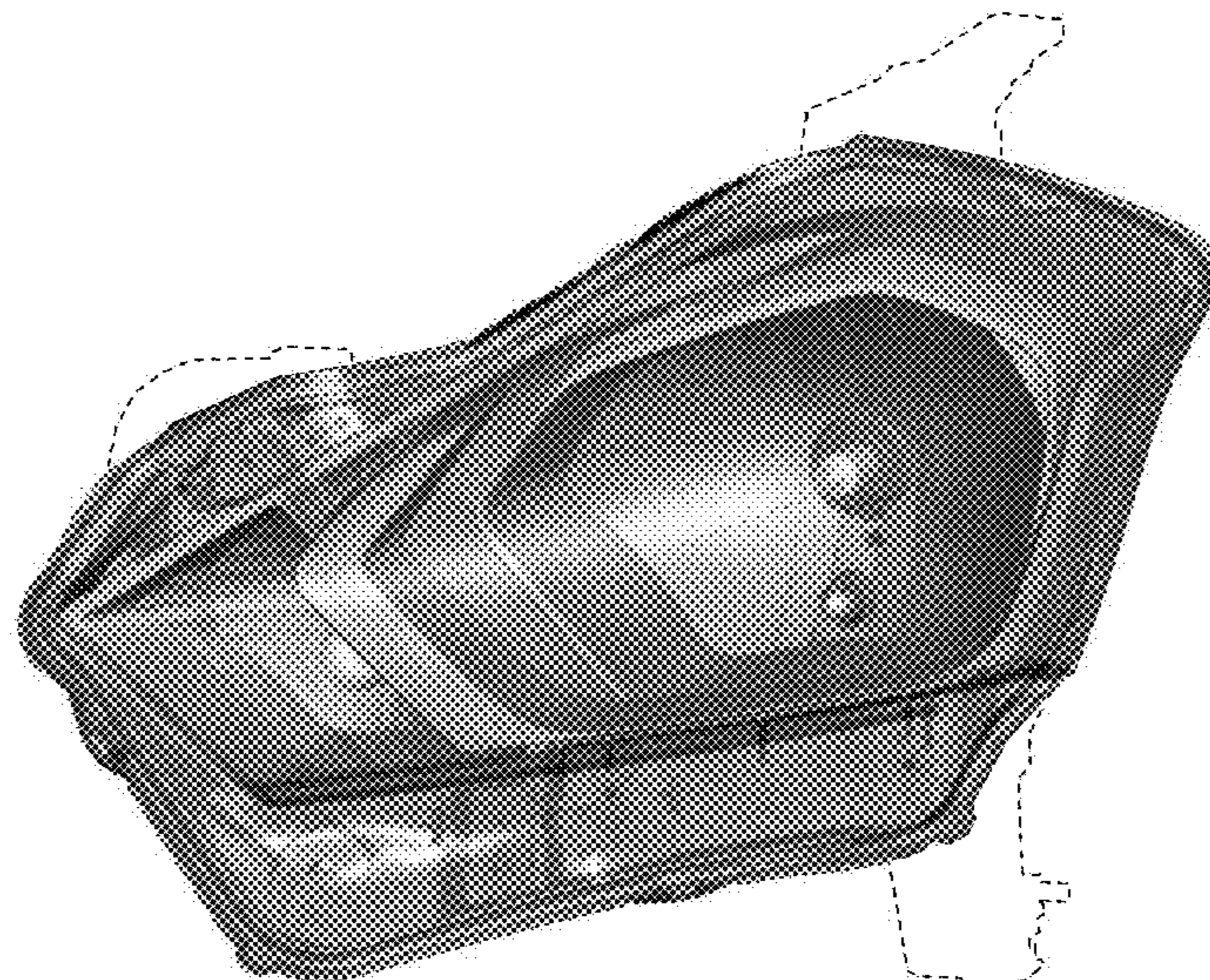
**U.S. PATENT DOCUMENTS**

D560,291 S \* 1/2008 Koyama ..... D26/28  
D660,481 S \* 5/2012 Gotschke ..... D26/28  
D671,248 S \* 11/2012 Fuchigami ..... D26/28

In addition, the appearance of the rear side structures and inside structures of the headlamp as shown in broken lines in FIGS. 1 to 7 is for purpose of illustrating the boundaries of the exterior surface of the outside of the headlamp, and forms no part of the claimed design. The headlamp has a front lens that is transparent such that features behind the lens are at least partially visible as illustrated.

A second embodiment of our new design includes the mirror image of the headlamp shown in FIGS. 1 to 7.

**1 Claim, 7 Drawing Sheets**



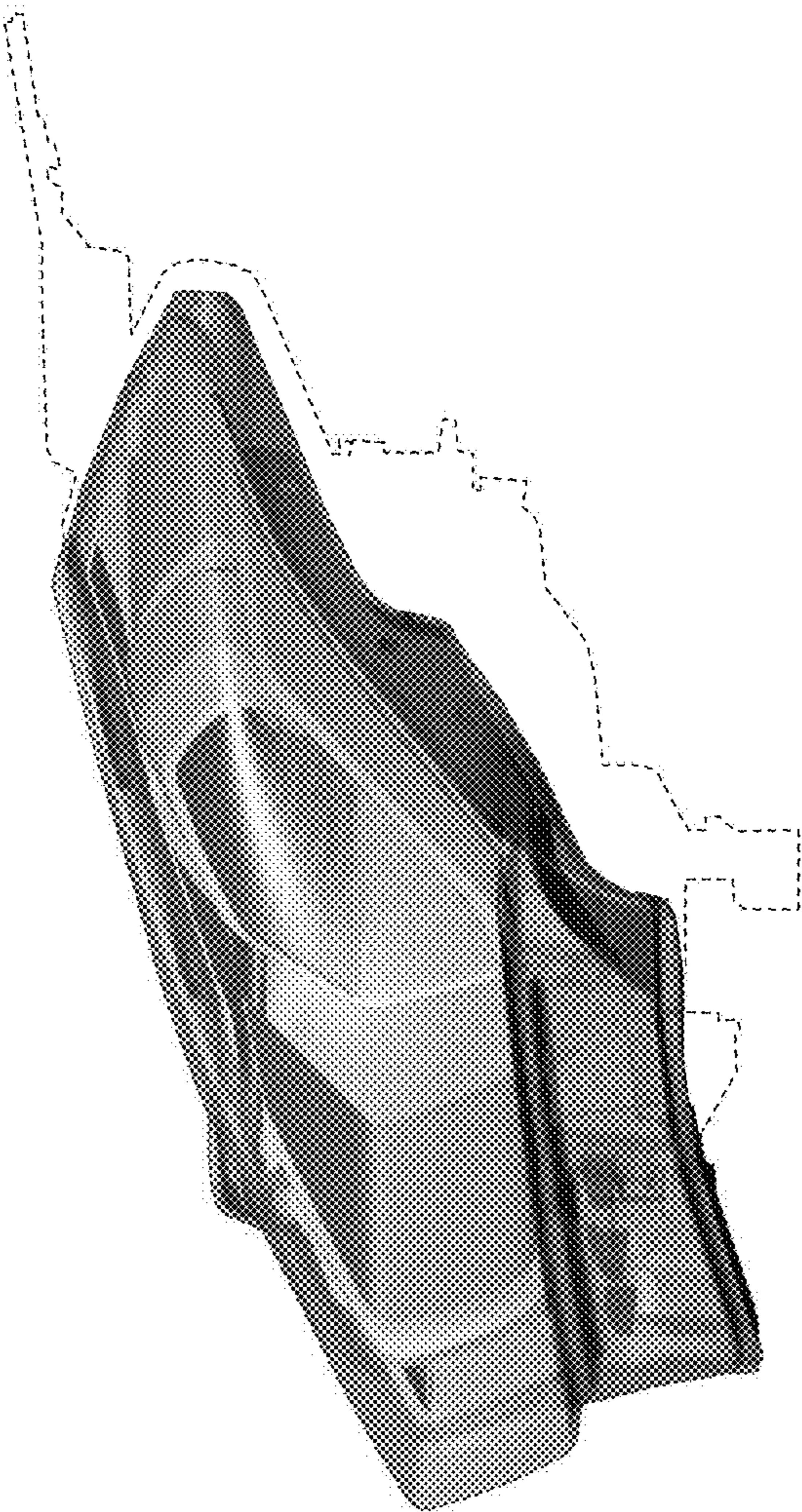


FIG. 1

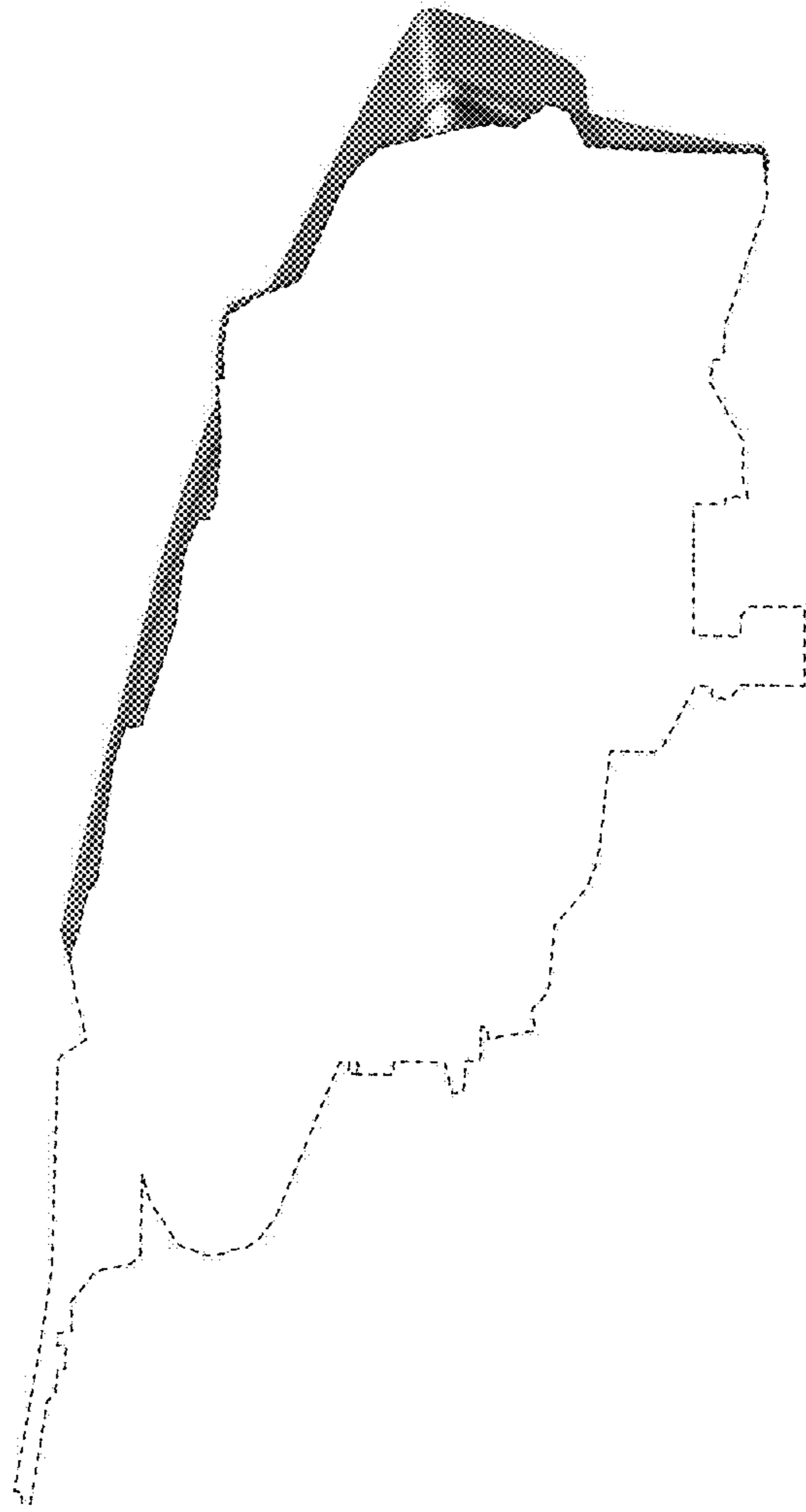


FIG. 2

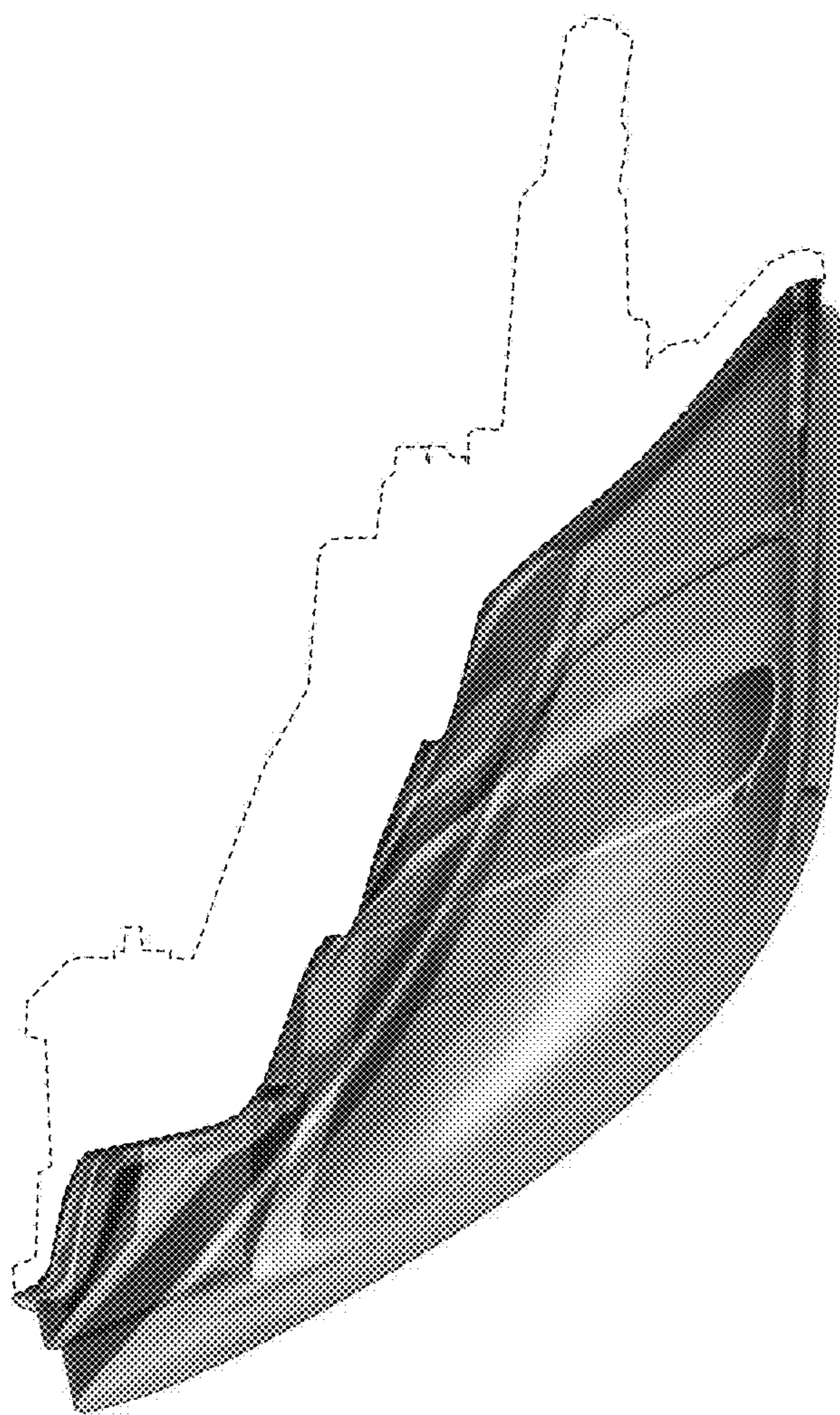


FIG. 3

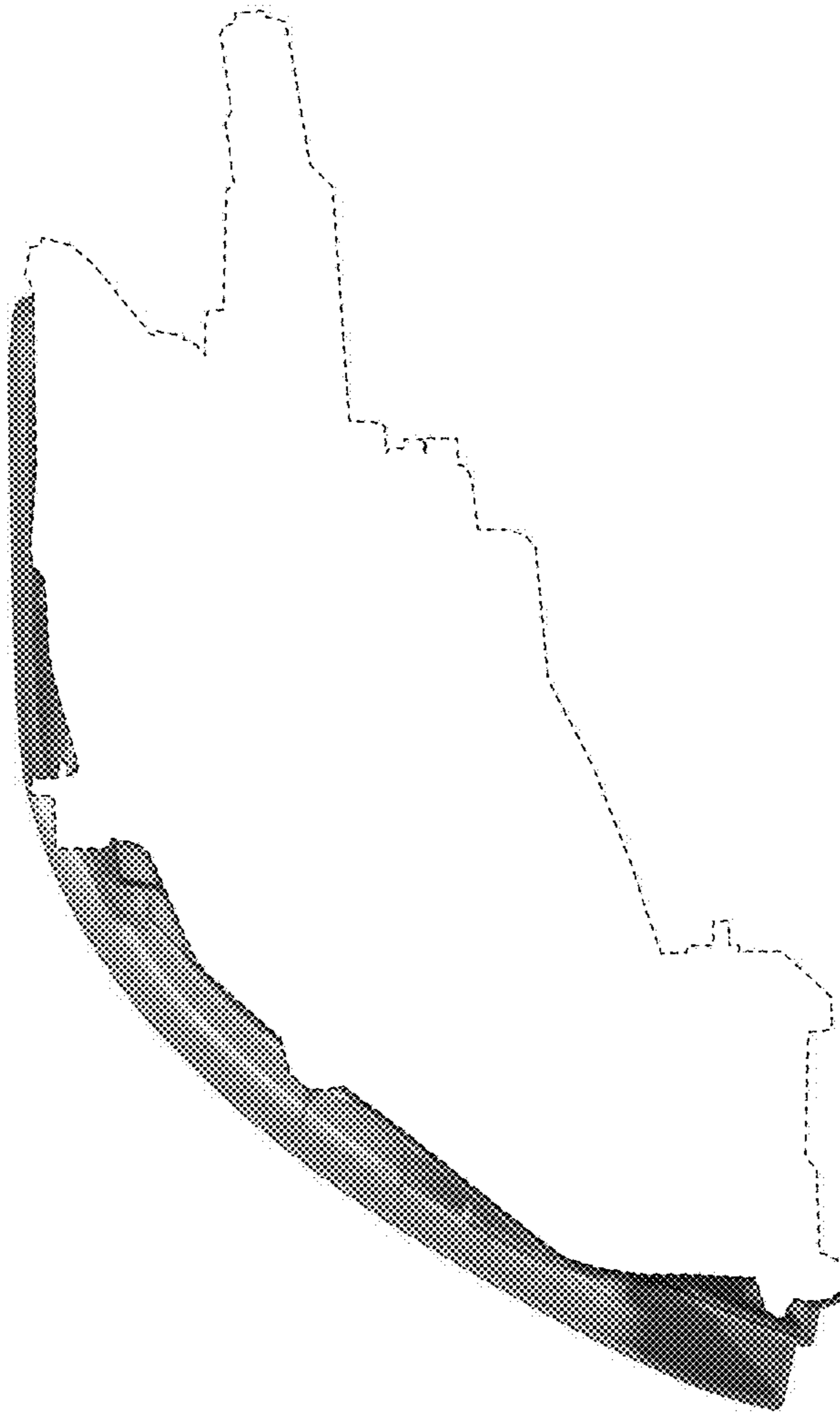


FIG. 4

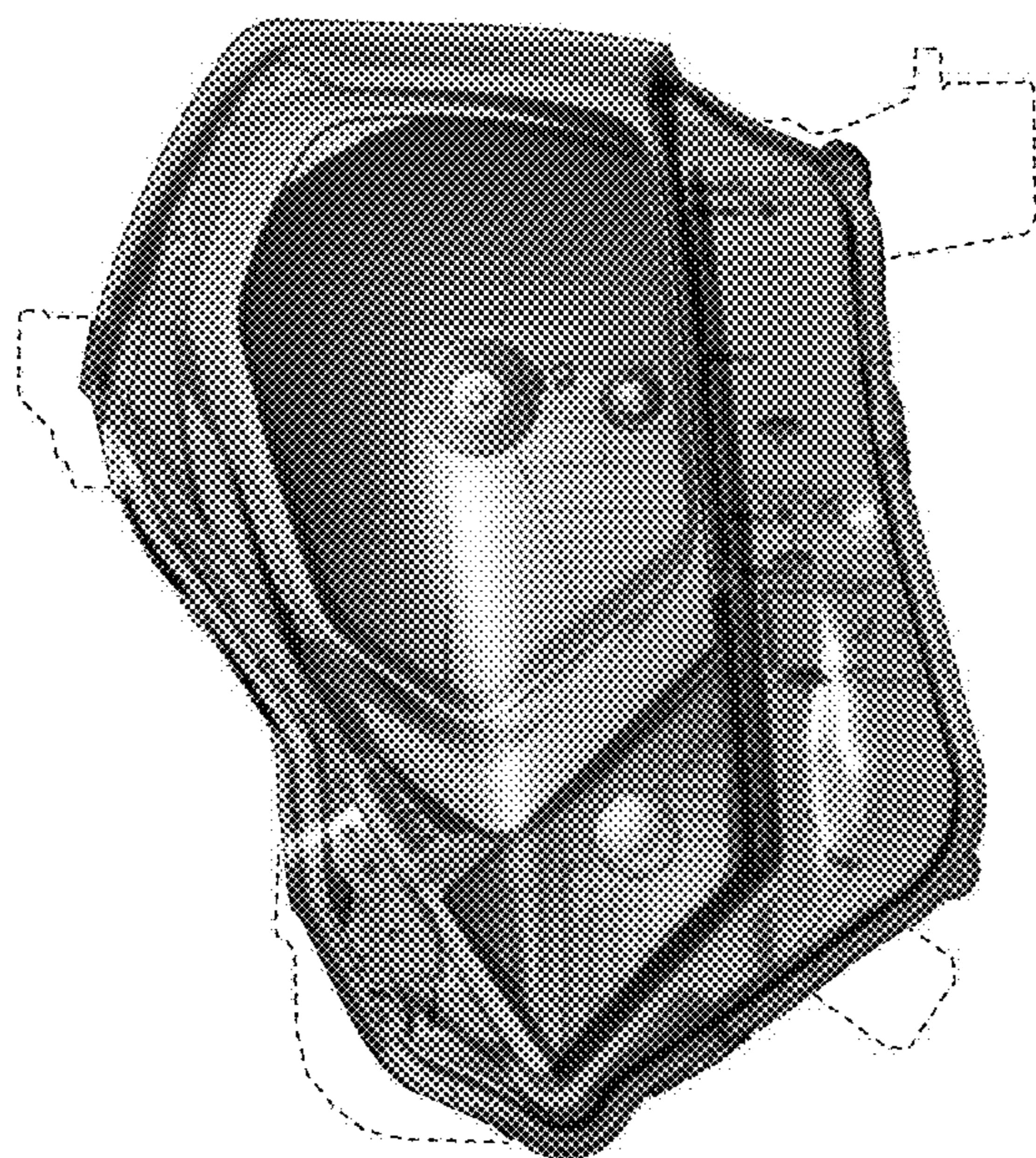


FIG. 5

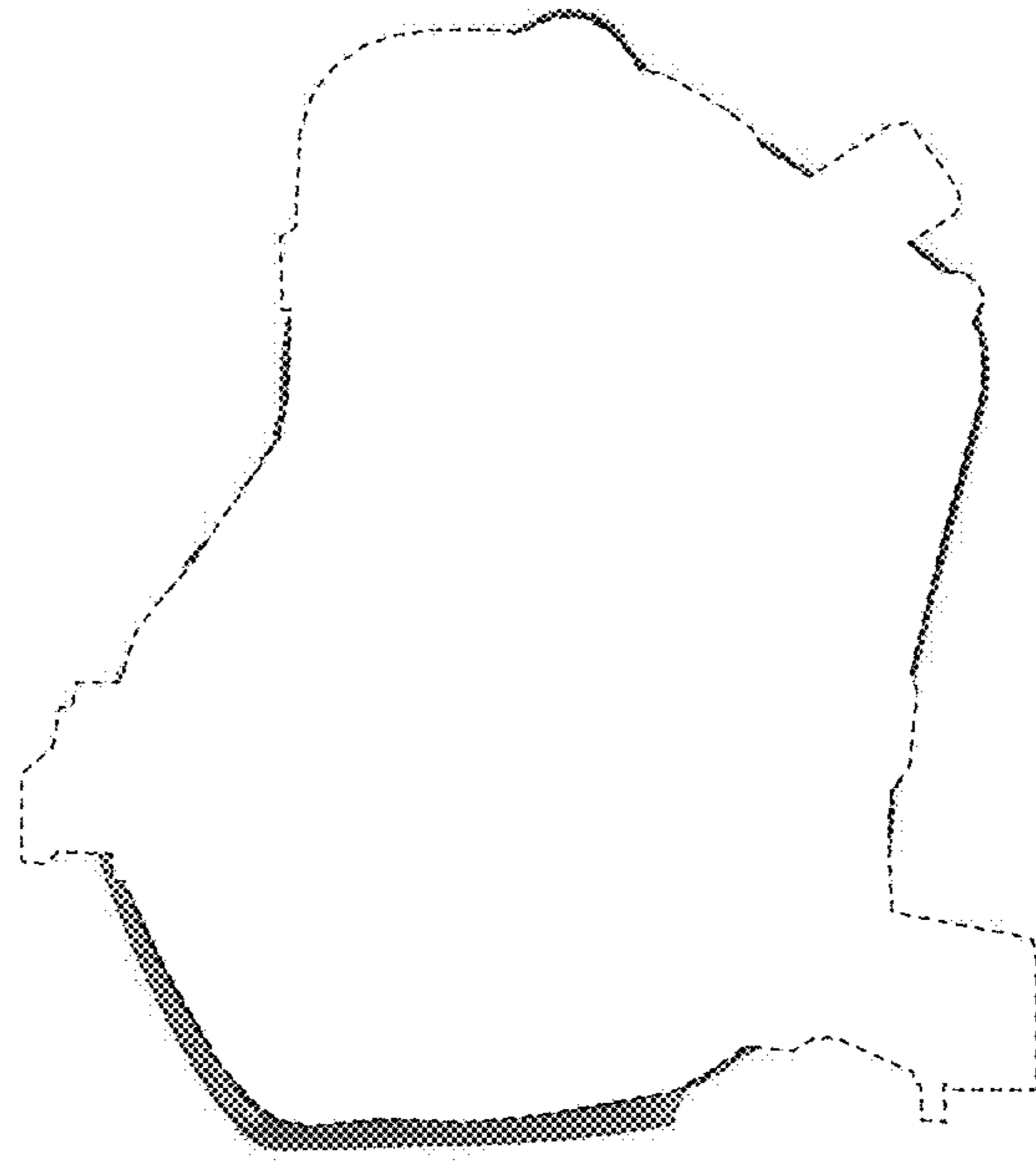


FIG. 6

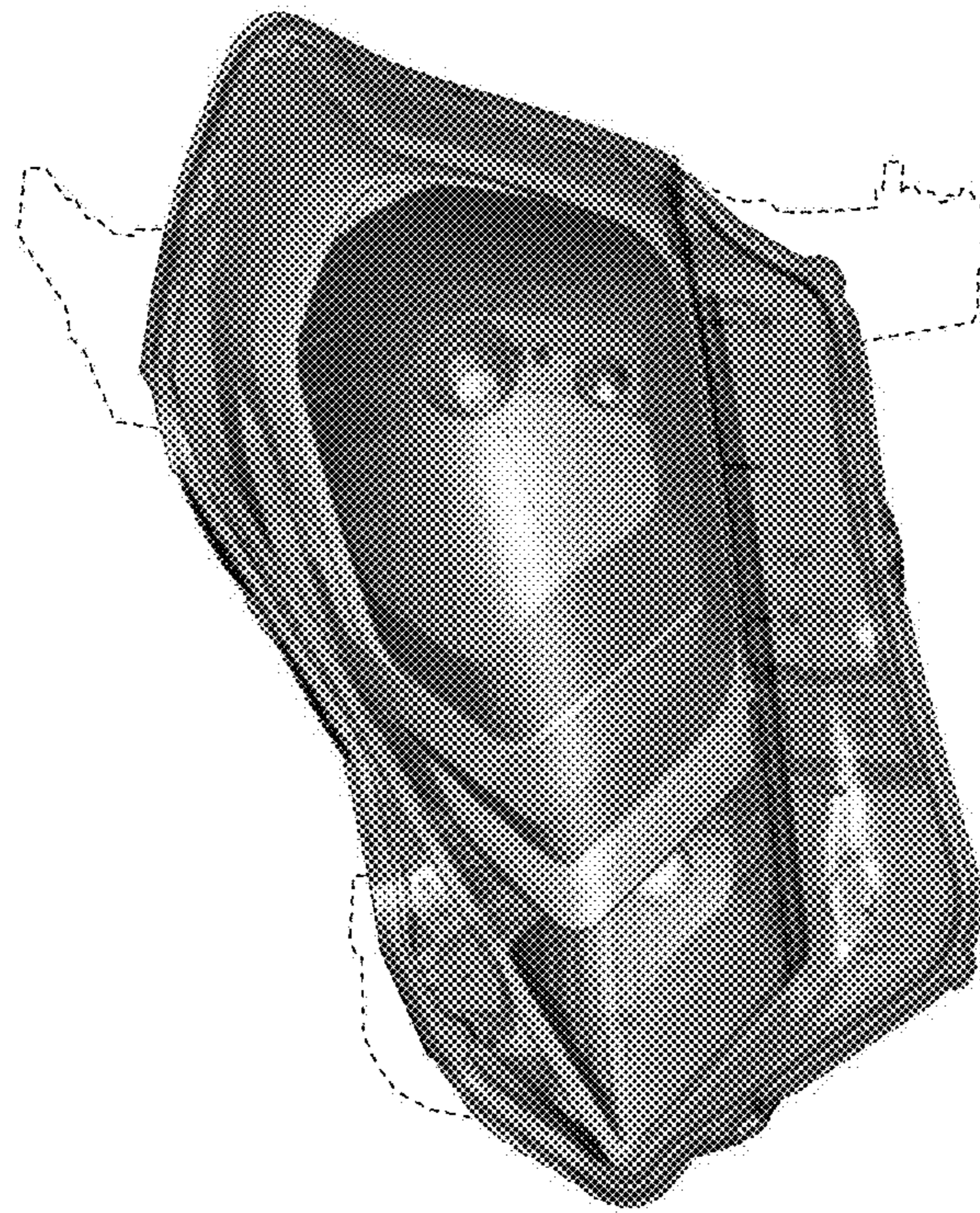


FIG. 7