



US00D856552S

(12) **United States Design Patent** (10) **Patent No.:** **US D856,552 S**  
**Lucas et al.** (45) **Date of Patent:** **\*\* Aug. 13, 2019**

(54) **VEHICLE TAIL LAMP**  
(71) Applicant: **Ford Global Technologies, LLC**,  
Dearborn, MI (US)  
(72) Inventors: **Earl C. Lucas**, Southfield, MI (US);  
**Keith Rogman**, Fenton, MI (US);  
**David Woodhouse**, Troy, MI (US);  
**Solomon Song**, Farmington Hills, MI  
(US); **Viet Nguyen**, Madison Heights,  
MI (US)  
(73) Assignee: **Ford Global Technologies, LLC**,  
Dearborn, MI (US)  
(\*\*) Term: **15 Years**  
(21) Appl. No.: **29/624,503**  
(22) Filed: **Nov. 1, 2017**  
(51) **LOC (12) Cl.** ..... **26-06**  
(52) **U.S. Cl.**  
USPC ..... **D26/28**  
(58) **Field of Classification Search**  
USPC ..... D12/86, 90-92, 114, 163, 169, 171-173,  
D12/181, 190, 196, 197, 199, 400;  
D17/1, 222; D26/28-36  
CPC .. B62J 6/02; B62J 6/00; B60Q 3/0279; B60Q  
3/104; B60Q 3/10408; B60Q 3/10466;  
B60Q 3/12653; B60Q 3/128; F21S 48/00;  
F21S 48/10; F21S 48/115; F21S 48/225;  
F21S 48/1233; F21S 48/1266; F21S  
48/1388; F21S 48/2268; F21V 21/04  
See application file for complete search history.

(56) **References Cited**  
U.S. PATENT DOCUMENTS  
D529,208 S \* 9/2006 Ikeda ..... D26/28  
D536,113 S \* 1/2007 Pfeiffer ..... D26/28

D537,180 S \* 2/2007 Hsu ..... D26/28  
D558,906 S \* 1/2008 Golden ..... D26/28  
D565,762 S \* 4/2008 Zheng ..... D26/28  
D605,792 S \* 12/2009 Weil ..... D26/28  
D612,961 S \* 3/2010 Lamm ..... D26/28  
D676,168 S \* 2/2013 Lai ..... D26/28  
D686,356 S \* 7/2013 Morgenstern ..... D26/28  
D692,598 S \* 10/2013 Davis ..... D26/28  
D695,935 S \* 12/2013 Ueda ..... D26/28  
D703,848 S \* 4/2014 Mays ..... D26/28  
D706,471 S \* 6/2014 Lai ..... D26/28  
D746,495 S \* 12/2015 Gorsten Schuenemann .. D26/28  
D761,463 S \* 7/2016 Lai ..... D26/28  
D765,894 S \* 9/2016 Lai ..... D26/28  
D777,956 S \* 1/2017 Schell ..... D26/28  
D779,090 S \* 2/2017 Giolito ..... D26/28  
D796,715 S \* 9/2017 Lin ..... D26/28  
D819,854 S \* 6/2018 Lai ..... D26/28  
D826,437 S \* 8/2018 Ito ..... D26/28

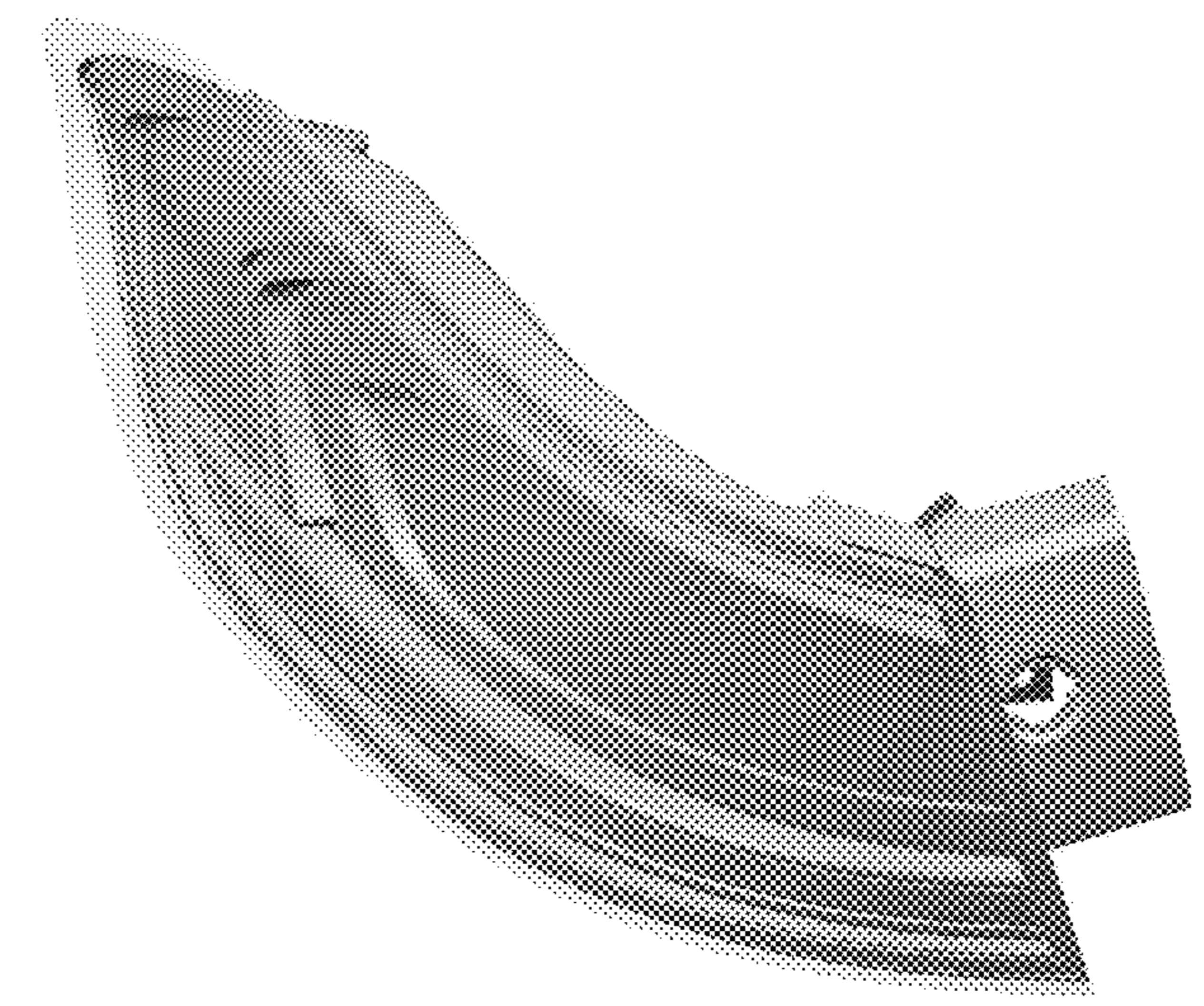
(Continued)

*Primary Examiner* — Philip S Hyder  
*Assistant Examiner* — Cary M Robinson  
(74) *Attorney, Agent, or Firm* — Vichit Chea

(57) **CLAIM**  
The ornamental design for a vehicle tail lamp, as shown and described.

**DESCRIPTION**  
FIG. 1 is a top, front, and left side perspective view a left vehicle tail lamp, showing our new design;  
FIG. 2 is a bottom, front, and left side perspective view thereof;  
FIG. 3 is a top, rear, and left side perspective view thereof;  
FIG. 4 is a front elevational view thereof;  
FIG. 5 is a rear elevational view thereof;  
FIG. 6 is a left side elevational view thereof;  
FIG. 7 is a right side elevational view thereof;  
FIG. 8 is a top plan view thereof; and,  
FIG. 9 is a bottom plan view thereof.

**1 Claim, 9 Drawing Sheets**



(56)

**References Cited**

U.S. PATENT DOCUMENTS

2011/0310610	A1 *	12/2011	Brown .....	B60Q 1/56 362/253
2013/0194817	A1 *	8/2013	Ito .....	B60Q 1/02 362/538

\* cited by examiner

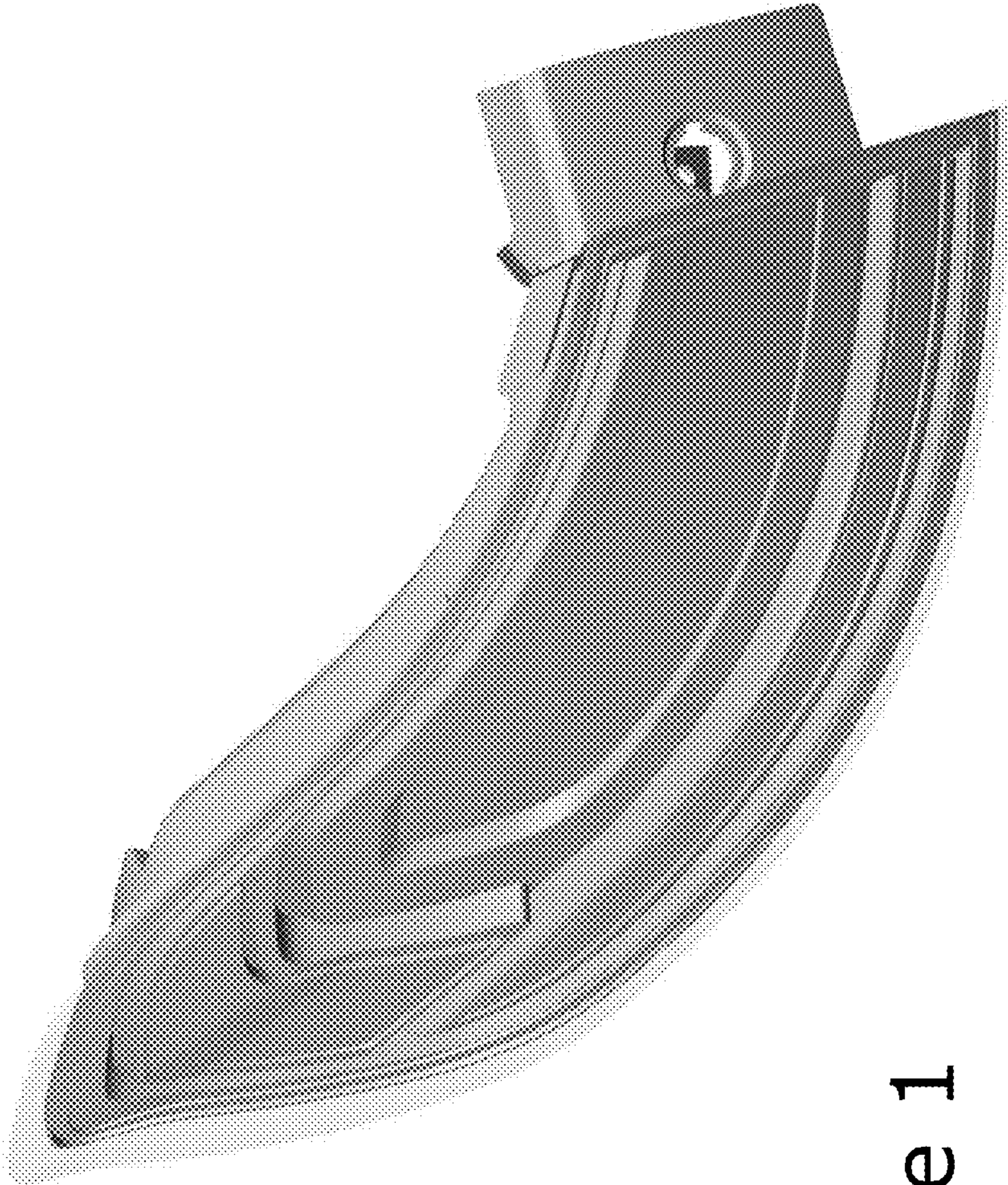


Figure 1

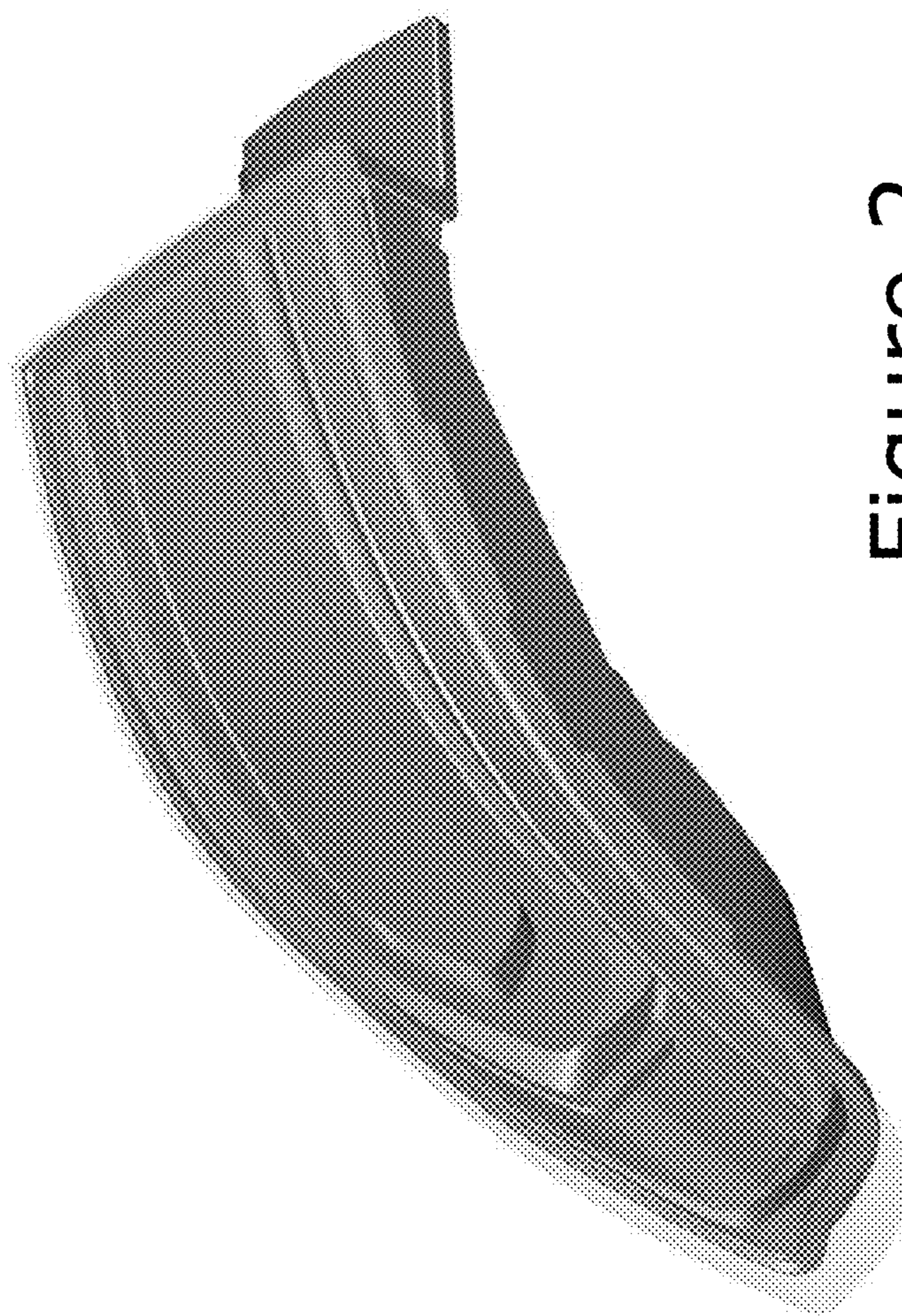


Figure 2

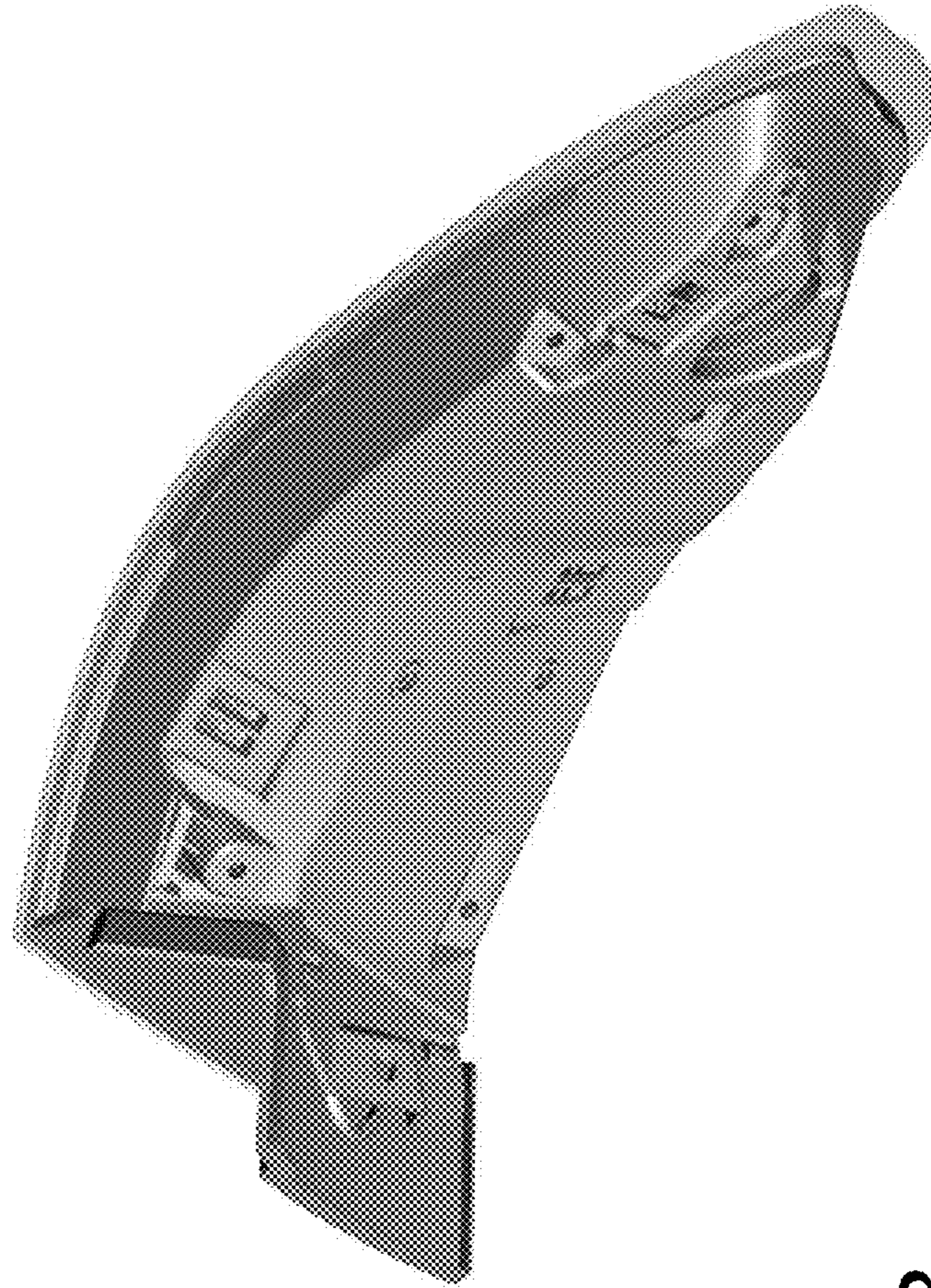


Figure 3

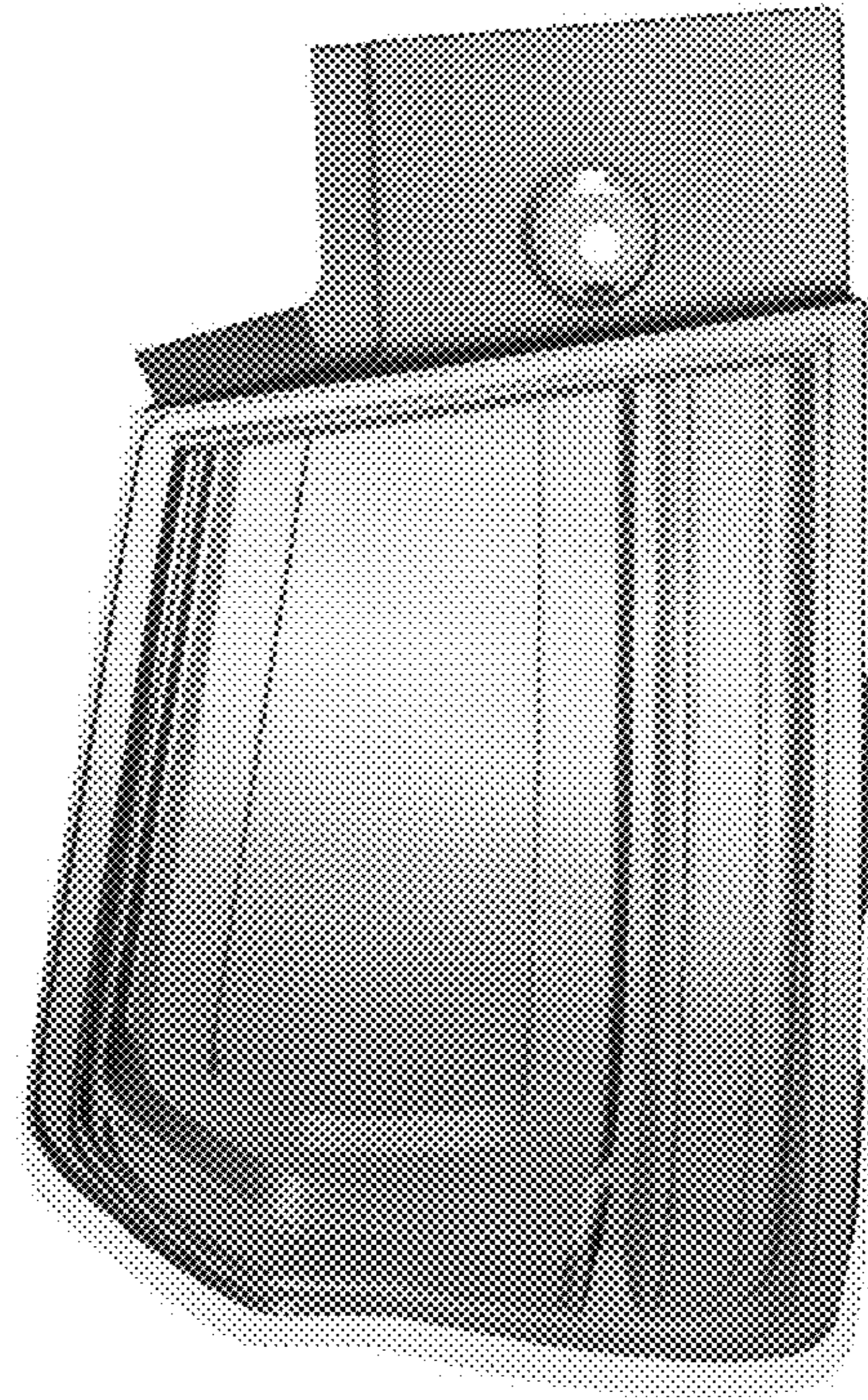


Figure 4

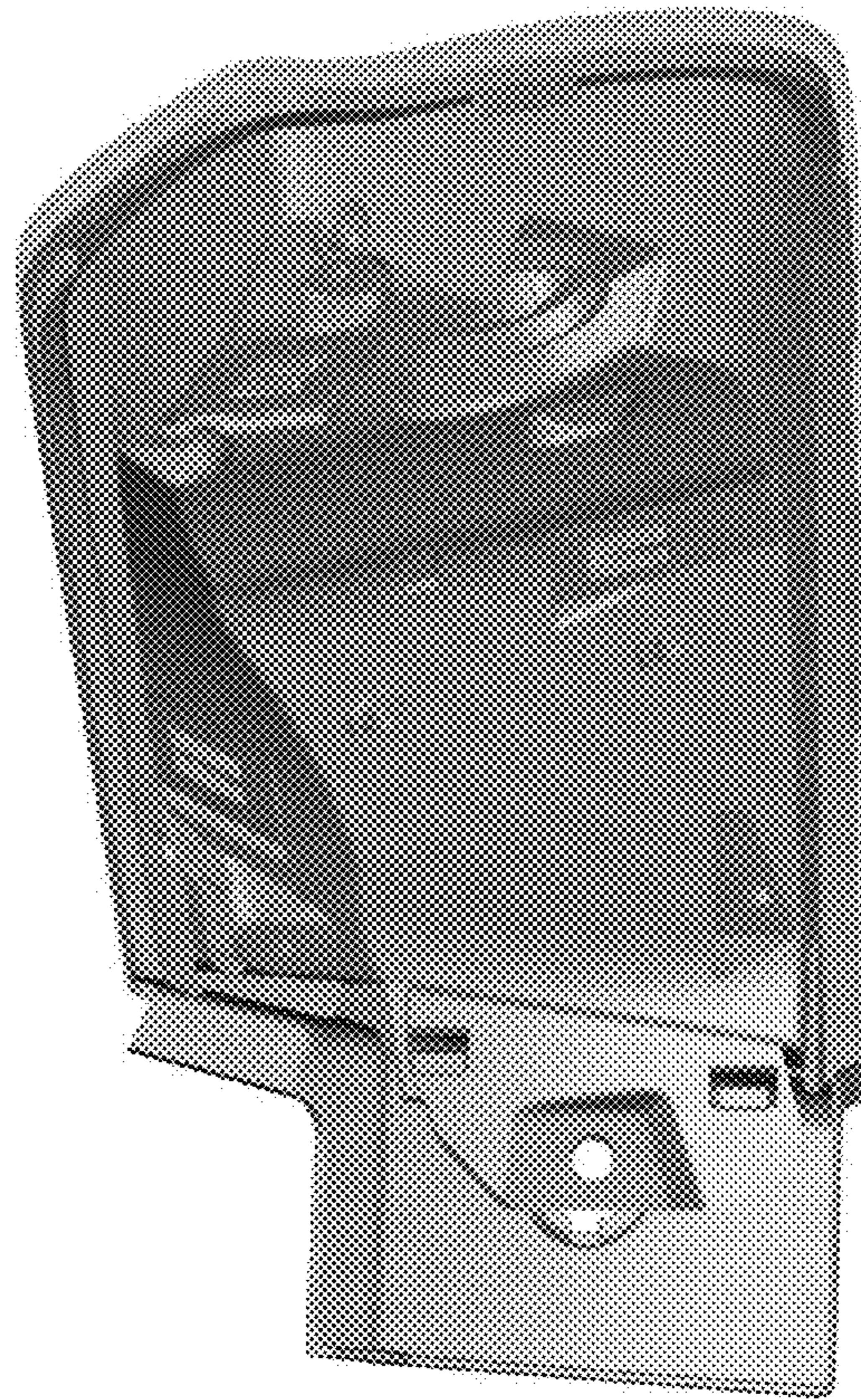


Figure 5

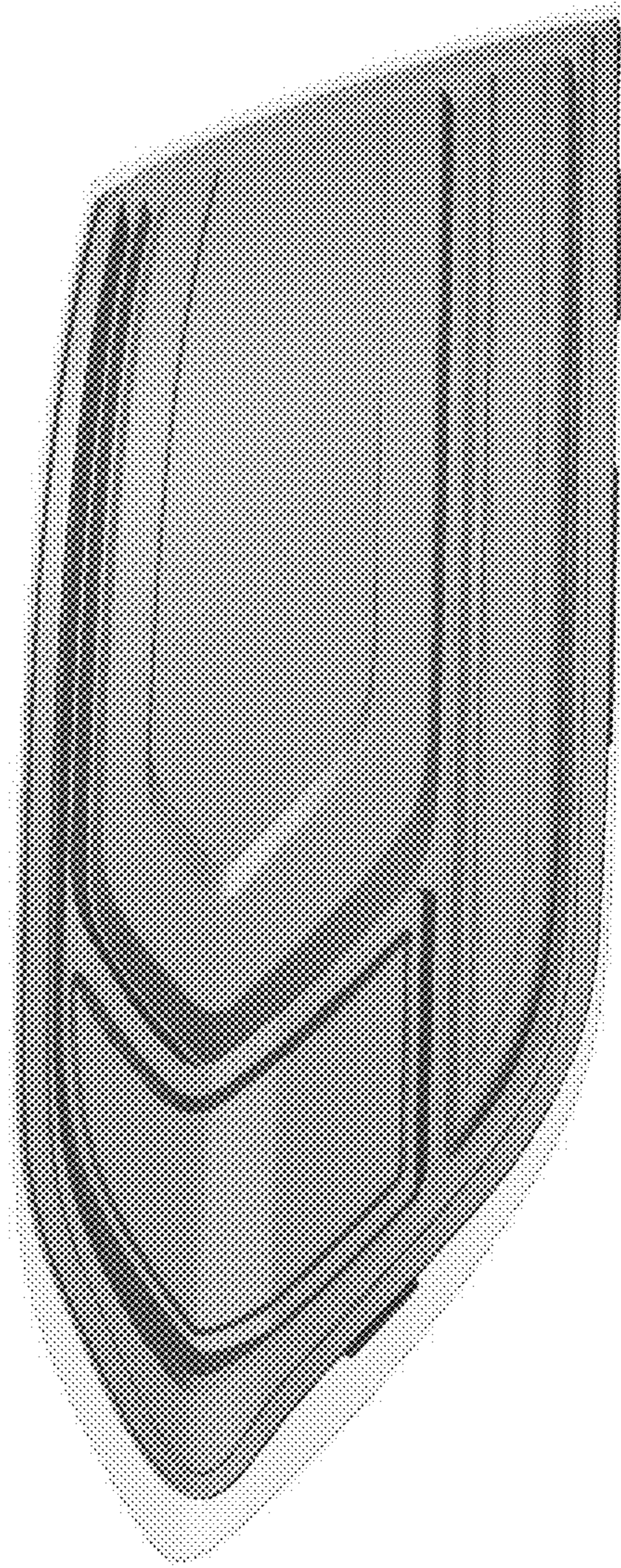


Figure 6



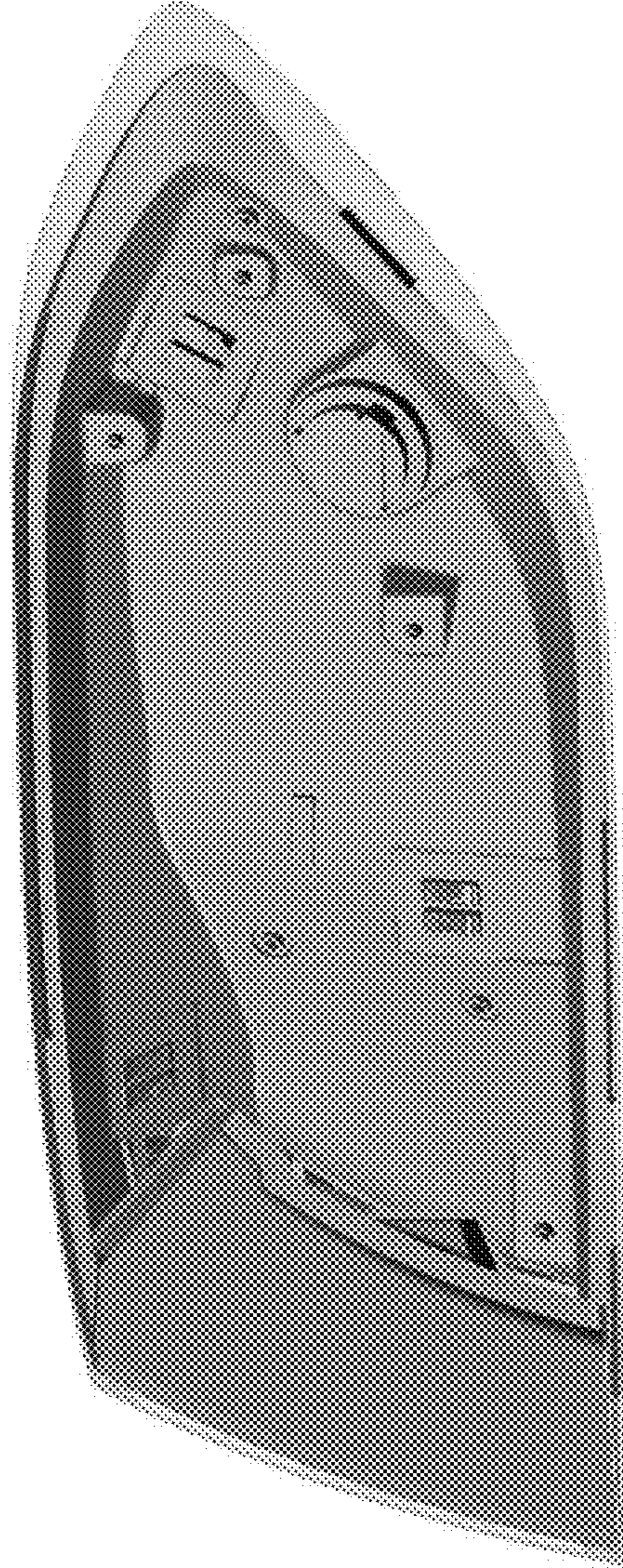


Figure 7



Figure 8

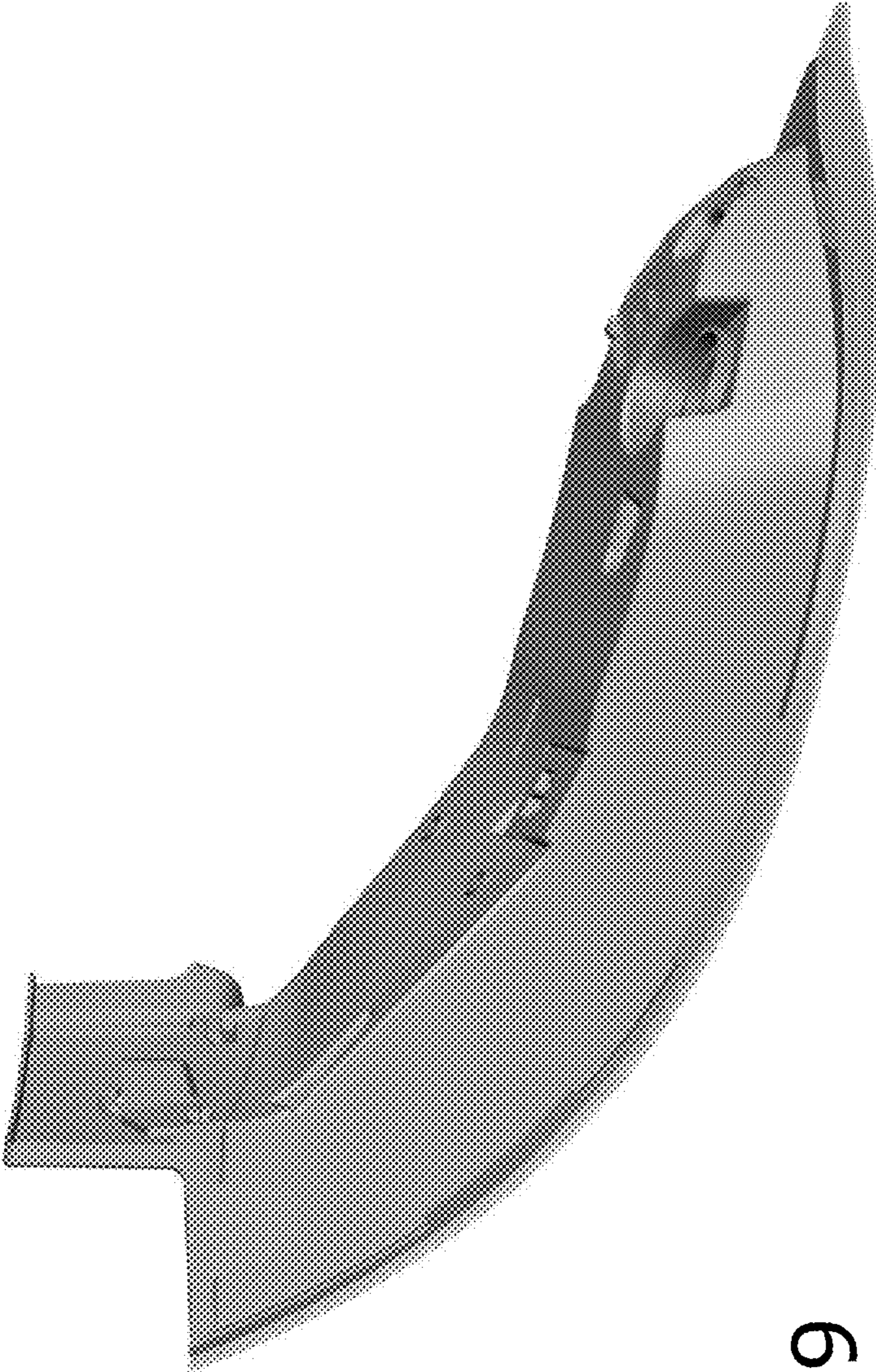


Figure 9