



US00D856551S

(12) **United States Design Patent** (10) **Patent No.:** **US D856,551 S**
Lucas et al. (45) **Date of Patent:** **** Aug. 13, 2019**

- (54) **VEHICLE FRONT FOG LAMP**
- (71) Applicant: **Ford Global Technologies, LLC**,
Dearborn, MI (US)
- (72) Inventors: **Earl C. Lucas**, Southfield, MI (US);
Keith Rogman, Fenton, MI (US);
David Woodhouse, Troy, MI (US);
Solomon Song, Farmington Hills, MI
(US); **Viet Nguyen**, Madison Heights,
MI (US)
- (73) Assignee: **Ford Global Technologies, LLC**,
Dearborn, MI (US)
- (**) Term: **15 Years**
- (21) Appl. No.: **29/624,499**
- (22) Filed: **Nov. 1, 2017**
- (51) **LOC (12) Cl.** **26-07**
- (52) **U.S. Cl.**
USPC **D26/28**
- (58) **Field of Classification Search**
USPC D12/86, 90-92, 114, 163, 169, 171-173,
D12/181, 190, 196, 197, 199, 400;
D26/28-36, 139
CPC .. B62J 6/02; B62J 6/00; B60Q 3/0279; B60Q
3/104; B60Q 3/10408; B60Q 3/10466;
B60Q 3/12653; B60Q 3/128; F21S 48/00;
F21S 48/10; F21S 48/115; F21S 48/225;
F21S 48/1233; F21S 48/1266; F21S
48/1388; F21S 48/2268; F21V 21/04
See application file for complete search history.

D718,893 S *	12/2014	Lai	D26/28
D720,870 S *	1/2015	Lim	D26/28
D735,920 S *	8/2015	Honda	D26/28
D748,305 S *	1/2016	Miyazawa	D26/28
D752,780 S *	3/2016	Hall	D26/28
D789,572 S *	6/2017	Peat	D26/28
D805,663 S *	12/2017	Koizumi	D26/28
D812,273 S *	3/2018	Wu	D26/28
D820,487 S *	6/2018	Lai	D26/28
D834,224 S *	11/2018	Mochizuki	D26/28
2014/0192548 A1 *	7/2014	Kracker	F21S 41/147 362/538

* cited by examiner

Primary Examiner — Philip S Hyder

Assistant Examiner — Cary M Robinson

(74) *Attorney, Agent, or Firm* — Vichit Chea

(57) **CLAIM**

The ornamental design for a vehicle front fog lamp, as shown and described.

DESCRIPTION

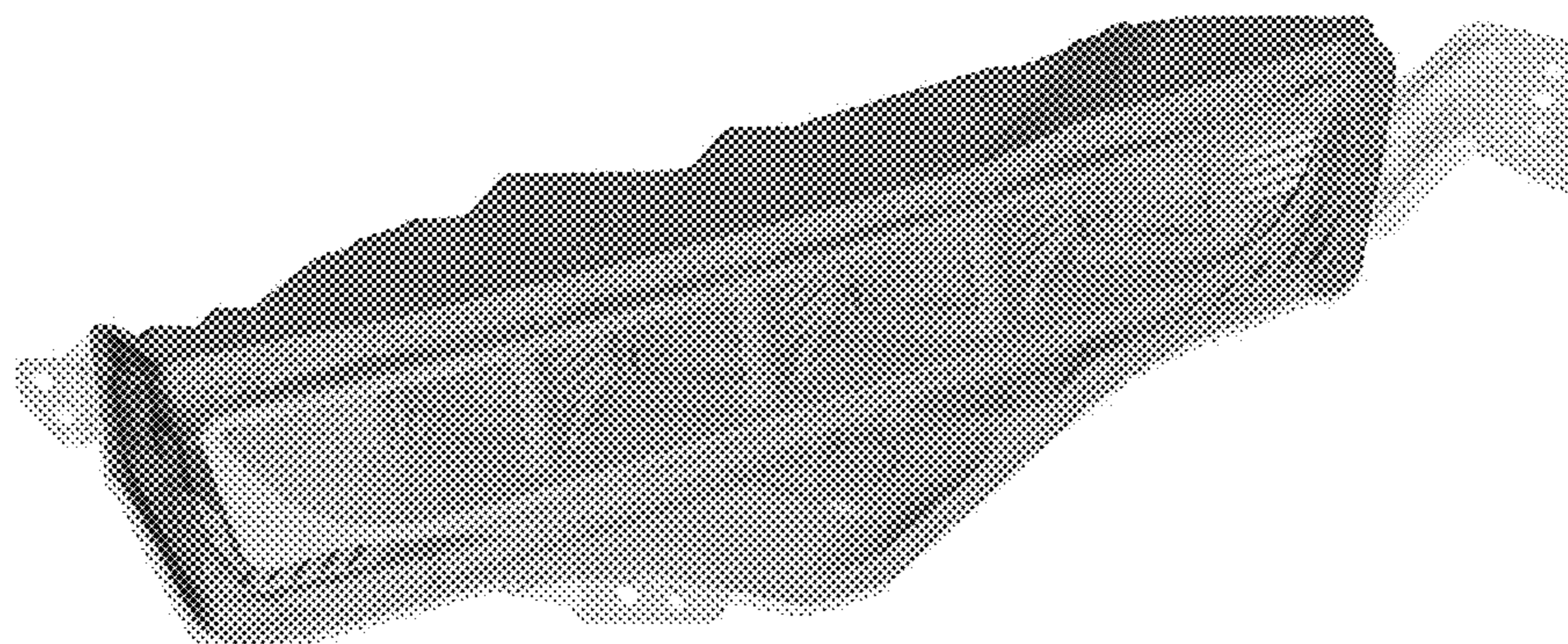
FIG. 1 is a top, front, and left side perspective view a left vehicle front fog lamp, showing our new design;
 FIG. 2 is a bottom, front, and left side perspective view thereof;
 FIG. 3 is a top, rear, and left side perspective view thereof;
 FIG. 4 is a front elevational view thereof;
 FIG. 5 is a rear elevational view thereof;
 FIG. 6 is a left side elevational view thereof;
 FIG. 7 is a right side elevational view thereof;
 FIG. 8 is a top plan view thereof; and,
 FIG. 9 is a bottom plan view thereof.

1 Claim, 9 Drawing Sheets

(56) **References Cited**

U.S. PATENT DOCUMENTS

D684,710 S *	6/2013	Chen	D26/28
D691,754 S *	10/2013	Chen	D26/28



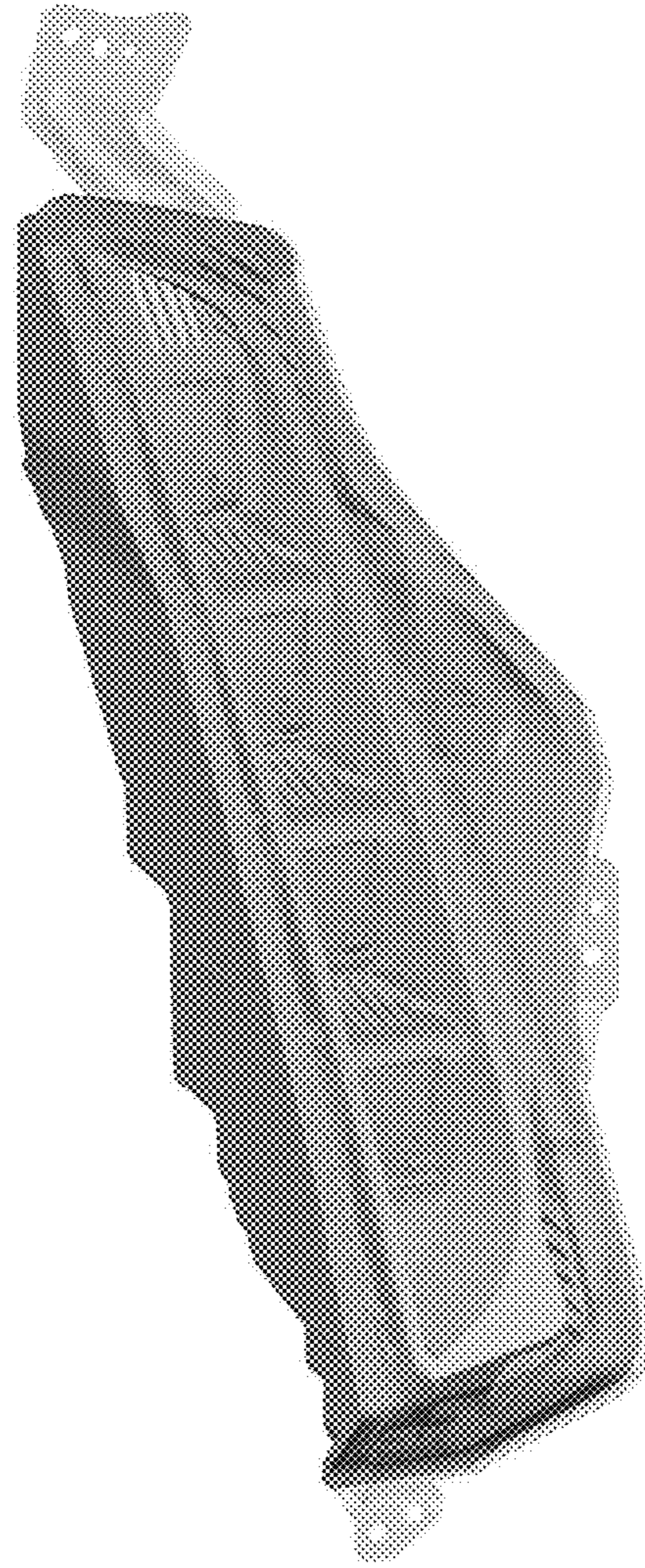


Figure 1

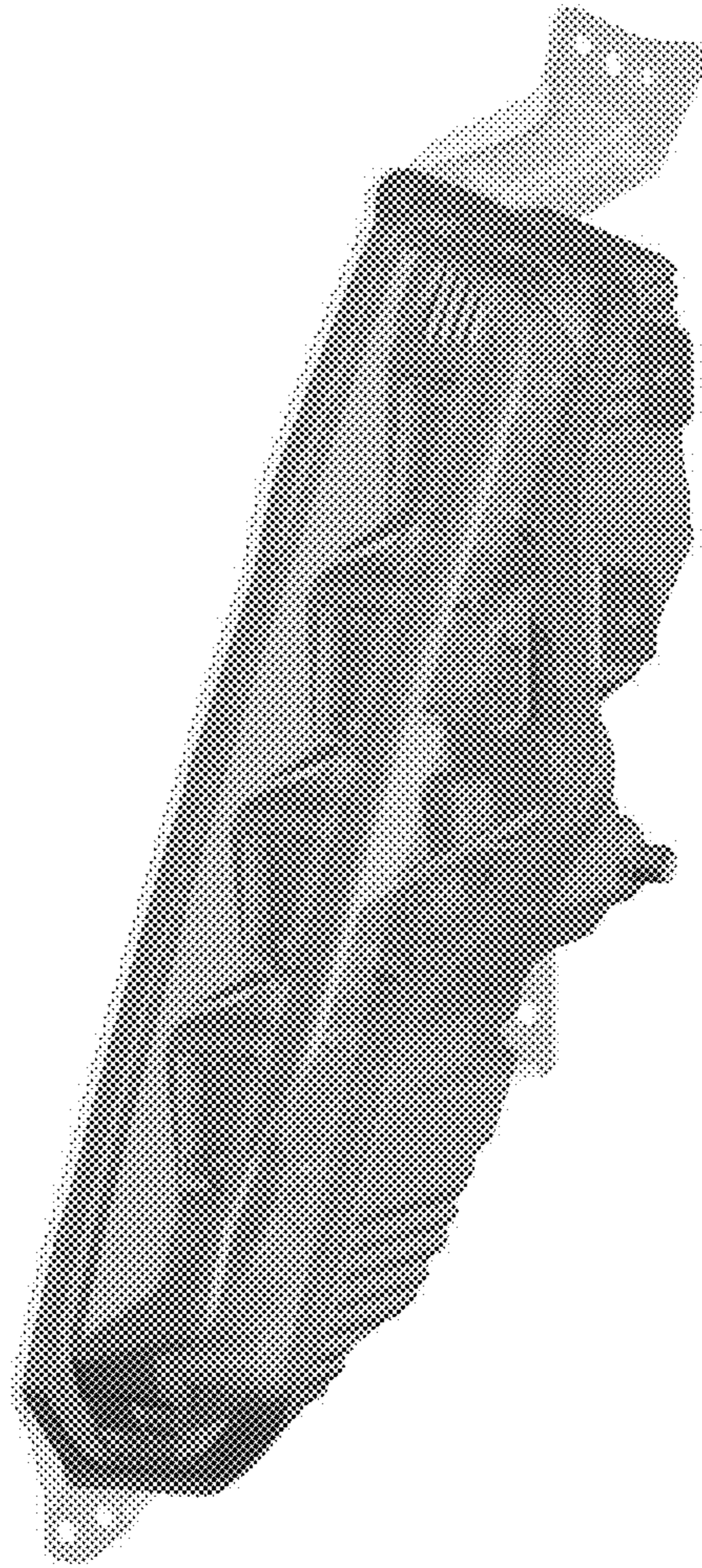


Figure 2

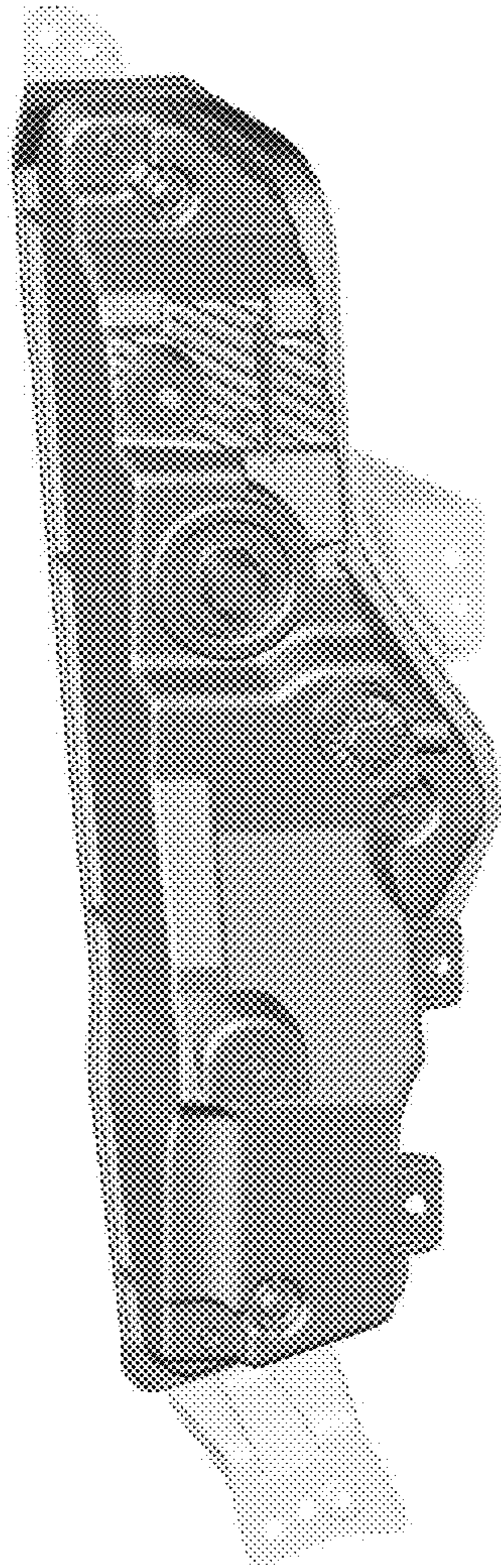


Figure 3

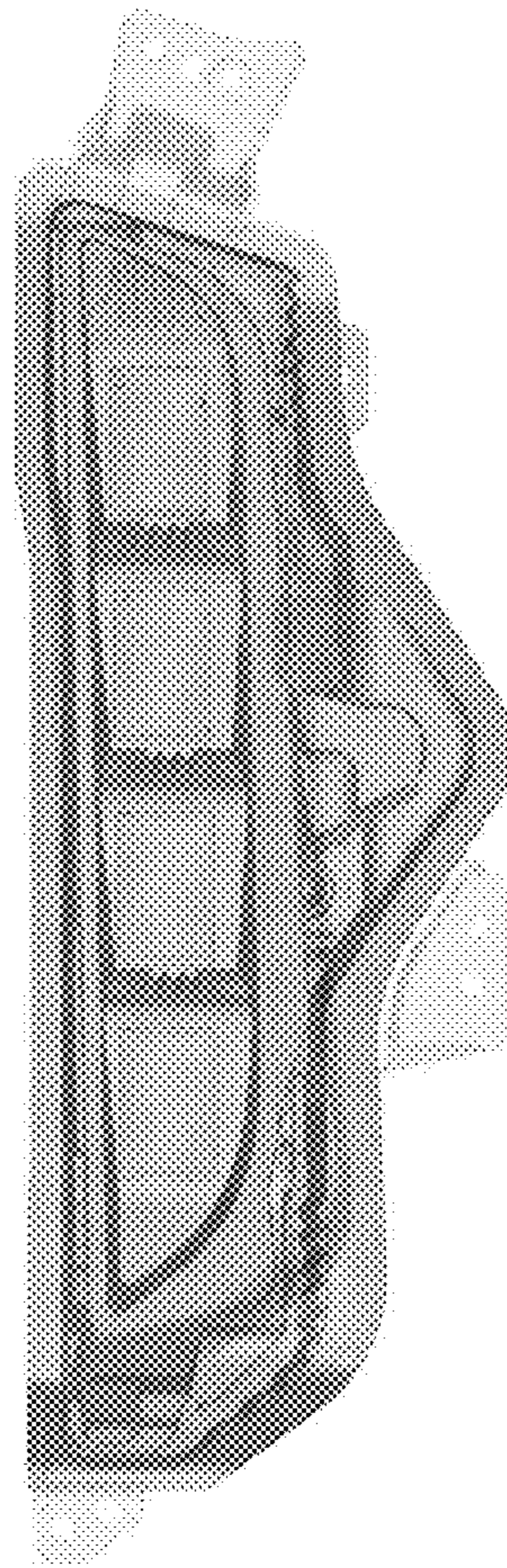


Figure 4

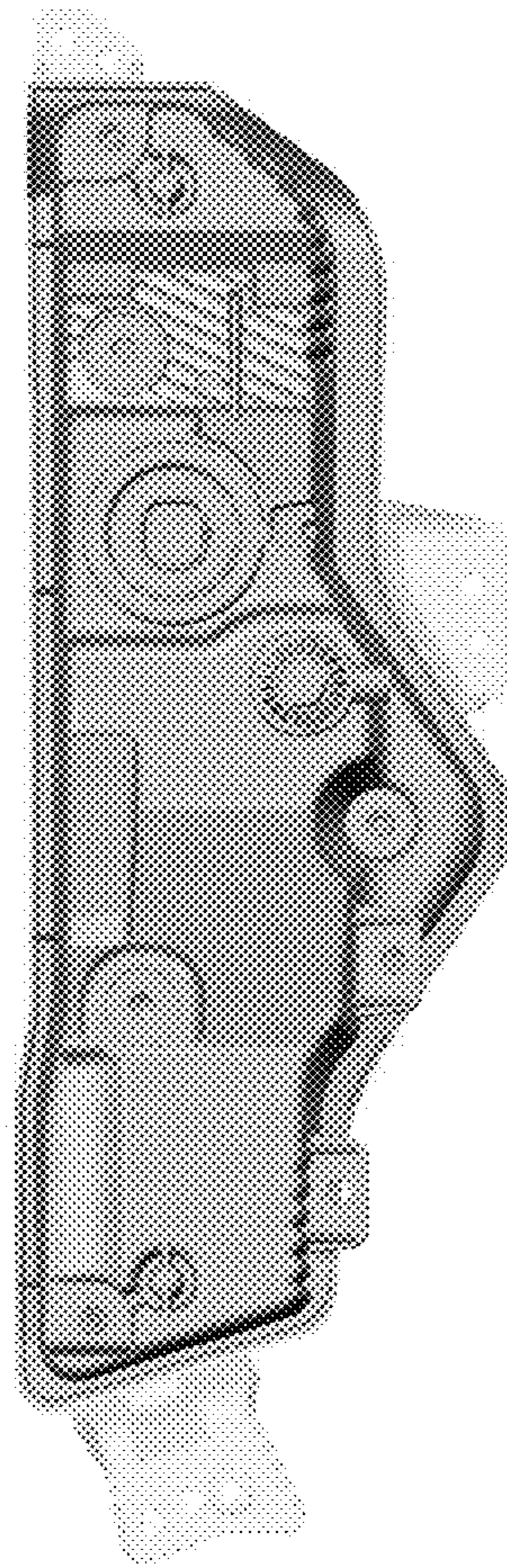


Figure 5

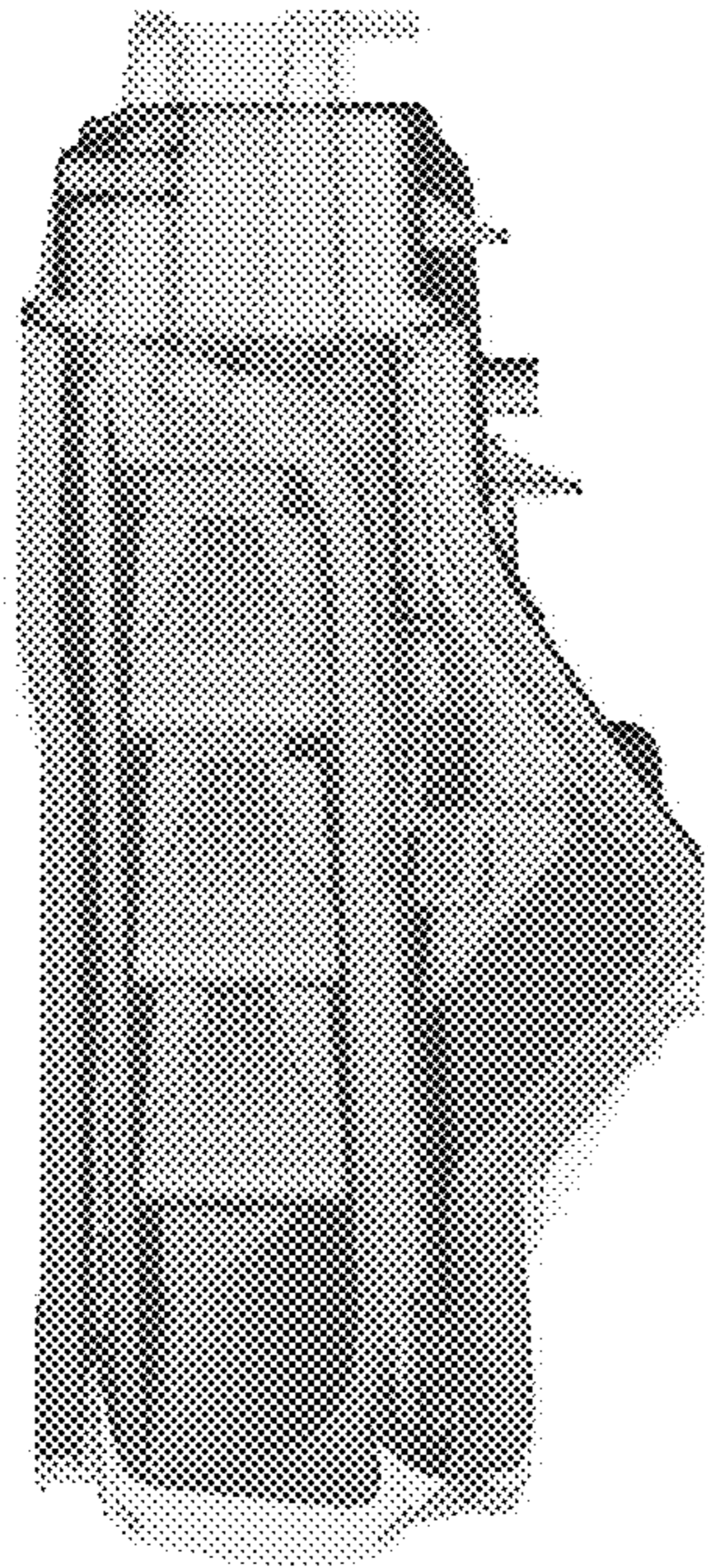


Figure 6

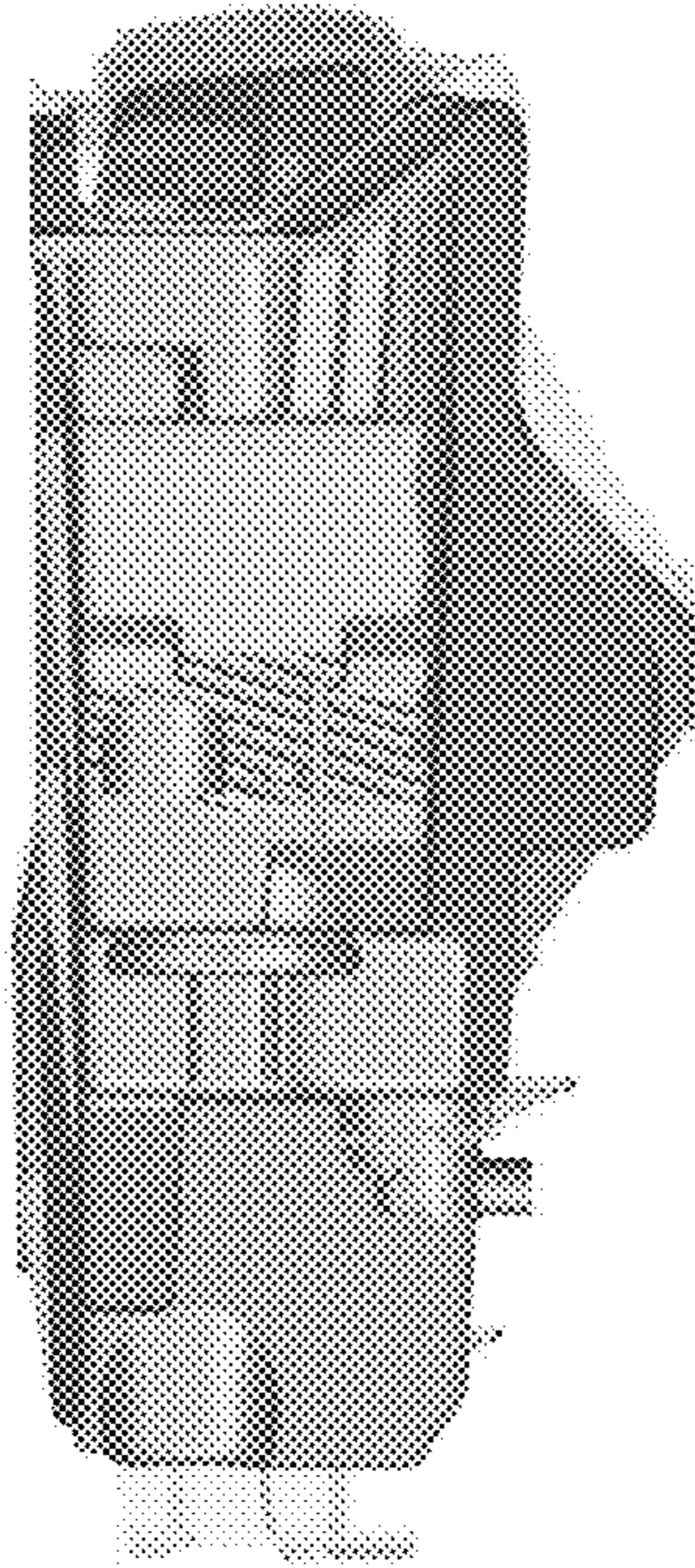


Figure 7

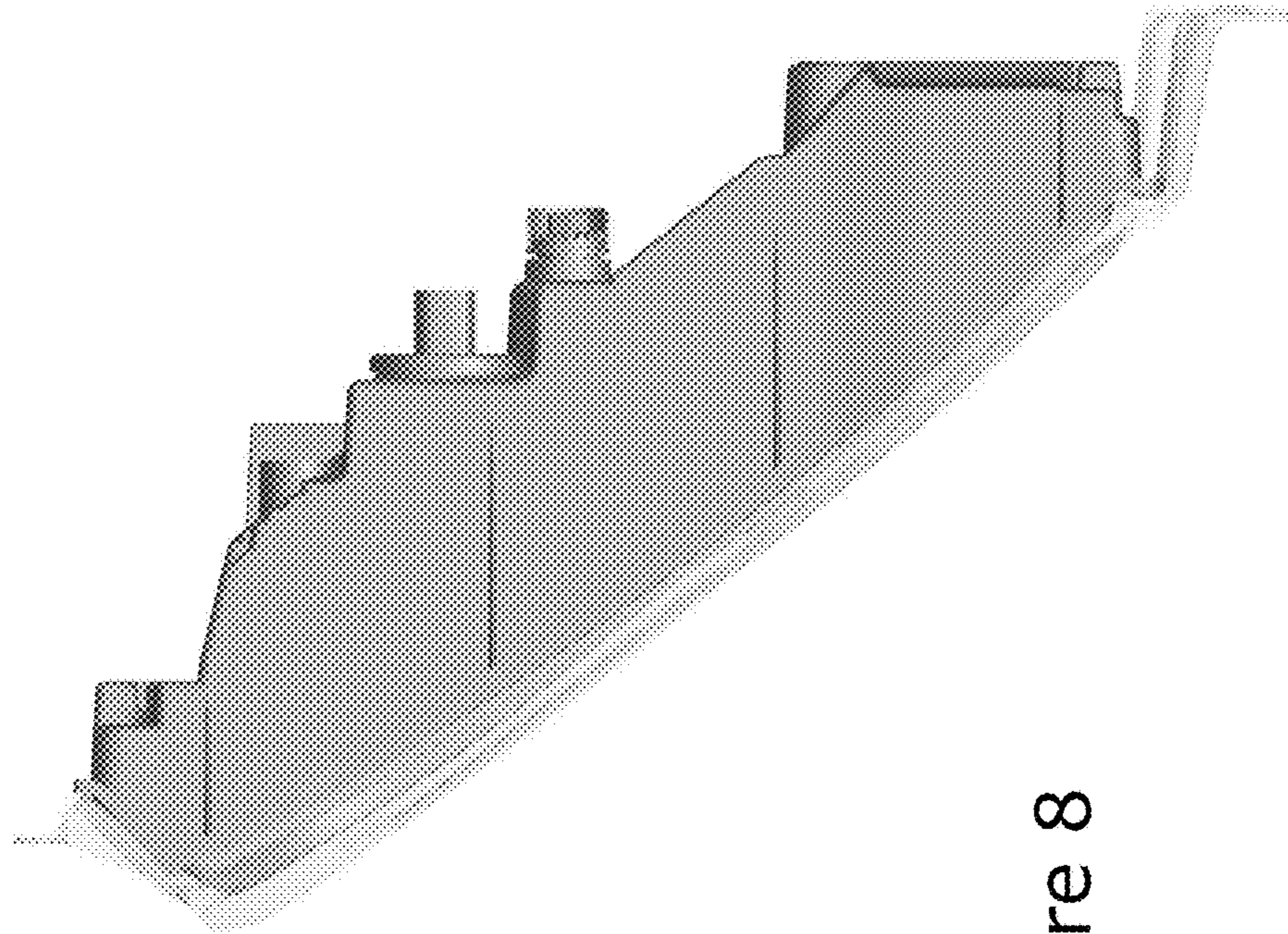


Figure 8

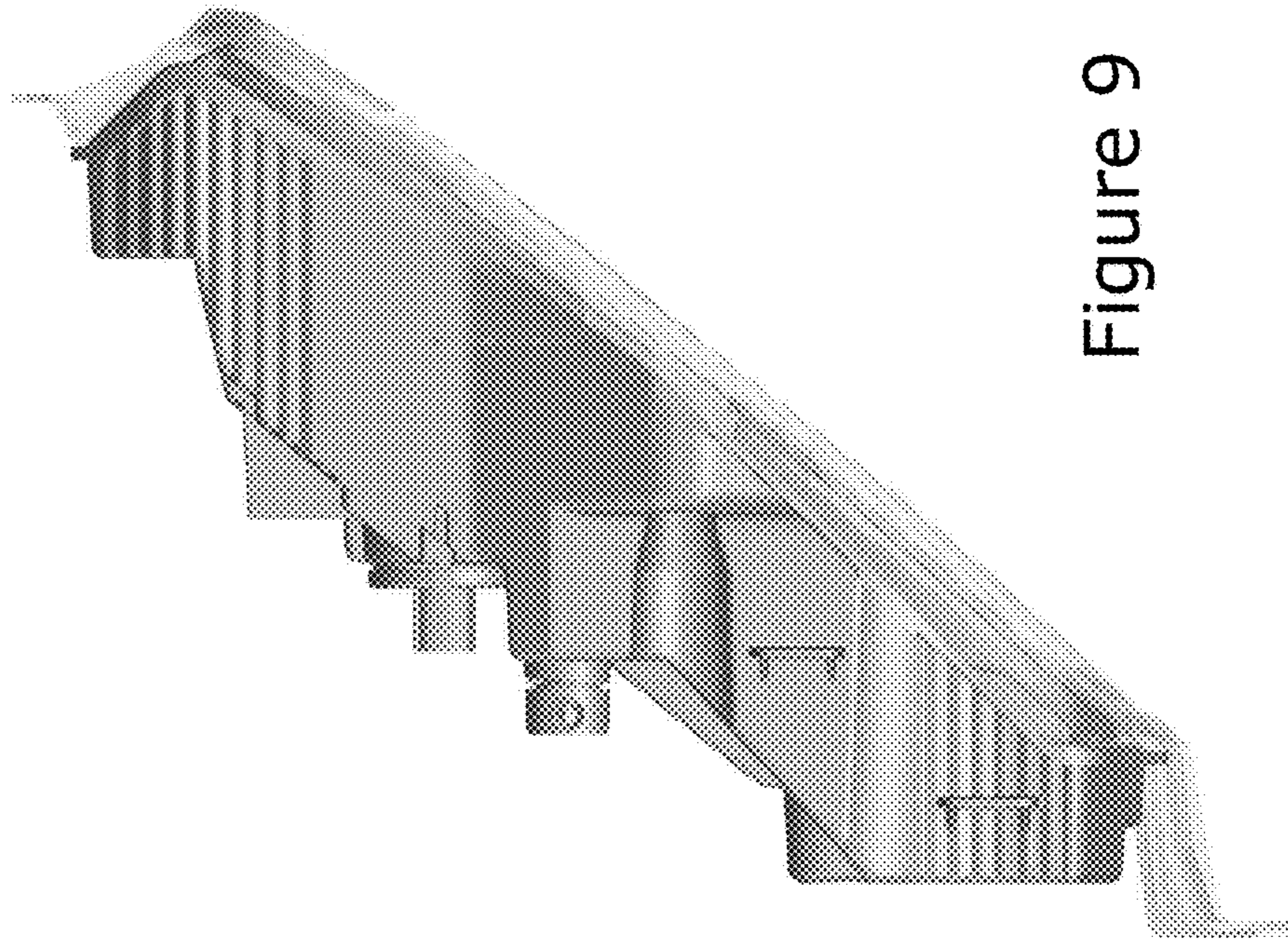


Figure 9