



US00D856549S

(12) **United States Design Patent** (10) **Patent No.:** **US D856,549 S**
Hu et al. (45) **Date of Patent:** **** Aug. 13, 2019**

(54) **HEADLIGHTS FOR A GOLF CAR**
(71) Applicant: **JH Global Services, Inc.**, Simpsonville, SC (US)
(72) Inventors: **Jun Hu**, Simpsonville, SC (US); **Thomas Limpo**, Fort Mill, SC (US)
(73) Assignee: **JH Global Services, Inc.**, Simpsonville, SC (US)
(**) Term: **15 Years**
(21) Appl. No.: **29/592,942**
(22) Filed: **Feb. 3, 2017**
(51) **LOC (12) Cl.** **26-07**
(52) **U.S. Cl.**
USPC **D26/28**
(58) **Field of Classification Search**
USPC D26/28-36; 362/459-468, 475-478, 362/485-487
CPC F21S 48/00; F21S 48/10; F21S 48/115; F21S 48/225; F21S 48/1233; F21S 48/1266; F21S 48/1388; F21S 48/2268; F21V 21/04
See application file for complete search history.

(56) **References Cited**
U.S. PATENT DOCUMENTS
D226,079 S 1/1973 Gifford
3,777,836 A 12/1973 Riza
D242,439 S 11/1976 Gervais
D255,111 S 5/1980 Palmer
D275,380 S 9/1984 Flowers, Sr.
D301,128 S 5/1989 Simon
4,852,898 A 8/1989 Donoghue et al.
D337,553 S 7/1993 Valentine et al.
5,727,642 A 3/1998 Abbott
5,788,524 A 8/1998 Davis
D437,364 S 2/2001 Jang

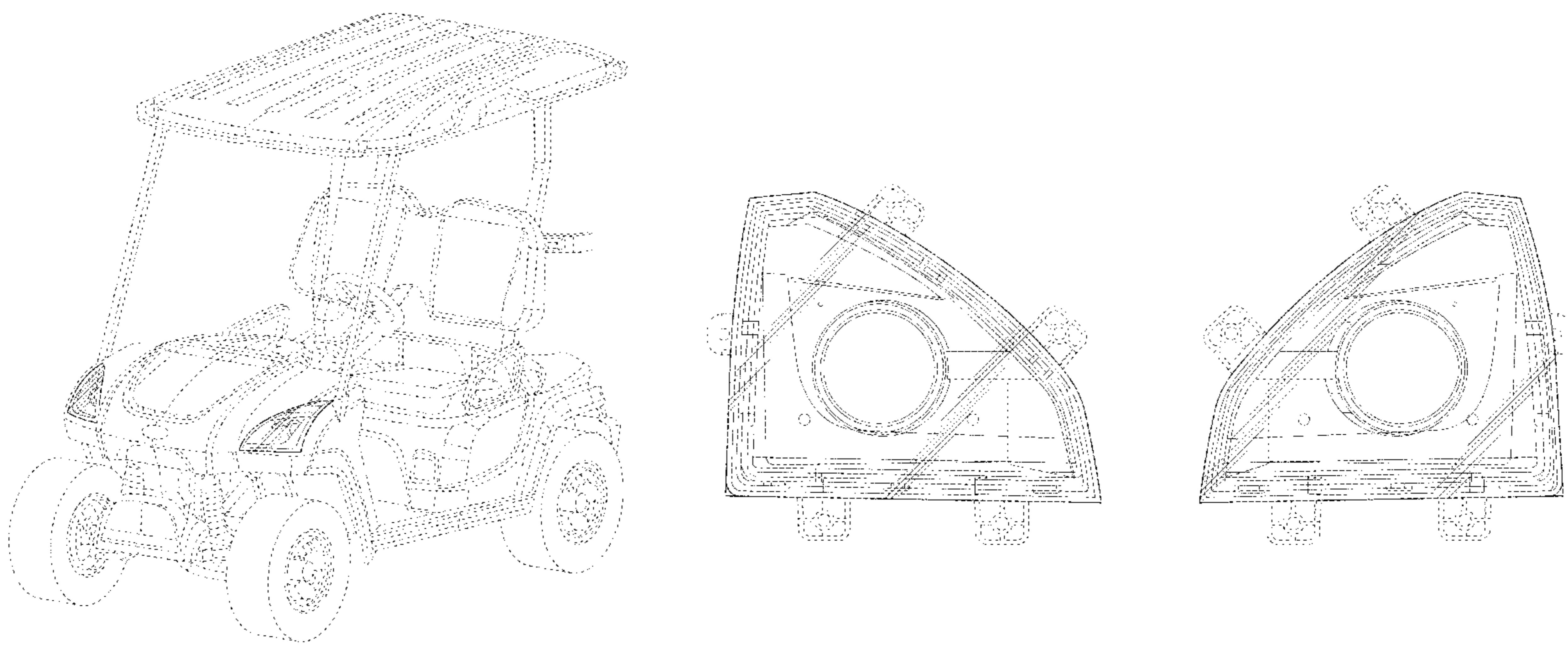
D464,289 S 10/2002 Jager
D464,913 S 10/2002 Cerny, Jr. et al.
D482,807 S 11/2003 Shiesh
D493,749 S 8/2004 Duncan
D498,436 S 11/2004 Bonner et al.
D498,704 S 11/2004 Bonner et al.
D517,448 S 3/2006 Essig
7,240,948 B1 7/2007 Houston
D571,689 S * 6/2008 Andrews D12/16
(Continued)

Primary Examiner — Angela J Lee
(74) *Attorney, Agent, or Firm* — Dority & Manning, P.A.

(57) **CLAIM**
The ornamental design for headlights for a golf car, as shown and described.

DESCRIPTION
FIG. 1 is a perspective view of the headlights for a golf car, which subject matter is shown in its intended environment of incorporated into the front end of a golf car;
FIG. 2 is a front elevation view of the headlights for a golf car;
FIG. 3 is a rear elevation view of the headlights for a golf car;
FIG. 4 is a top plan view of the headlights for a golf car;
FIG. 5 is a bottom plan view of the headlights for a golf car;
FIG. 6 is a left side (driver's side) elevation view of the headlights on the left side (driver's side) for a golf car;
FIG. 7 is the opposite side of the headlight illustrated in FIG. 6 on the left side (driver's side) for a golf car;
FIG. 8 is a right side (passenger's side) elevation view of the headlights on the right side (passenger's side) for a golf car; and,
FIG. 9 is the opposite side of the headlight illustrated in FIG. 8 on the right side (passenger's side) for a golf car.
The broken lines shown in the drawings represent environment that form no part of the claimed design.

1 Claim, 7 Drawing Sheets



(56)

References Cited

U.S. PATENT DOCUMENTS

D584,187 S	1/2009	Rossello et al.	D721,012 S *	1/2015	Zhang	D12/16
D588,957 S	3/2009	Tuo	D746,174 S	12/2015	Storms	
D589,398 S	3/2009	Tuo	D752,782 S *	3/2016	Moessner	D26/28
D591,659 S	5/2009	Dubanowski et al.	D753,021 S	4/2016	Allen	
D600,593 S	9/2009	Hanson et al.	D762,141 S *	7/2016	Zhou	D12/16
7,585,010 B2	9/2009	Hardy et al.	D765,293 S *	8/2016	Schneider	D26/28
D606,899 S	12/2009	Gal et al.	D784,576 S	4/2017	Giolito	
D617,681 S	6/2010	Tuo	D787,727 S *	5/2017	Lai	D26/28
D618,137 S *	6/2010	Yuan	D799,728 S *	10/2017	Whitla	D26/28
D639,208 S	6/2011	Li	D812,272 S *	3/2018	Lacock	D26/28
D639,711 S	6/2011	Chartrand	2002/0195831 A1	12/2002	Hogan et al.	
D640,596 S *	6/2011	Zhang	2004/0009329 A1	1/2004	Whitaker	
D640,599 S *	6/2011	Zhang	2005/0224539 A1	10/2005	Hardy et al.	
7,954,838 B1	6/2011	Long	2006/0151224 A1	7/2006	Vasser	
D646,201 S	10/2011	Zhang	2006/0180383 A1	8/2006	Bataille et al.	
D646,604 S *	10/2011	Zhang	2006/0230869 A1	10/2006	Cosby et al.	
D652,349 S *	1/2012	Kristensen	2007/0007315 A1	1/2007	Hanson et al.	
D694,669 S	12/2013	Schwenk	2007/0252361 A1	11/2007	Houston	
			2008/0179860 A1	7/2008	Bell	
			2010/0314179 A1	12/2010	Gibson	
			2013/0105532 A1	5/2013	Lorenzana	

* cited by examiner

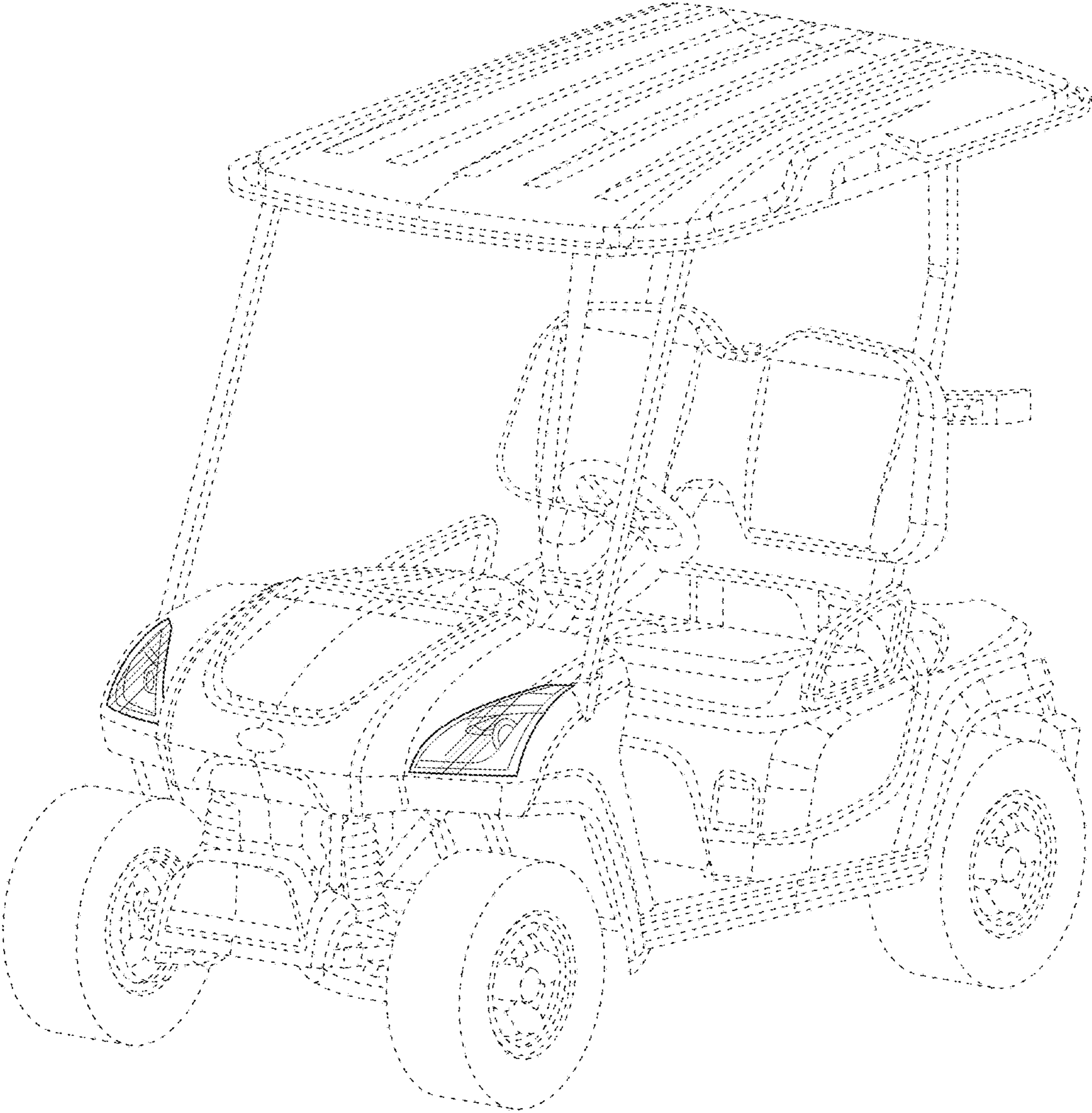


FIG. 1

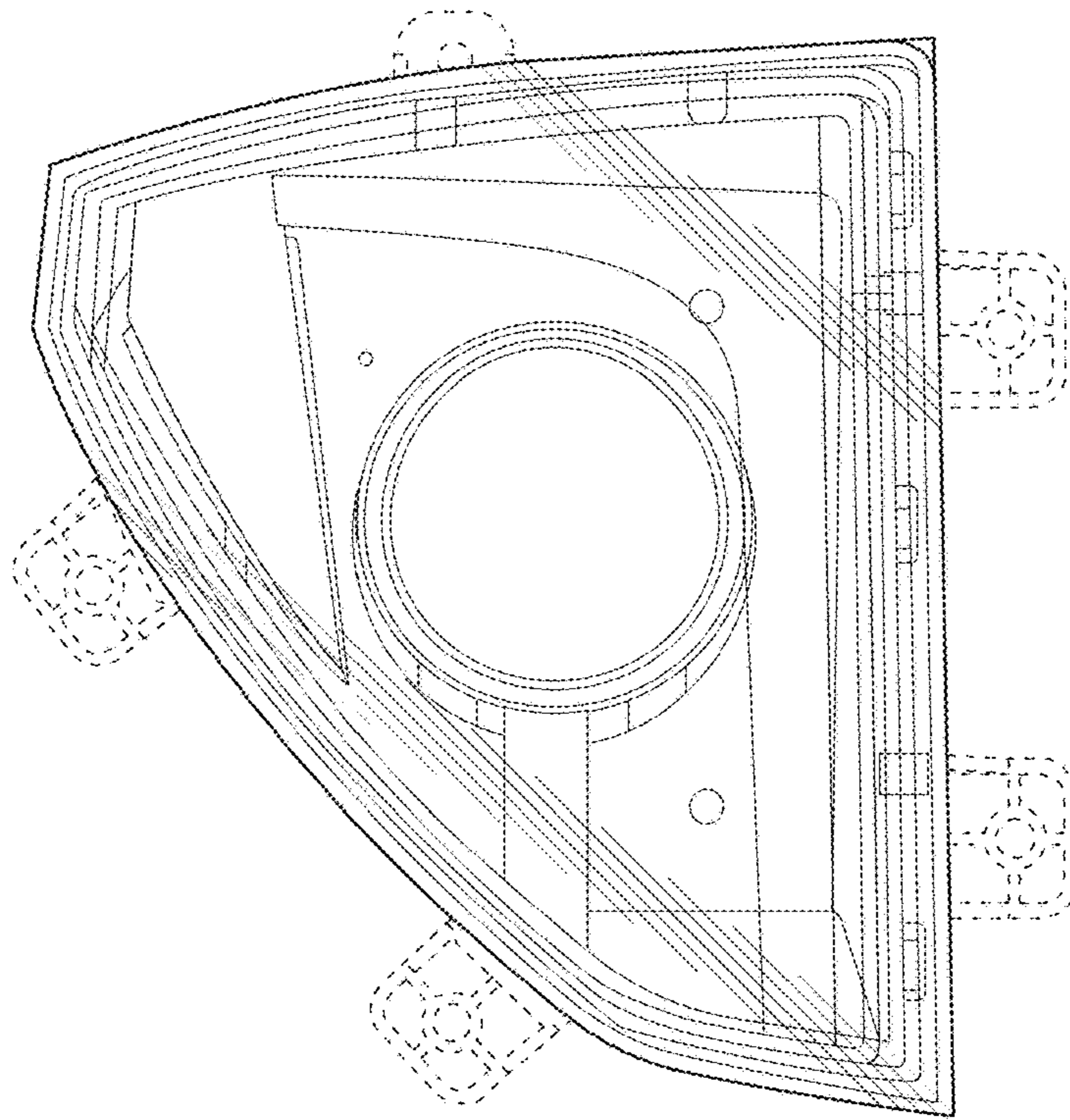
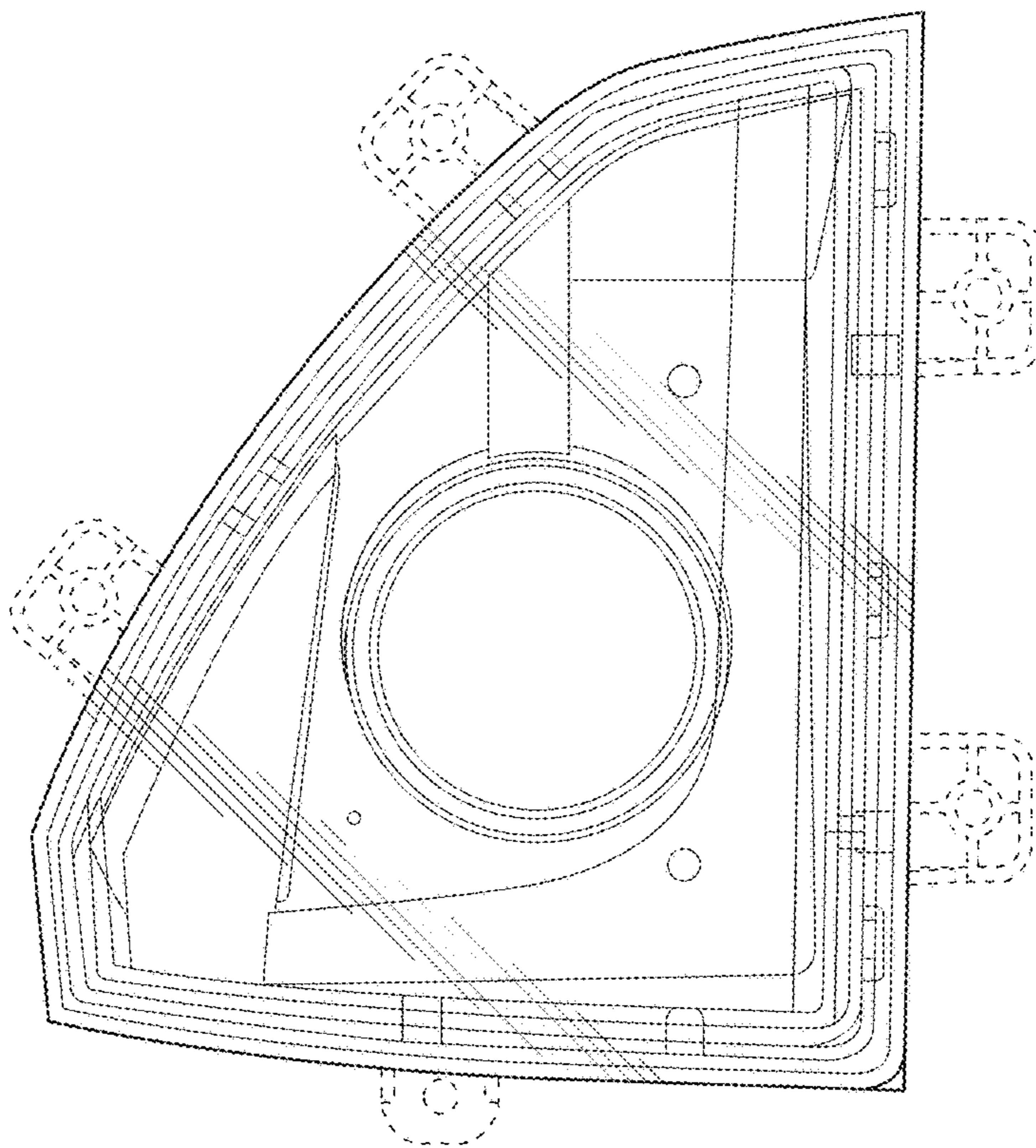


FIG. 2



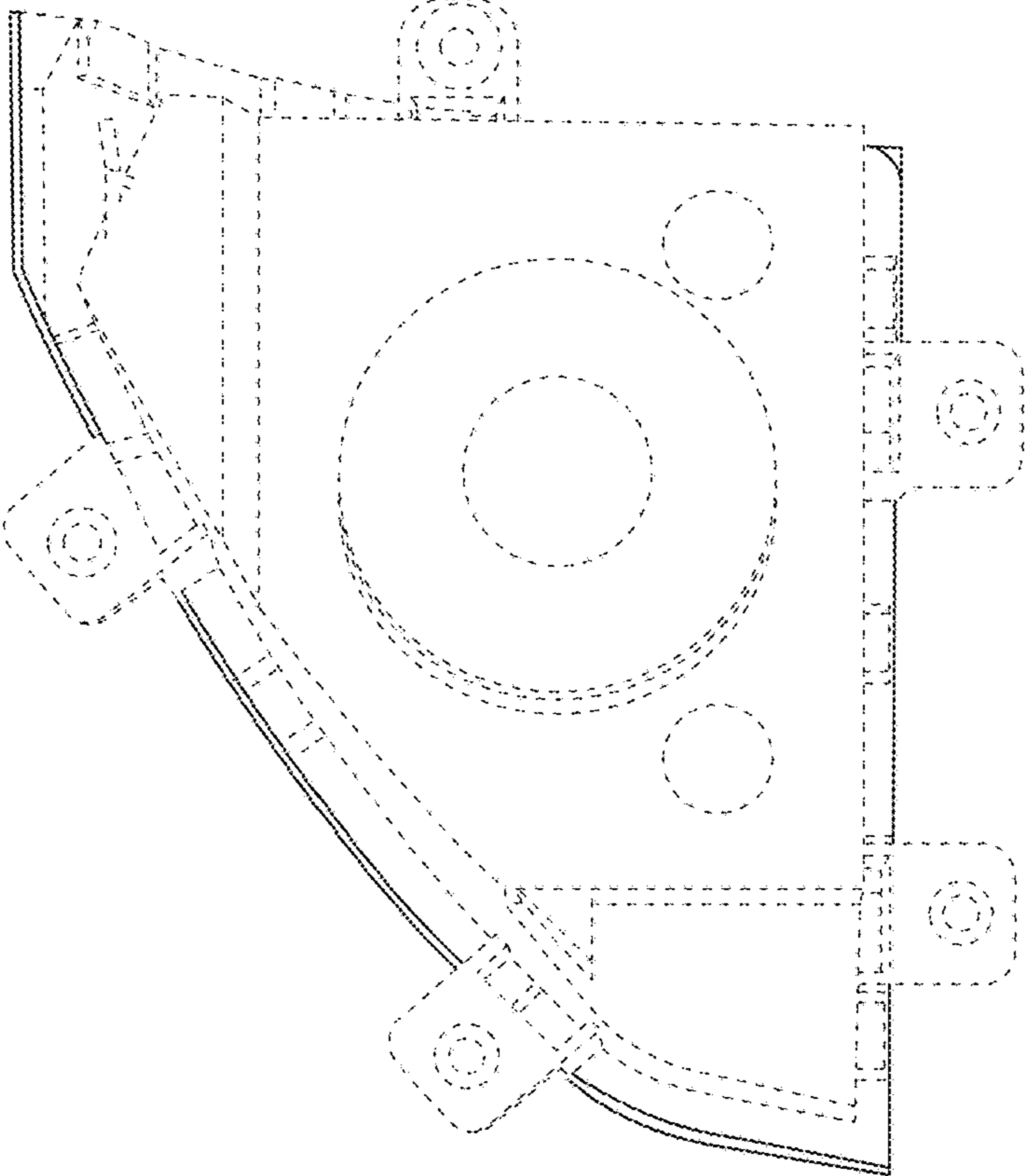
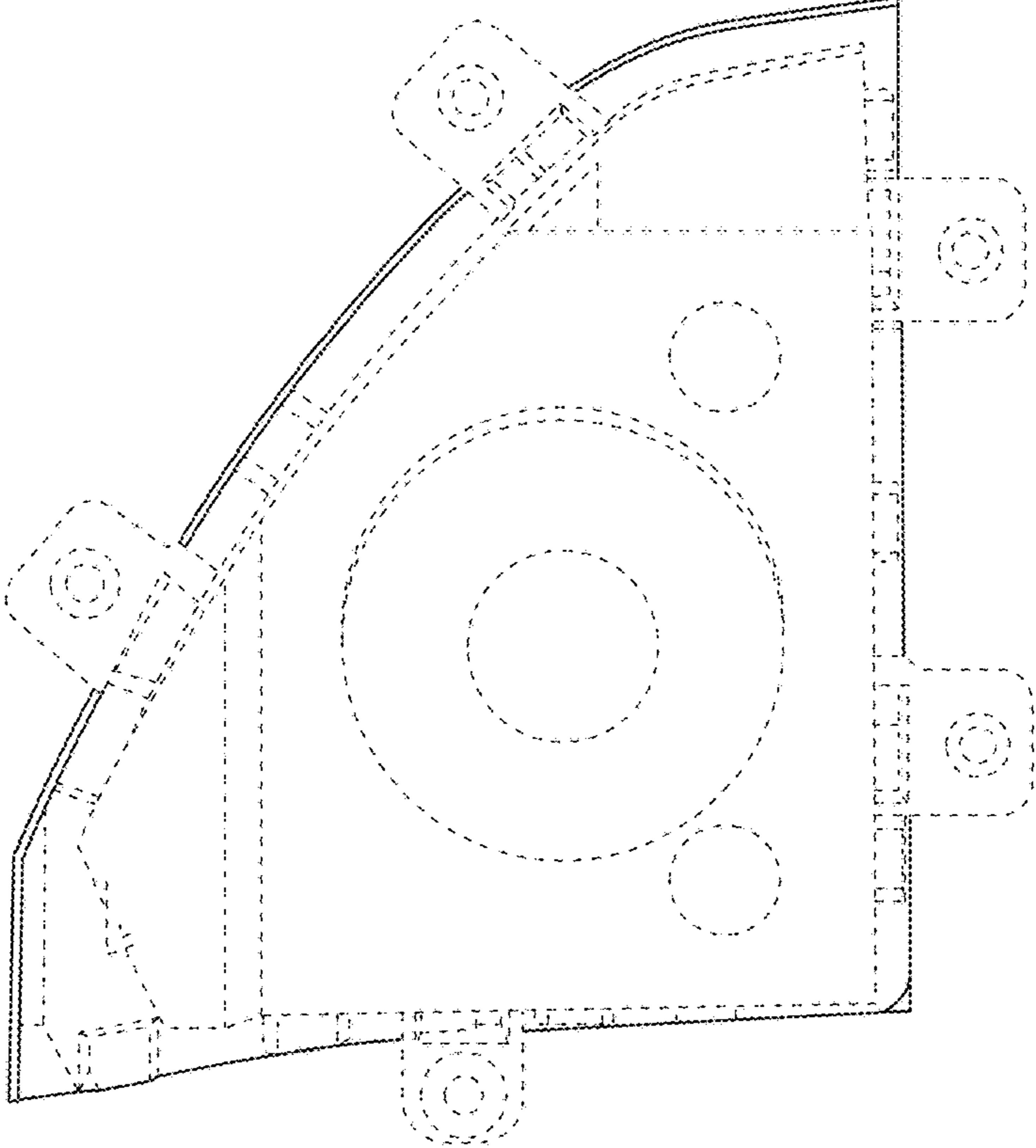


FIG. 3



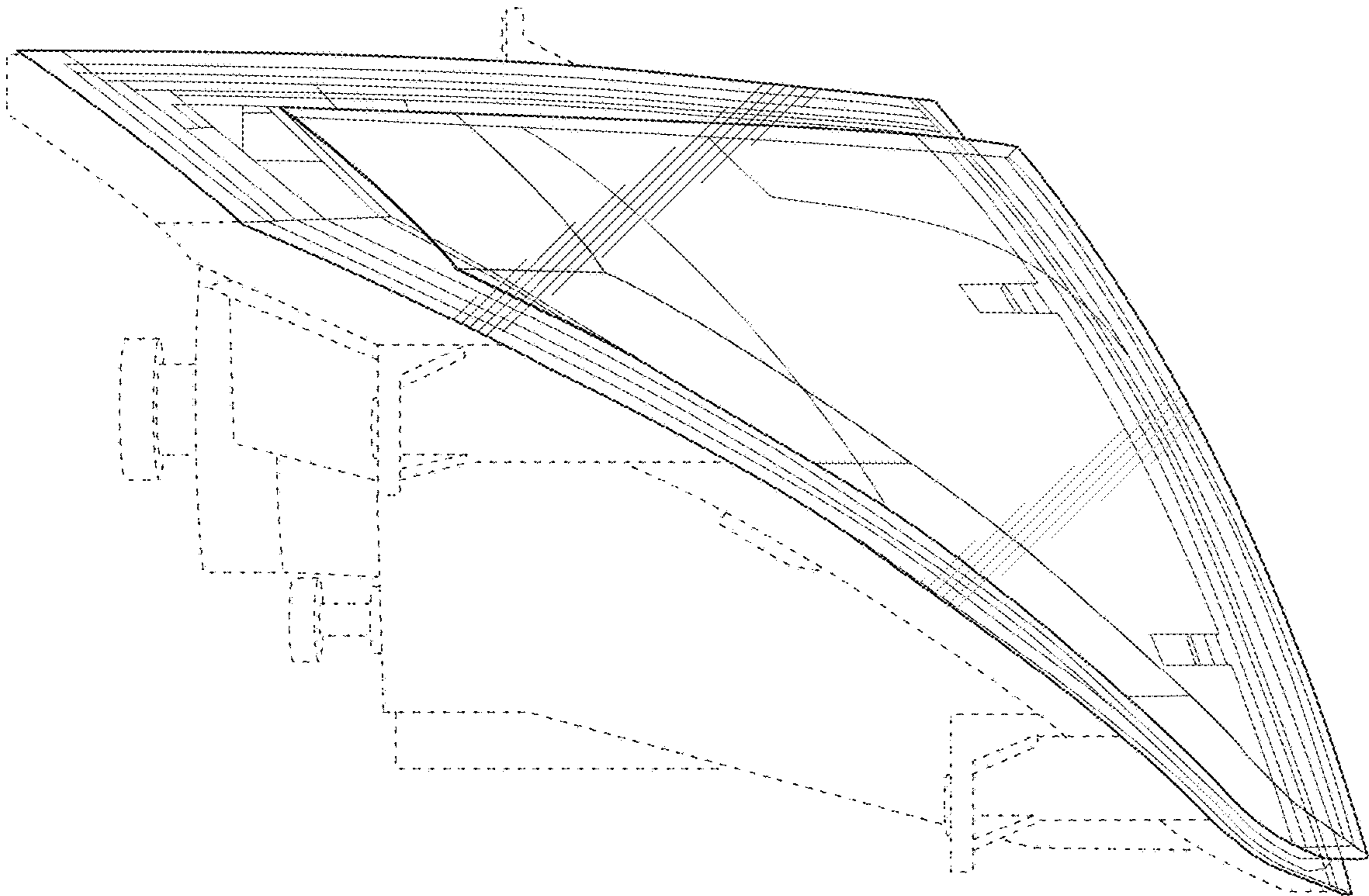
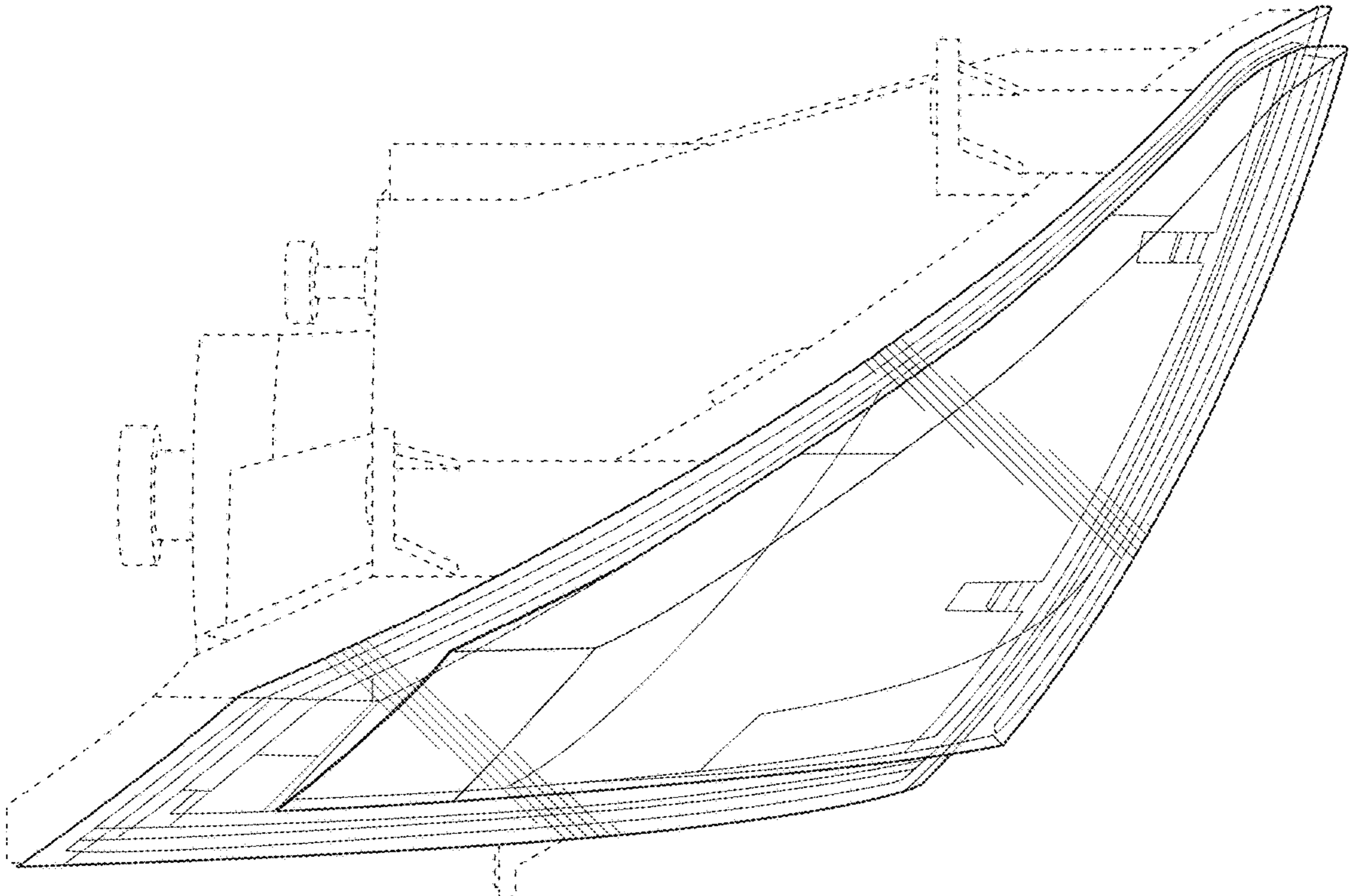


FIG. 4



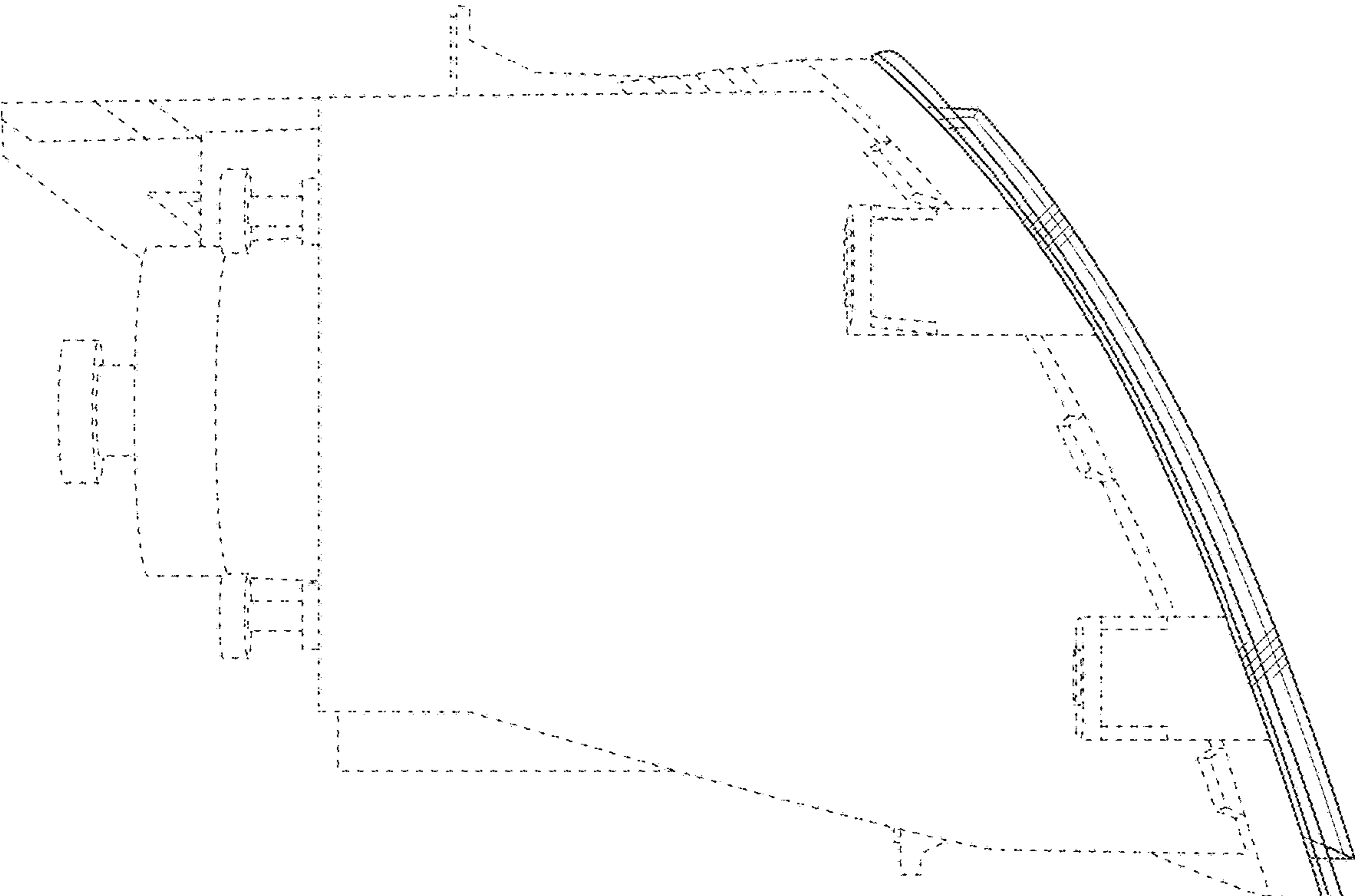
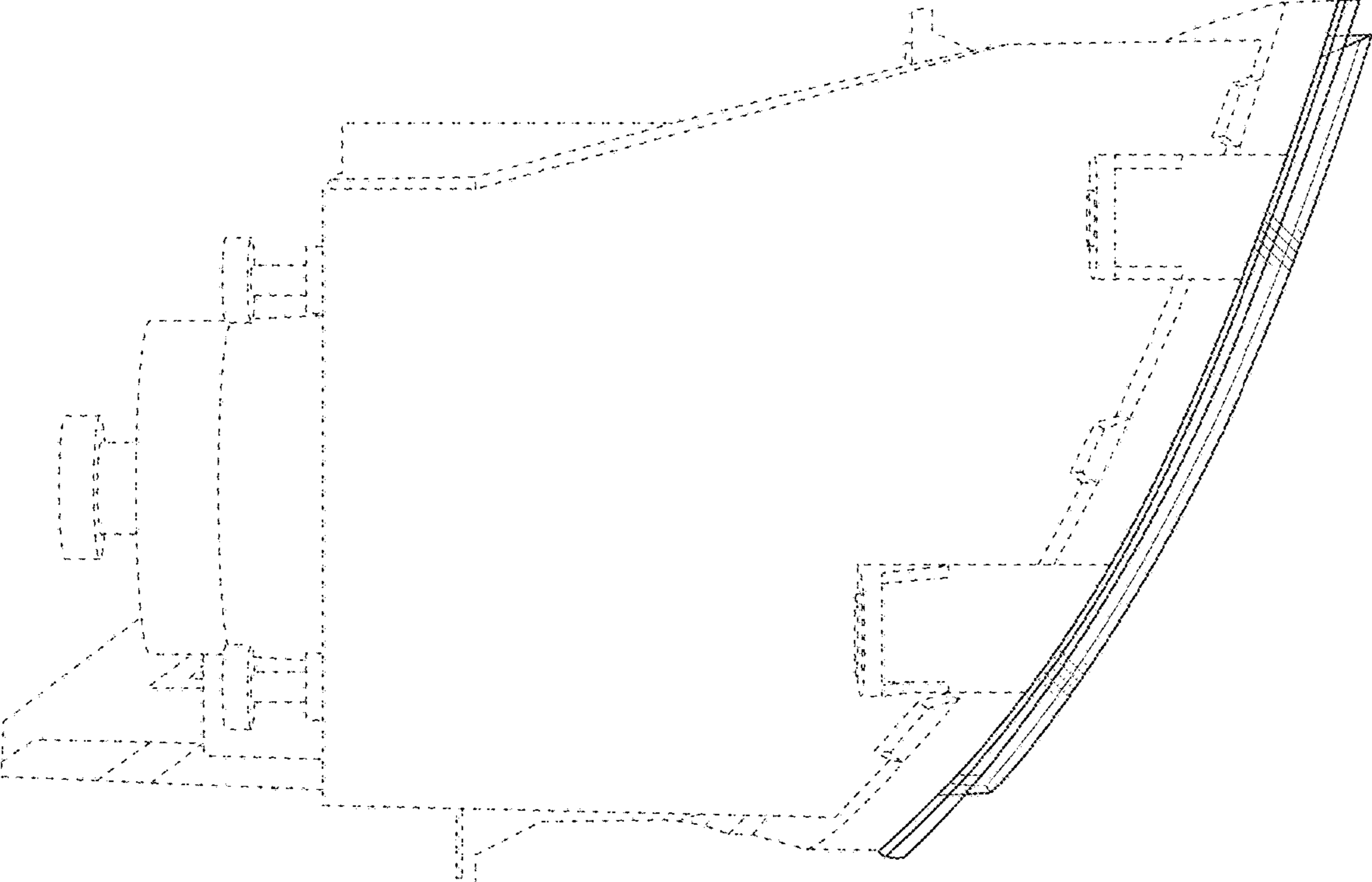


FIG. 5



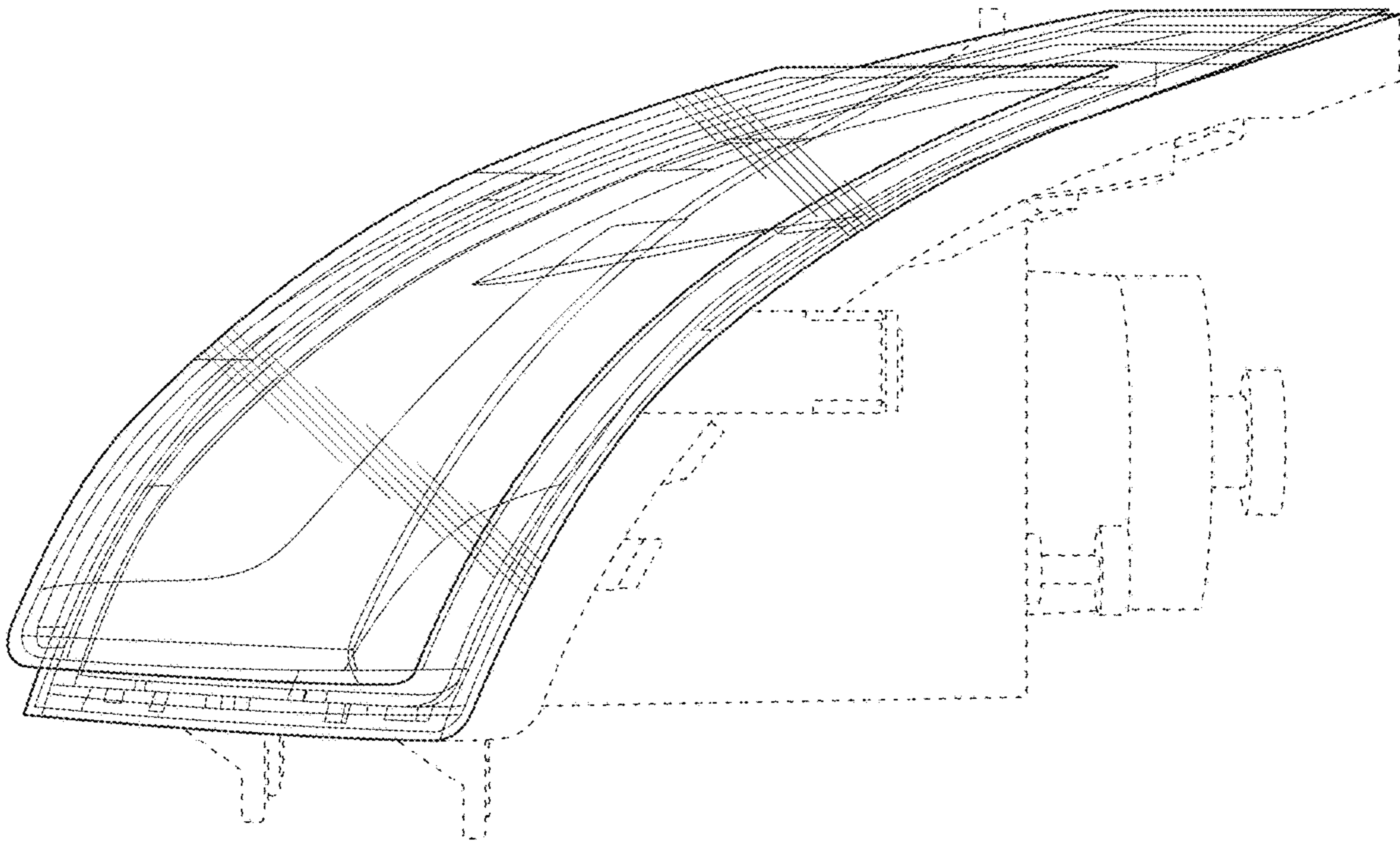


FIG. 6

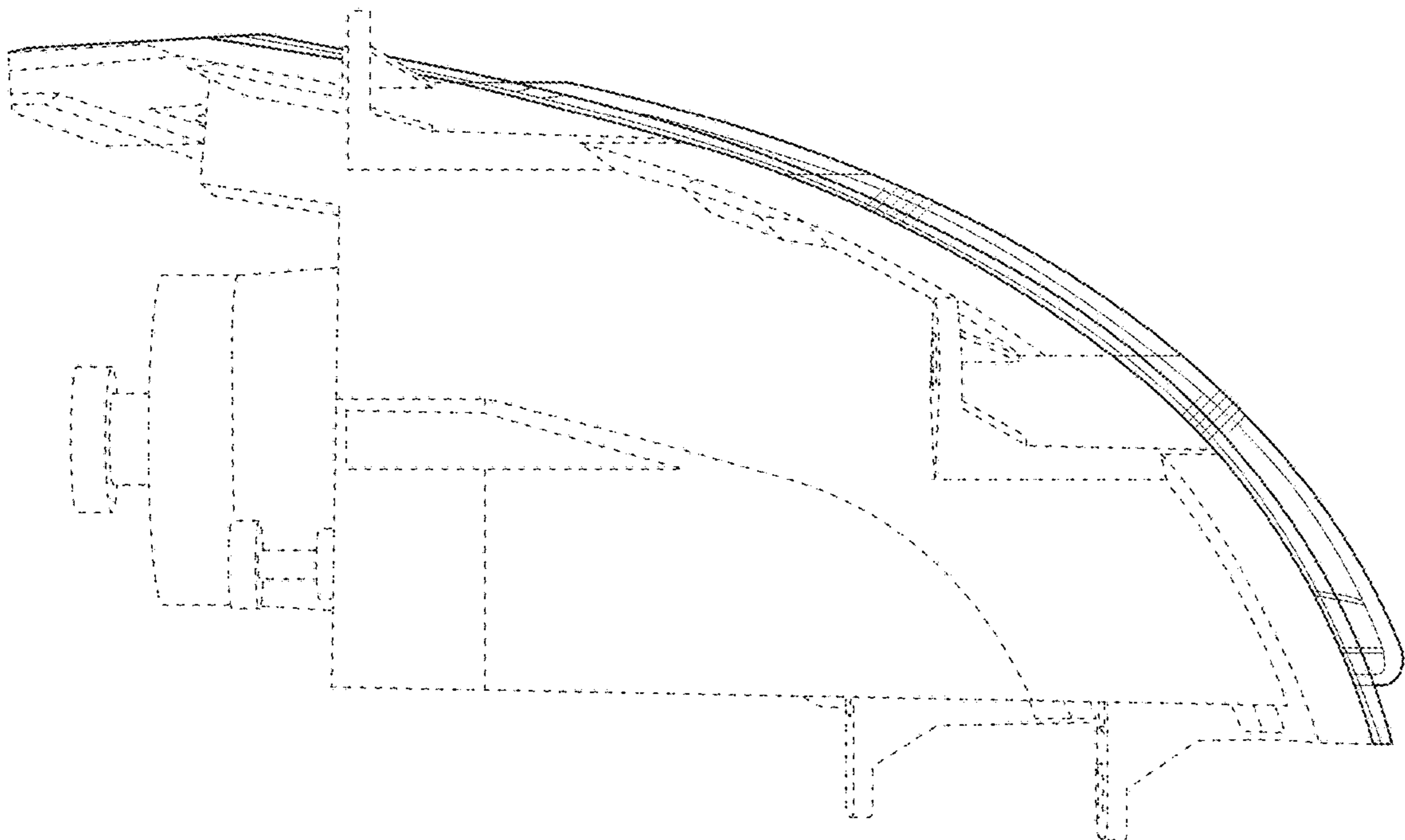


FIG. 7

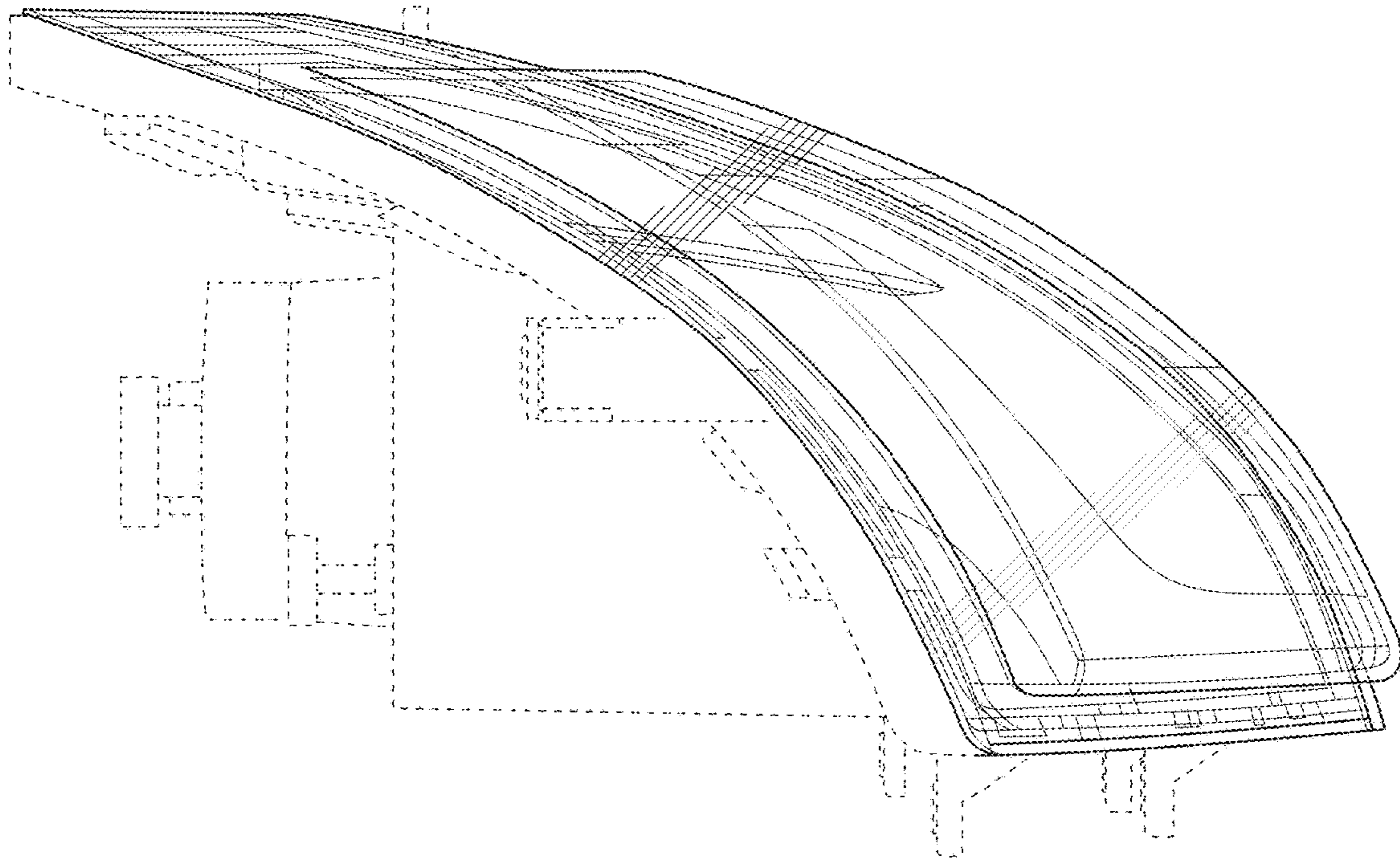


FIG. 8

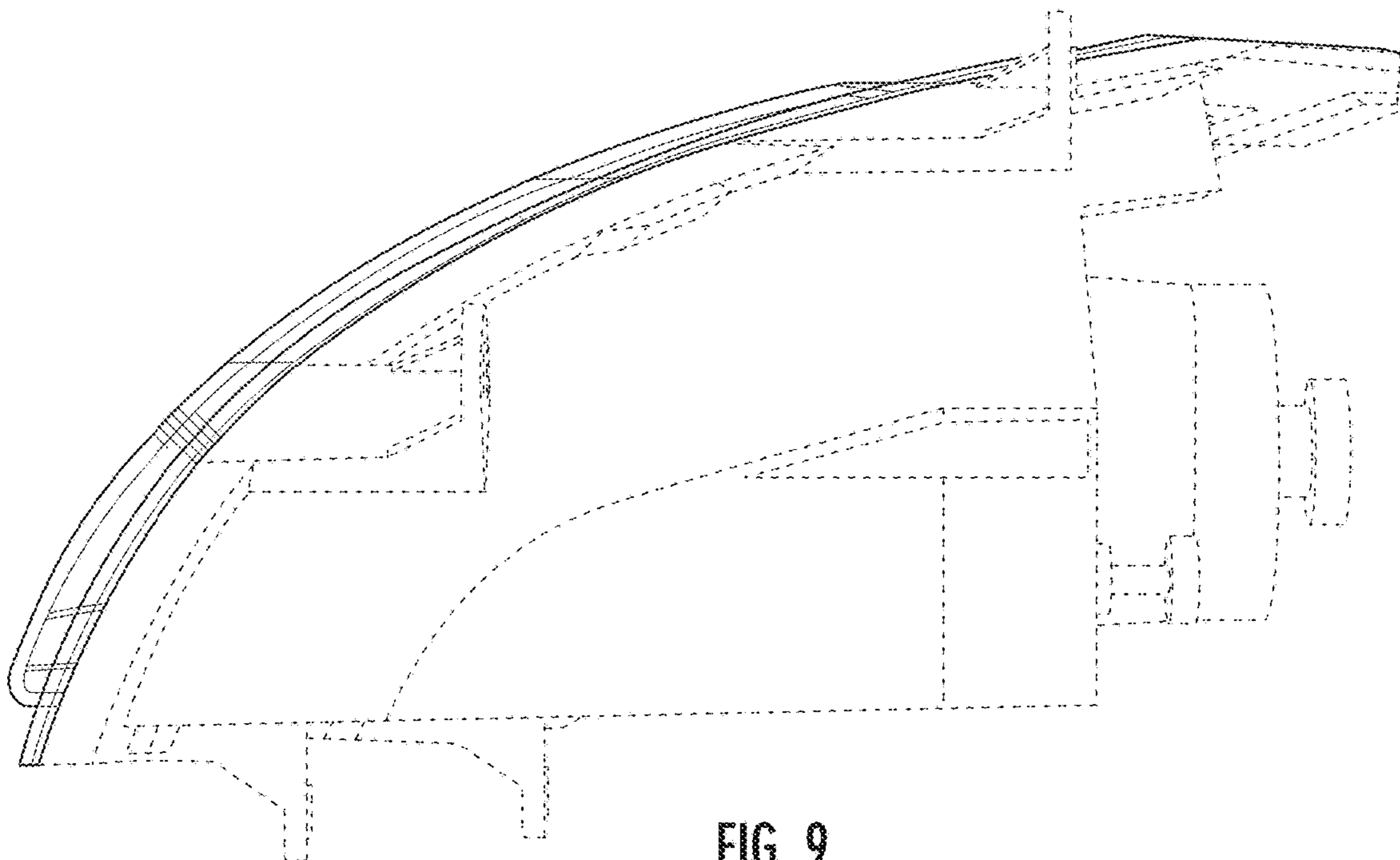


FIG. 9