

US00D856540S

(12) **United States Design Patent** (10) **Patent No.:** **US D856,540 S**
Labesque et al. (45) **Date of Patent:** **** Aug. 13, 2019**

(54) **PHOTOVOLTAIC ROOF TILE**

- (71) Applicant: **Tesla, Inc.**, Palo Alto, CA (US)
- (72) Inventors: **Remy Labesque**, Palo Alto, CA (US);
Daniel Flanigan, Petaluma, CA (US);
Jack West, San Rafael, CA (US);
Brian Atchley, Petaluma, CA (US);
Brian West, Larkspur, CA (US)
- (73) Assignee: **Tesla, Inc.**, Palo Alto, CA (US)
- (**) Term: **15 Years**
- (21) Appl. No.: **29/653,143**
- (22) Filed: **Jun. 12, 2018**

Related U.S. Application Data

- (62) Division of application No. 29/599,295, filed on Mar. 31, 2017, now Pat. No. Des. 821,614.
- (51) **LOC (12) Cl.** **25-01**
- (52) **U.S. Cl.**
USPC **D25/140**
- (58) **Field of Classification Search**
USPC D25/138-141, 143, 144, 157-163;
D13/102
CPC E04D 1/00; E04D 1/02; E04D 1/06; E04D
1/12; E04D 1/18; E04D 1/26; E04D 3/00;
E04D 3/02; E04D 3/16; F24S 2020/10;
F24S 2020/11; F24S 2020/13; F24S
20/66; F24S 20/69
See application file for complete search history.

(56) **References Cited**

U.S. PATENT DOCUMENTS

- D122,867 S * 10/1940 Goldsmith D5/47
- D195,335 S * 6/1963 Speaker D25/163
- D222,045 S * 9/1971 Ottinger et al. D25/163
- D229,676 S * 12/1973 Koch D25/163
- D441,466 S * 5/2001 Boone D25/163

(Continued)

OTHER PUBLICATIONS

Elon Musk Pitches New Custom Solar Panels On Hollywood Backlot (on-line), dated Oct. 31, 2016. Retrieved from Internet Jan. 17, 2018, URL: <https://www.hybridcars.com/elon-musk-pitches-new-custom-solar-panels-on-hollywood-backlot/> (2 pages) (Year: 2016).*

(Continued)

Primary Examiner — Kevin K Rudzinski

Assistant Examiner — Kimberly Barnes

(74) *Attorney, Agent, or Firm* — Kilpatrick Townsend & Stockton LLP

(57) **CLAIM**

The ornamental design for a photovoltaic roof tile, as shown and described.

DESCRIPTION

The file of this patent contains at least one drawing/photograph executed in color. Copies of this patent with color drawing(s)/photograph(s) will be provided by the office upon request and payment of the necessary fee.

FIG. 1 is a top front perspective view of a photovoltaic roof tile showing the claimed design;

FIG. 2 is a top rear perspective view thereof;

FIG. 3 is a top view thereof;

FIG. 4 is a left side view thereof;

FIG. 5 is a right side view thereof;

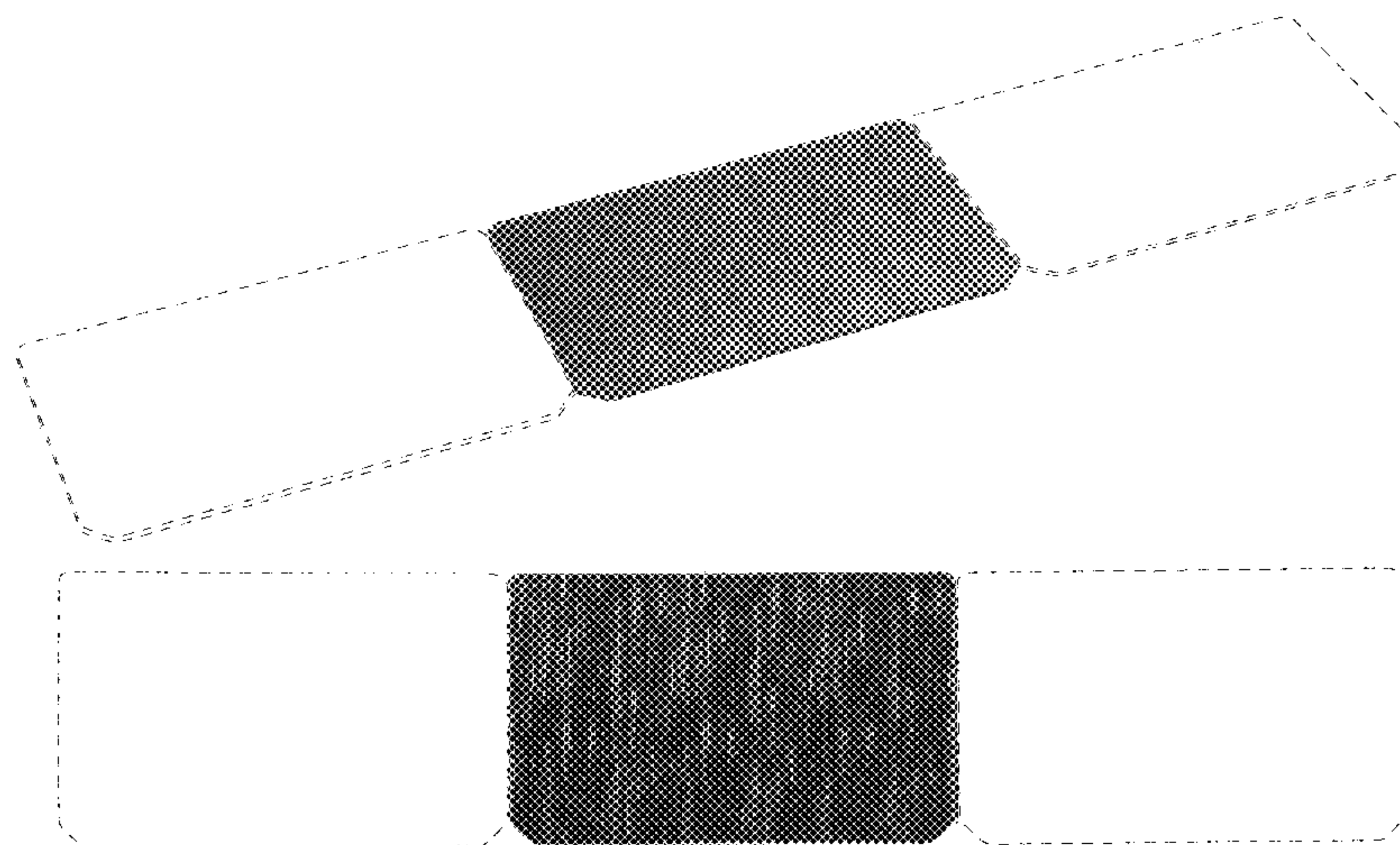
FIG. 6 is a front view thereof; and,

FIG. 7 is a rear view thereof.

Portions of the photovoltaic roof tile that are not shown form no part of the claimed design.

The dashed broken lines in the figures show portions of the photovoltaic roof tile that form no part of the claimed design.

1 Claim, 2 Drawing Sheets
(2 of 2 Drawing Sheet(s) Filed in Color)



(56)

References Cited

U.S. PATENT DOCUMENTS

6,224,701 B1 * 5/2001 Bryant E04F 13/0864
156/227
D536,534 S * 2/2007 Harkenrider D5/60
D629,128 S * 12/2010 Lim D25/138
D731,798 S * 6/2015 Korkala D5/60
9,091,086 B2 * 7/2015 Michalski E04F 13/0894
D814,402 S * 4/2018 Cheung D13/102
9,966,898 B1 * 5/2018 Flanigan H02S 20/25
D821,614 S * 6/2018 Labesque D25/140
D833,382 S * 11/2018 Labesque D13/102
10,196,821 B2 * 2/2019 Anderson E04D 1/30
2018/0351502 A1 * 12/2018 Almy H02S 20/25
2019/0020301 A1 * 1/2019 Flanigan H02S 20/25

OTHER PUBLICATIONS

Tesla Solar Roof Cost and More: Solar Glass Shingles & Tiles (on-line), dated May 12, 2017. Retrieved from Internet Mar. 13, 2019, URL: <https://web.archive.org/web/20170512142059/https://www.roofingcalc.com/tesla-solar-roof-cost/> (2 pages) (Year: 2017).*

Tesla Solar—Tesla (on-line), dated May 30, 2017. Retrieved from Internet Mar. 13, 2019, URL: <https://web.archive.org/web/20170530134048/https://www.tesla.com/solarroof> (2 pages) (Year: 2017).*

Tesla/SolarCity's Solar Roof: Solar Shingles Reimagined | EnergySage (on-line), dated Nov. 7, 2016. Retrieved from Internet Mar. 13, 2019, URL: <https://web.archive.org/web/20161107035834/https://news.energysage.com/tesla-solar-panel-roof-the-next-solar-shingles/> (5 pages) (Year: 2016).*

* cited by examiner

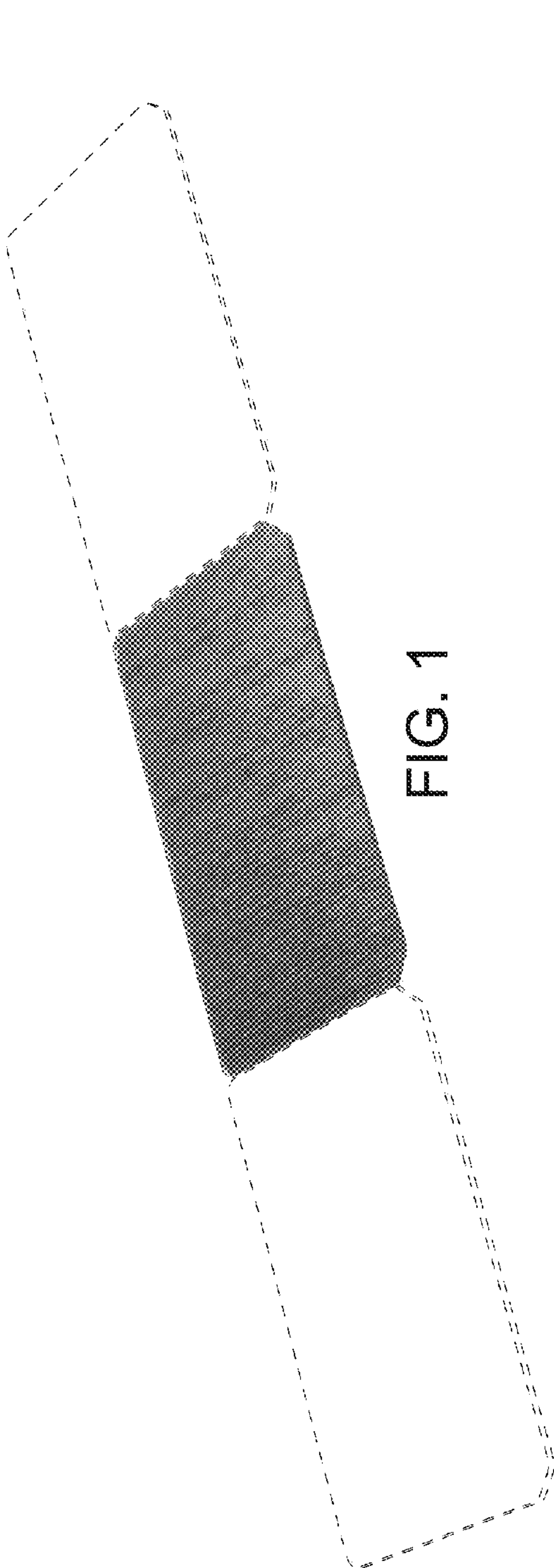


FIG. 1

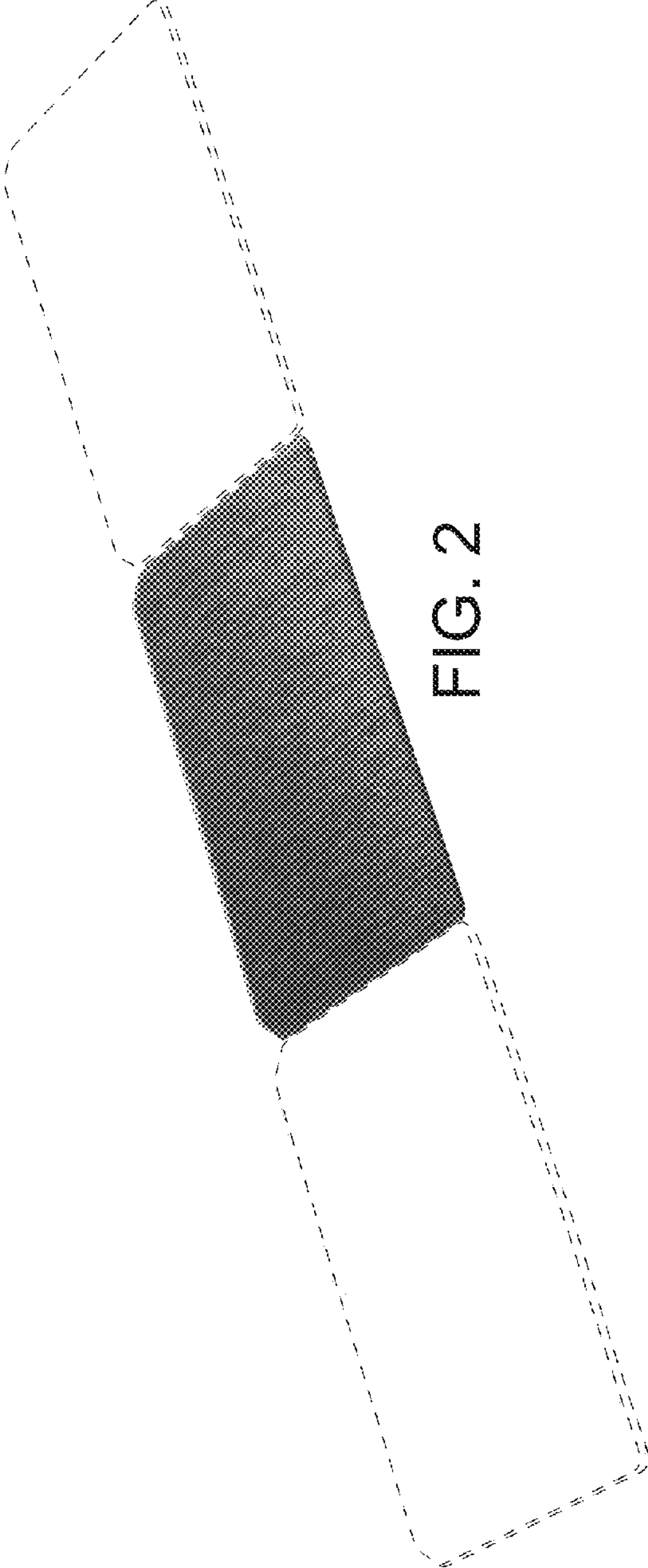


FIG. 2

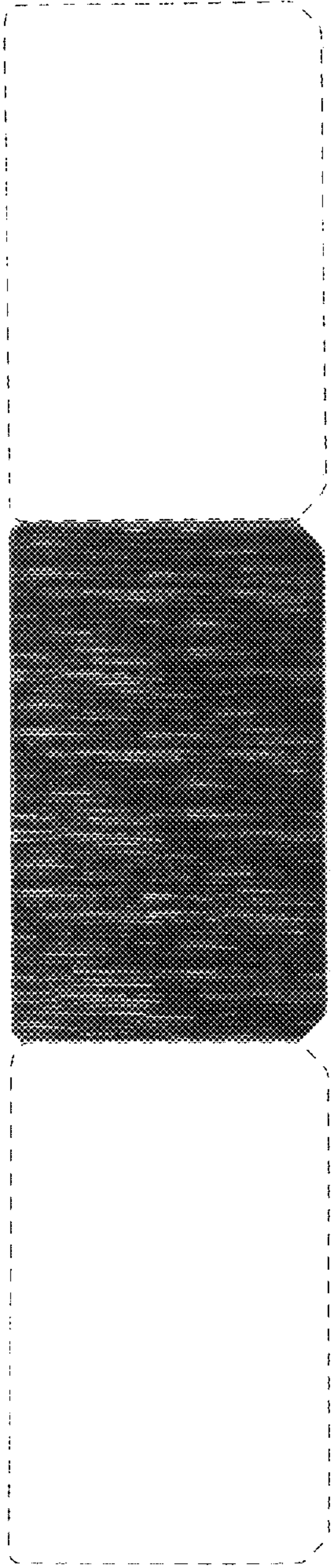


FIG. 3

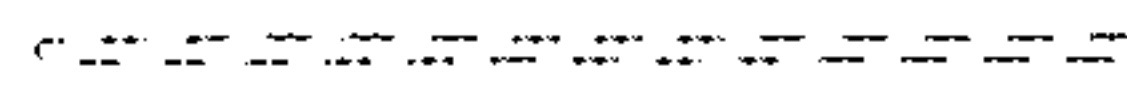


FIG. 4

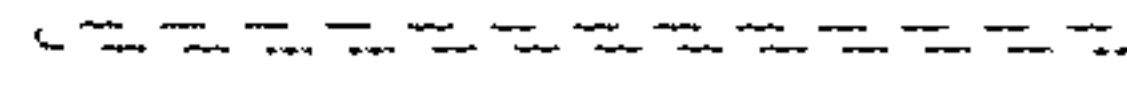


FIG. 5



FIG. 6



FIG. 7