



US00D856537S

(12) **United States Design Patent**
Crawley et al.

(10) **Patent No.:** **US D856,537 S**

(45) **Date of Patent:** **** Aug. 13, 2019**

(54) **CORD RETAINING MEMBER OF A STANCHION OF A BARRIER ASSEMBLY**

(71) Applicant: **TENSATOR GROUP LTD**, Milton Keynes (GB)

(72) Inventors: **Peter Crawley**, Milton Keynes (GB);
Ben Sully, Milton Keynes (GB)

(**) Term: **15 Years**

(21) Appl. No.: **35/504,962**

(22) Filed: **Apr. 5, 2018**

(80) **Hague Agreement Data**

Int. Filing Date: **Apr. 5, 2018**

Int. Reg. No.: **DM/101001**

Int. Reg. Date: **Apr. 5, 2018**

Int. Reg. Pub. Date: **May 18, 2018**

(51) **LOC (12) Cl.** **25-01**

(52) **U.S. Cl.**
USPC **D25/131**

(58) **Field of Classification Search**
USPC D10/113.2; 116/63 R, 63 P, 63 C;
D25/103-135, 47.1, 48.7, 60, 48.1;
D8/350, 351, 352, 353, 354; D26/22, 23;
40/564, 606.12; 256/65.14; D6/672,
D6/677, 702, 712
CPC E01F 9/012; E01F 9/0122; E01F 9/654;
E01F 9/688; E01F 13/028; E01F 9/669;
B25B 13/06; B25B 23/0035; E04F
11/1812; E04F 21/26; Y10T 29/49881
See application file for complete search history.

(56) **References Cited**

U.S. PATENT DOCUMENTS

5,485,700 A * 1/1996 Van Vranken E04H 12/2238
116/173
D556,915 S * 12/2007 Tuncel D25/48.6

D737,997 S * 9/2015 Cassidy D25/133
D740,447 S * 10/2015 Webster D25/133
D752,246 S * 3/2016 Točev D25/114
D775,935 S * 1/2017 Sarajian D8/354
D792,195 S * 7/2017 Carpinella D8/354
D792,613 S * 7/2017 Bar-or D25/126
D814,064 S * 3/2018 Alvin D25/122
D817,122 S * 5/2018 Ming D8/1
D824,747 S * 8/2018 Briese D8/343
2013/0333610 A1 * 12/2013 Eccless E01F 9/688
116/63 C
2016/0090702 A1 * 3/2016 Peacock A63C 19/062
116/63 C

* cited by examiner

Primary Examiner — George D. Kirschbaum

Assistant Examiner — Samantha Q Lawrence

(74) *Attorney, Agent, or Firm* — Serjeants LLP

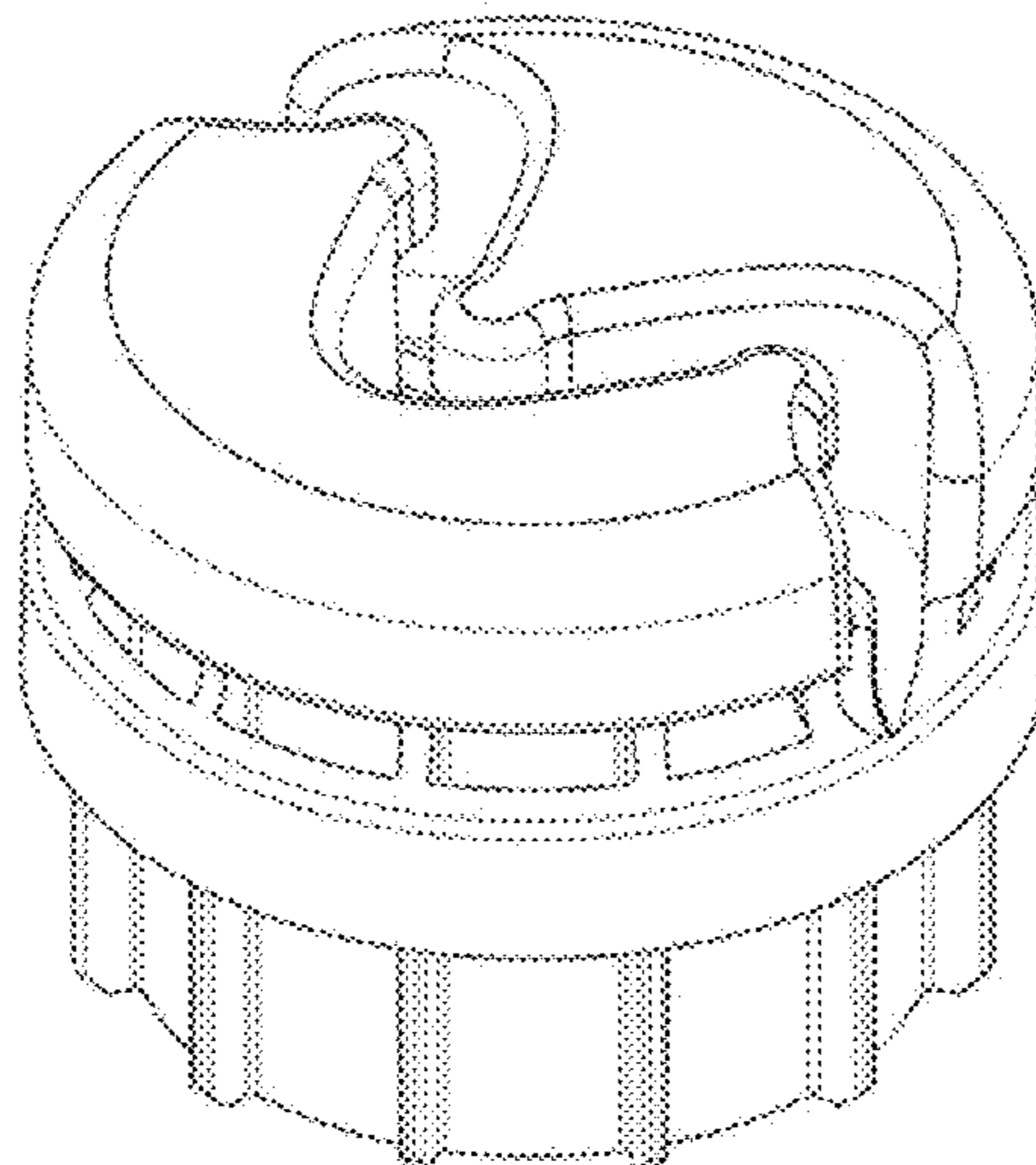
(57) **CLAIM**

The ornamental design for a cord retaining member of a stanchion of a barrier assembly, as shown and described.

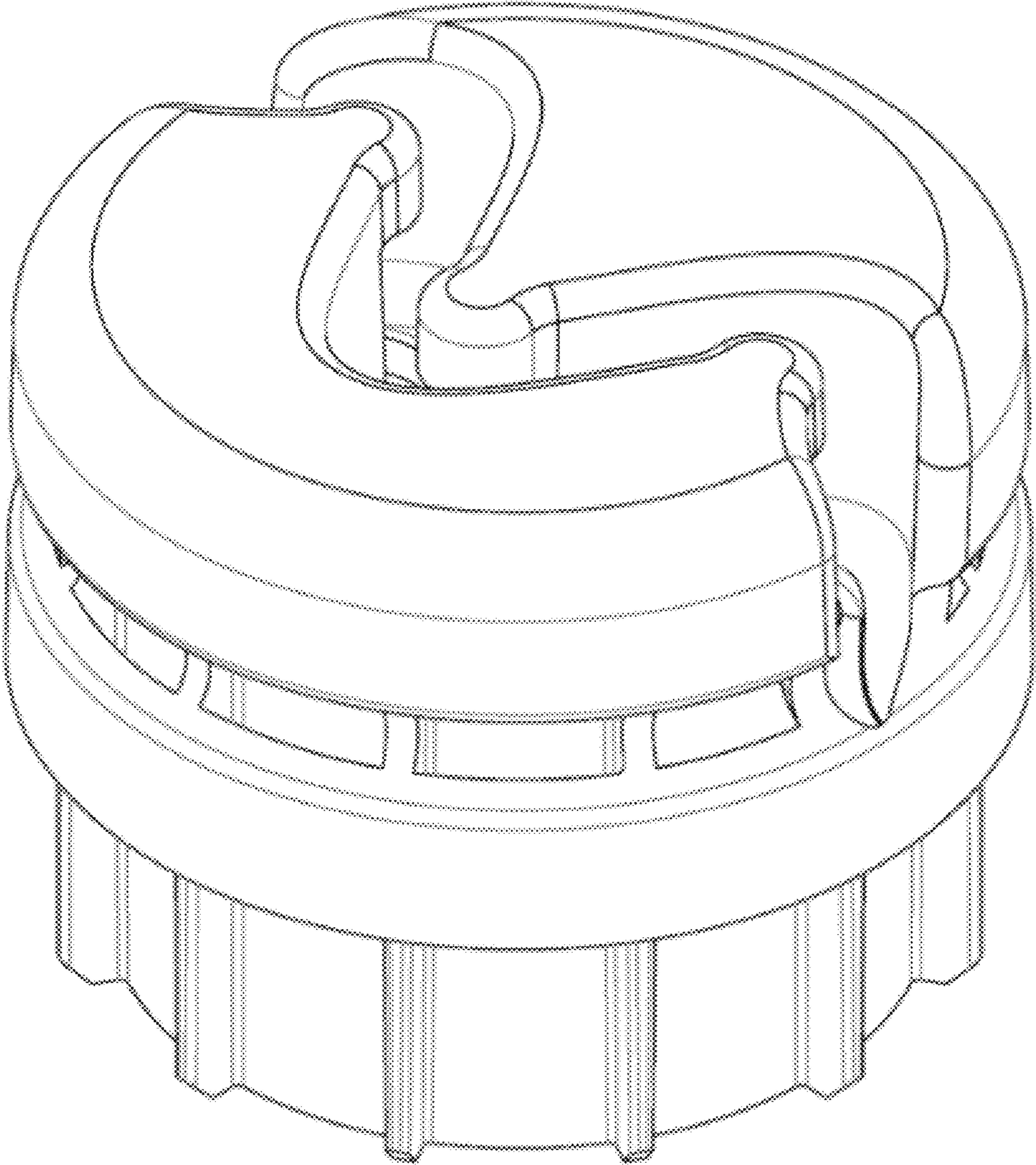
DESCRIPTION

1. Cord retaining member of a stanchion of a barrier assembly
Figure 1.1 is a perspective view of a cord retaining member of a stanchion of a barrier assembly;
Figure 1.2 is a top view thereof;
Figure 1.3 is a side view thereof;
Figure 1.4 is another side view thereof;
Figure 1.5 is another side view thereof; and
Figure 1.6 is another side view thereof.

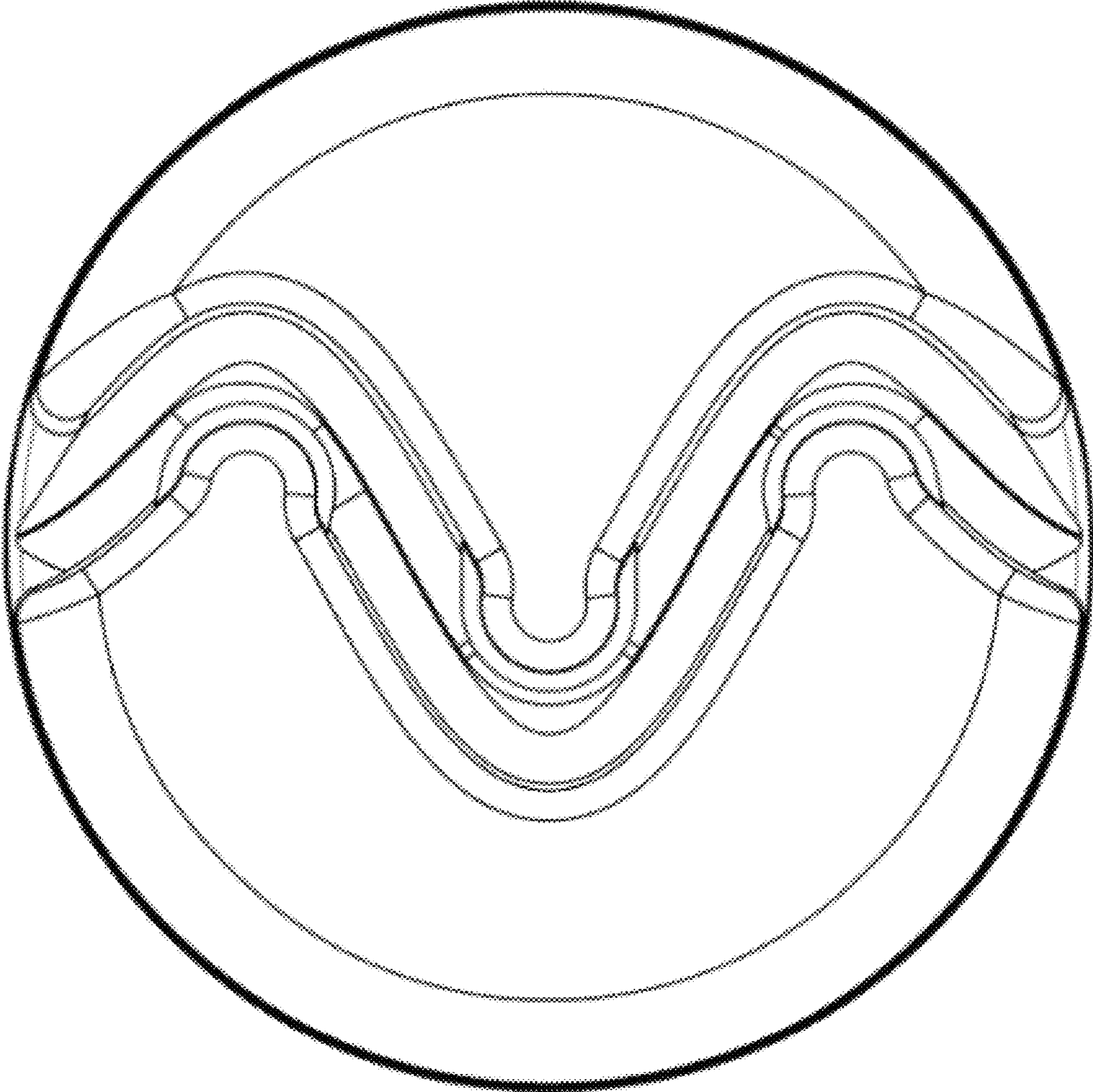
1 Claim, 6 Drawing Sheets



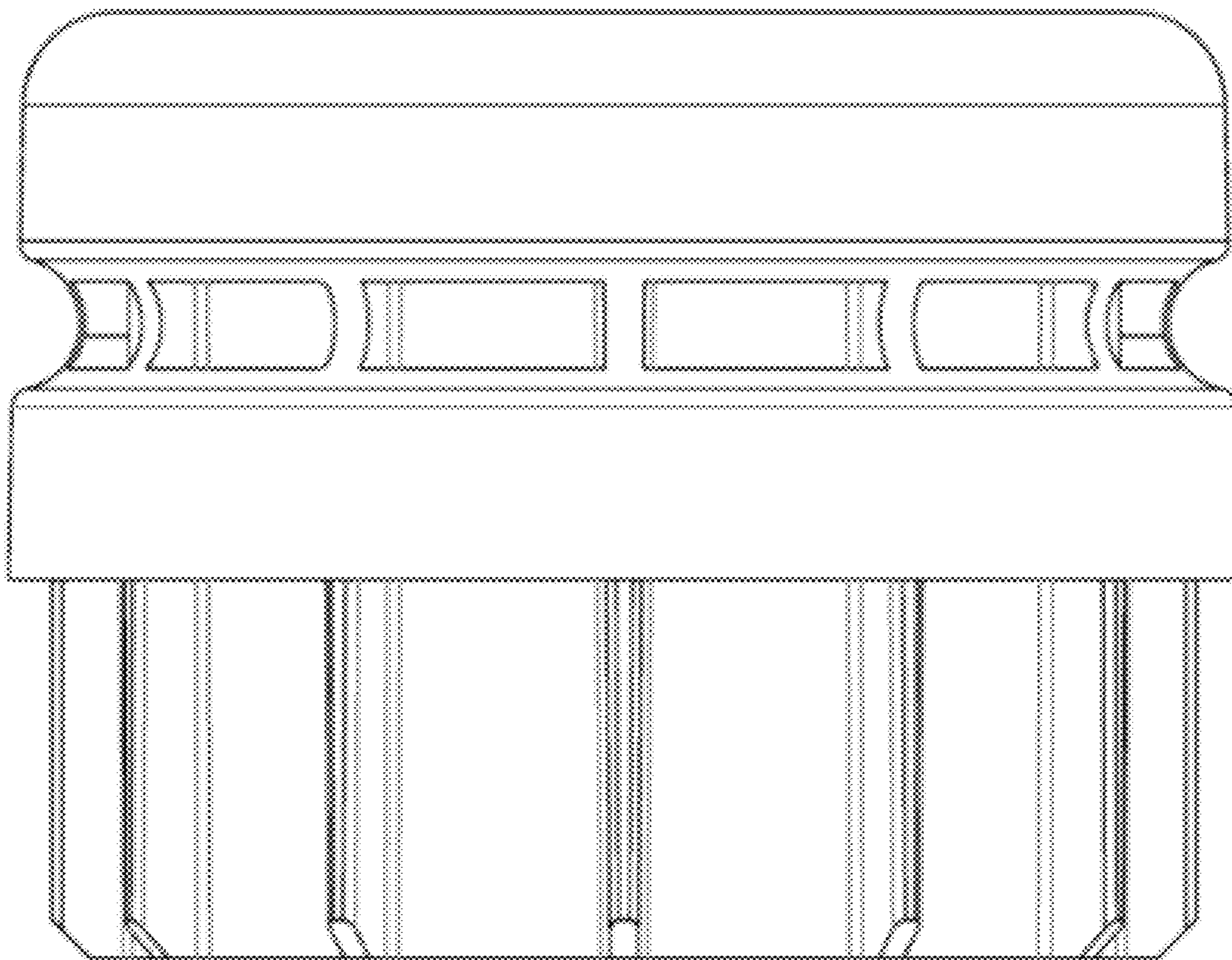
1.1



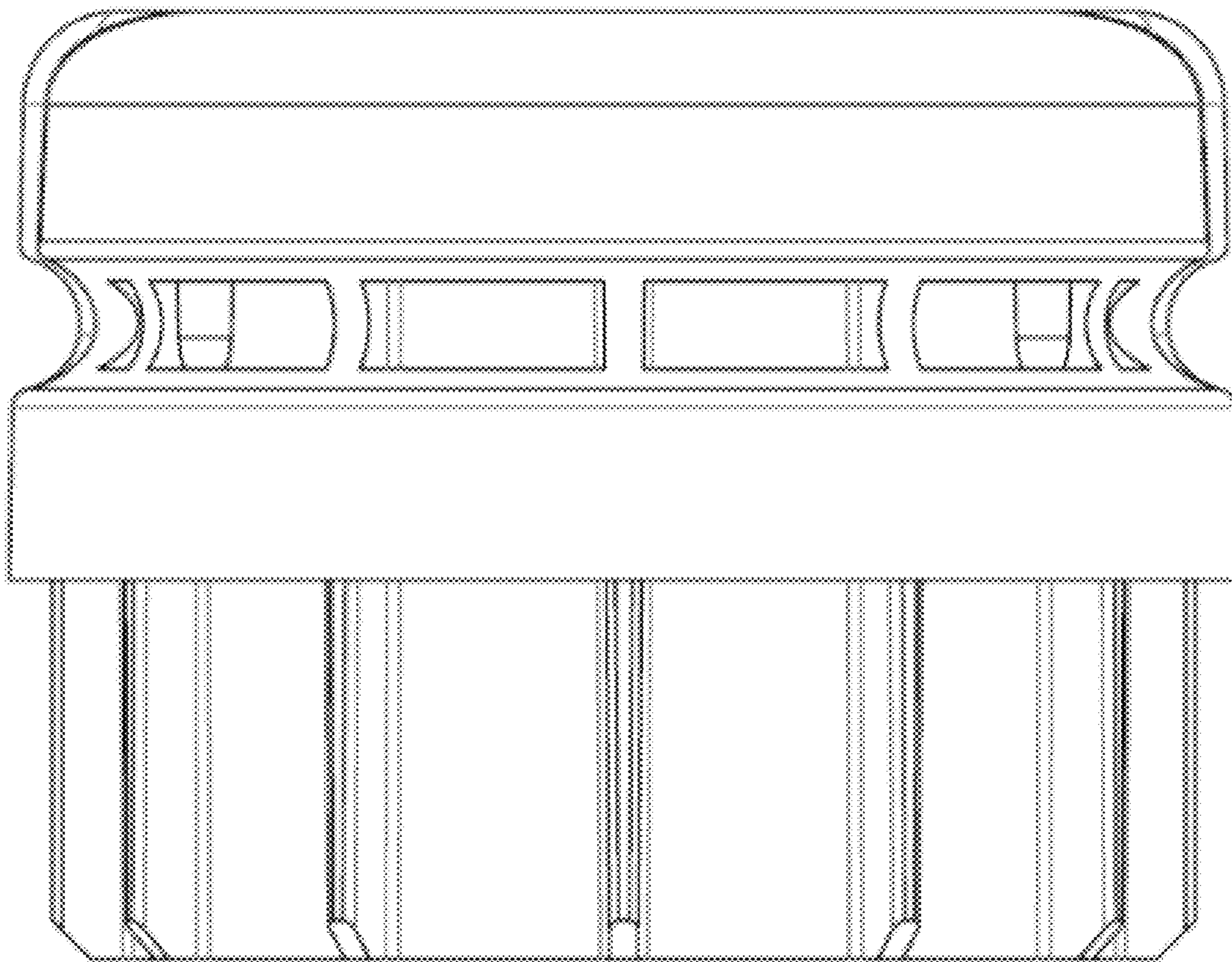
1.2



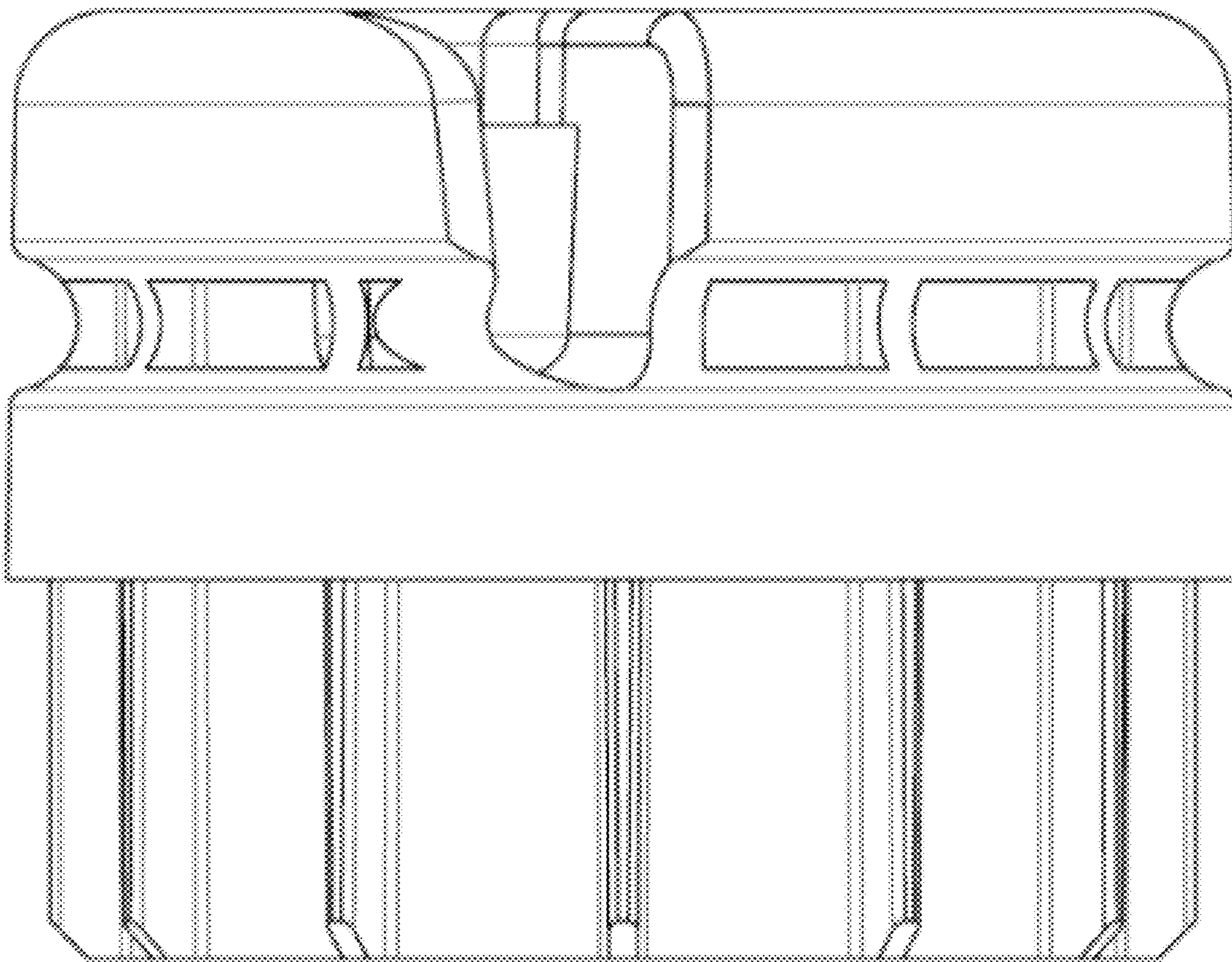
1.3



1.4



1.5



1.6

