



US00D856536S

(12) **United States Design Patent**
Hay, III

(10) **Patent No.:** **US D856,536 S**

(45) **Date of Patent:** **** Aug. 13, 2019**

(54) **COMBINED WINDOW FRAME LINEAL WITH EXTENSION AND CAP**

(71) Applicant: **Hawkes Design and Consulting, LLC**,
Charleston, SC (US)

(72) Inventor: **Henry M. Hay, III**, Charleston, SC
(US)

(73) Assignee: **Hawkes Design and Consulting, LLC**,
Charleston, SC (US)

(**) Term: **15 Years**

(21) Appl. No.: **29/643,581**

(22) Filed: **Apr. 10, 2018**

(51) **LOC (12) Cl.** **25-01**

(52) **U.S. Cl.**
USPC **D25/124**

(58) **Field of Classification Search**
USPC D25/48.1, 48.2, 48.3, 60, 61, 119-126,
D25/164, 199

CPC ... E06B 1/02; E06B 1/04; E06B 1/045; E06B
1/12; E06B 1/14; E06B 1/2403; E06B
1/26; E06B 1/28; E06B 1/34; E06B
1/342; E06B 1/52; E06B 1/524; E06B
1/64; E06B 1/68; E06B 3/00; E06B 3/06;
E06B 3/26; E06B 7/00; E06B 7/02; E06B
7/14; E06B 7/16; E06B 7/18; E06B 7/22;
E06B 7/26; E04C 3/00; E04C 3/005;
E04C 3/02; E04C 3/04; E04C 3/12; E04C
3/127; E04C 3/20; E04C 3/28; E04C
3/29; E04C 3/30

See application file for complete search history.

(56) **References Cited**

U.S. PATENT DOCUMENTS

D263,755 S * 4/1982 Dallaire D25/122
5,560,149 A 10/1996 Lafevre

5,603,190 A 2/1997 Sanford
D381,087 S * 7/1997 DiGiorgio D25/123
5,778,629 A 7/1998 Howes
D429,532 S * 8/2000 Siudzinski D25/124
D435,670 S * 12/2000 Crish, II D25/124
6,155,009 A 12/2000 Pena
6,289,642 B1 9/2001 Diamond
6,314,689 B1 11/2001 Hughes
6,363,669 B1 4/2002 Hoffman
6,502,355 B1 1/2003 Bori
6,564,517 B1 5/2003 Hanssen
6,640,509 B2 11/2003 Clewis
6,705,054 B2 3/2004 Pelton
6,898,907 B2 5/2005 Diamond

(Continued)

Primary Examiner — Cynthia Ramirez

Assistant Examiner — L. Martinez

(74) *Attorney, Agent, or Firm* — Nexsen Pruet, LLC;
Michael A. Mann

(57) **CLAIM**

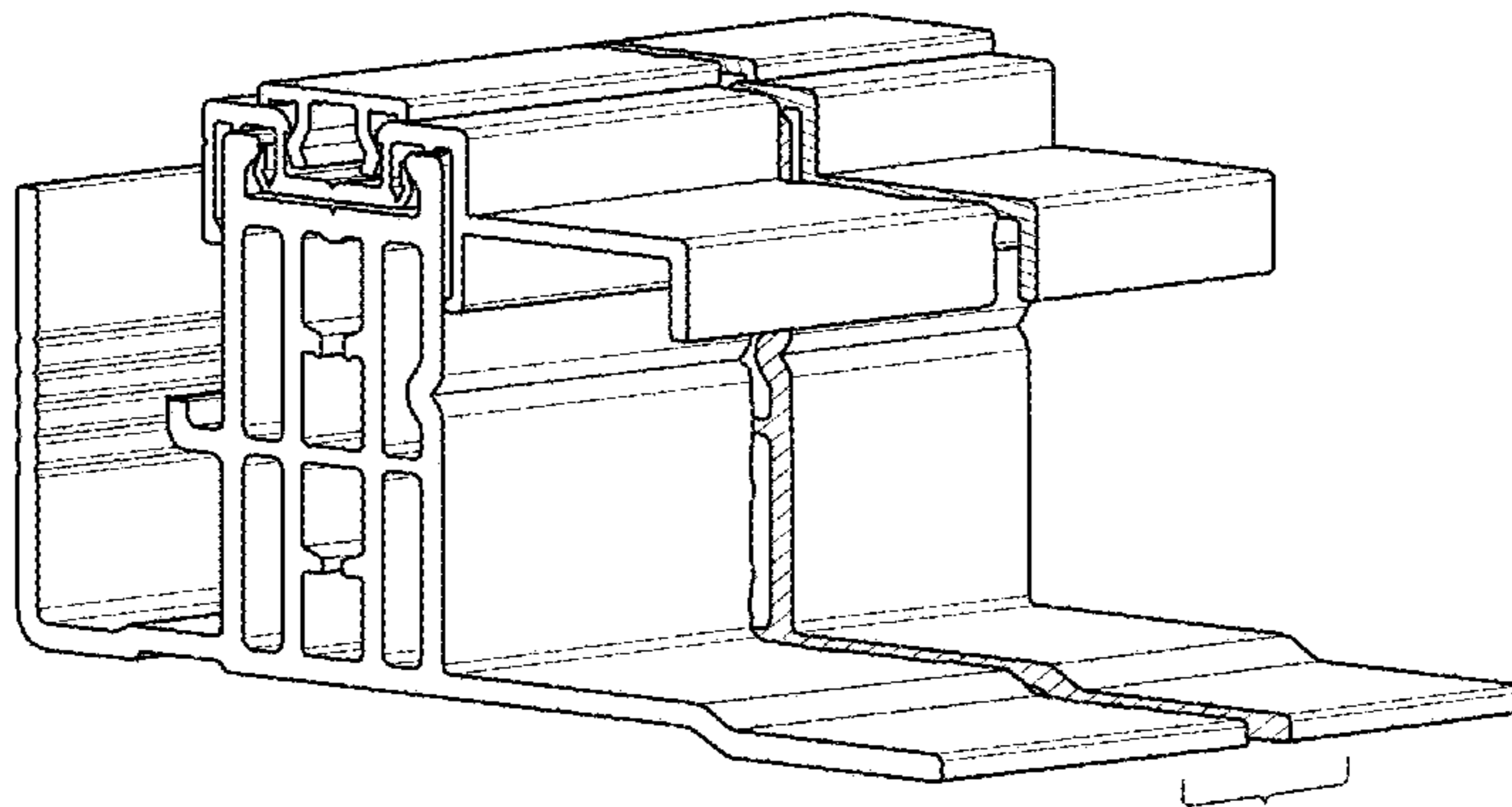
The ornamental design for the combined window frame lineal with extension and cap, as shown and described.

DESCRIPTION

FIG. 1 is an upper right perspective view of the combined window frame lineal with extension and cap, showing my new design;
FIG. 2 is an exploded, upper right perspective view thereof;
FIG. 3 is a front view thereof;
FIG. 4 is a rear view thereof;
FIG. 5 is right side view thereof;
FIG. 6 is left side view thereof;
FIG. 7 is a top view thereof; and,
FIG. 8 is a bottom view thereof.

The combined window frame lineal with extension and cap is shown with a symbolic break in its length. The appearance of any portion of the combined window frame lineal with extension and cap between the break lines forms no part of the claimed design.

1 Claim, 6 Drawing Sheets



(56)

References Cited

U.S. PATENT DOCUMENTS

D557,429 S * 12/2007 Bullock, Jr. D25/119
7,305,800 B1 12/2007 Calfee
D584,427 S * 1/2009 Chaney D25/124
7,533,501 B2 5/2009 Neal
7,836,777 B2 11/2010 Keller et al.
D640,395 S * 6/2011 Wickland D25/124
RE43,251 E * 3/2012 Anderson E06B 1/28
49/504
D734,871 S * 7/2015 Wright D25/119
9,790,735 B2 10/2017 Trott
D834,217 S * 11/2018 Lee D25/124
2005/0028460 A1 * 2/2005 Steffek E06B 3/24
52/204.5
2005/0210781 A1 9/2005 Lawrence
2005/0266187 A1 12/2005 Smith et al.
2008/0176051 A1 7/2008 Nguyen et al.
2008/0196331 A1 8/2008 Boyd
2010/0146881 A1 6/2010 Frammer et al.
2010/0186641 A1 7/2010 Hay, III et al.
2014/0199512 A1 * 7/2014 Abramson E06B 7/22
428/95
2015/0040492 A1 2/2015 Rafter
2015/0090411 A1 4/2015 Pyles et al.
2016/0145934 A1 5/2016 Trott
2017/0058593 A1 * 3/2017 Albrecht E06B 7/14
2017/0114587 A1 * 4/2017 Rochon E06B 1/52
2018/0117881 A1 5/2018 Pyles et al.
2018/0258687 A1 * 9/2018 Campbell E06B 1/34
2018/0283083 A1 * 10/2018 Mayo E06B 1/52

* cited by examiner

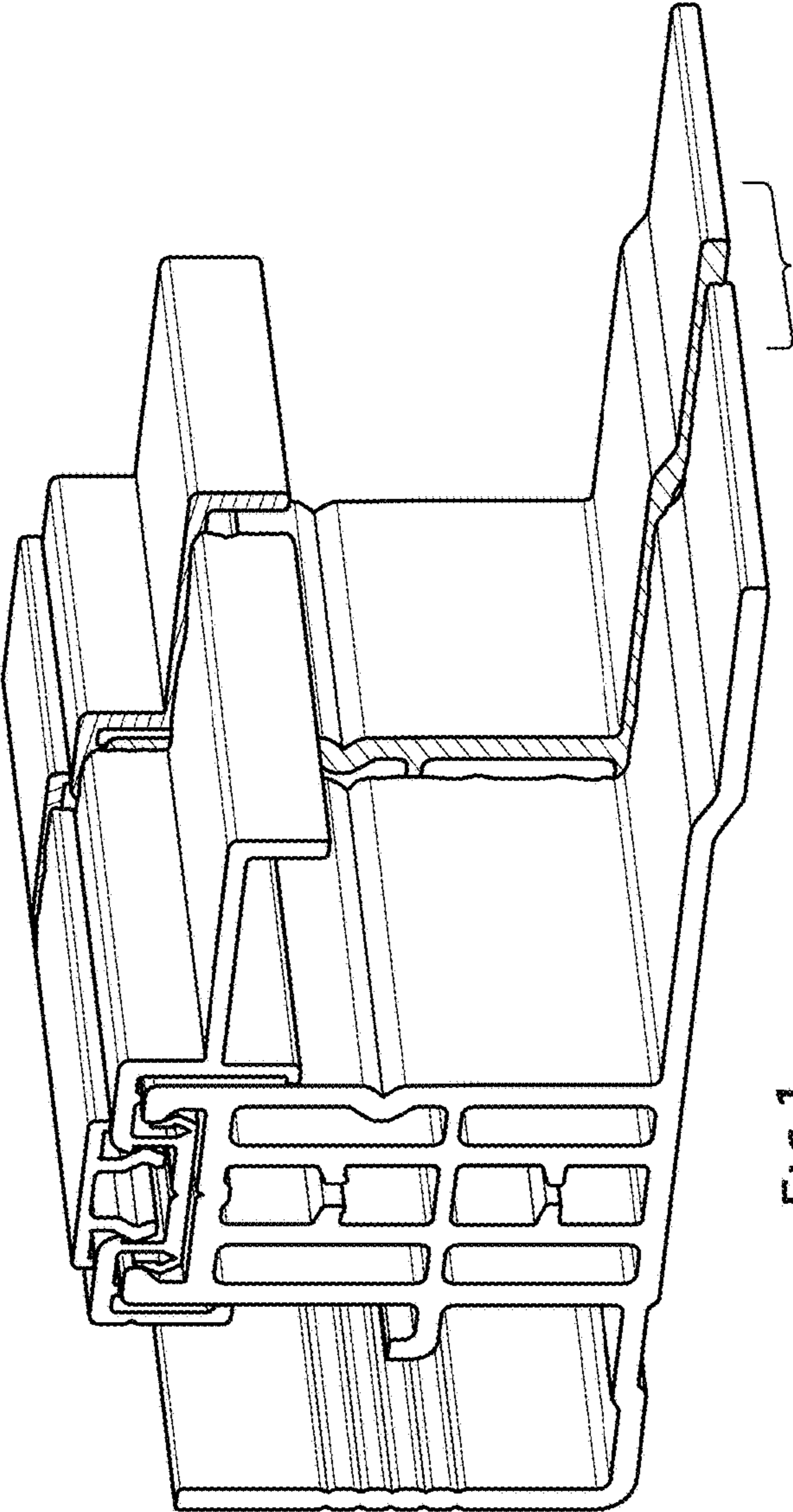
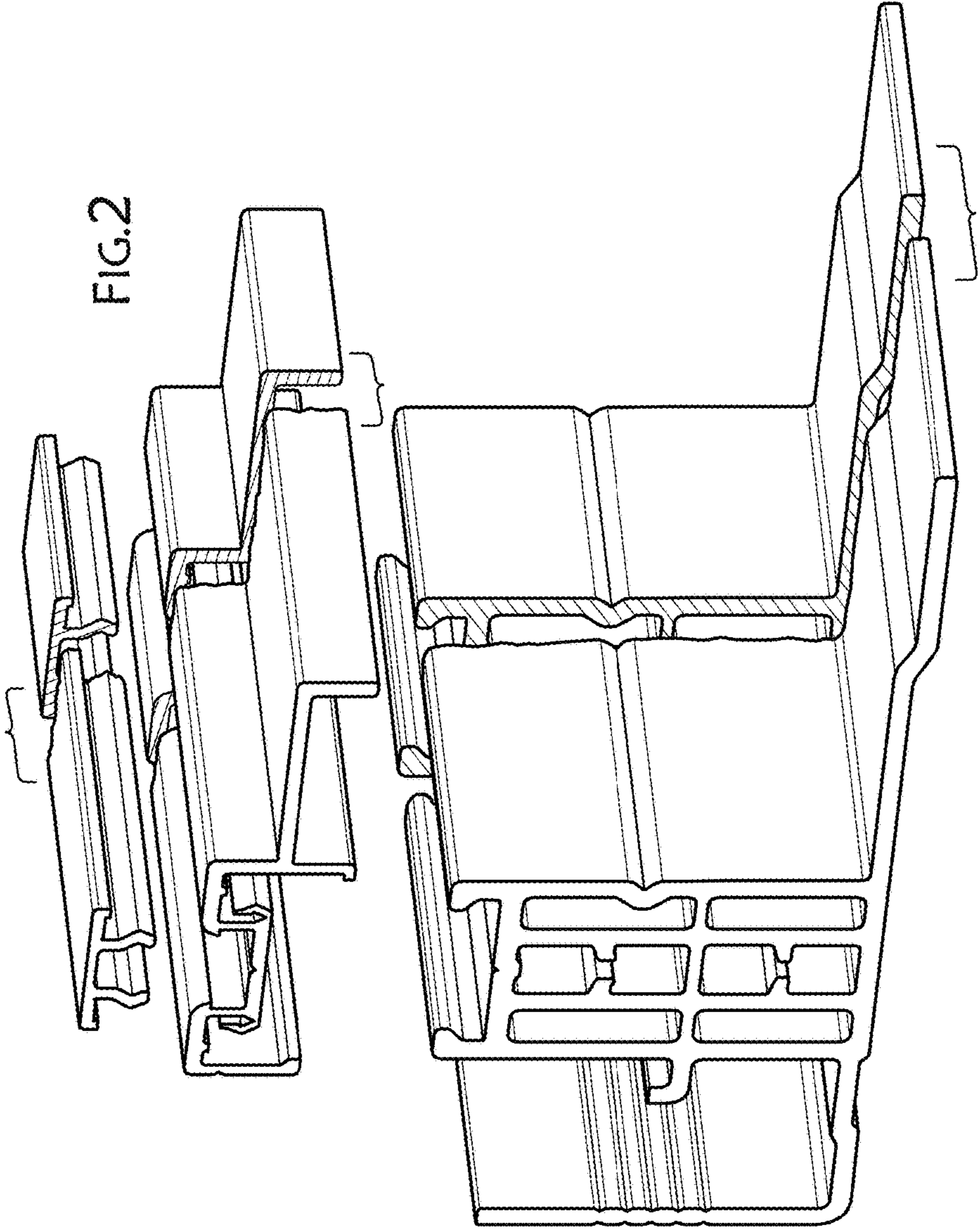


FIG.1



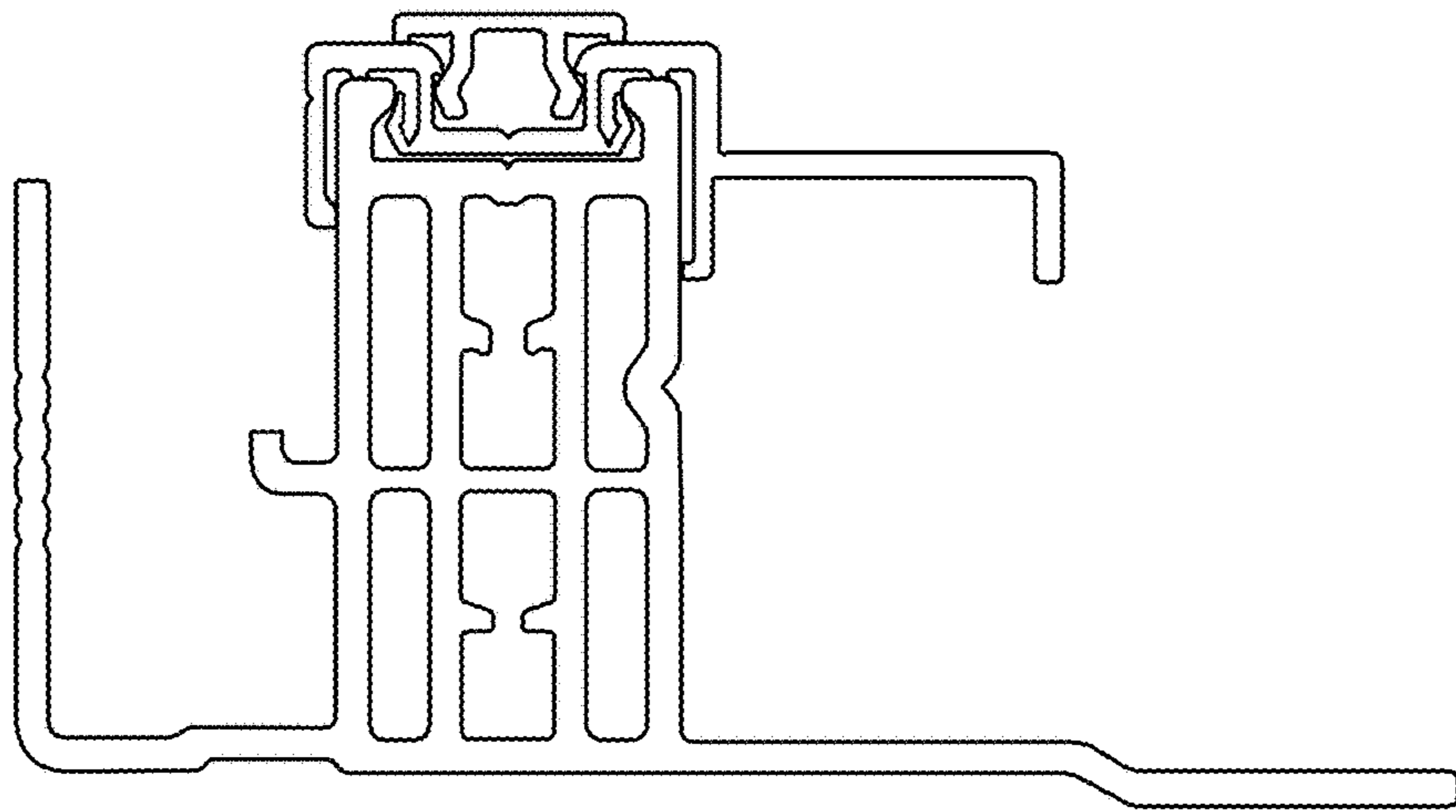


FIG.3

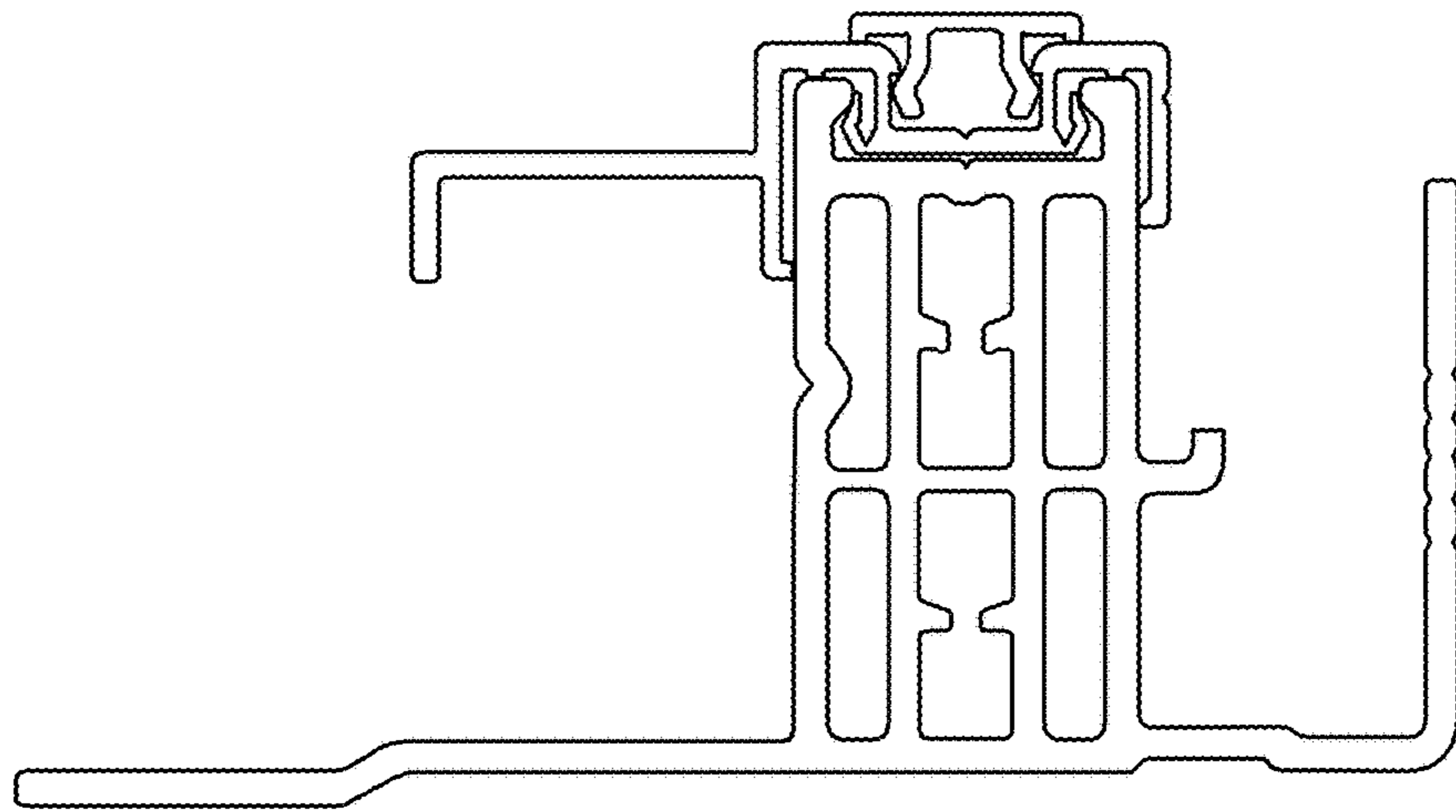


FIG.4

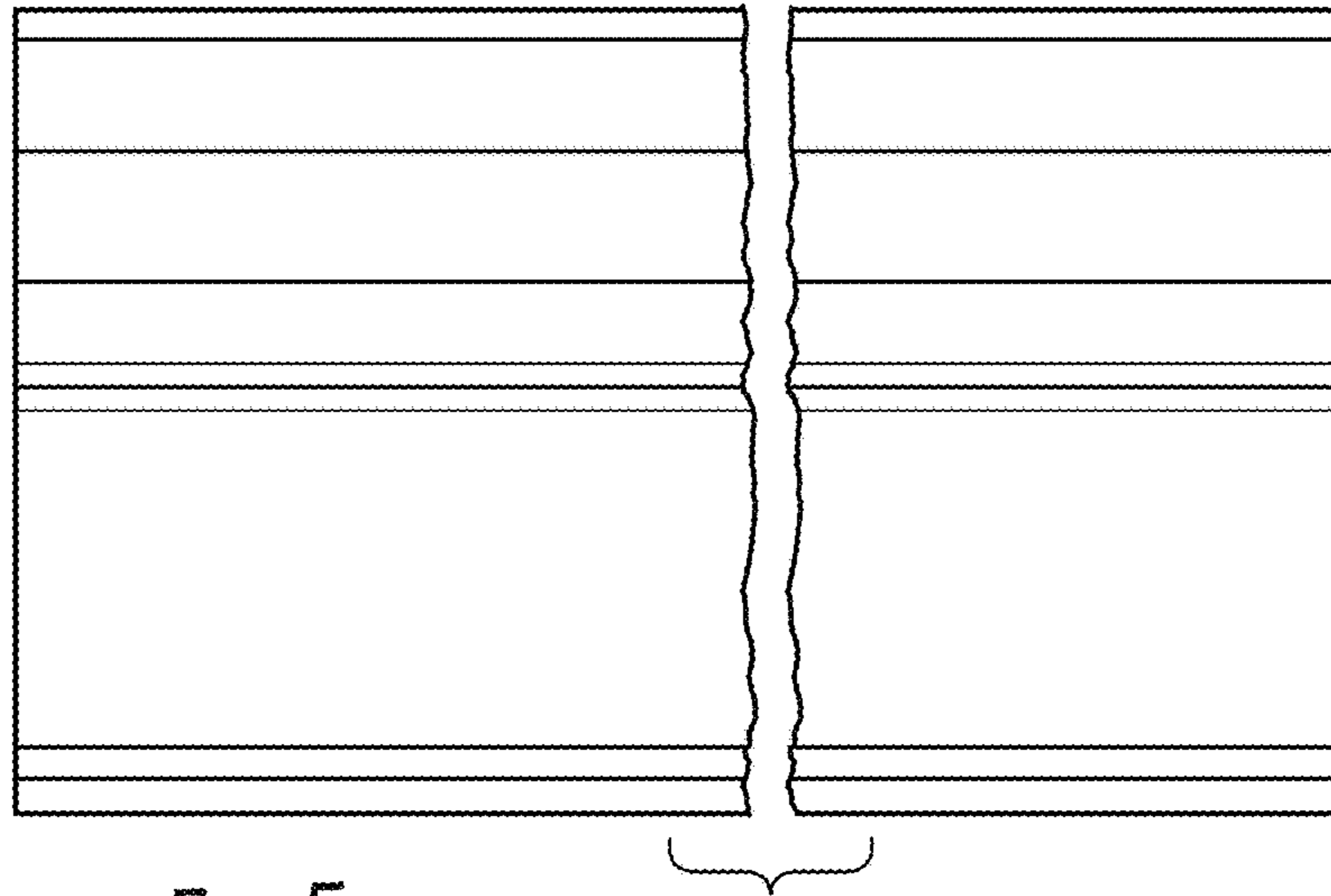


FIG. 5

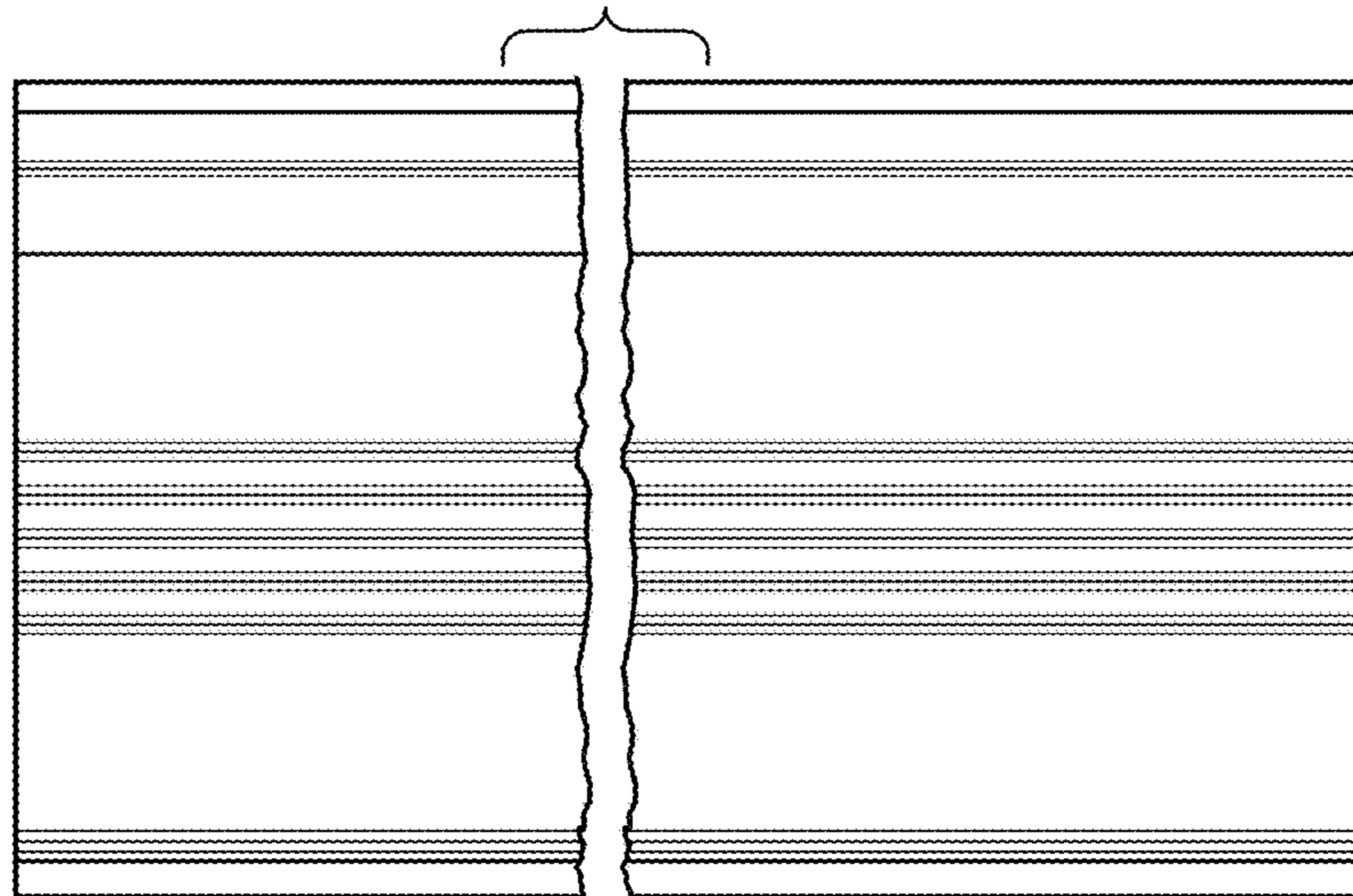


FIG. 6

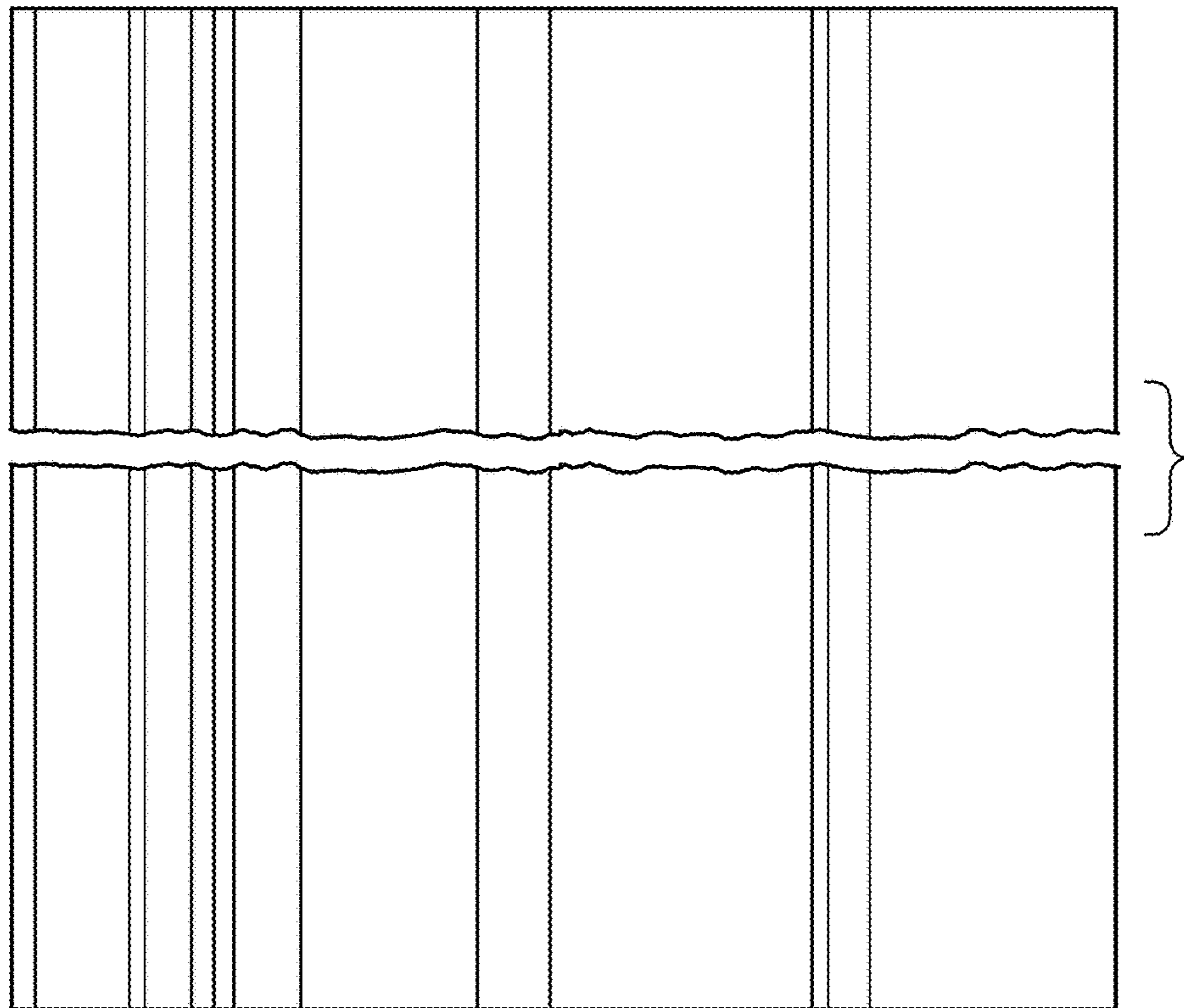


FIG.7

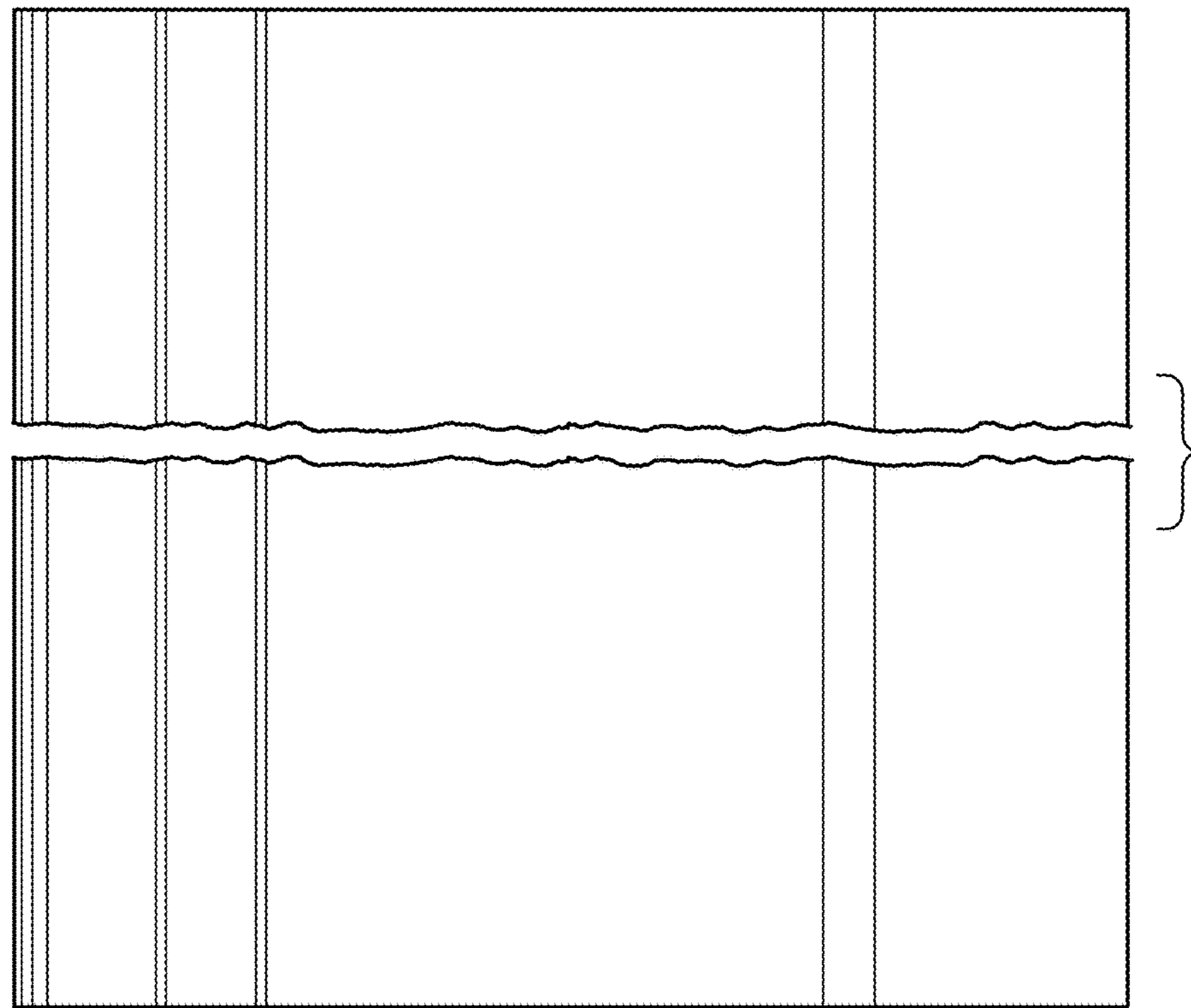


FIG.8