



US00D856535S

(12) **United States Design Patent**  
**Hay, III**

(10) **Patent No.:** **US D856,535 S**

(45) **Date of Patent:** **\*\* Aug. 13, 2019**

(54) **COMBINED WINDOW FRAME LINEAL AND CAP**

(71) Applicant: **Hawkes Design and Consulting, LLC**,  
Charleston, SC (US)

(72) Inventor: **Henry M. Hay, III**, Charleston, SC  
(US)

(73) Assignee: **Hawkes Design and Consulting, LLC**,  
Charleston, SC (US)

(\*\*) Term: **15 Years**

(21) Appl. No.: **29/643,576**

(22) Filed: **Apr. 10, 2018**

(51) **LOC (12) Cl.** ..... **25-01**

(52) **U.S. Cl.**  
USPC ..... **D25/124**

(58) **Field of Classification Search**  
USPC ..... D25/48.1, 48.2, 48.3, 60, 61, 119-126,  
D25/164, 199

CPC ... E06B 1/02; E06B 1/04; E06B 1/045; E06B  
1/12; E06B 1/14; E06B 1/2403; E06B  
1/26; E06B 1/28; E06B 1/34; E06B  
1/342; E06B 1/52; E06B 1/524; E06B  
1/64; E06B 1/68; E06B 3/00; E06B 3/06;  
E06B 3/26; E06B 7/00; E06B 7/02; E06B  
7/14; E06B 7/16; E06B 7/18; E06B 7/22;  
E06B 7/26; E04C 3/00; E04C 3/005;  
E04C 3/02; E04C 3/04; E04C 3/12; E04C  
3/127; E04C 3/20; E04C 3/28; E04C  
3/29; E04C 3/30

See application file for complete search history.

(56) **References Cited**

**U.S. PATENT DOCUMENTS**

5,560,149 A 10/1996 Lafevre  
5,603,190 A 2/1997 Sanford

D381,087 S \* 7/1997 DiGiorgio ..... D25/123  
5,778,629 A 7/1998 Howes  
D429,532 S \* 8/2000 Siudzinski ..... D25/124  
6,155,009 A 12/2000 Pena  
6,289,642 B1 9/2001 Diamond  
6,314,689 B1 11/2001 Hughes  
6,363,669 B1 4/2002 Hoffman  
6,502,355 B1 1/2003 Bori  
6,564,517 B1 5/2003 Hanssen  
6,640,509 B2 11/2003 Clewis  
6,705,054 B2 3/2004 Pelton  
6,898,907 B2 5/2005 Diamond  
D557,429 S \* 12/2007 Bullock, Jr. .... D25/119  
7,305,800 B1 12/2007 Calfee  
7,533,501 B2 5/2009 Neal  
D616,568 S \* 5/2010 Desrosiers ..... D25/122  
D619,447 S \* 7/2010 Liu ..... D25/124  
7,836,777 B2 11/2010 Keller et al.

(Continued)

*Primary Examiner* — Cynthia Ramirez

*Assistant Examiner* — L. Martinez

(74) *Attorney, Agent, or Firm* — Nexsen Pruet, LLC;  
Michael A. Mann

(57) **CLAIM**

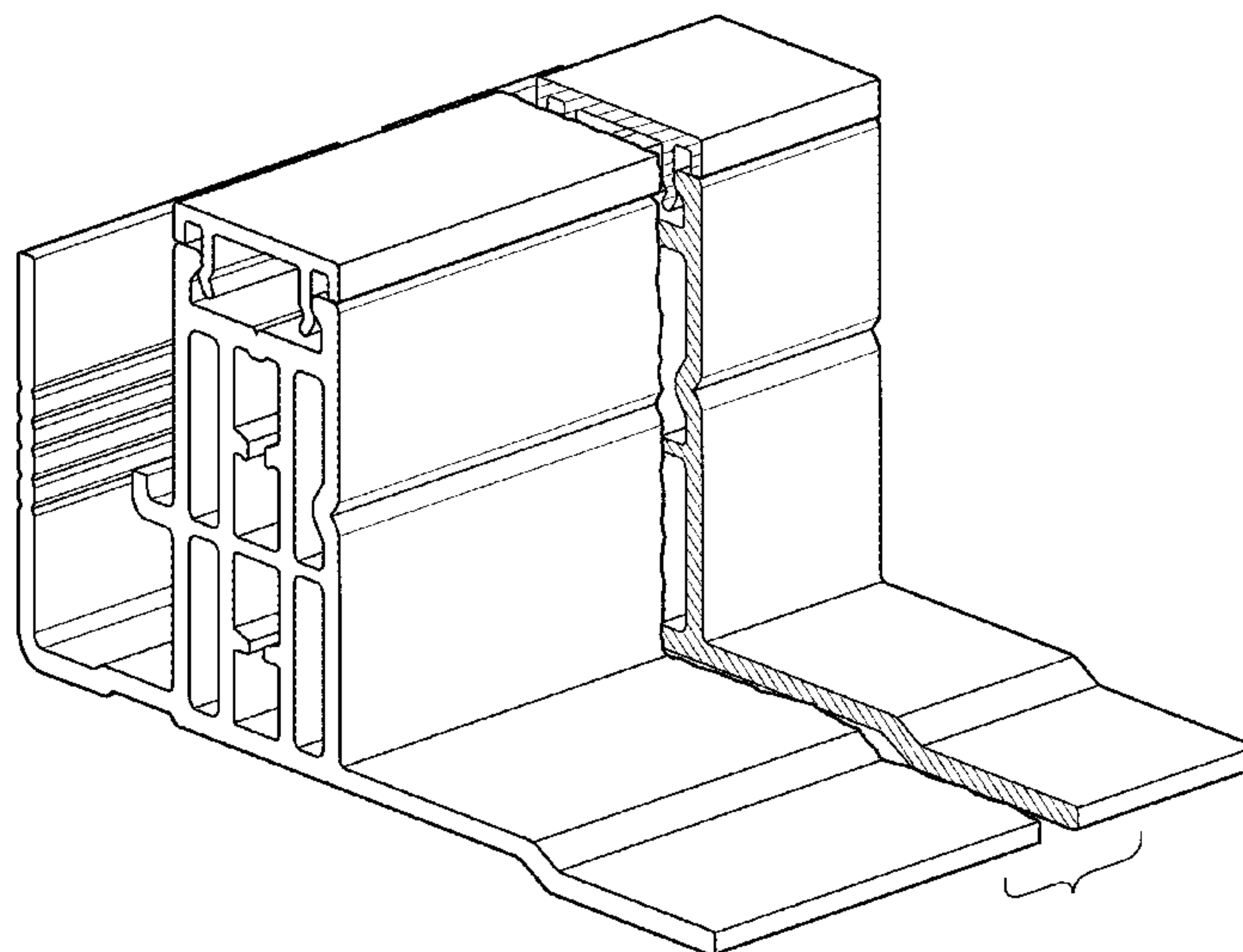
The ornamental design for the combined window frame lineal and cap, as shown and described.

**DESCRIPTION**

FIG. 1 is an upper right perspective view of the combined window frame lineal and cap, according to the design;  
FIG. 2 is a front view thereof;  
FIG. 3 is a rear view thereof;  
FIG. 4 is right side view thereof;  
FIG. 5 is left side view thereof;  
FIG. 6 is a top view thereof; and,  
FIG. 7 is a bottom view thereof.

The combined window frame lineal and cap is shown with a symbolic break in its length. The appearance of any portion of the combined window frame lineal and cap between the break lines forms no part of the claimed design.

**1 Claim, 5 Drawing Sheets**



(56)

**References Cited**

U.S. PATENT DOCUMENTS

D640,395	S *	6/2011	Wickland .....	D25/124
D734,871	S *	7/2015	Wright .....	D25/119
9,790,735	B2	10/2017	Trott	
2005/0210781	A1	9/2005	Lawrence	
2005/0266187	A1	12/2005	Smith et al.	
2008/0176051	A1	7/2008	Nguyen et al.	
2008/0196331	A1	8/2008	Boyd	
2010/0146881	A1	6/2010	Framer et al.	
2010/0186641	A1	7/2010	Hay, III et al.	
2014/0199512	A1 *	7/2014	Abramson .....	E06B 7/22 428/95
2015/0040492	A1	2/2015	Rafter	
2015/0090411	A1	4/2015	Pyles et al.	
2016/0145934	A1	5/2016	Trott	
2017/0058593	A1 *	3/2017	Albrecht .....	E06B 1/02
2017/0114587	A1 *	4/2017	Rochon .....	E06B 1/52
2018/0117881	A1	5/2018	Pyles et al.	
2018/0283083	A1 *	10/2018	Mayo .....	E06B 1/52

\* cited by examiner

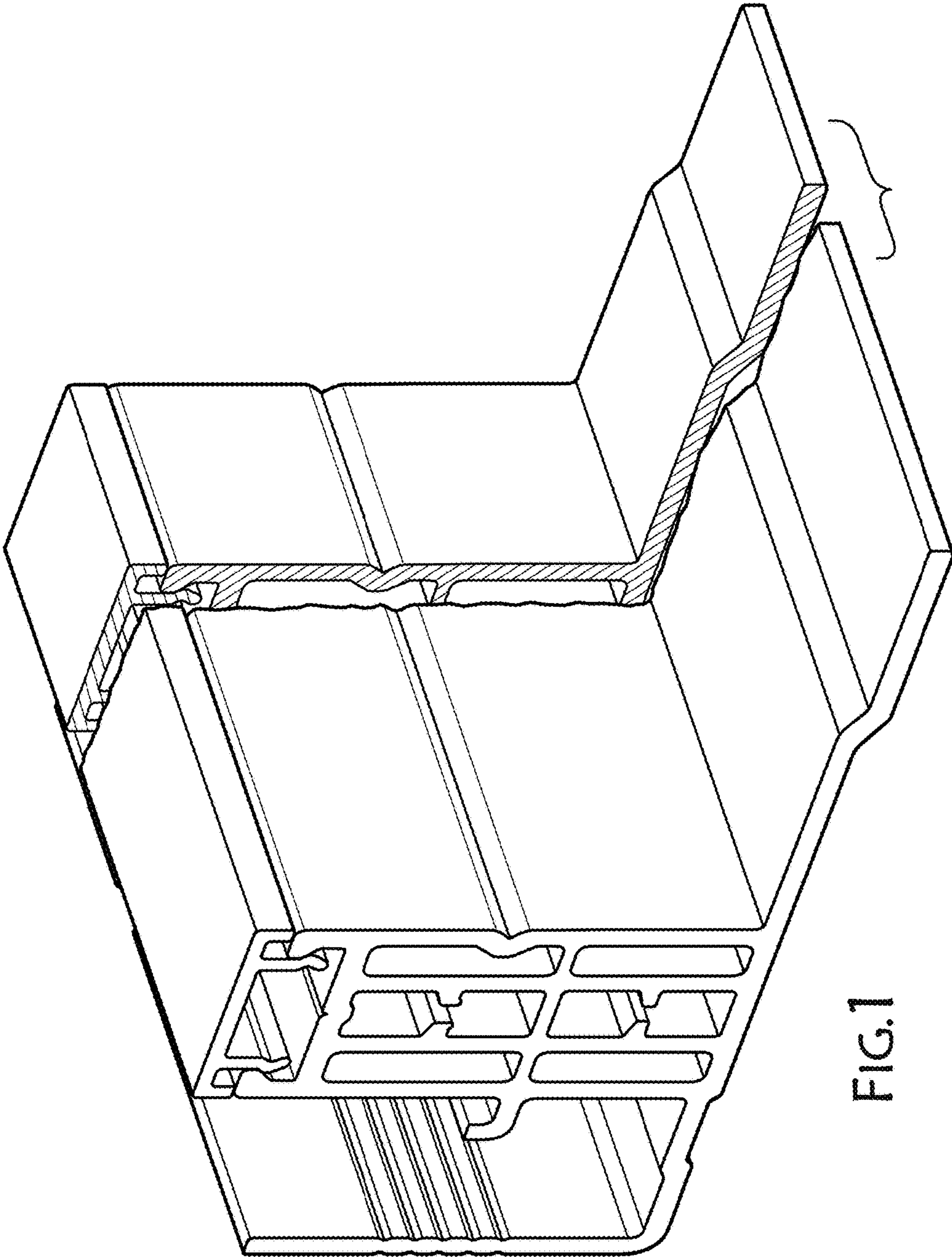


FIG.1

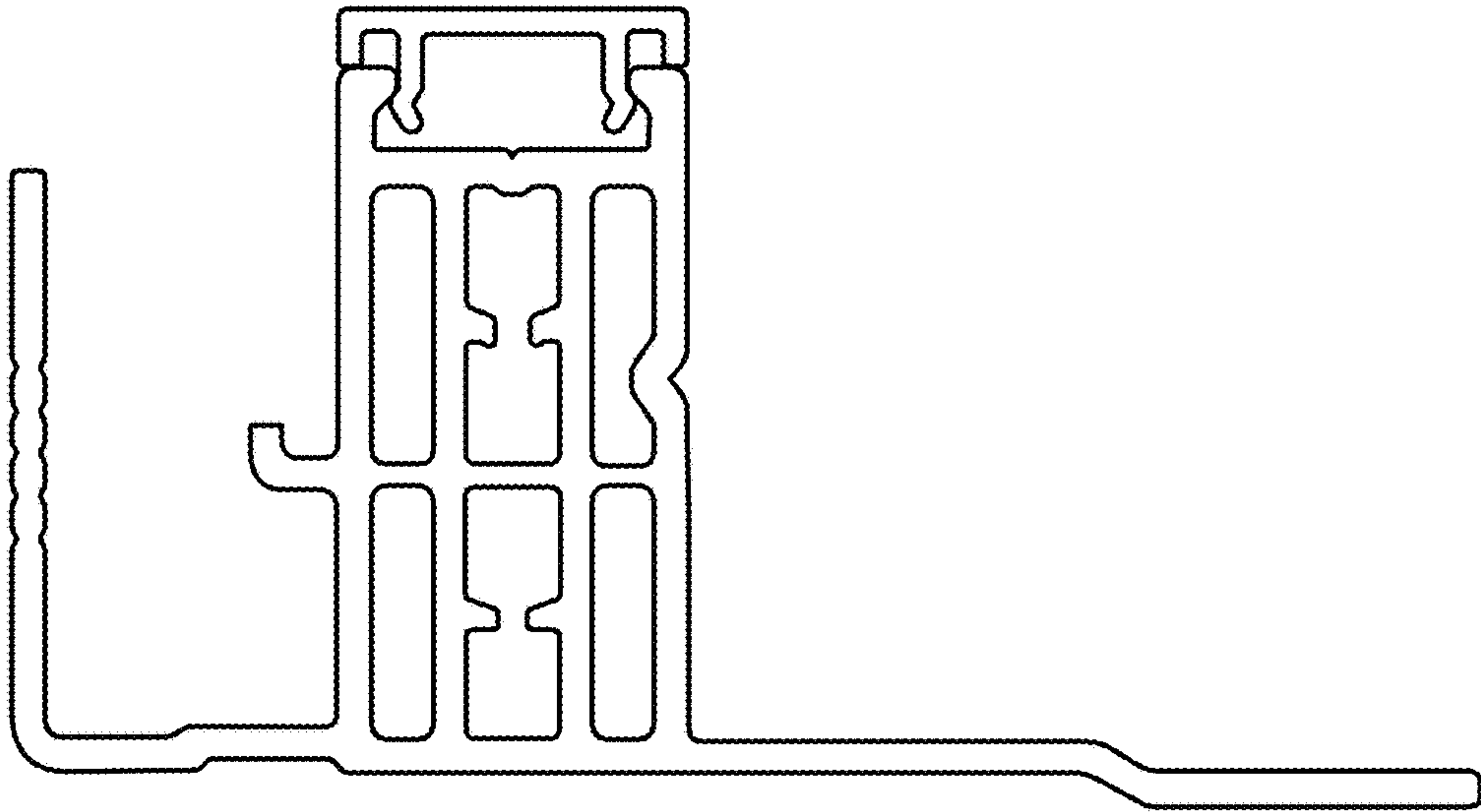


FIG. 2

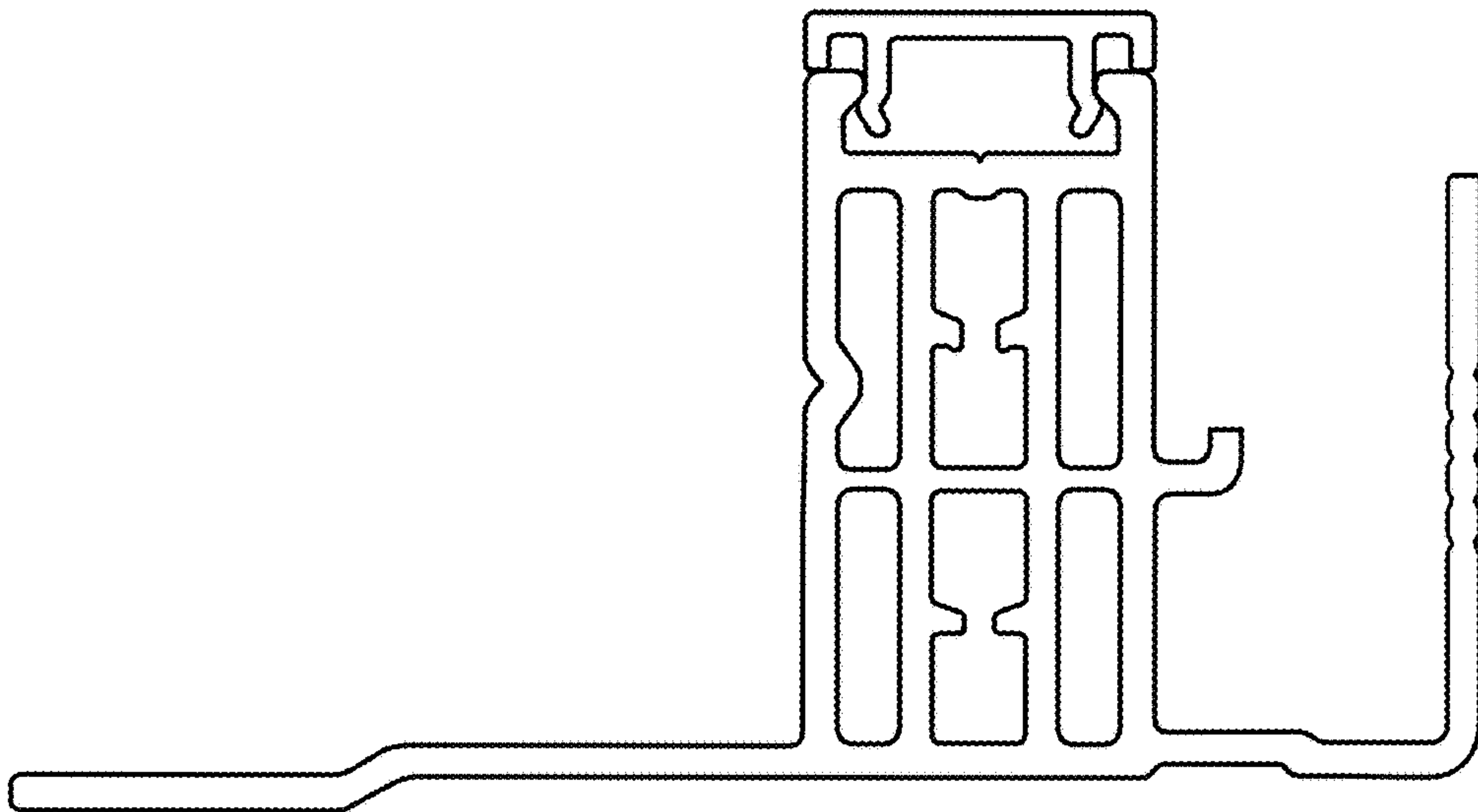


FIG. 3

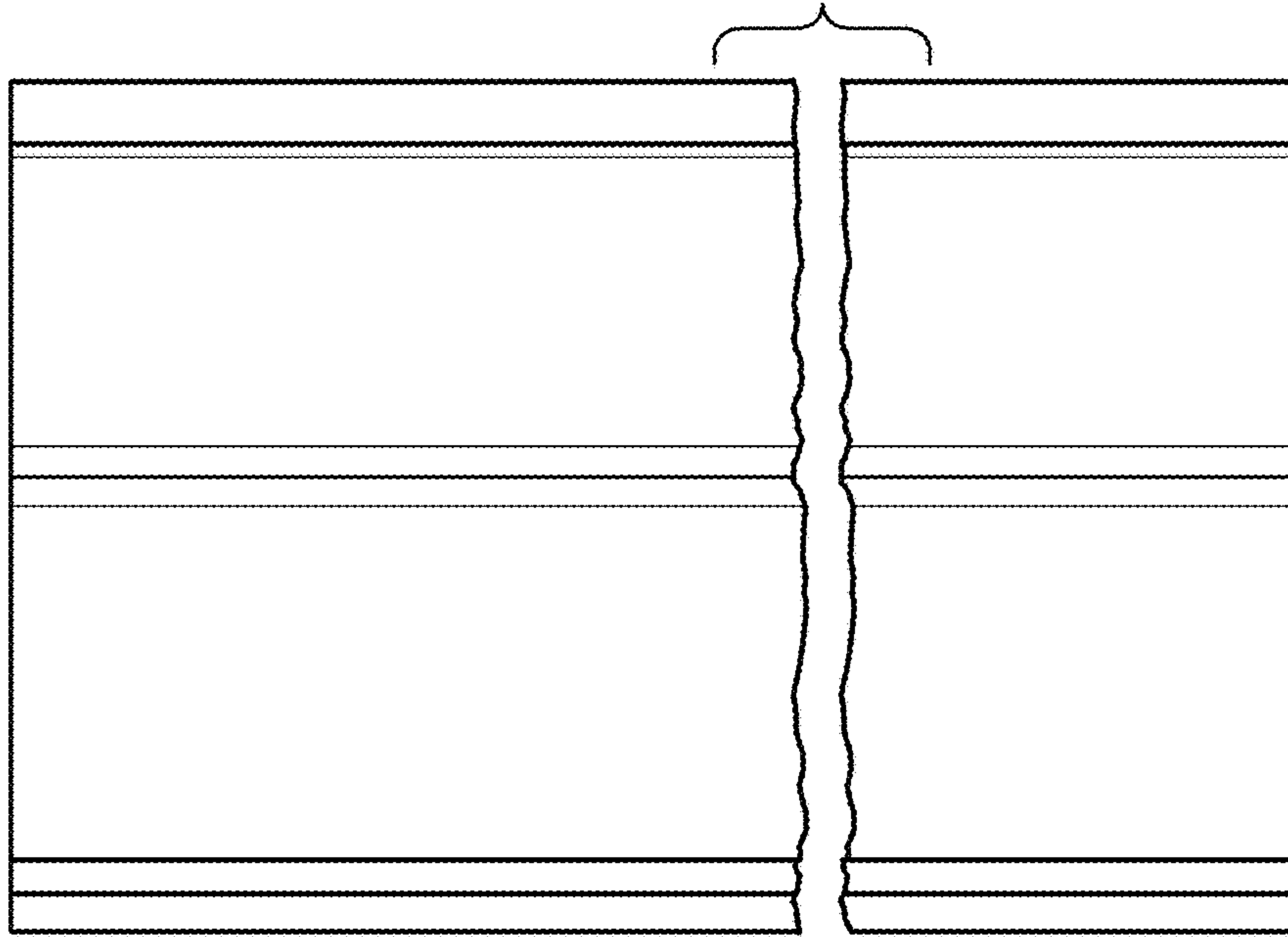


FIG. 4

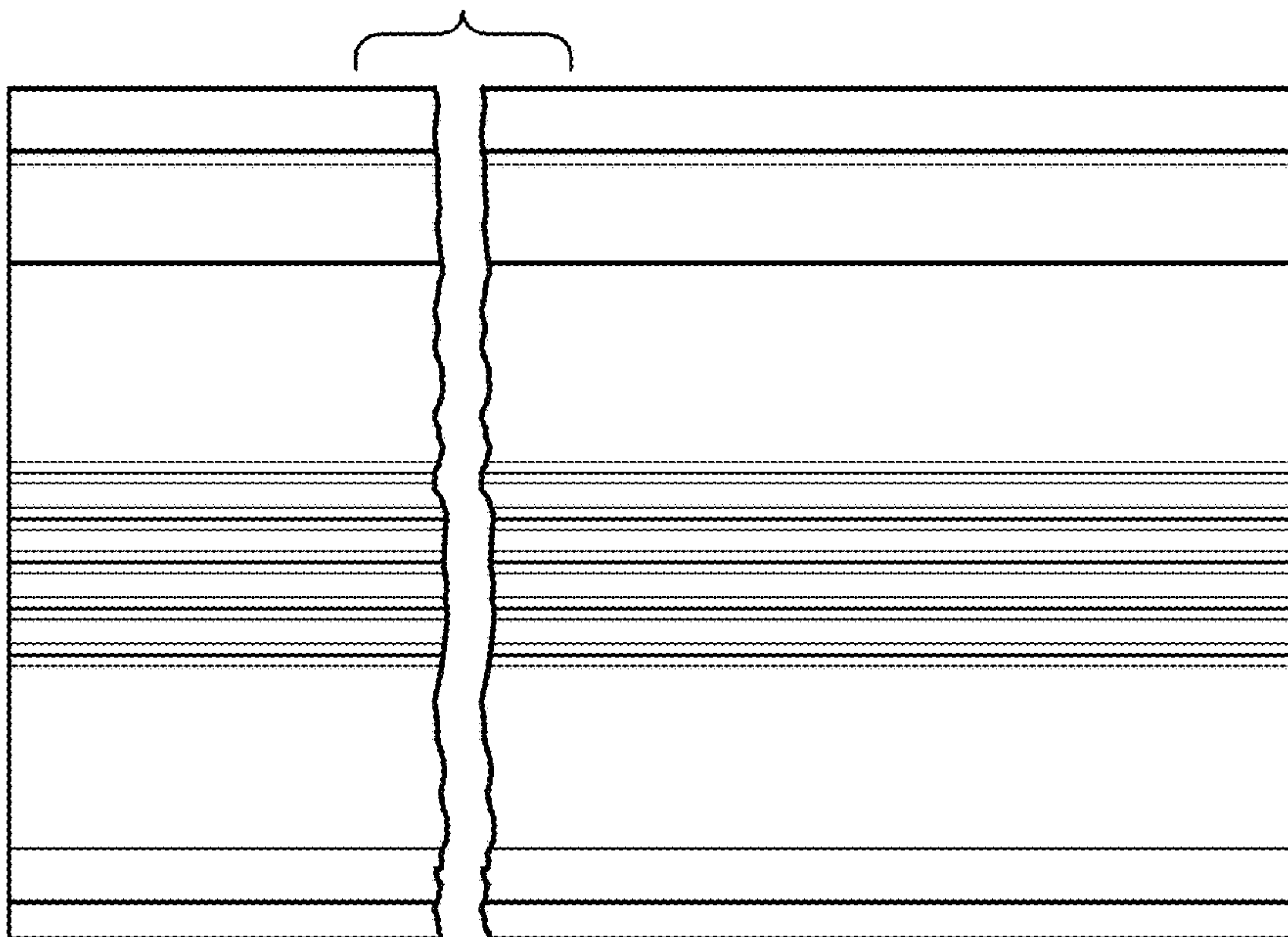


FIG. 5



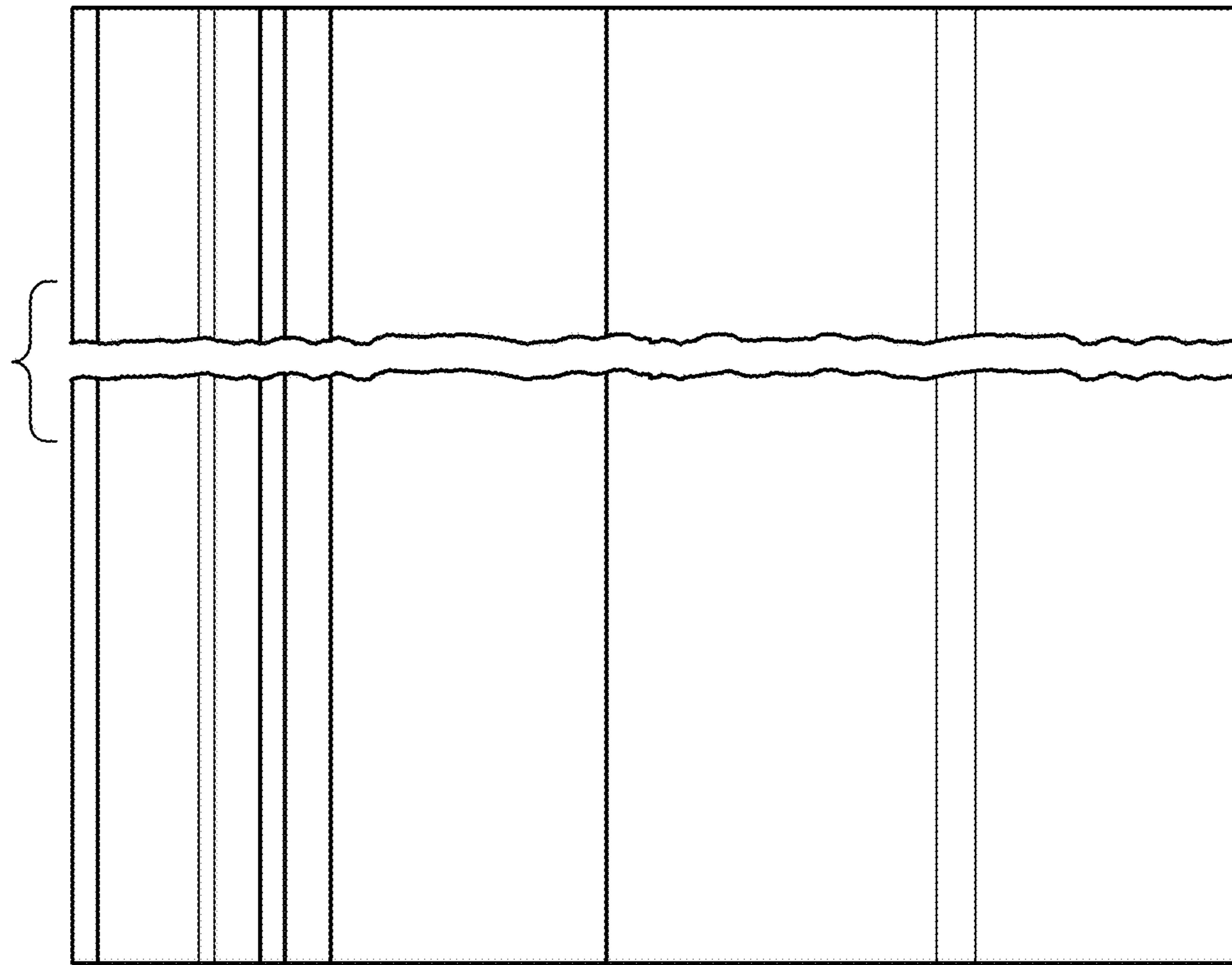


FIG.6

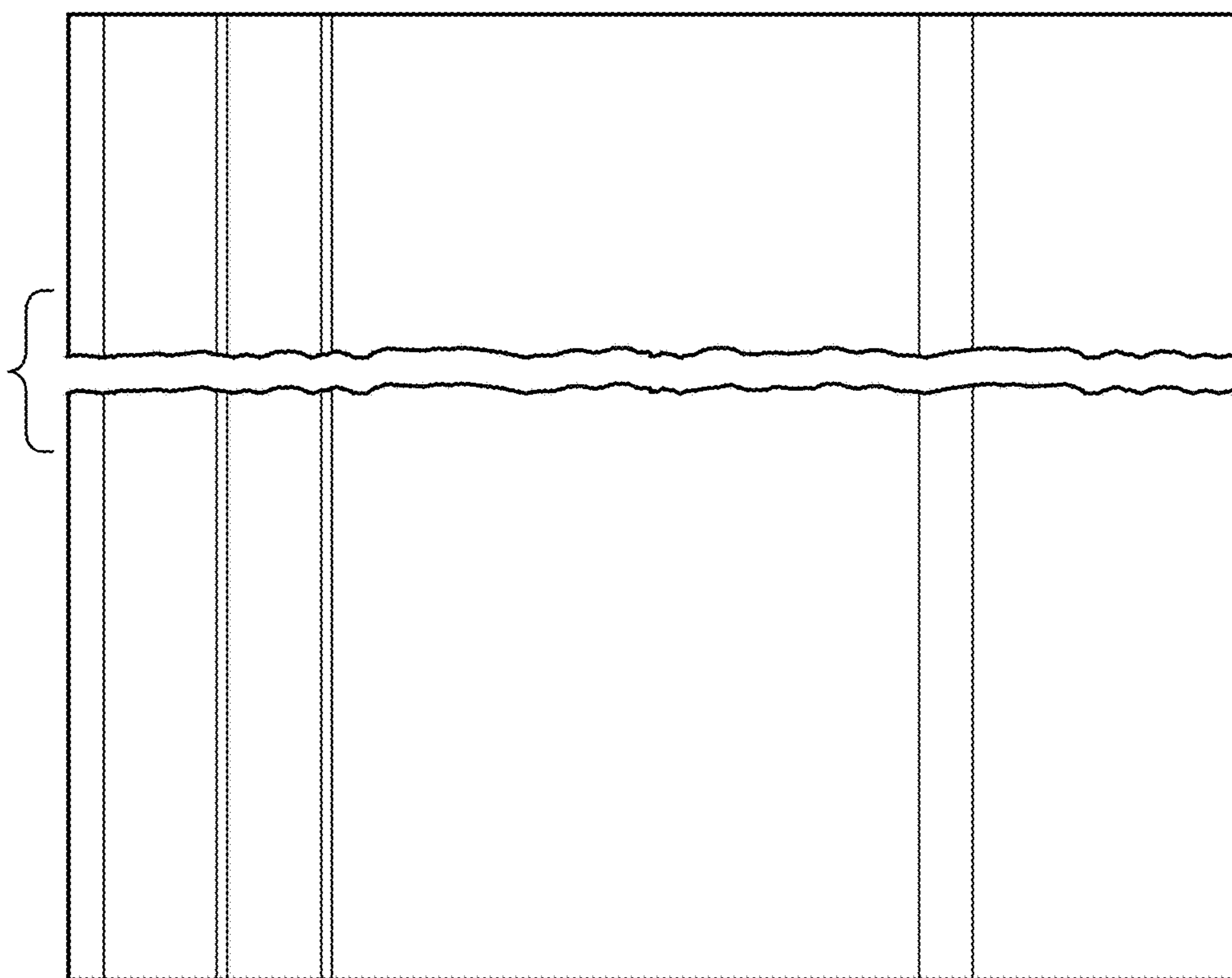


FIG.7