



US00D856534S

(12) **United States Design Patent** (10) **Patent No.:** **US D856,534 S**
Hay, III (45) **Date of Patent:** **** Aug. 13, 2019**

- (54) **COMBINED WINDOW JAMB AND SCREW BOSS** D375,172 S * 10/1996 DiGiorgio D25/122
6,195,948 B1 * 3/2001 Lamanna E04D 13/0305
52/200
- (71) Applicant: **Hawkes Design and Consulting, LLC,** D588,283 S * 3/2009 Fannan D25/124
Charleston, SC (US) D640,395 S * 6/2011 Wickland D25/124
8,196,363 B2 6/2012 Hay et al.
- (72) Inventor: **Henry M. Hay, III,** Charleston, SC 8,438,802 B1 5/2013 Hay et al.
(US) 8,789,324 B2 7/2014 Hay et al.
8,863,452 B1 10/2014 Hay, III et al.
- (73) Assignee: **Hawkes Design and Consulting, LLC,** 2009/0241421 A1 10/2009 Hay, III et al.
Charleston, SC (US) 2009/0277108 A1 11/2009 Hay, III et al.
2010/0186641 A1 7/2010 Hay, III et al.
2010/0269432 A1* 10/2010 Furgerson E06B 1/02
52/213
- (**) Term: **15 Years** 2011/0154753 A1* 6/2011 Furgerson E06B 1/28
52/204.1
- (21) Appl. No.: **29/632,442** 2011/0258962 A1* 10/2011 Peterson E06B 1/26
52/656.5

(Continued)

- (22) Filed: **Jan. 8, 2018**
- (51) **LOC (12) Cl.** **25-01**
- (52) **U.S. Cl.**
USPC **D25/124**
- (58) **Field of Classification Search**
USPC D25/48.1, 48.2, 48.3, 60, 61, 119-126,
D25/199
CPC ... E06B 1/02; E06B 1/04; E06B 1/045; E06B
1/12; E06B 1/14; E06B 1/2403; E06B
1/26; E06B 1/28; E06B 1/34; E06B
1/342; E06B 1/52; E06B 1/524; E06B
1/64; E06B 1/68; E06B 7/00; E06B 7/02;
E06B 7/14; E06B 7/16; E06B 7/18; E06B
7/22; E06B 7/26; E04F 19/02; E04F
19/022; E04F 19/026; E04F 19/028; E04F
19/06; E04F 19/061; E04C 3/00; E04C
3/005; E04C 3/02; E04C 3/04; E04C
3/12; E04C 3/127; E04C 3/20; E04C
3/28; E04C 3/29; E04C 3/30
See application file for complete search history.

Primary Examiner — Cynthia Ramirez
Assistant Examiner — L. Martinez
(74) *Attorney, Agent, or Firm* — Nexsen Pruet, LLC;
Michael A. Mann

(57) **CLAIM**

The ornamental design for a combined window jamb and screw boss, as shown and described.

DESCRIPTION

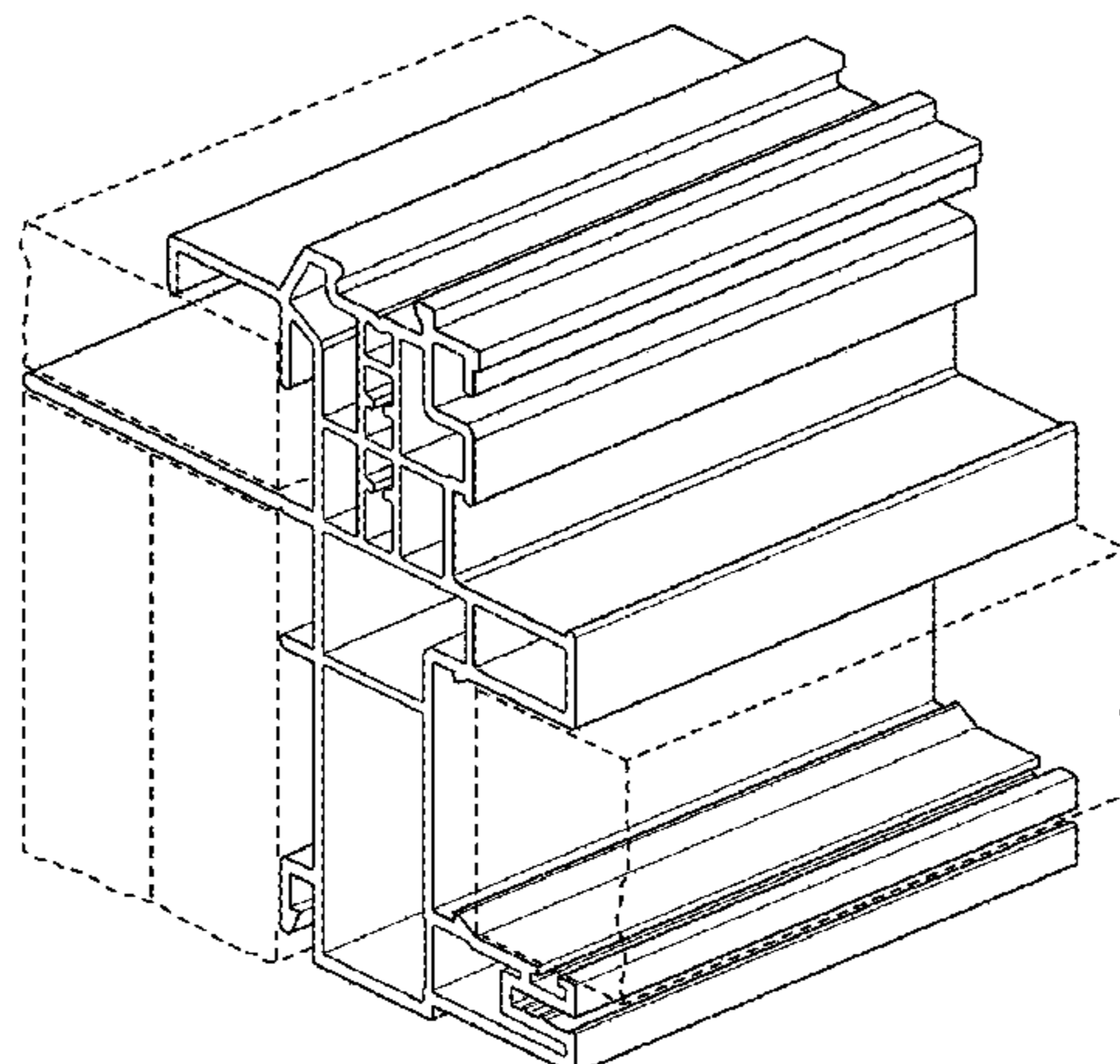
FIG. 1 is a perspective view of the combined window jamb and screw boss, showing my design;
FIG. 2 is an end view thereof;
FIG. 3 is top view thereof;
FIG. 4 is right side view thereof;
FIG. 5 is a left side view thereof; and,
FIG. 6 is a bottom view thereof.
The broken lines in FIGS. 1 and 2 illustrate environmental subject matter only and form no part of the claimed design.

1 Claim, 6 Drawing Sheets

(56) **References Cited**

U.S. PATENT DOCUMENTS

- 5,123,212 A * 6/1992 Dallaire E06B 7/14
52/209
- D335,356 S * 5/1993 Cole D25/124



(56)

References Cited

U.S. PATENT DOCUMENTS

2013/0008089 A1* 1/2013 Mancebo E06B 7/26
49/413
2014/0326126 A1 11/2014 Hay, III et al.
2017/0058593 A1* 3/2017 Albrecht E06B 1/02

* cited by examiner

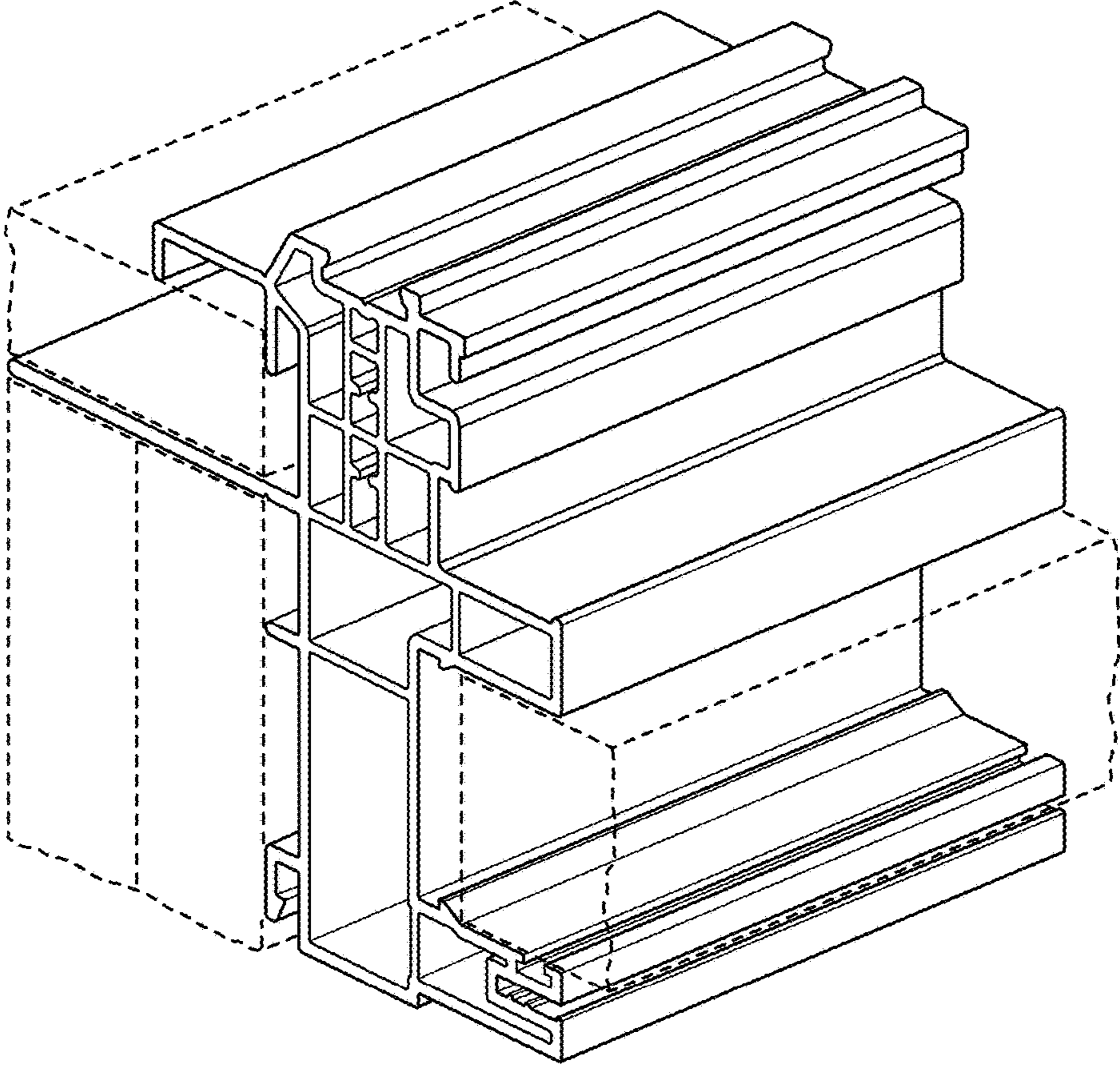


FIG.1

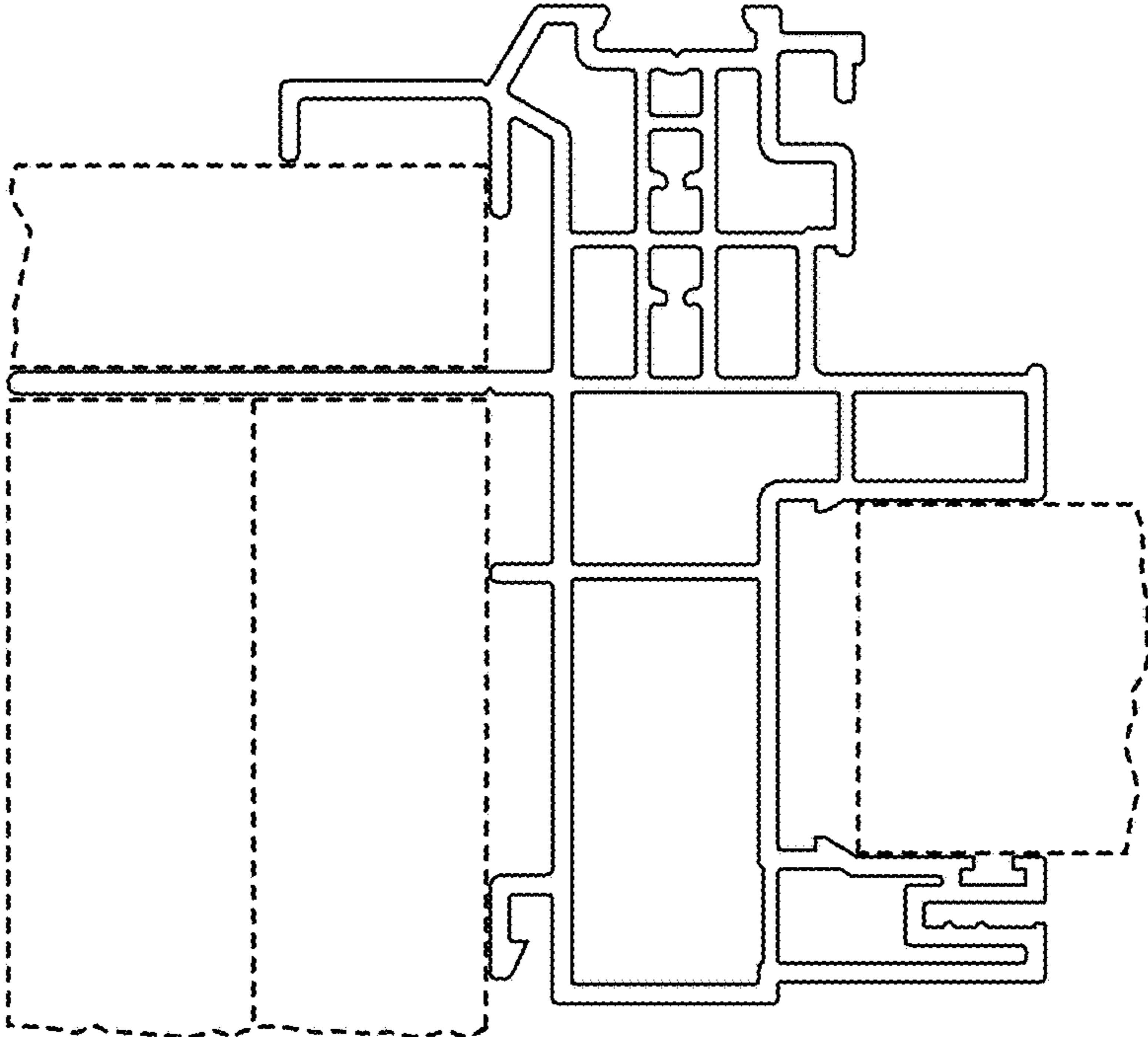


FIG.2

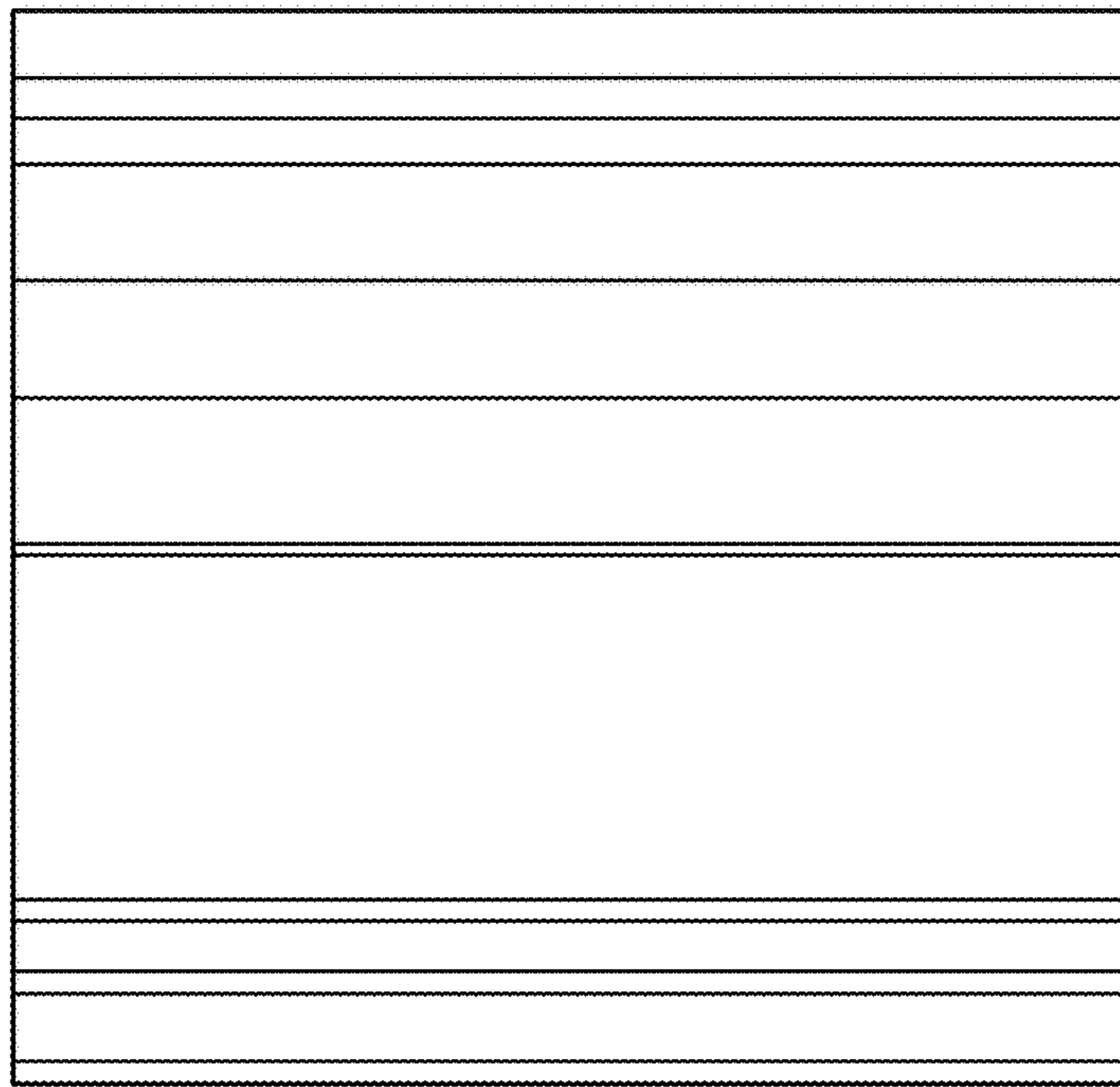


FIG.3

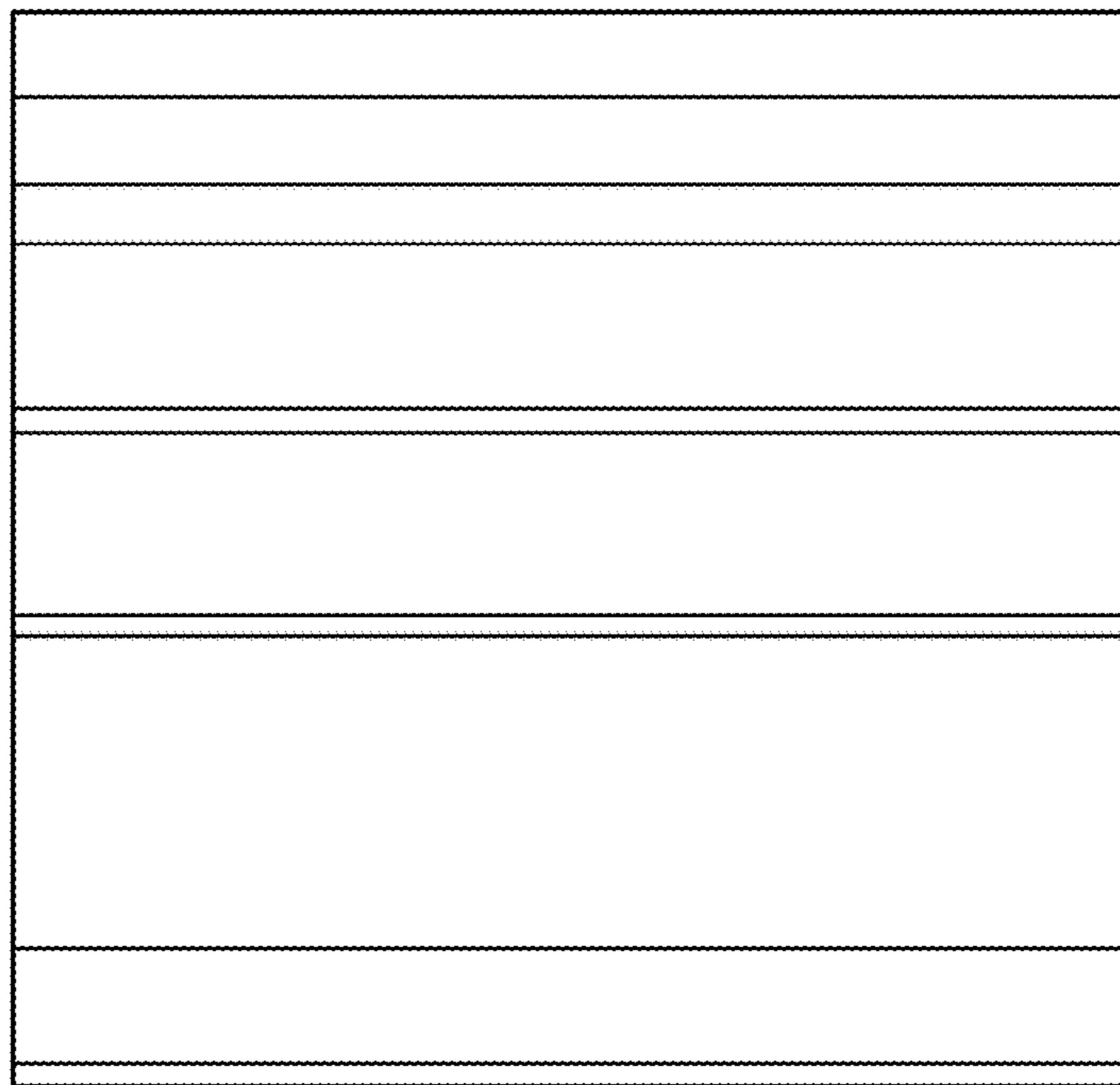


FIG.4

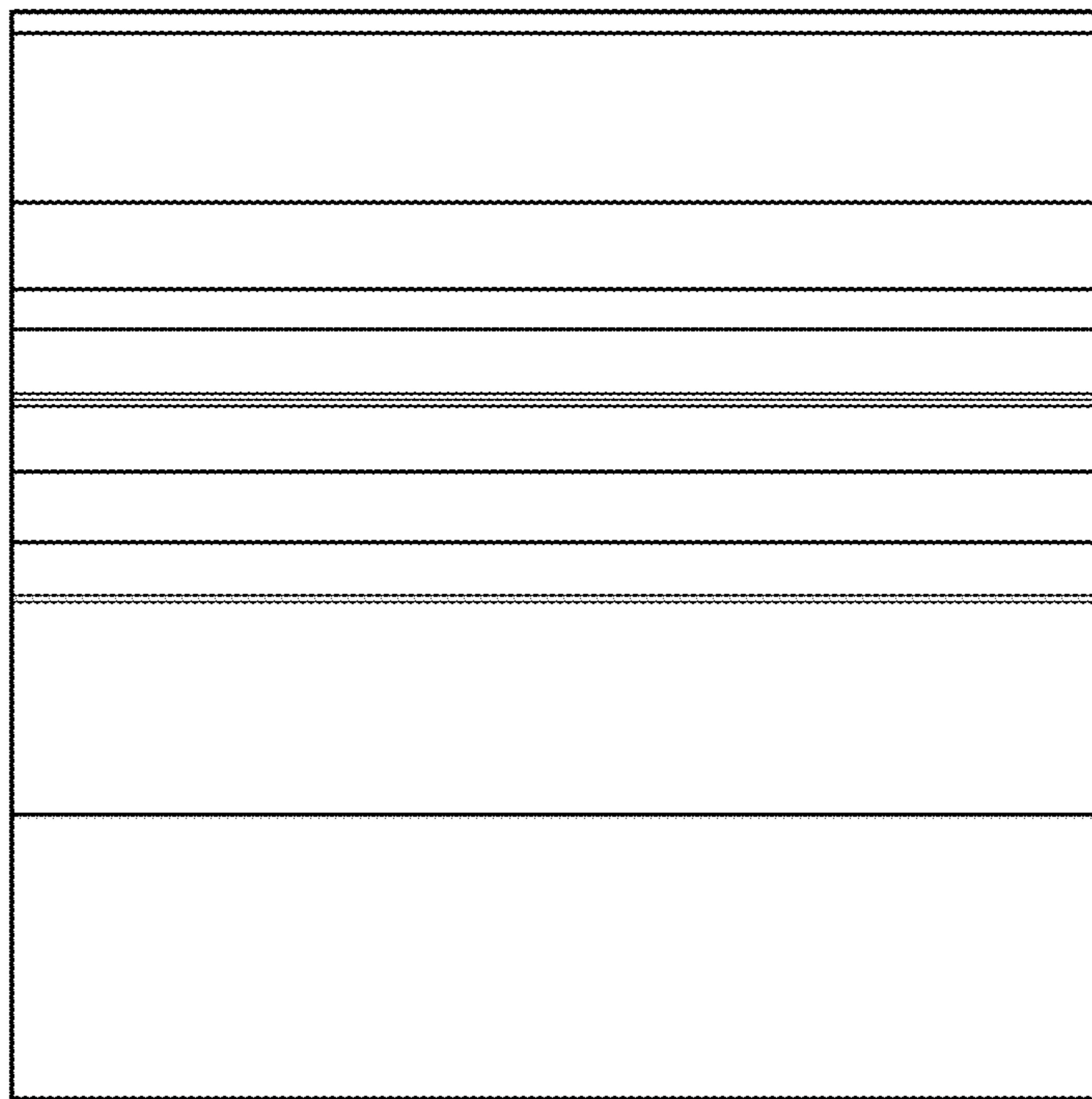


FIG.5

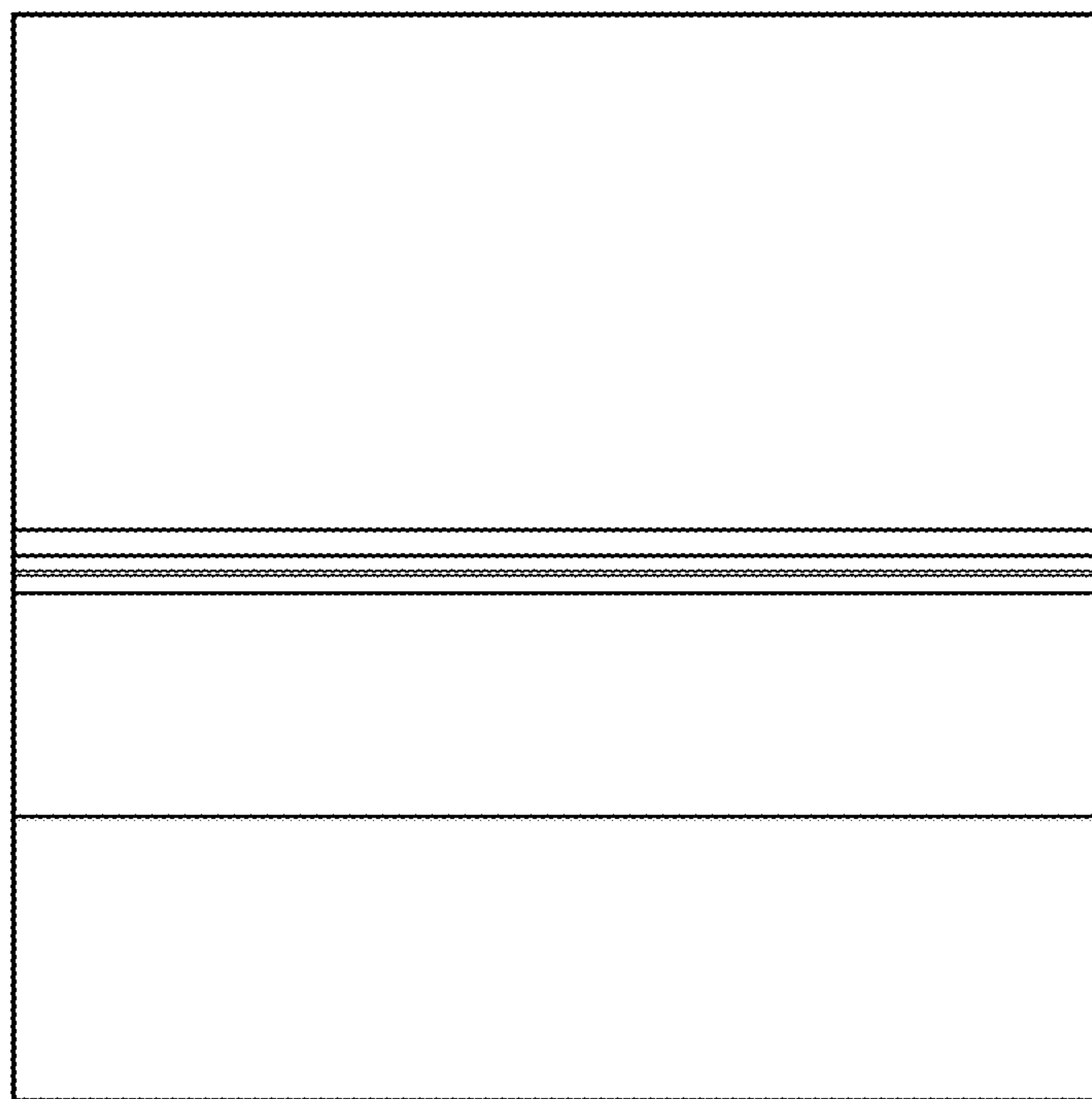


FIG.6