



US00D856532S

(12) **United States Design Patent** (10) **Patent No.:** **US D856,532 S**
Bates (45) **Date of Patent:** **** Aug. 13, 2019**

(54) **ADJUSTABLE FOOT STEPPING BRIDGE FOR TILE GROUT LINES**

(71) Applicant: **Steven J. Bates**, Gilbert, AZ (US)

(72) Inventor: **Steven J. Bates**, Gilbert, AZ (US)

(**) Term: **15 Years**

(21) Appl. No.: **29/636,347**

(22) Filed: **Feb. 7, 2018**

(51) **LOC (12) Cl.** **25-04**

(52) **U.S. Cl.**
USPC **D25/62**

(58) **Field of Classification Search**
USPC D34/28, 32, 30, 33, 34, 35, 36, 37;
D25/62, 66, 67, 35, 32; 182/69.6, 141,
182/222, 14, 148, 19; 482/52, 51, 26, 30,
482/142; 405/4; D12/316
CPC B66F 11/04; B66F 11/044; B66F 17/006;
B66F 9/127; B66F 11/046; B66F 9/0655;
B66F 9/12; B66B 9/16
See application file for complete search history.

(56) **References Cited**

U.S. PATENT DOCUMENTS

838,266	A	12/1906	Mckee et al.	
859,241	A	7/1907	Nantel	
1,718,885	A	6/1929	Williams	
4,134,473	A	1/1979	Prior	
4,199,136	A *	4/1980	Mansfield	A63B 5/08 482/26
4,754,841	A	7/1988	Koffski	
5,277,675	A *	1/1994	Shifferaw	A63B 5/08 482/142
5,290,210	A *	3/1994	Hand	A63B 23/0458 482/51
5,318,489	A *	6/1994	Irwin	A63B 23/0458 482/142
5,387,166	A *	2/1995	Gvoich	A63B 5/08 482/26
D464,144	S *	10/2002	Peterson	D25/62

D482,315	S *	11/2003	Bridge	D12/316
D608,459	S *	1/2010	Wyse	D25/35
D621,525	S *	8/2010	Cook	D25/62
D662,606	S *	6/2012	Doig	D25/32
2006/0029470	A1 *	2/2006	Berlin	E02B 3/06 405/4
2008/0084044	A1	4/2008	Dietelbach	
2010/0187041	A1	7/2010	Crouch	
2011/0023747	A1	2/2011	Barbara	

* cited by examiner

Primary Examiner — Cynthia Ramirez

Assistant Examiner — Gino Colan

(74) *Attorney, Agent, or Firm* — Mark V. Loen

(57) **CLAIM**

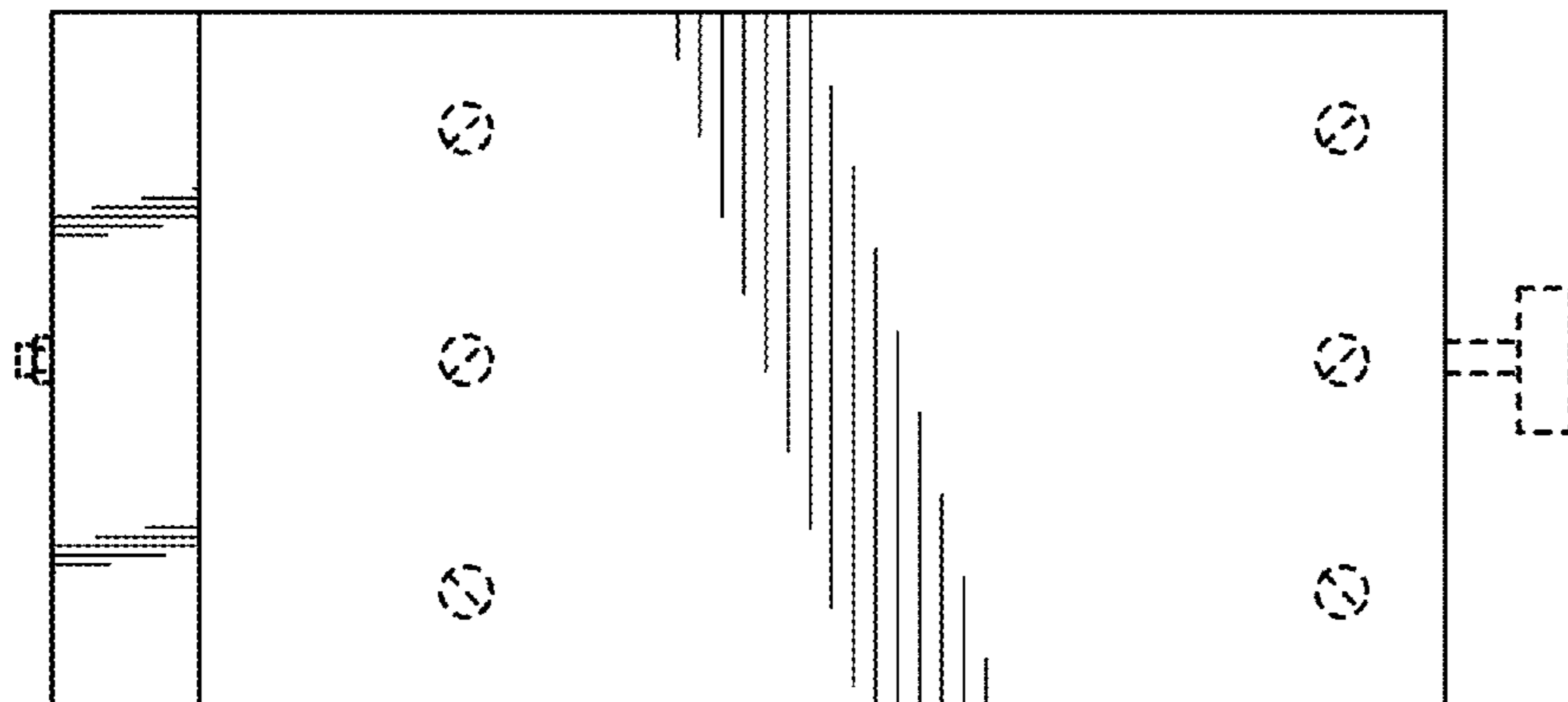
The ornamental design for an adjustable foot stepping bridge for tile grout lines, as shown and described.

DESCRIPTION

FIG. 1 is a top plan view of an adjustable foot stepping bridge for tile grout lines showing my new design; FIG. 2 is a front elevation view thereof, the rear elevation view being a mirror image of FIG. 2; FIG. 3 is a bottom plan view thereof; FIG. 4 is a left elevation view thereof; FIG. 5 is a right elevation view thereof; FIG. 6 is an isometric view thereof showing the adjustable foot stepping bridge in a condition of use; and, FIG. 7 is an isometric view thereof shown in an alternate position.

The broken lines in the Figures showing fasteners, a length adjustment mechanism and a support member are for the purpose of illustrating portions of the adjustable foot stepping bridge for tile grout lines and form no part of the claimed design. The dash-dot-dash broken lines shown in FIG. 6 are for the purpose of illustrating environment and form no part of the claimed design.

1 Claim, 4 Drawing Sheets



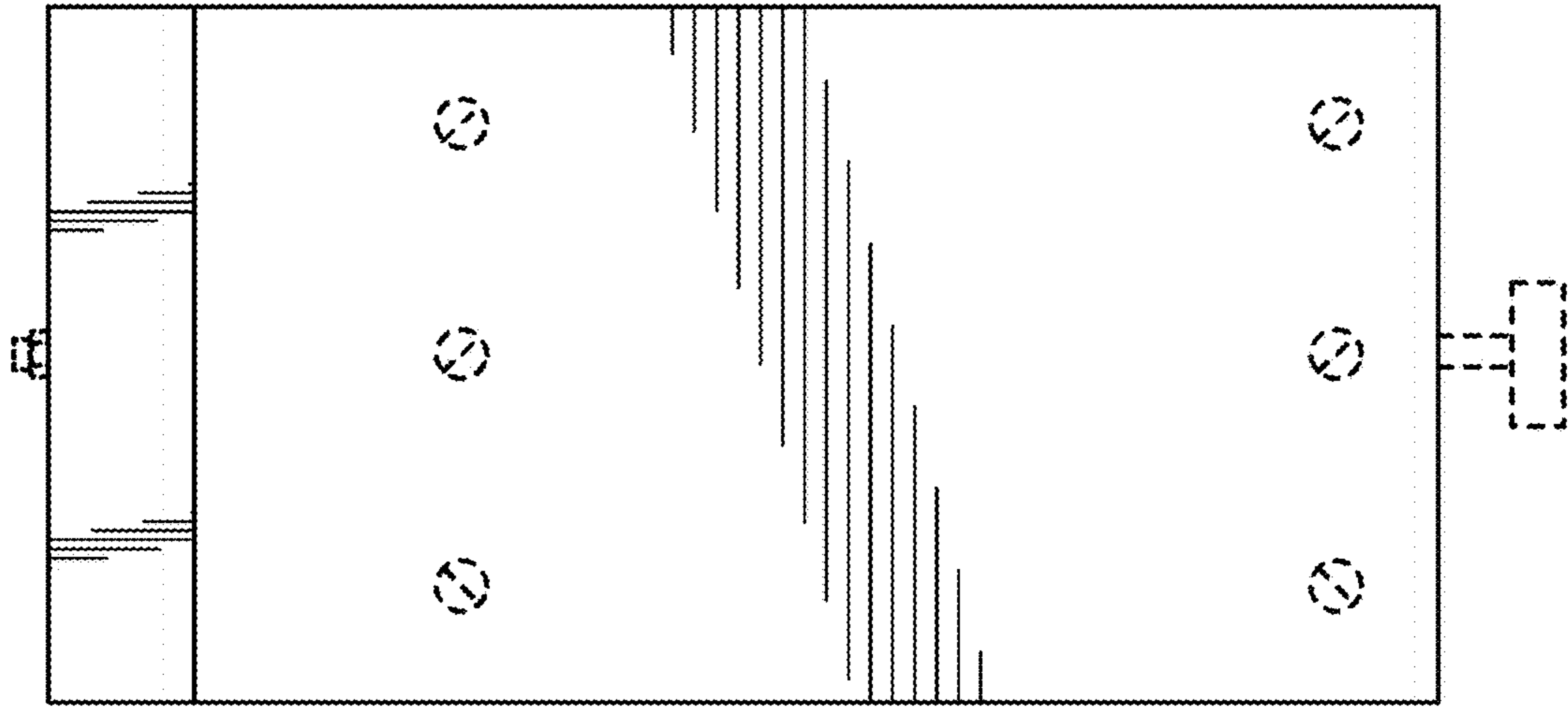


Fig. 1

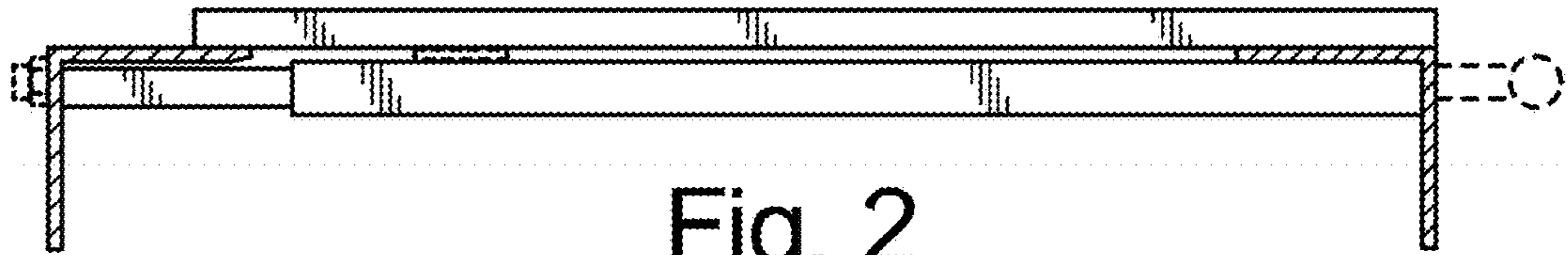


Fig. 2

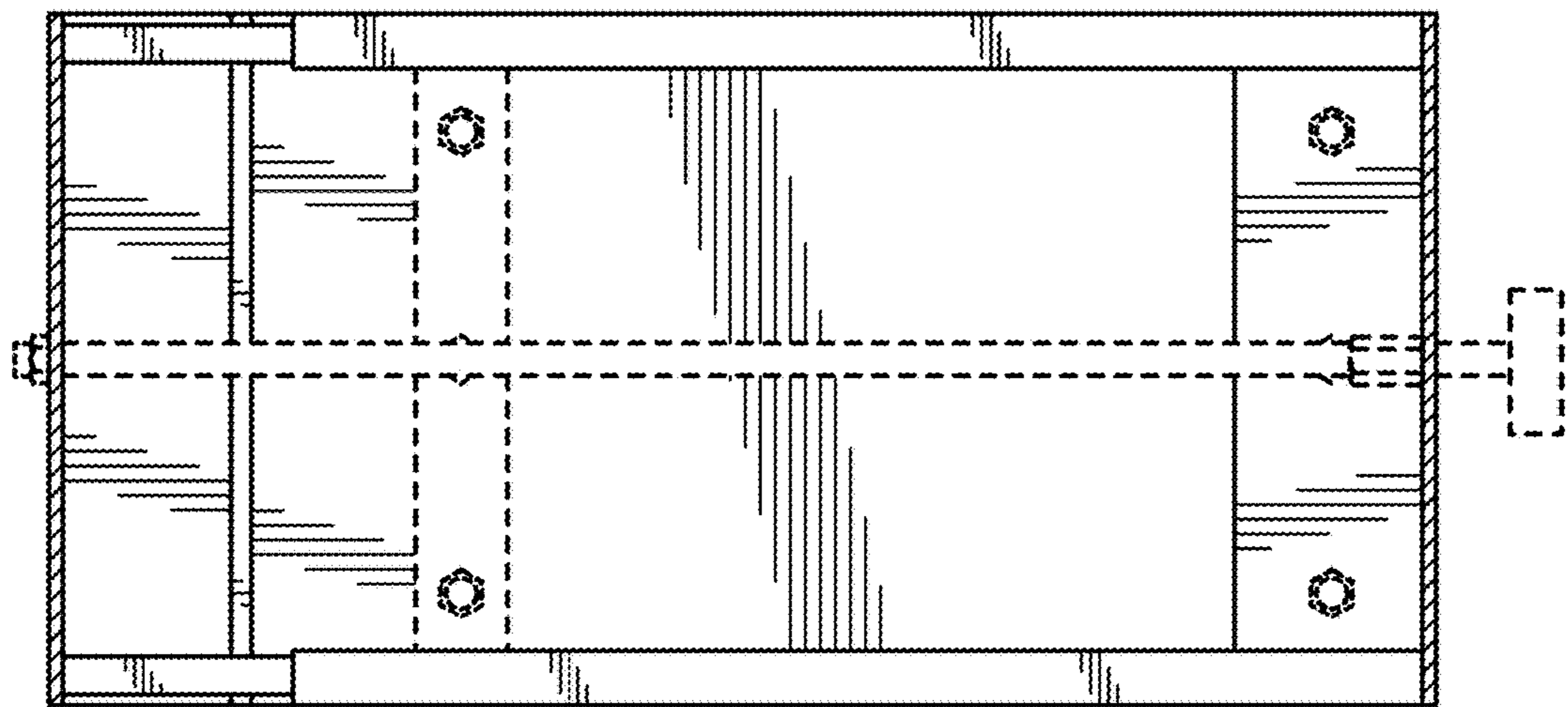


Fig. 3

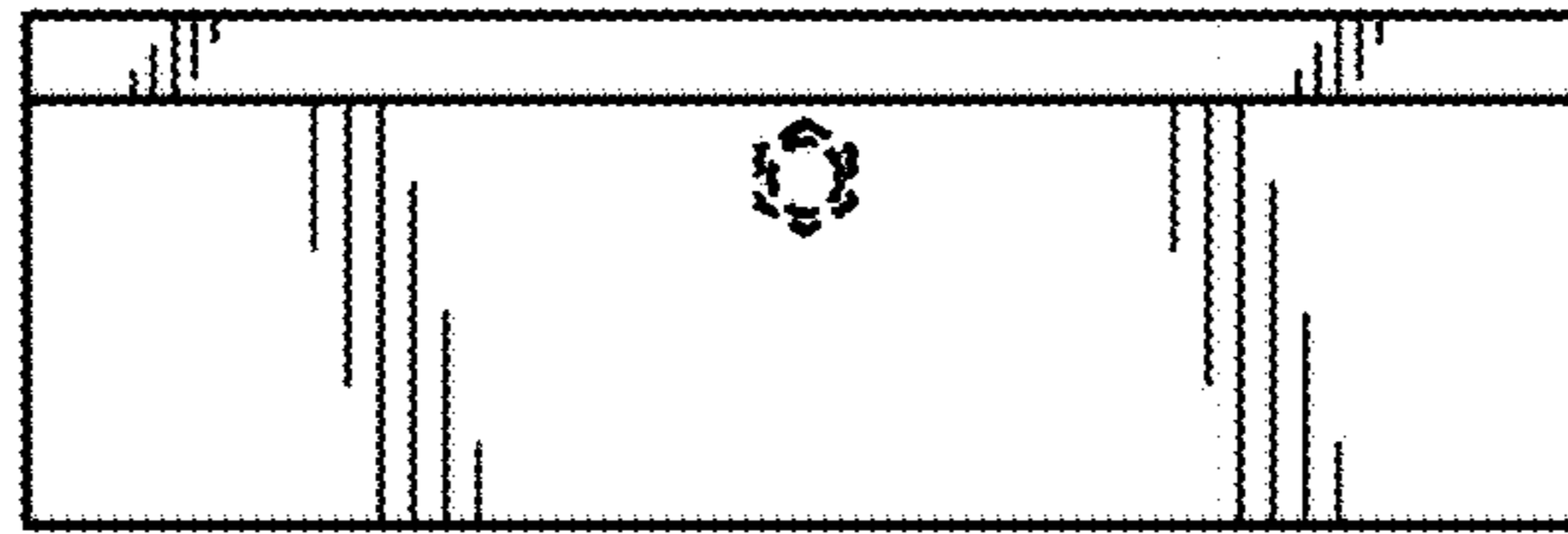


Fig. 4

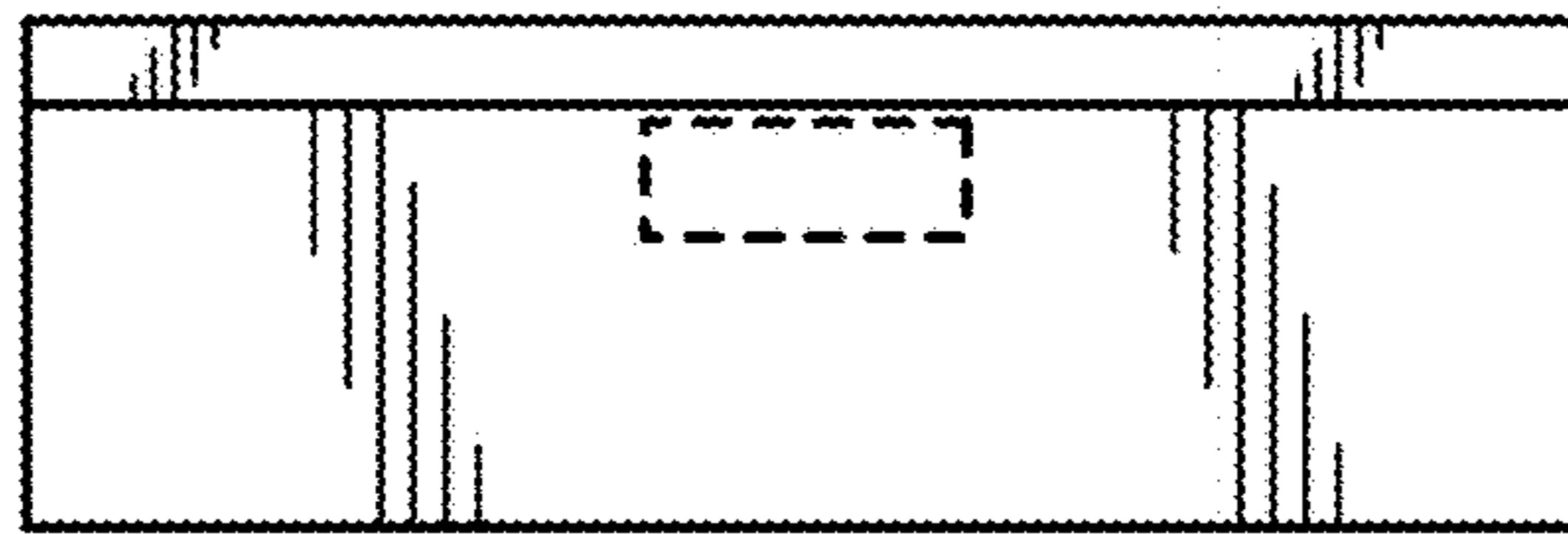


Fig. 5

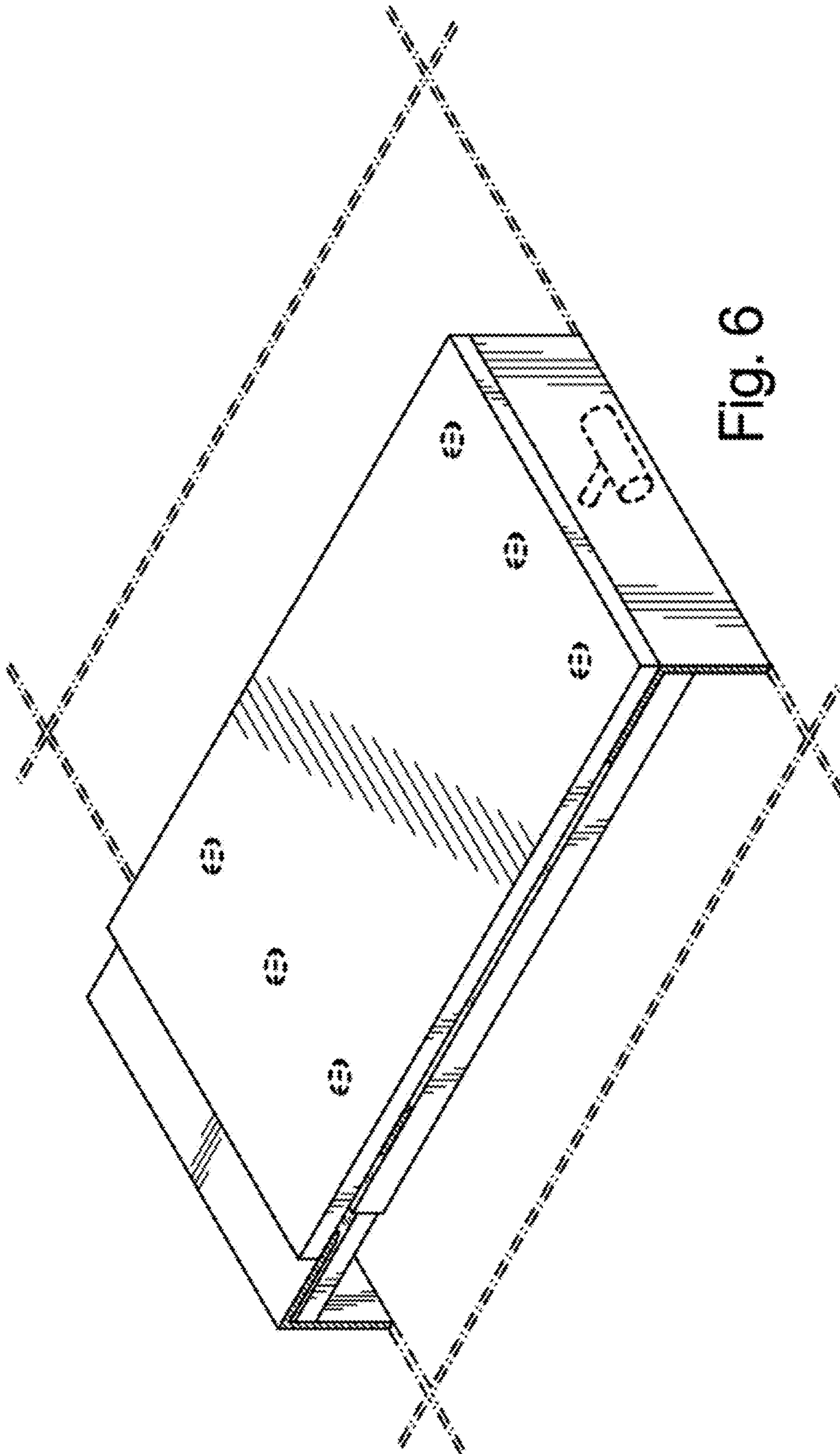


Fig. 6

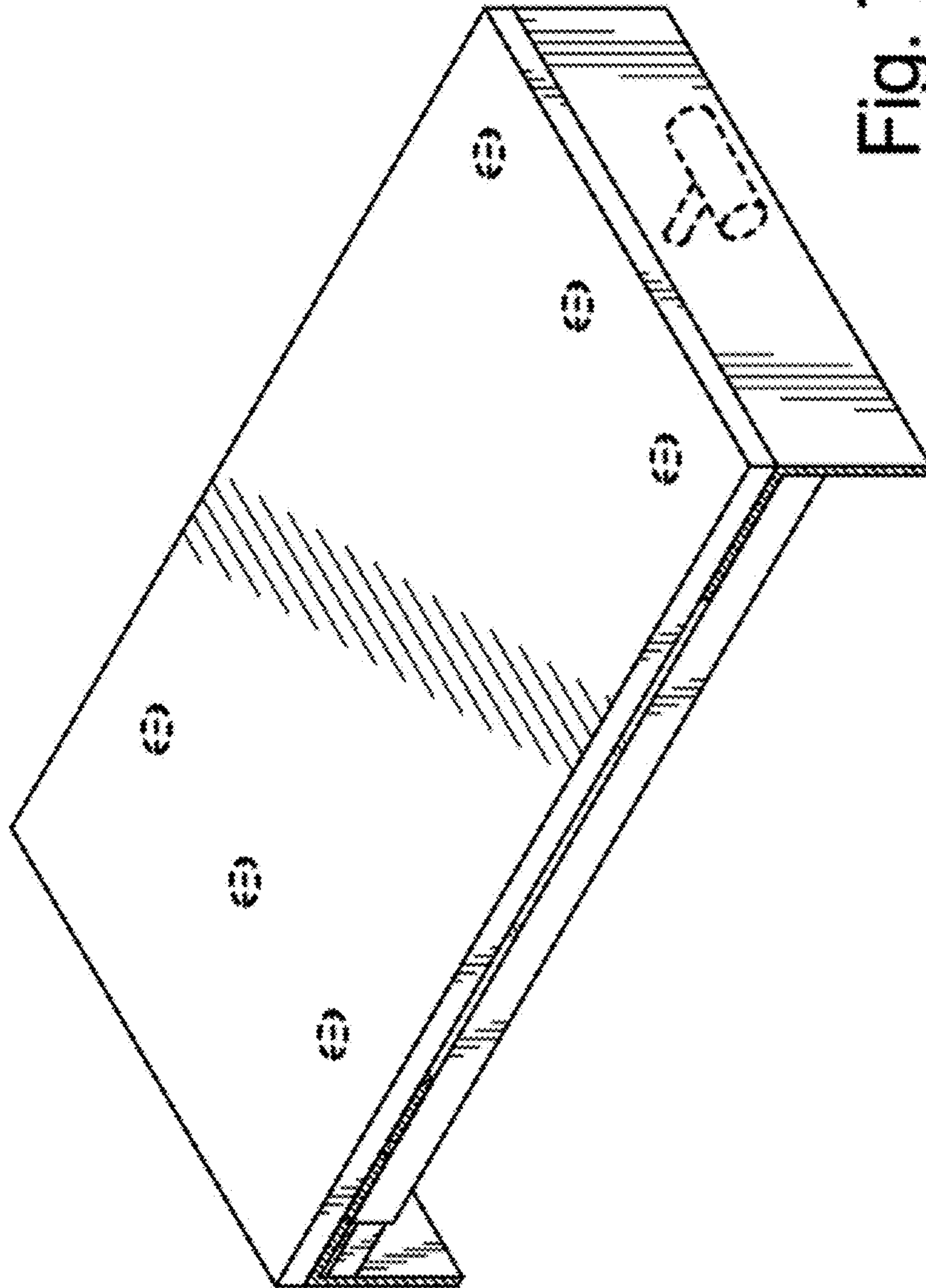


Fig. 7