



US00D856531S

(12) **United States Design Patent**  
**Espili**

(10) **Patent No.:** **US D856,531 S**

(45) **Date of Patent:** **\*\* Aug. 13, 2019**

(54) **VAULT FOR CHEMICAL INJECTION SYSTEM**

(71) Applicant: **SITCO Enterprises, LLC**, Sugar Land, TX (US)

(72) Inventor: **Mehriar Kaviani Espili**, Sugar Land, TX (US)

(73) Assignee: **SITCO ENTERPRISES, LLC**, Sugar Land, TX (US)

(\*\*) Term: **15 Years**

(21) Appl. No.: **29/612,643**

(22) Filed: **Aug. 2, 2017**

(51) **LOC (12) Cl.** ..... **25-03**

(52) **U.S. Cl.**  
USPC ..... **D25/18; D23/207; D23/202**

(58) **Field of Classification Search**  
USPC ..... D25/1, 3-35, 56, 61  
CPC ..... E04H 9/00; E04H 9/04-16; E04B 1/32-3205; B65D 90/22; B65D 88/128  
See application file for complete search history.

(56) **References Cited**

**U.S. PATENT DOCUMENTS**

727,579	A *	5/1903	Bonus	.....	E04B 1/34
					52/236.2
D193,927	S *	10/1962	Prator	.....	D25/18
D211,782	S *	7/1968	Bright	.....	D25/16
D237,179	S *	10/1975	Laswell	.....	D23/203
D244,449	S *	5/1977	Kerr	.....	D23/202
D325,422	S *	4/1992	DeLoach	.....	D23/207

D357,530	S *	4/1995	Grenier	.....	D23/203
D373,426	S *	9/1996	Maxwell	.....	D25/16
D410,726	S *	6/1999	Cook	.....	D23/200
6,079,580	A *	6/2000	Garton	.....	B65D 88/128
					206/509
D445,476	S *	7/2001	Ball	.....	D23/202
D498,815	S *	11/2004	Greer	.....	D23/203
D613,819	S *	4/2010	DiTullio	.....	D23/207
D638,094	S *	5/2011	DiTullio	.....	D23/202
D638,095	S *	5/2011	DiTullio	.....	D23/202
D668,318	S *	10/2012	DiTullio	.....	D23/207
2004/0184884	A1 *	9/2004	DiTullio	.....	E03F 1/003
					405/43
2010/0196099	A1 *	8/2010	DiTullio	.....	E03F 1/003
					405/52

\* cited by examiner

*Primary Examiner* — Brett Miller

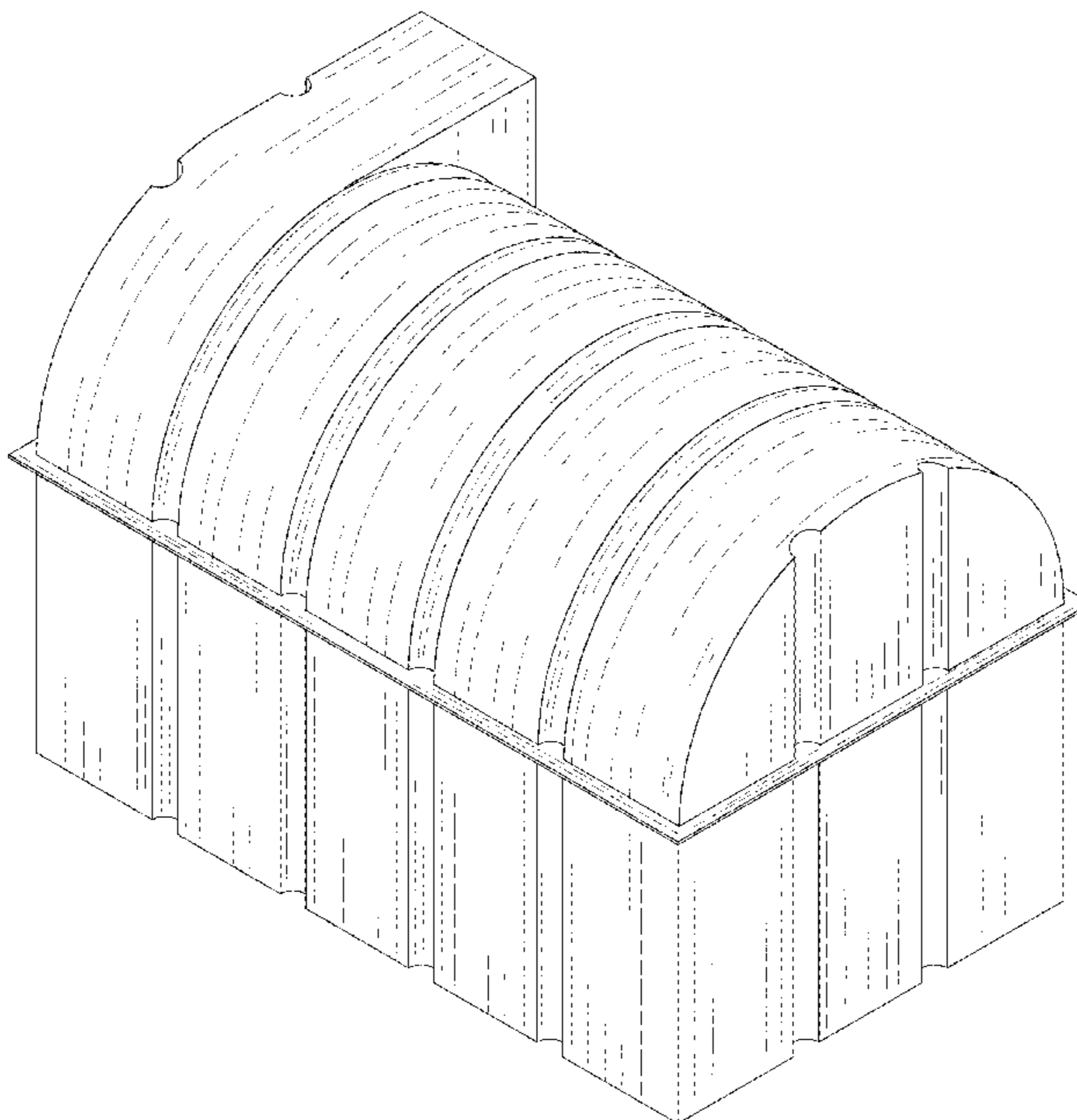
(57) **CLAIM**

The ornamental design for a vault for chemical injection system, as shown and described.

**DESCRIPTION**

FIG. 1 is a top front left perspective view of vault for chemical injection system showing my new design; FIG. 2 is a top front right perspective view thereof; FIG. 3 is a top back right perspective view thereof; FIG. 4 is a top back left view thereof; FIG. 5 is a top view thereof; FIG. 6 is a bottom view thereof; FIG. 7 is a left view thereof; FIG. 8 is a right view thereof; FIG. 9 is a front view thereof; and, FIG. 10 is a back view thereof.

**1 Claim, 10 Drawing Sheets**



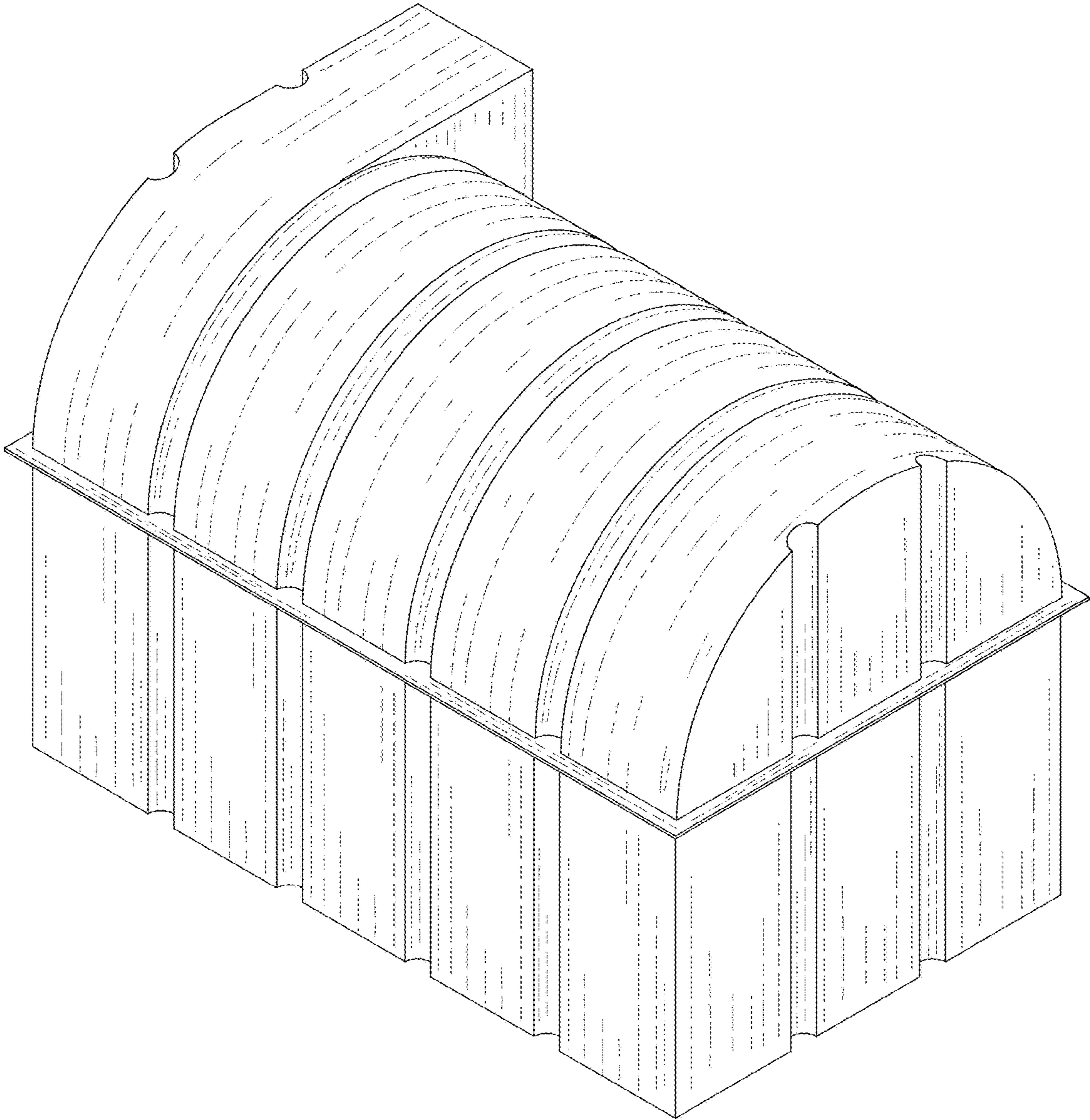


FIG. 1

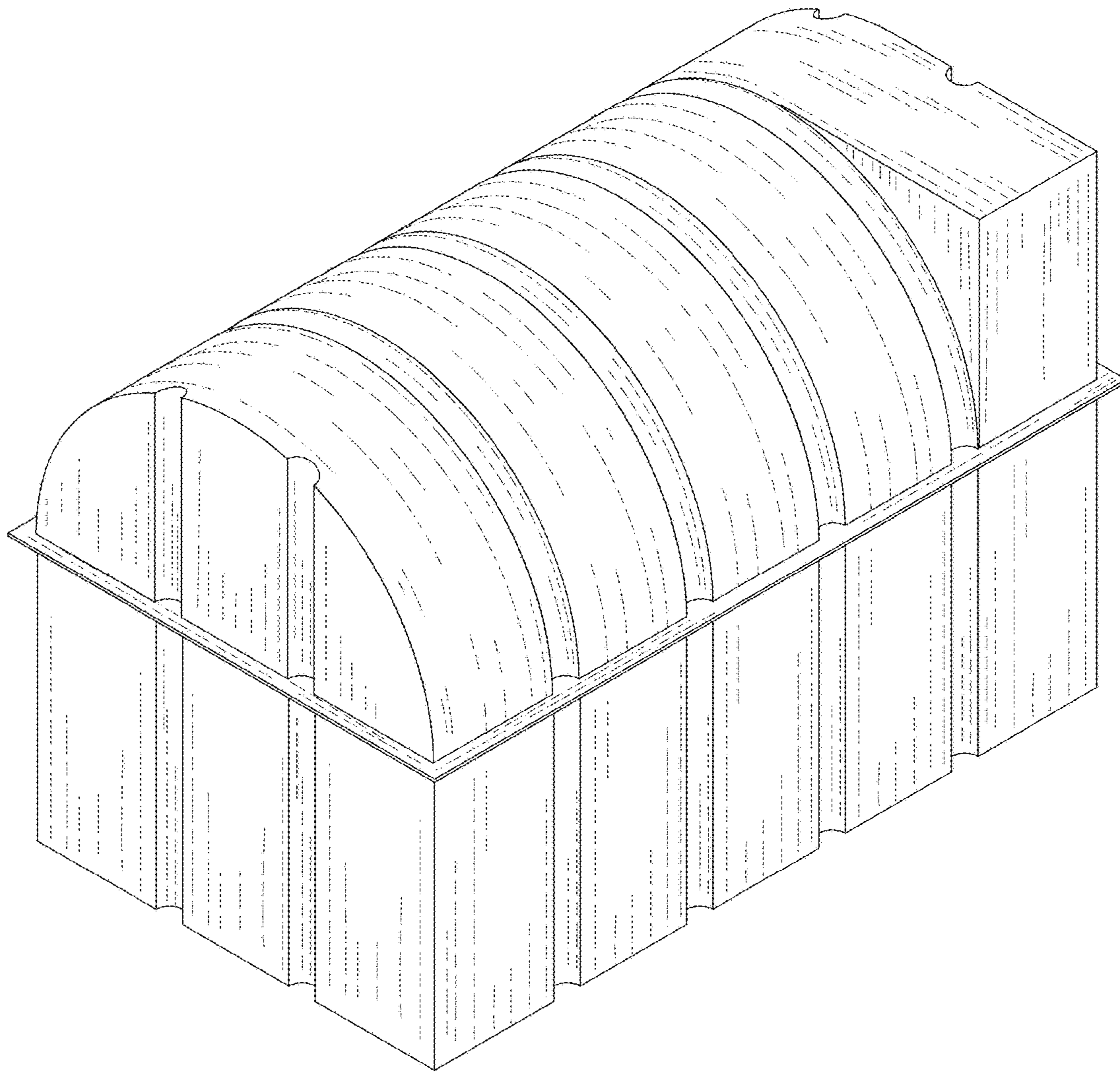


FIG. 2



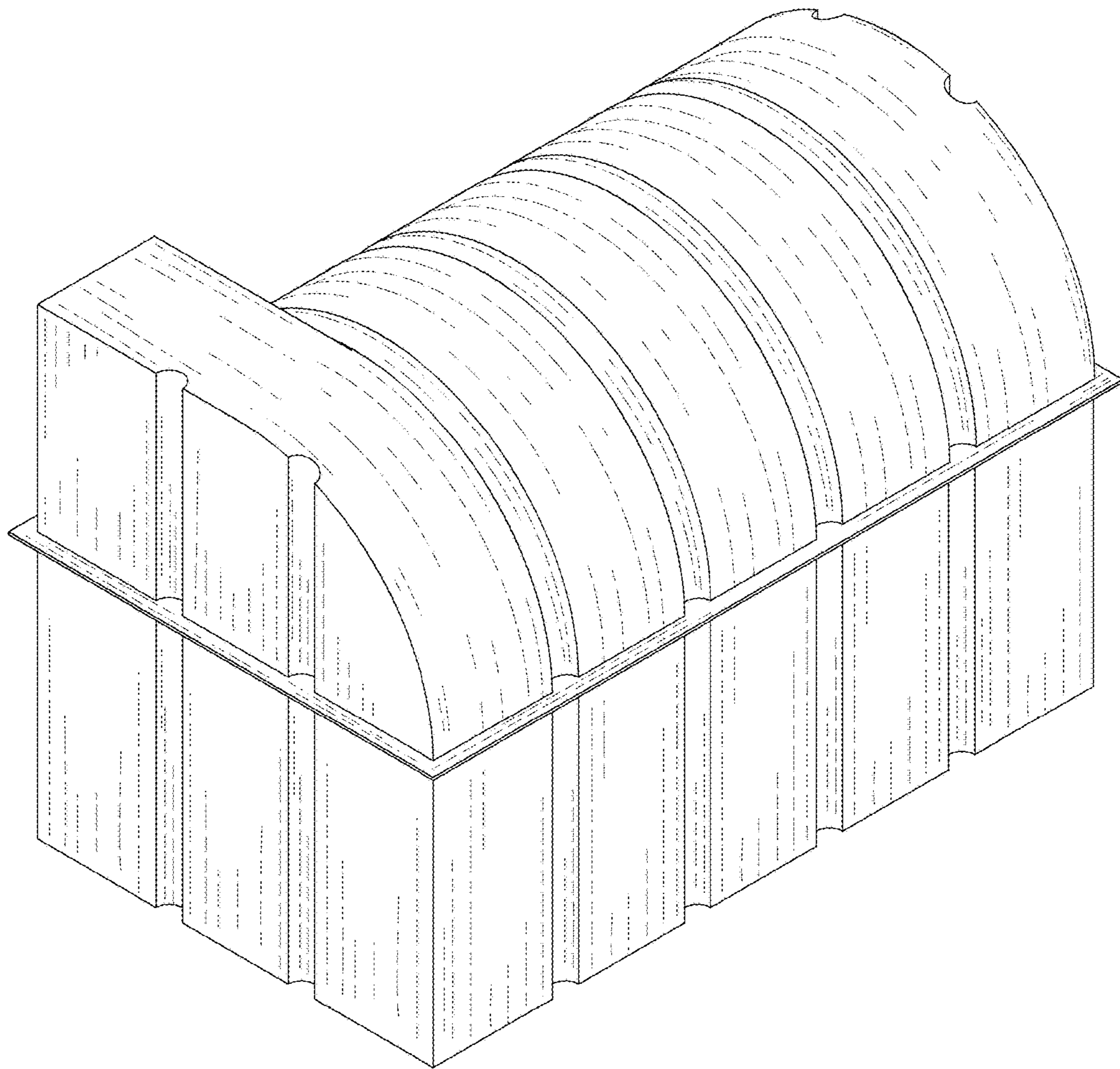


FIG. 3

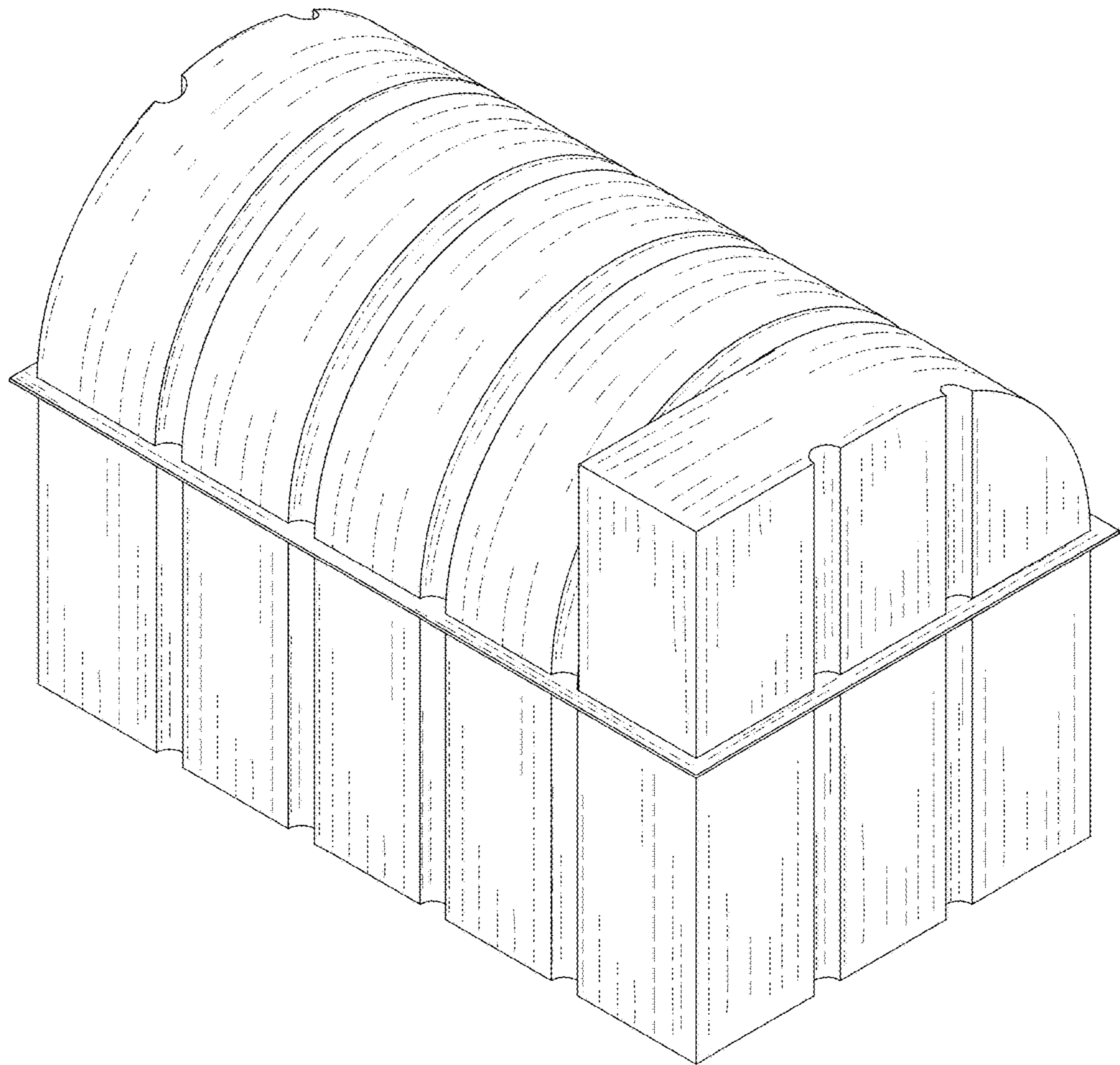


FIG. 4

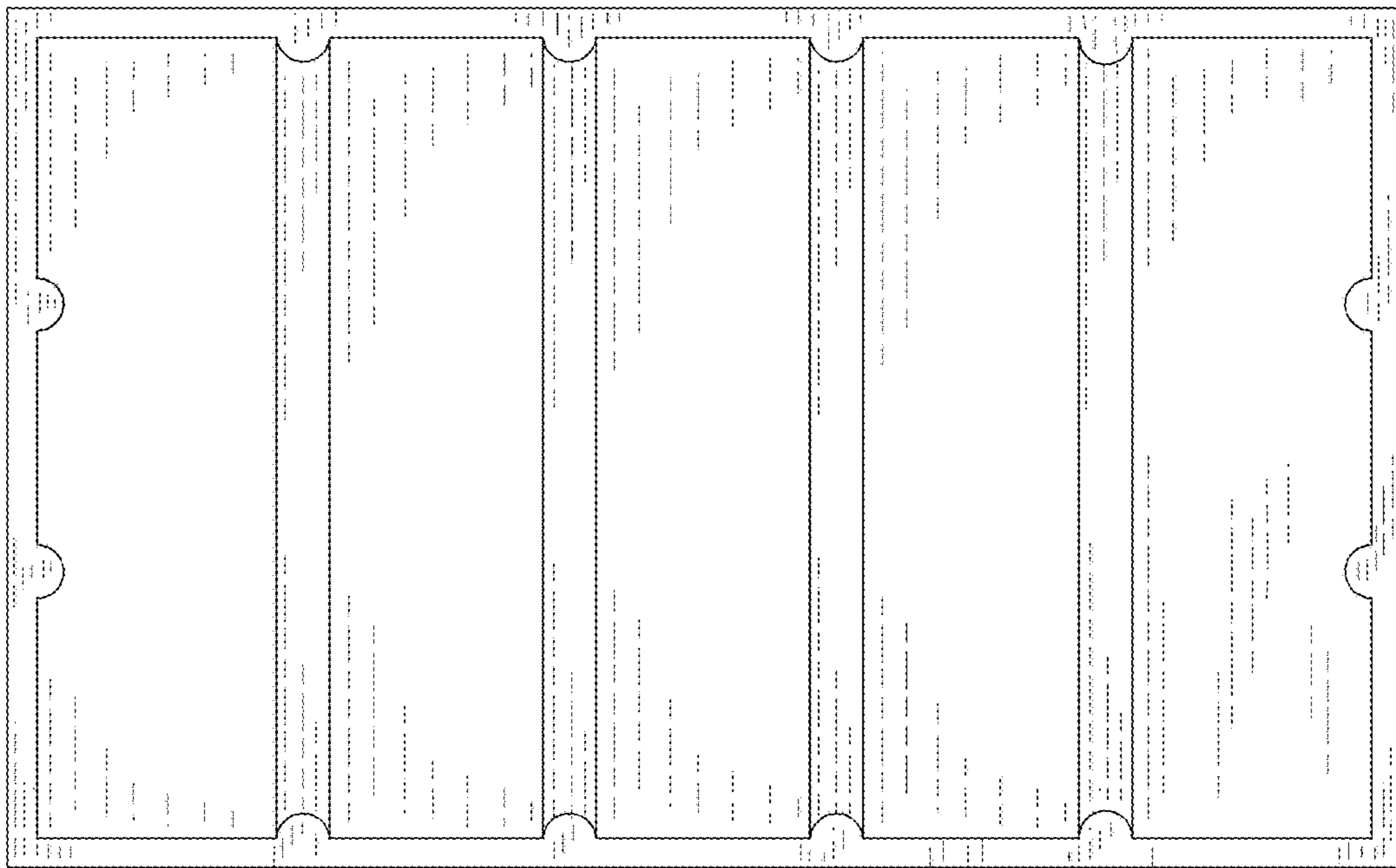


FIG. 5

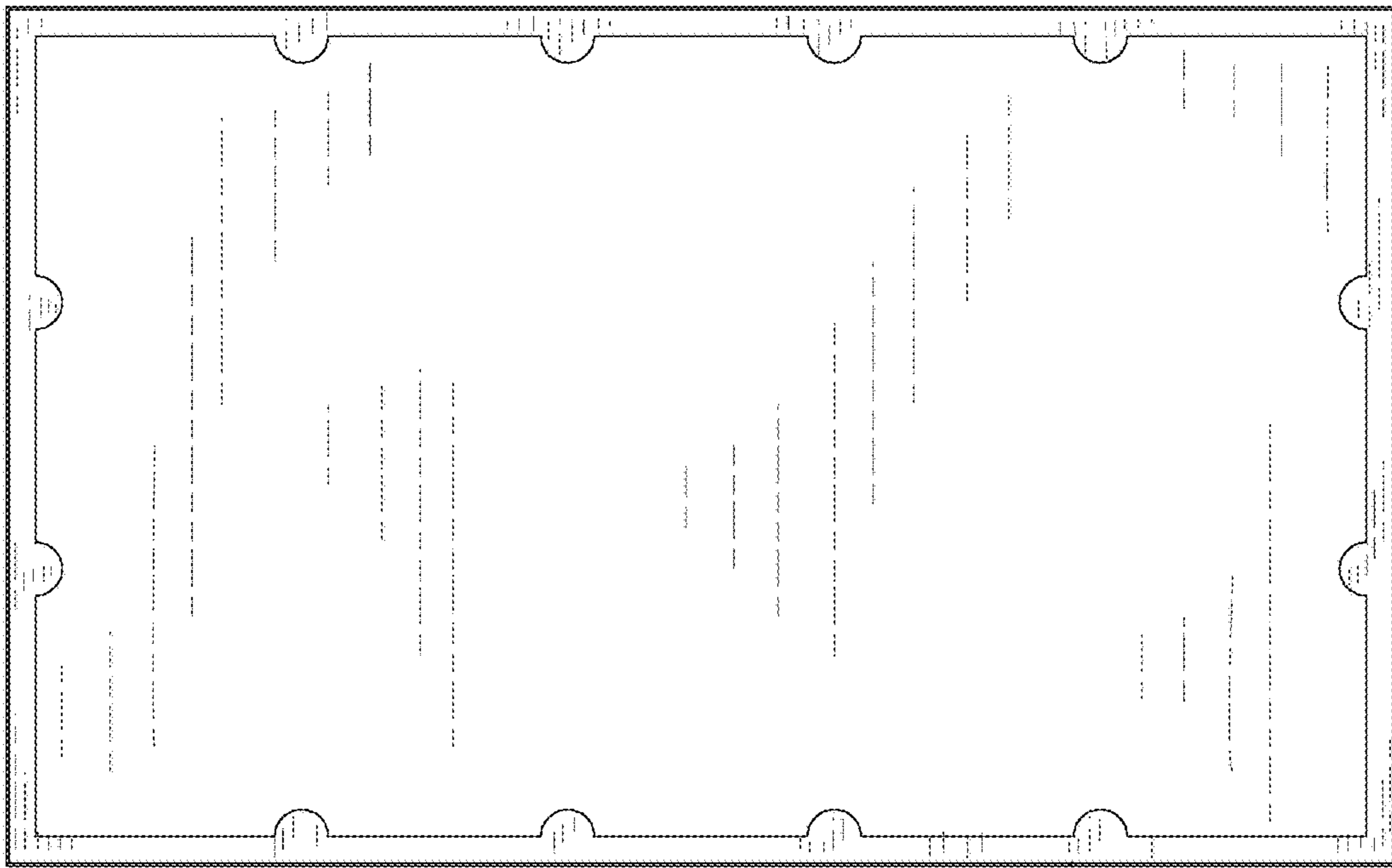


FIG. 6

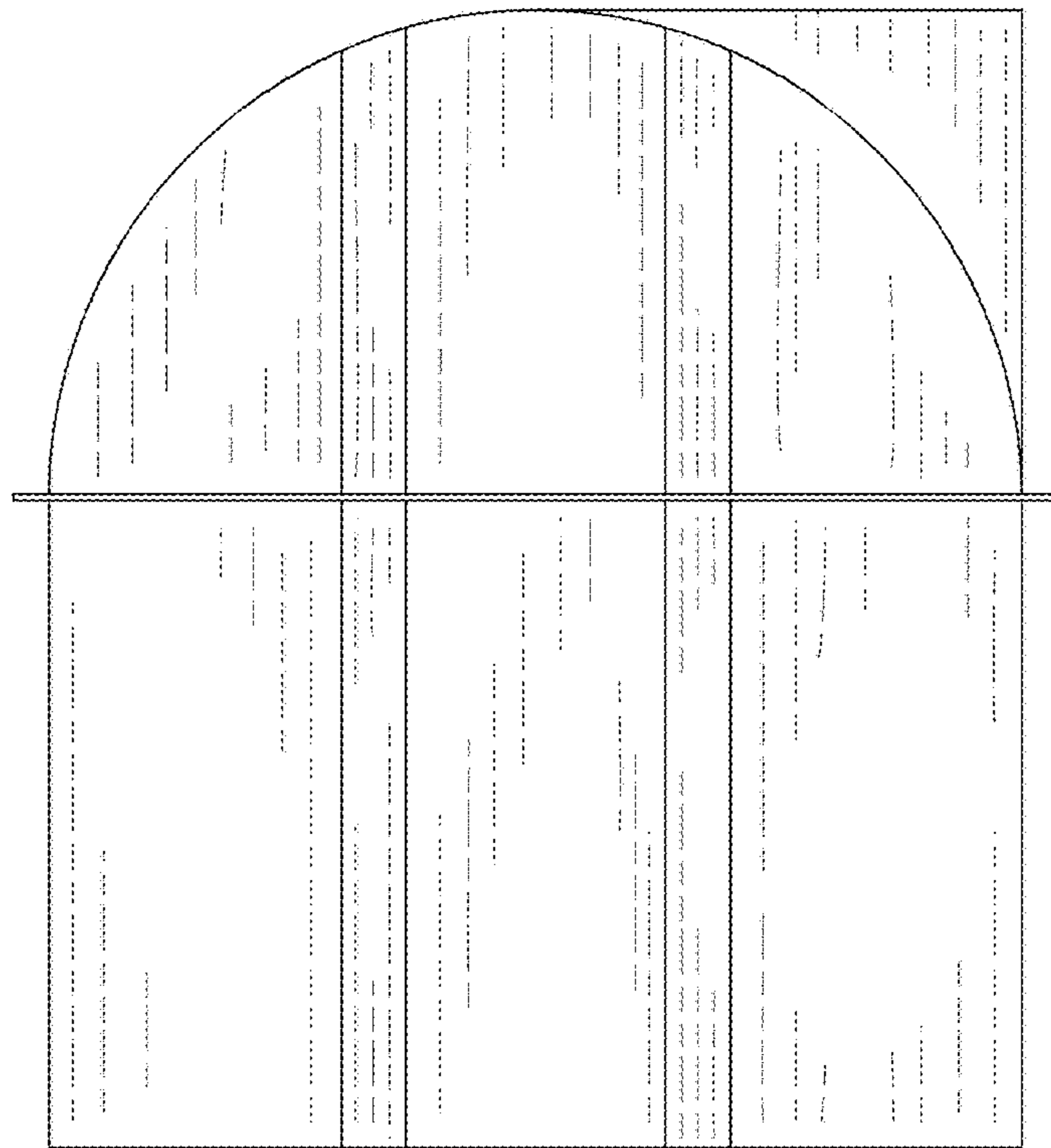


FIG. 7



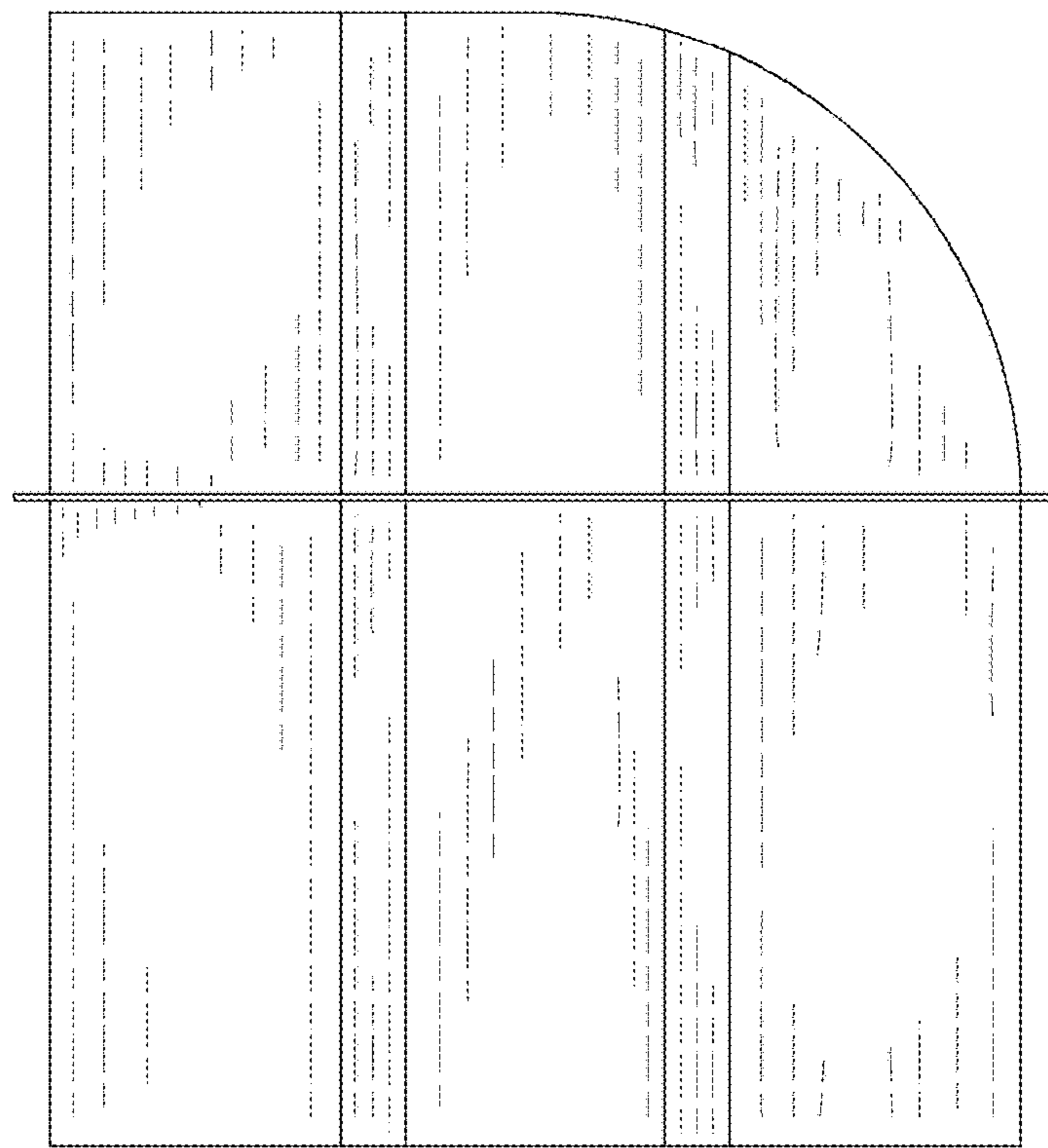


FIG. 8

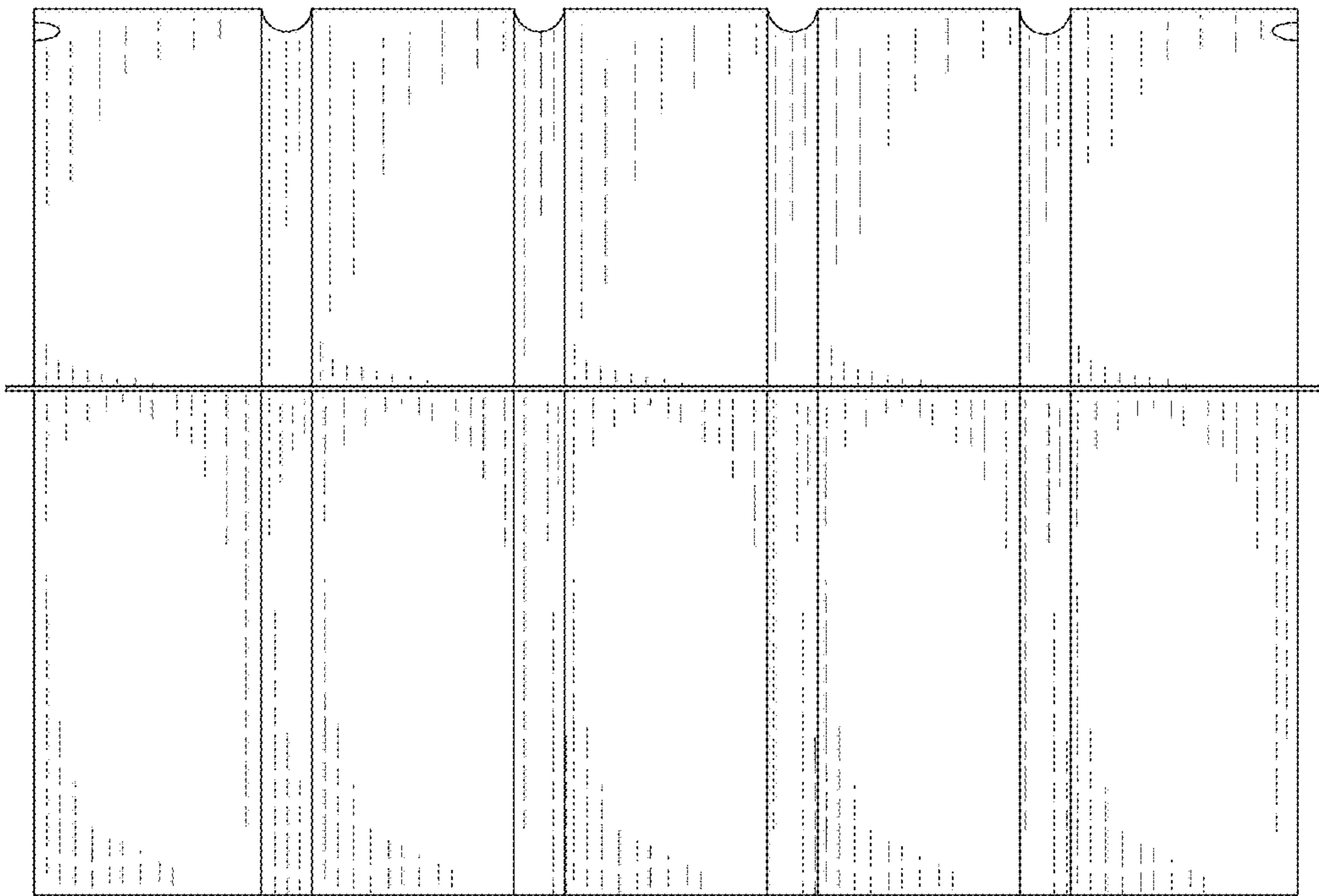


FIG. 9

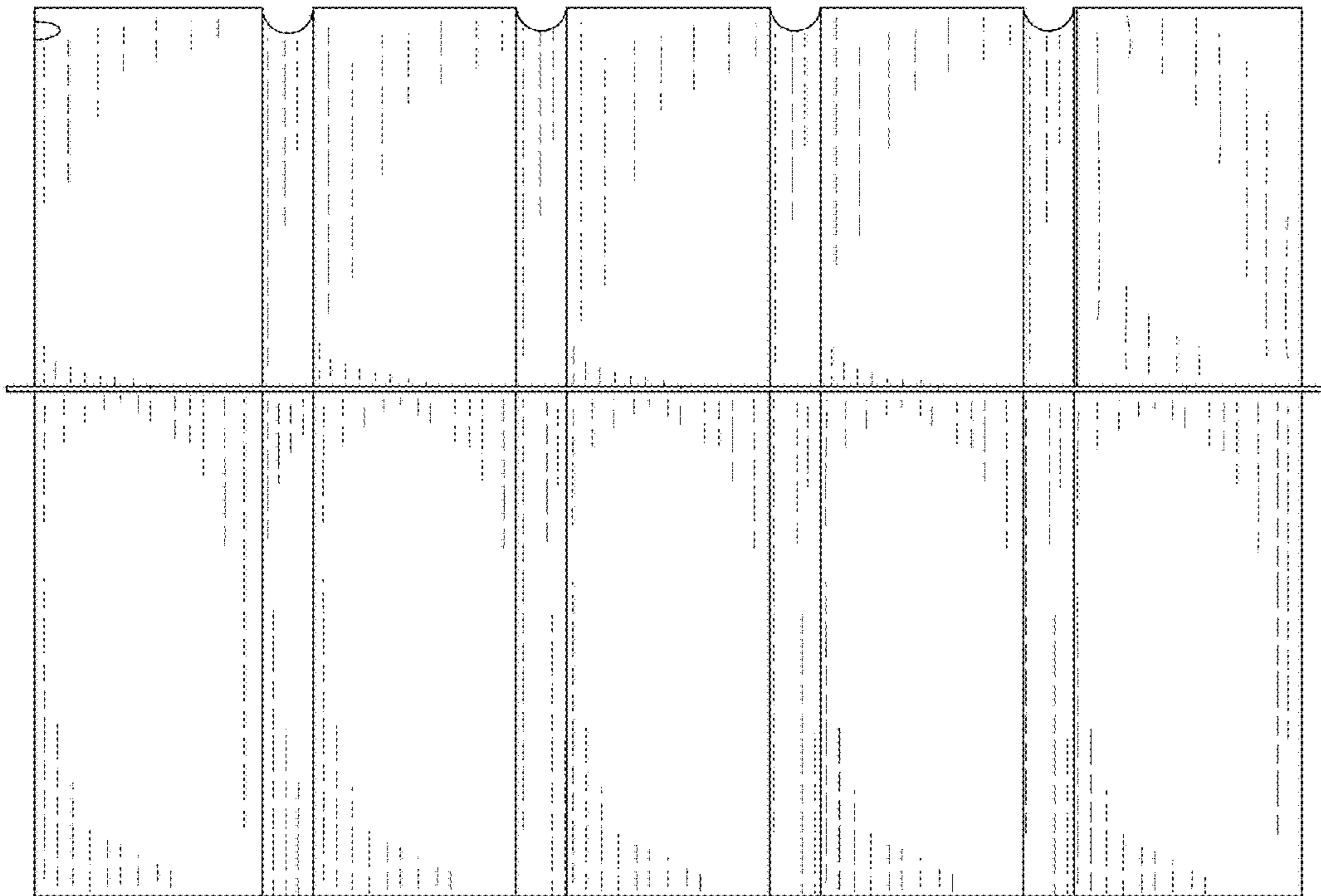


FIG. 10