



US00D856529S

(12) **United States Design Patent** (10) **Patent No.:** **US D856,529 S**  
**Mikolajczyk** (45) **Date of Patent:** **\*\* Aug. 13, 2019**

(54) **BOOTH**

(56) **References Cited**

(71) Applicant: **“MIKOMAX SPOLKA Z OGRANICZONA ODPOWIEDZIALNOSCIA” SPOLKA KOMANDYTOWA**, Lodz (PL)

U.S. PATENT DOCUMENTS

D638,551 S *	5/2011	Gann	.....	D25/16
D732,691 S *	6/2015	Hallfors	.....	D25/16
D734,491 S *	7/2015	Krymov	.....	D25/16
D736,949 S *	8/2015	Dar	.....	D25/16
D768,874 S *	10/2016	Walter	.....	D25/16
D788,318 S *	5/2017	Jennings	.....	D25/16
D822,849 S *	7/2018	Levy	.....	D25/35

(72) Inventor: **Janusz Mikolajczyk**, Lodz (PL)

(73) Assignee: **“MIKOMAX SPOLKA Z OGRANICZONA ODPOWIEDZIALNOSCIA” SPOLKA KOMANDYTOWA**, Lodz (PL)

FOREIGN PATENT DOCUMENTS

EP	1229184 A1 *	8/2002	.....	E04H 1/14
WO	WO-2017134341 A1 *	8/2017	.....	E04H 1/14

\* cited by examiner

(\*\*) Term: **15 Years**

*Primary Examiner* — Brett Miller

(21) Appl. No.: **29/622,699**

(74) *Attorney, Agent, or Firm* — Mark M. Friedman

(22) Filed: **Oct. 19, 2017**

(57) **CLAIM**

(51) **LOC (12) Cl.** ..... **25-03**

The ornamental design for a booth, as shown and described.

(52) **U.S. Cl.**  
USPC ..... **D25/16**

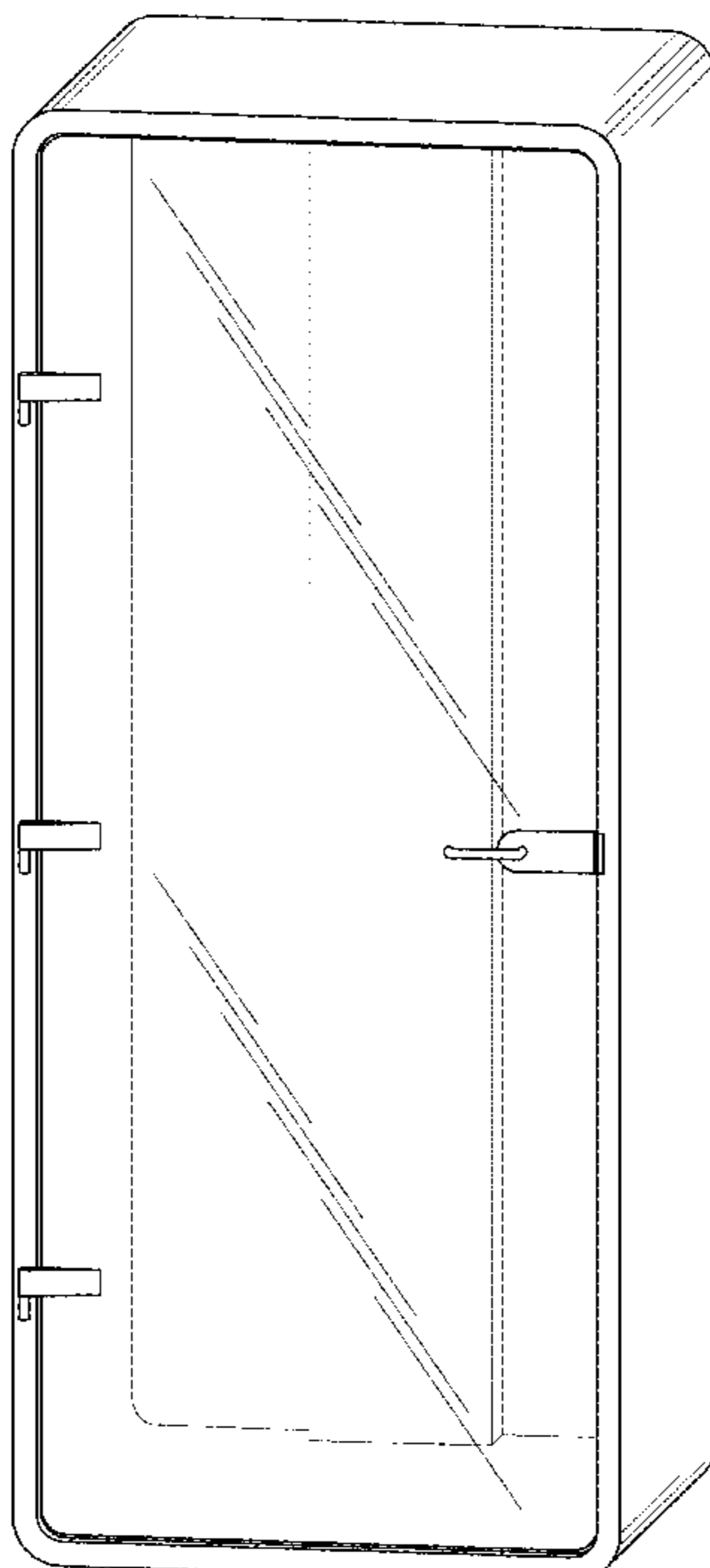
**DESCRIPTION**

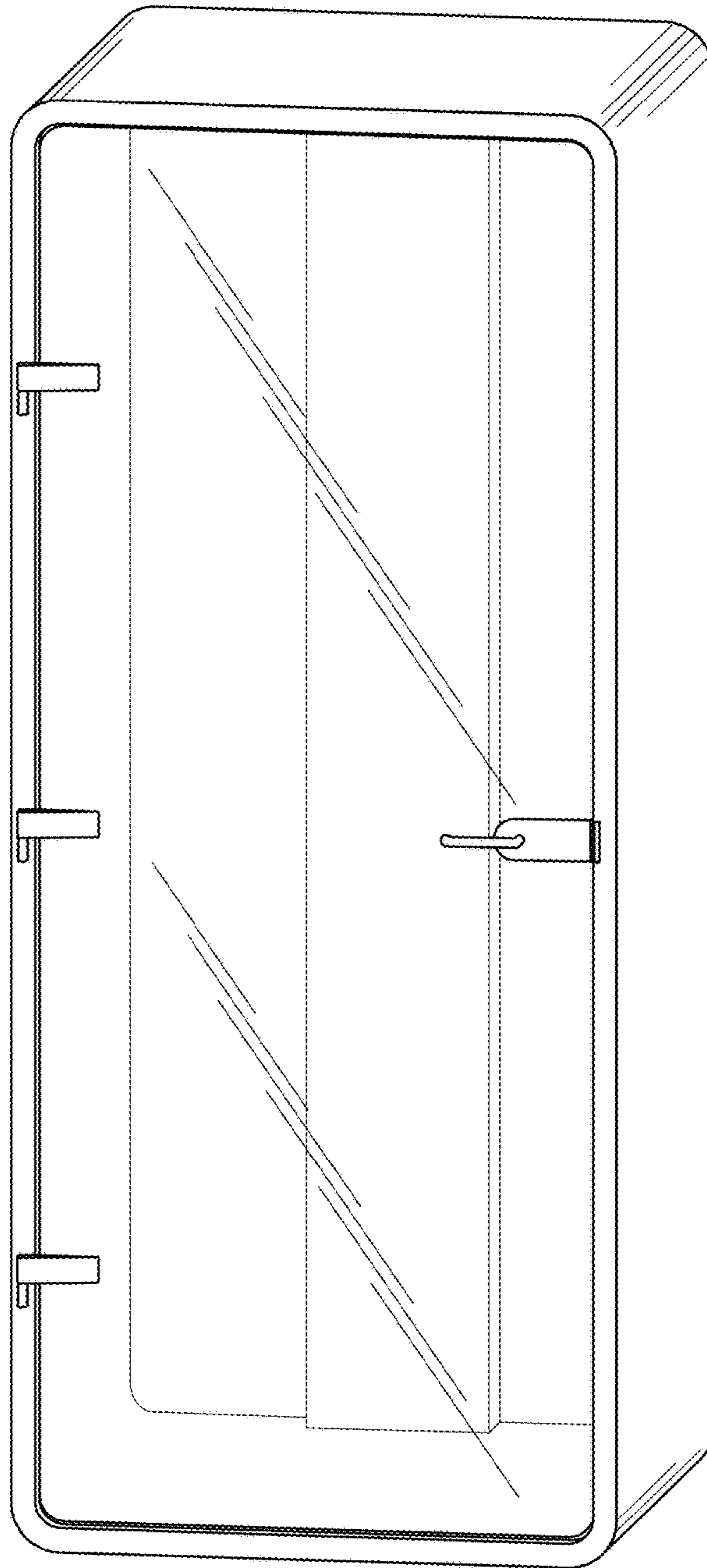
(58) **Field of Classification Search**  
USPC ..... D25/1, 4, 16, 18, 32, 33, 35, 56;  
D6/640, 335, 337; D21/326; D16/215  
CPC .. E04H 1/00; E04H 1/005; E04H 1/12; E04H  
1/1205; E04H 1/1216; E04H 1/1222;  
E04H 1/1227; E04H 1/1233; E04H  
1/1244; E04H 1/125; E04H 1/1255; E04H  
1/1261; E04H 1/1266; E04H 1/14; E04H  
2001/1288; E04H 2001/1294; G03B  
17/53

FIG. 1 is a front perspective view showing my design;  
FIG. 2 is a rear perspective view thereof;  
FIG. 3 is a front view thereof;  
FIG. 4 is right side view thereof;  
FIG. 5 is a left side view thereof;  
FIG. 6 is a rear view thereof;  
FIG. 7 is a top view thereof; and,  
FIG. 8 is a bottom view thereof.

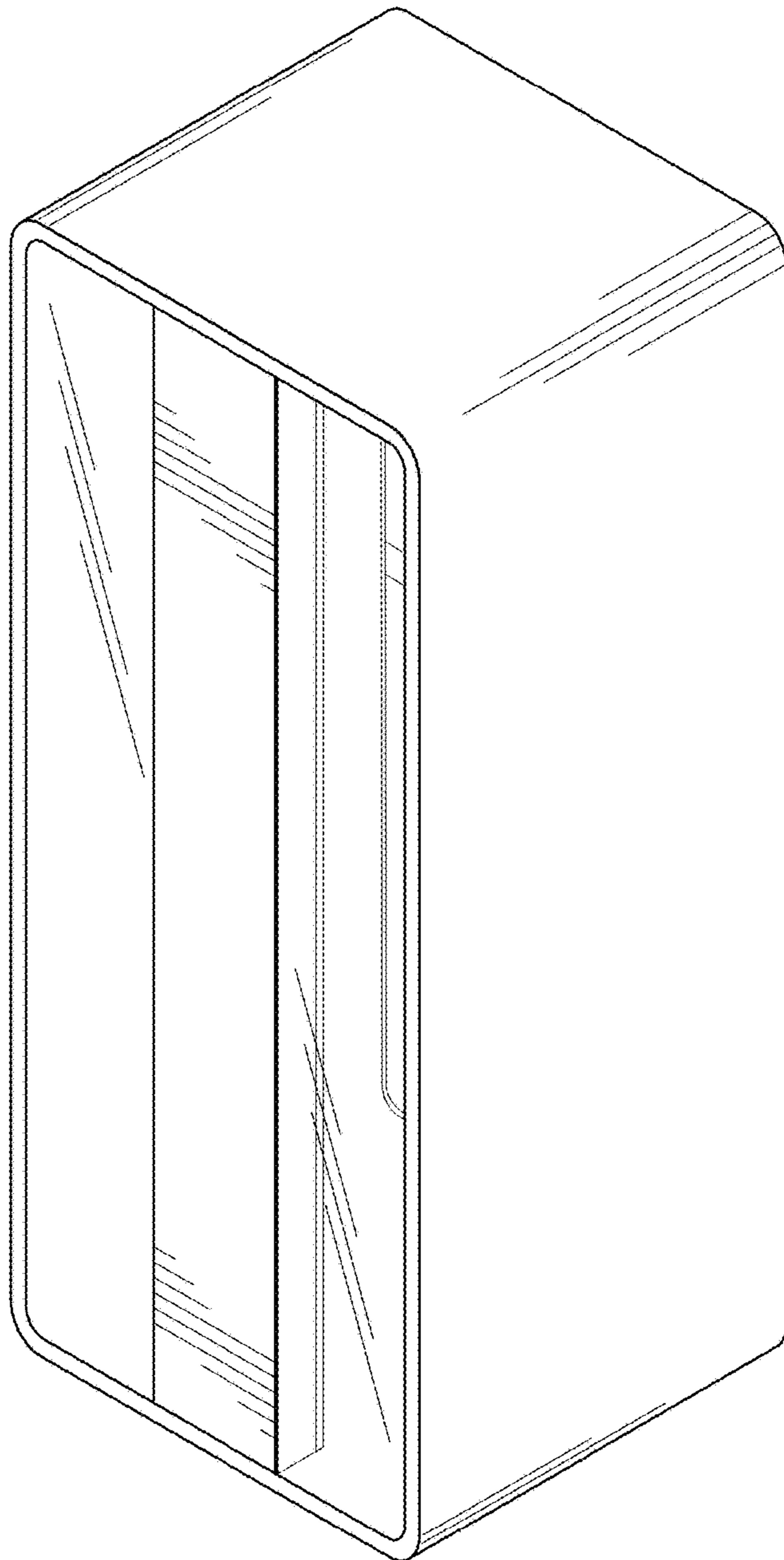
See application file for complete search history.

**1 Claim, 7 Drawing Sheets**

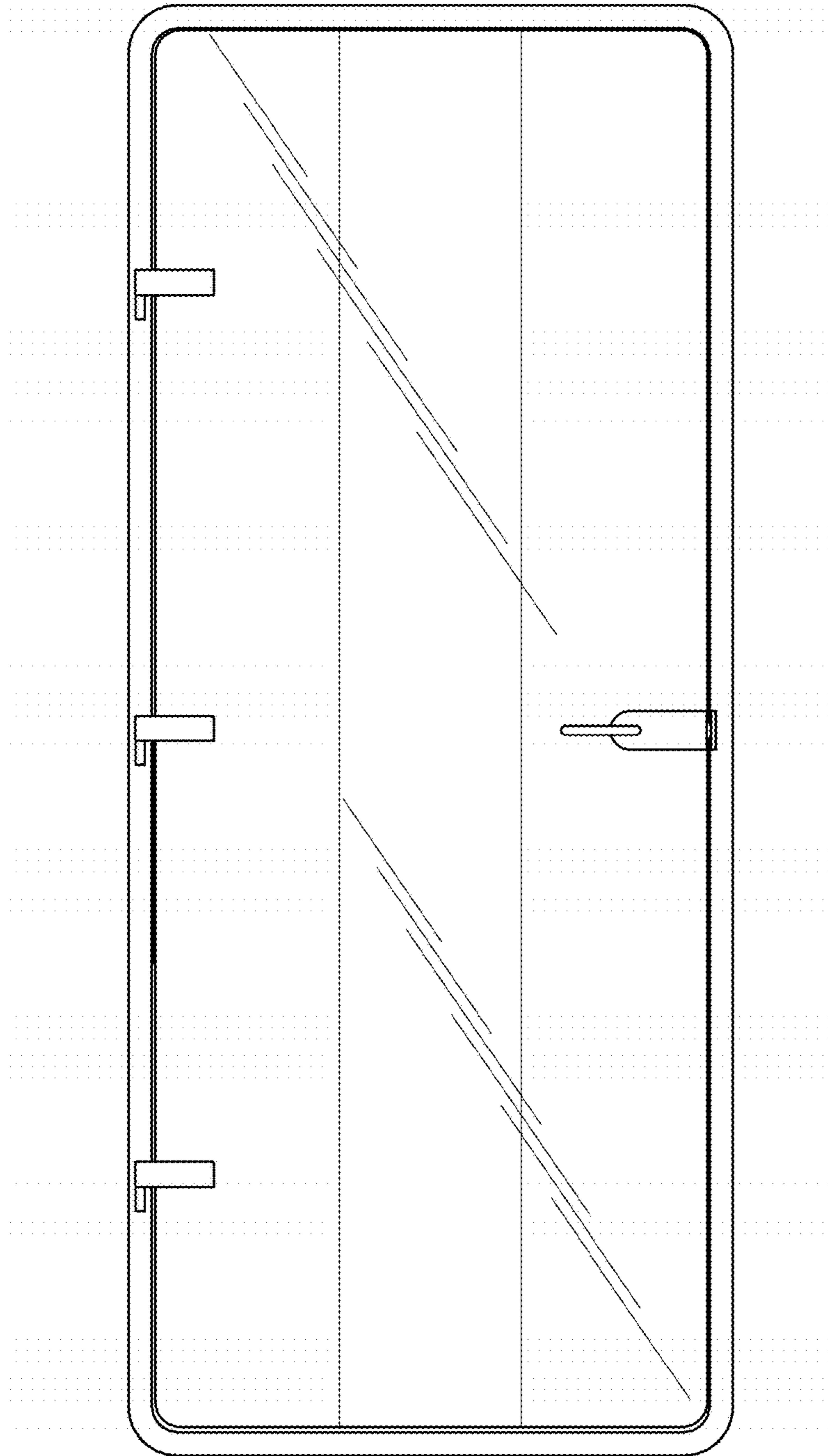




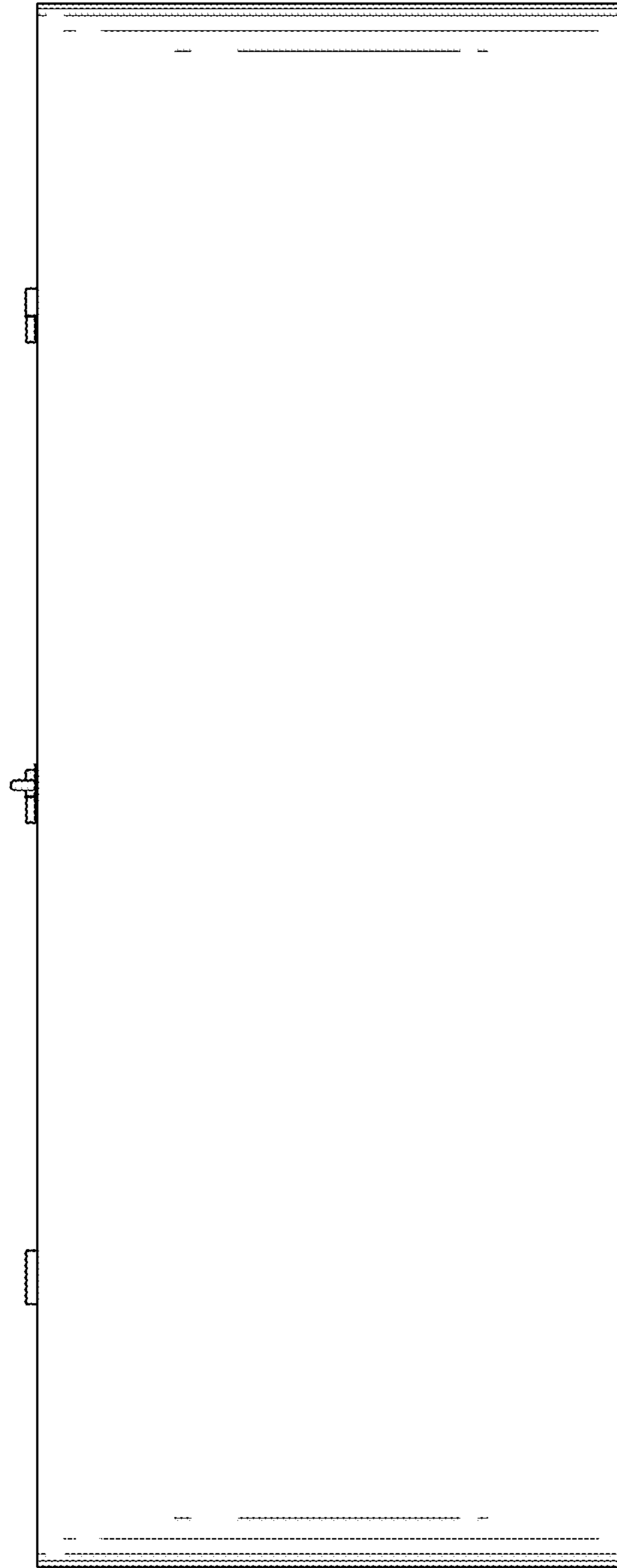
*FIG. 1*



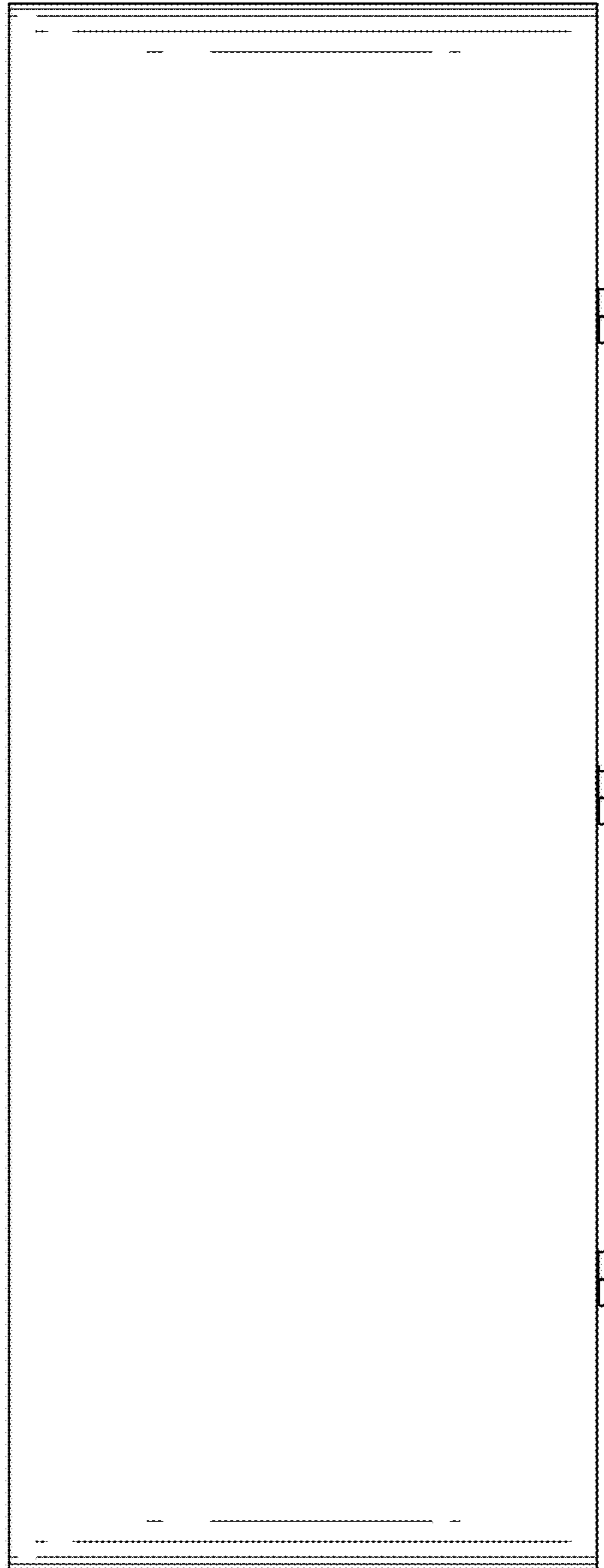
*FIG. 2*



*FIG. 3*



*FIG. 4*



*FIG. 5*

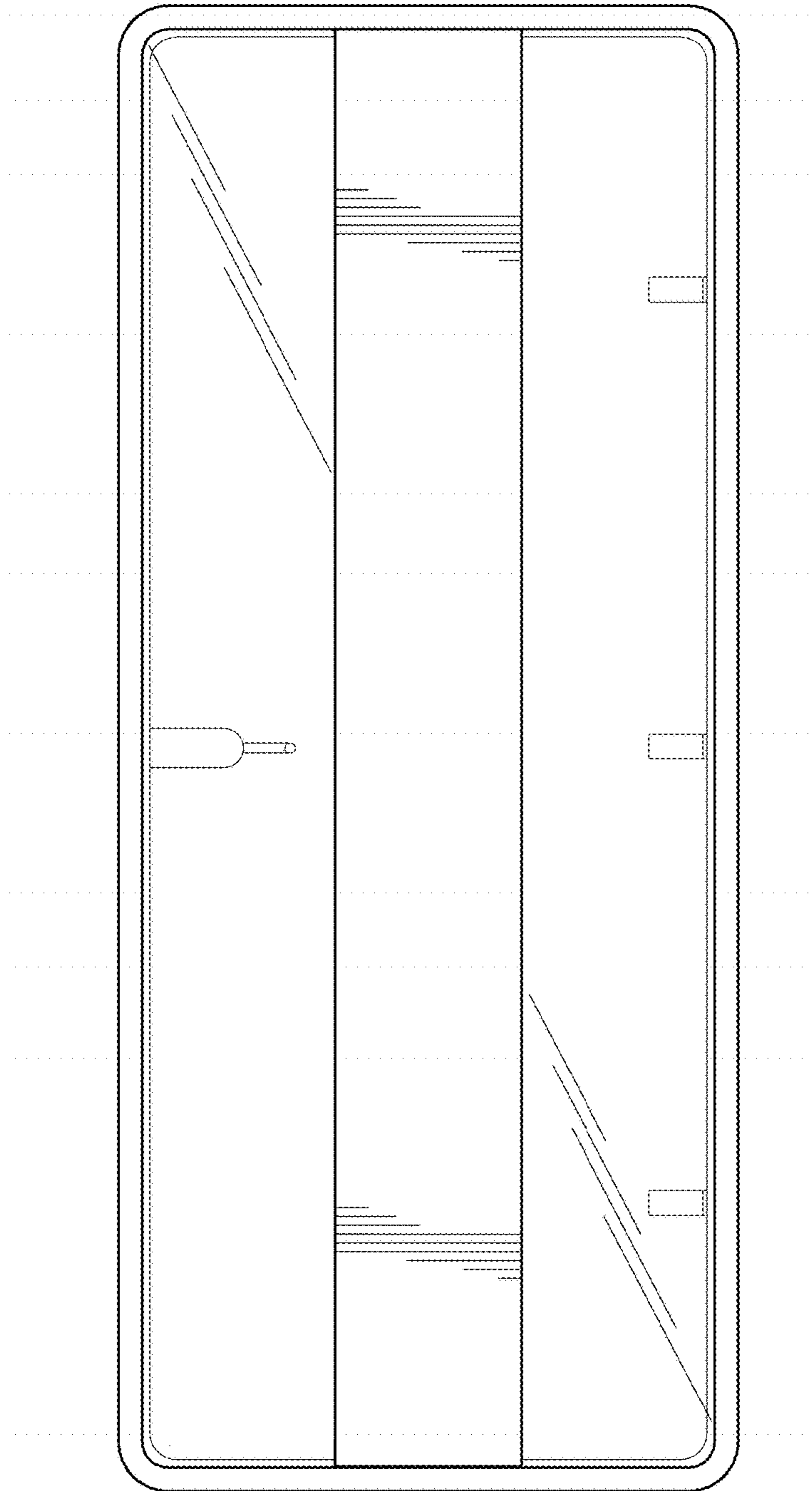
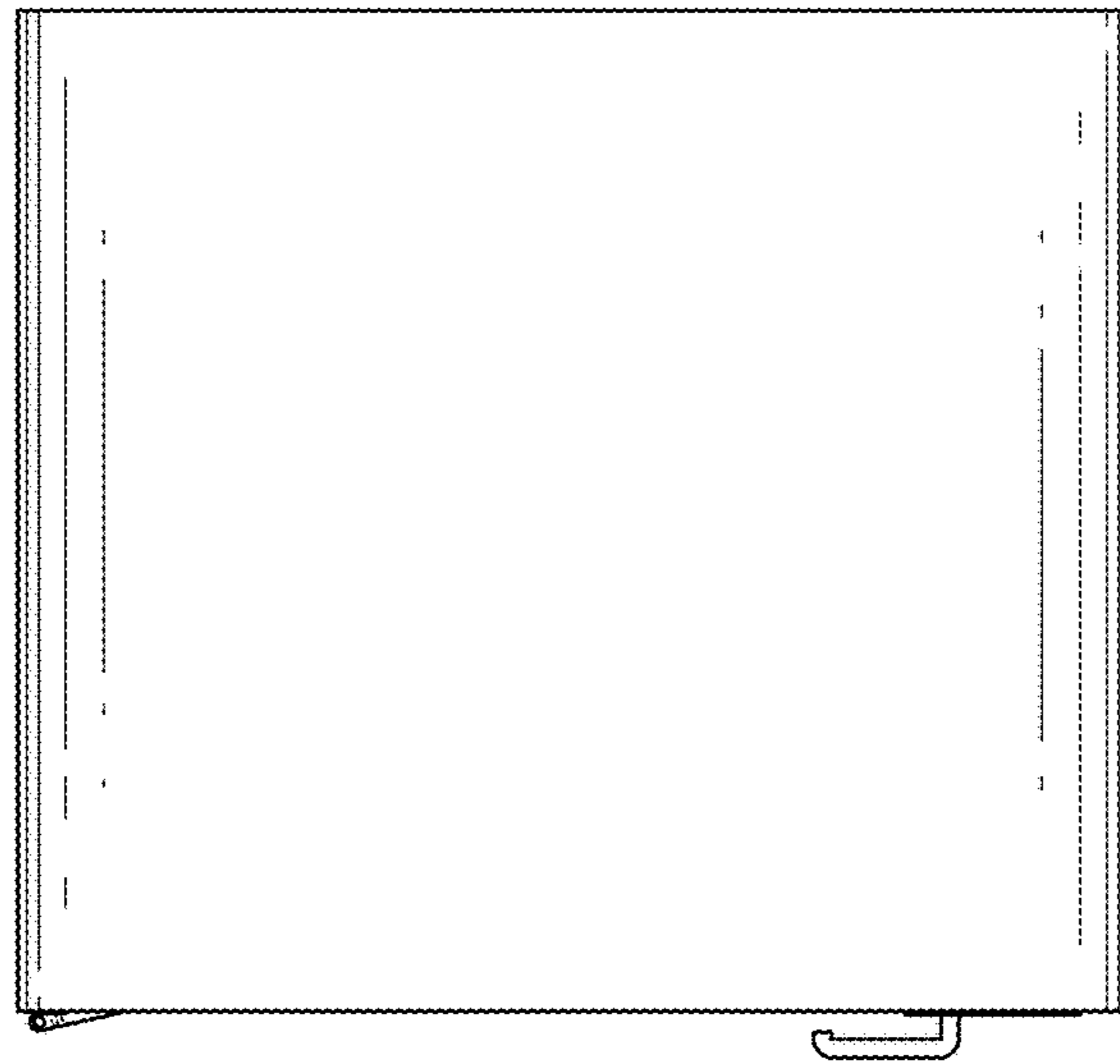
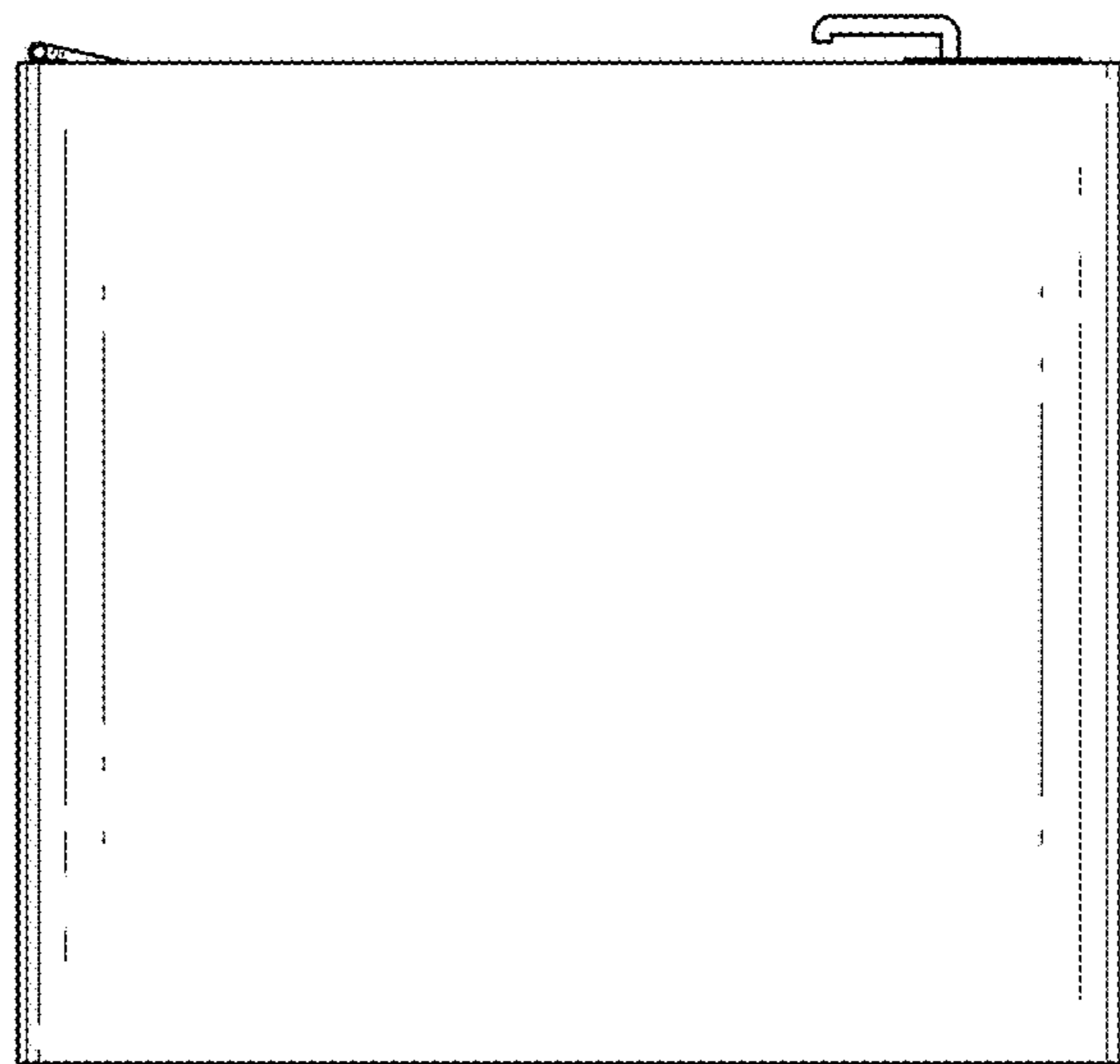


FIG. 6



*FIG. 7*



*FIG. 8*