



US00D856528S

(12) **United States Design Patent**
Bulloch et al.

(10) **Patent No.:** **US D856,528 S**
(45) **Date of Patent:** **** Aug. 13, 2019**

(54) **CASSETTE CLAMP FOR
ELECTROPHORESIS GEL CASTING**

FOREIGN PATENT DOCUMENTS

(71) Applicant: **LIFE TECHNOLOGIES
CORPORATION**, Carlsbad, CA (US)

WO	1995024640	9/1995
WO	1999054721	10/1999
WO	2007032951	3/2007

(72) Inventors: **Kyle Bulloch**, San Diego, CA (US);
Xin Mathers, Poway, CA (US)

OTHER PUBLICATIONS

(73) Assignee: **LIFE TECHNOLOGIES
CORPORATION**, Carlsbad, CA (US)

Caprette, D. "Characterization of red cell membrane proteins by SDS-Page—Preparing SDS Gels," <http://www.ruf.rice.edu/~bioslabs/studies/sds-page/gellab2a.html>, updated May 24, 2005, downloaded Jan. 2, 2017, pp. 1-5.

(**) Term: **15 Years**

Primary Examiner — Ian Simmons
Assistant Examiner — Samantha Q Lawrence

(21) Appl. No.: **29/545,635**

(57) **CLAIM**

(22) Filed: **Nov. 13, 2015**

The ornamental design for a cassette clamp for electrophoresis gel casting, as shown and described.

(51) **LOC (12) Cl.** **24-99**

(52) **U.S. Cl.**
USPC **D24/233**

DESCRIPTION

(58) **Field of Classification Search**
USPC D24/216, 222, 224–227, 231–233;
D10/81
CPC B01D 57/02; B01L 3/0268; B01L 3/0275;
B01L 3/5085; G01N 27/447; G01N
27/44704; G01N 27/44717; G01N
27/44721; G01N 27/44739; G01N
27/44743; G01N 27/44747; G01N
27/44756; G01N 27/44769; G01N
27/44773; G01N 27/44778; G01N
27/44782; G01N 27/44795; G01N
33/559561

This application is related to U.S. Design patent application Ser. No. 29/545,637, entitled "Rig for Electrophoresis Gel Casting," and filed on a date even herewith, the entire contents of each of which are incorporated by reference herein.

FIG. 1 is a front perspective view of a first embodiment of a cassette clamp for electrophoresis gel casting showing our new design.

FIG. 2 is back perspective view thereof.

FIG. 3 is a front view thereof.

FIG. 4 is a back view thereof.

FIG. 5 is a right side view thereof.

FIG. 6 is a left side view thereof.

FIG. 7 is a top view thereof.

FIG. 8 is a bottom view thereof; and,

FIG. 9 is a front perspective view thereof showing environmental structure.

The broken lines in the figures show unclaimed portions and environmental structure and form no part of the claimed design.

See application file for complete search history.

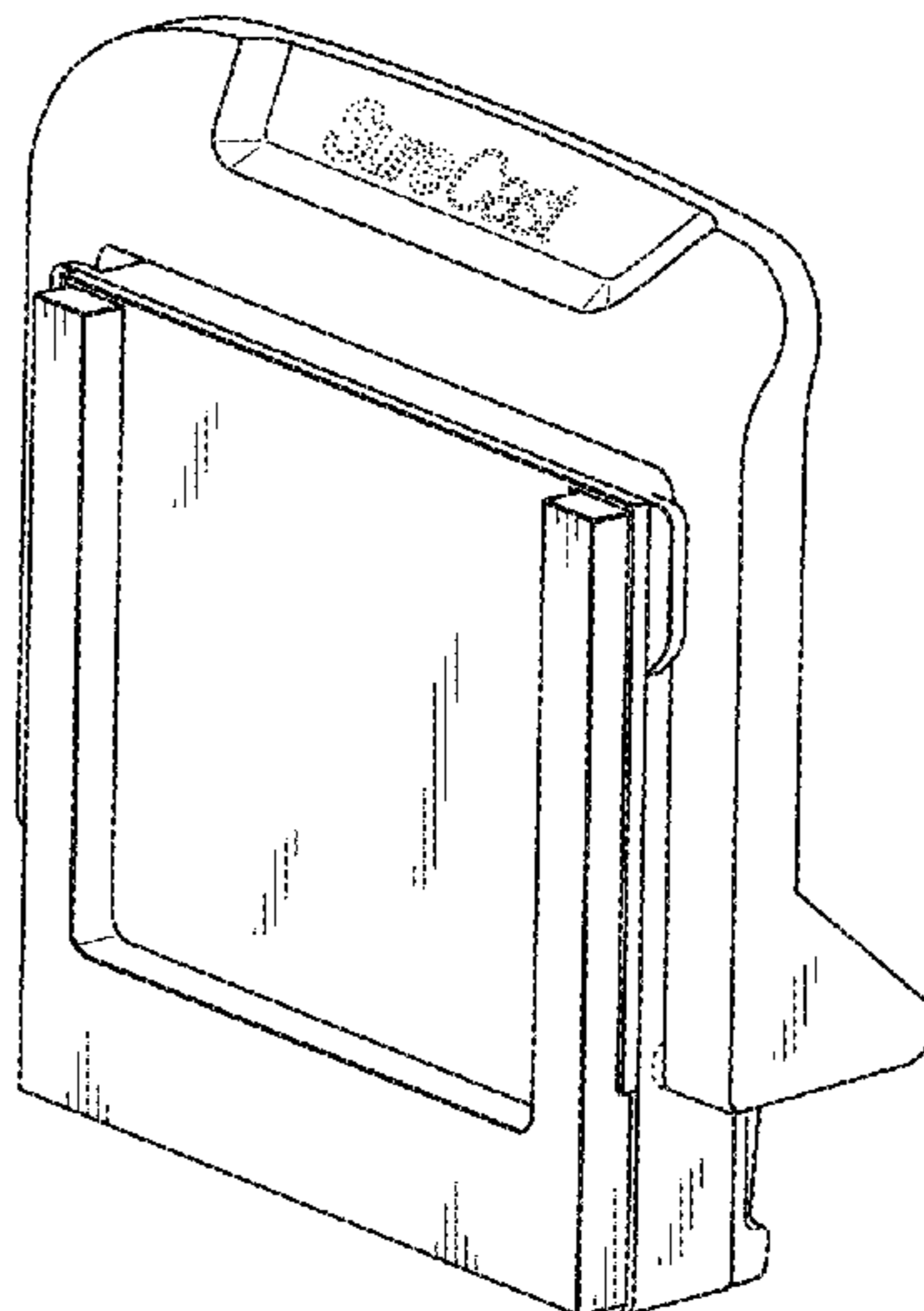
(56) **References Cited**

U.S. PATENT DOCUMENTS

3,888,759	A	6/1975	Elson	
4,294,684	A	10/1981	Serwer	
D269,123	S *	5/1983	Hoefler D24/233
4,560,459	A	12/1985	Hoefler	

(Continued)

1 Claim, 4 Drawing Sheets



(56)

References Cited

U.S. PATENT DOCUMENTS

4,574,040 A *	3/1986	Delony	G01N 27/44756	6,521,111 B1	2/2003	Amshey	
			204/606	D505,729 S	5/2005	Lee	
4,693,804 A	9/1987	Serwer		6,929,732 B2	8/2005	Chen	
4,715,942 A	12/1987	Tezuka		6,932,895 B2	8/2005	Anderson	
4,772,373 A *	9/1988	Ebata	G01N 27/44756	6,936,150 B2 *	8/2005	Rooney	G01N 27/44704
			204/618				204/456
4,773,984 A *	9/1988	Flesher	G01N 27/44704	6,942,775 B1 *	9/2005	Fox	G01N 27/44704
			204/618				204/456
4,795,541 A	1/1989	Hurd		D510,770 S	10/2005	Emerson	
D303,007 S	8/1989	Flesher et al.		D511,386 S	11/2005	Emerson	
4,957,613 A *	9/1990	Schuetzte	G01N 27/44704	6,969,455 B1 *	11/2005	Helfer	G01N 27/44704
			204/618				204/618
4,975,174 A *	12/1990	Bambeck	G01N 27/44704	D524,449 S	7/2006	Emerson	
			204/618	7,135,101 B2	11/2006	Atchison et al.	
5,073,246 A	12/1991	Chu		7,276,143 B2 *	10/2007	Chen	G01N 27/44756
5,116,483 A	5/1992	Lander					204/467
5,192,408 A	3/1993	Scott		7,544,279 B2 *	6/2009	Chen	G01N 27/447
5,228,971 A	7/1993	Brumley et al.					204/616
5,238,651 A	8/1993	Chuba		7,601,251 B2	10/2009	Rooney	
5,284,565 A	2/1994	Chu		7,749,367 B2 *	7/2010	Zhou	G01N 27/44704
5,292,420 A *	3/1994	Nakanura	G01N 27/44773				204/467
			204/613	D654,597 S	2/2012	Hiramura	
5,407,552 A	4/1995	Lebacq		8,361,294 B2	1/2013	Wang	
D367,713 S	3/1996	La Motte		8,398,838 B2 *	3/2013	Chen	G01N 27/44773
5,618,399 A	4/1997	Gautsch					204/450
5,626,735 A *	5/1997	Chu	G01N 27/44704	8,449,745 B2 *	5/2013	Wang	G01N 27/44756
			204/606				204/466
5,632,877 A *	5/1997	Van Atta	G01N 27/44704	8,480,874 B2	7/2013	Henry	
			204/467	D719,277 S	12/2014	Miller	
5,685,967 A	11/1997	Manis		D733,922 S	7/2015	Sjolander	
5,753,095 A	5/1998	Alpenfels		9,234,874 B2	1/2016	Panattoni	
5,773,645 A	6/1998	Hochstrasser		D757,958 S	5/2016	Murray et al.	
5,827,418 A	10/1998	Haven		9,383,335 B2	7/2016	Bjorkesten	
5,843,295 A	12/1998	Steiner		9,400,260 B2 *	7/2016	Suh	G01N 27/44773
5,885,431 A	3/1999	Renfrew et al.		D792,603 S *	7/2017	Bulloch	D24/233
5,888,369 A	3/1999	Tippins		9,714,918 B2	7/2017	Updyke	
5,972,188 A	10/1999	Rice		D794,823 S	8/2017	Nelson	
5,989,403 A	11/1999	Provonchee		D795,449 S	8/2017	Miller	
6,001,233 A *	12/1999	Levy	G01N 27/44704	D806,894 S	1/2018	Nelson	
			204/618	1,010,129 A1	10/2018	Strong et al.	
6,027,628 A	2/2000	Yamamura		2002/0079222 A1	6/2002	Sevigny	
6,110,340 A *	8/2000	Lau	G01N 27/44704	2006/0163067 A1	7/2006	Sevigny	
			204/467	2006/0278533 A1	12/2006	Chen	
6,110,344 A	8/2000	Renfrew		2007/0205108 A1	9/2007	Tzu-Chao et al.	
6,139,709 A	10/2000	Scott		2007/0284250 A1	12/2007	Magnant	
D443,068 S	5/2001	Manusu		2011/0042213 A1	2/2011	Updyke	
6,231,741 B1	5/2001	Tuurenhout		2011/0042217 A1	2/2011	Updyke et al.	
6,379,519 B1	4/2002	Sevigny		2014/0045250 A1	2/2014	Kreifels et al.	
6,436,262 B1 *	8/2002	Perez	G01N 27/44704	2016/0041123 A1	2/2016	Guadagno	
			204/466	2016/0084797 A1	3/2016	Goh et al.	
				2016/0258903 A1	9/2016	Ran et al.	
				2017/0153204 A1	6/2017	Bulloch	

* cited by examiner

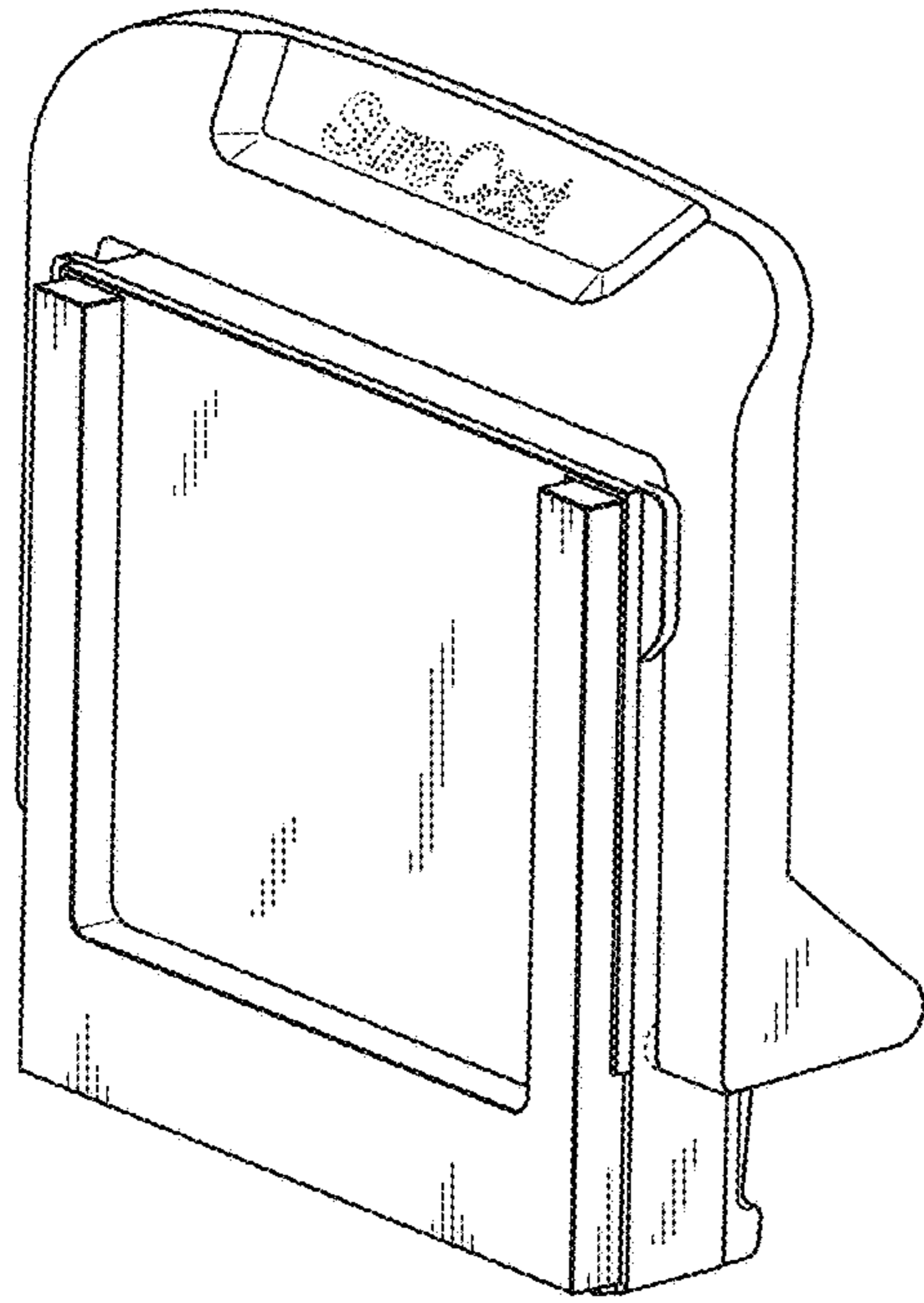


FIG. 1

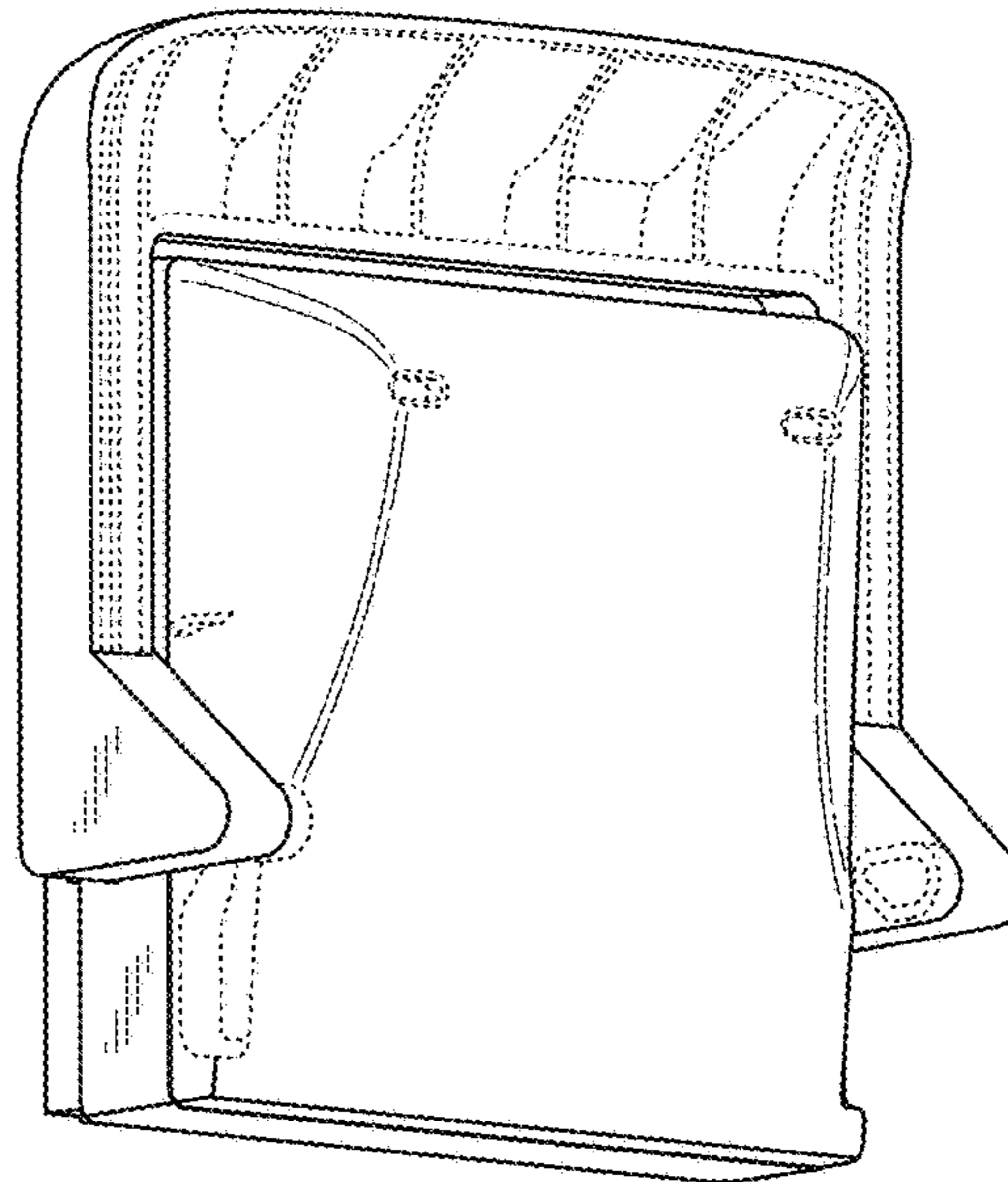


FIG. 2

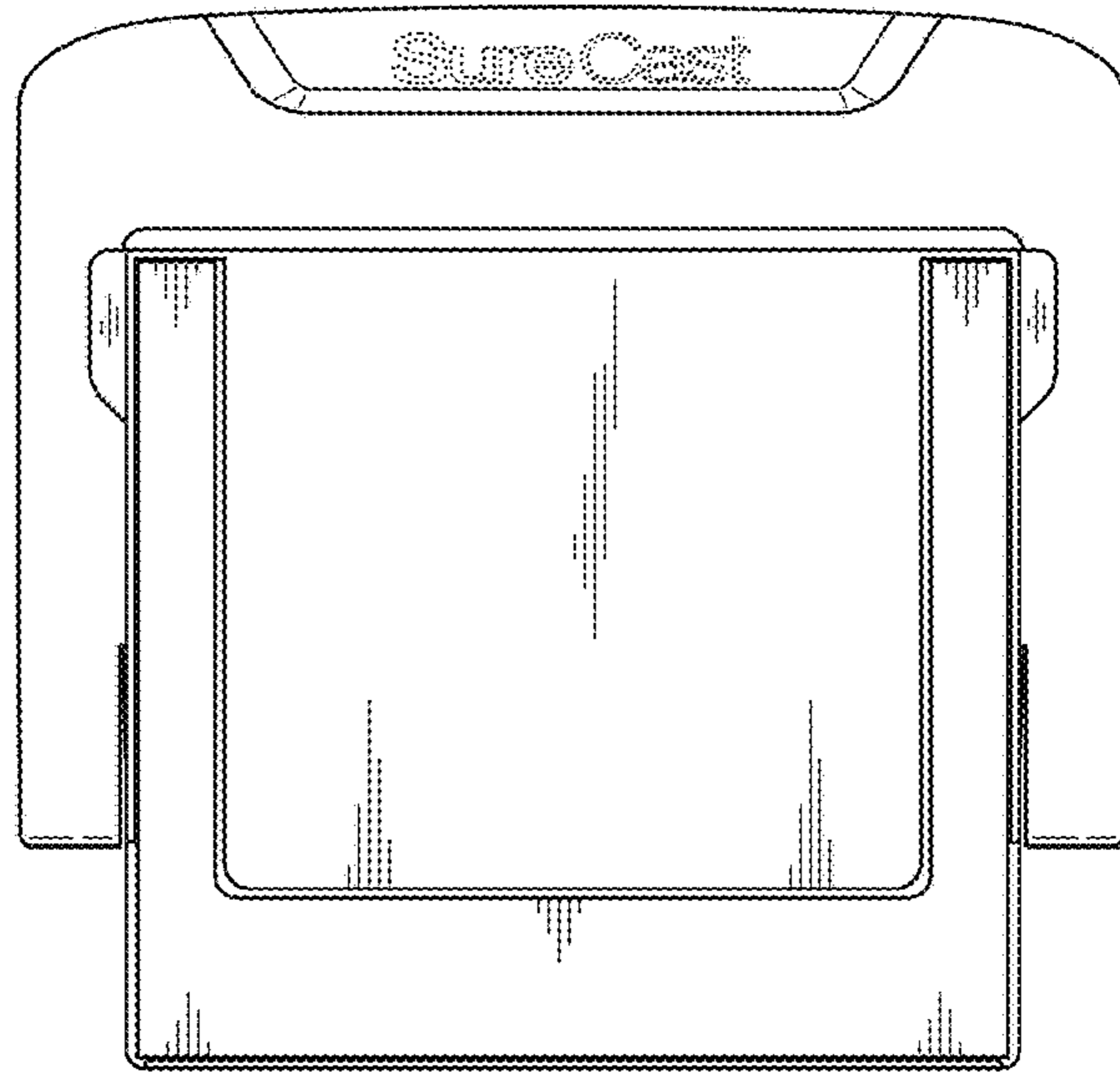


FIG. 3

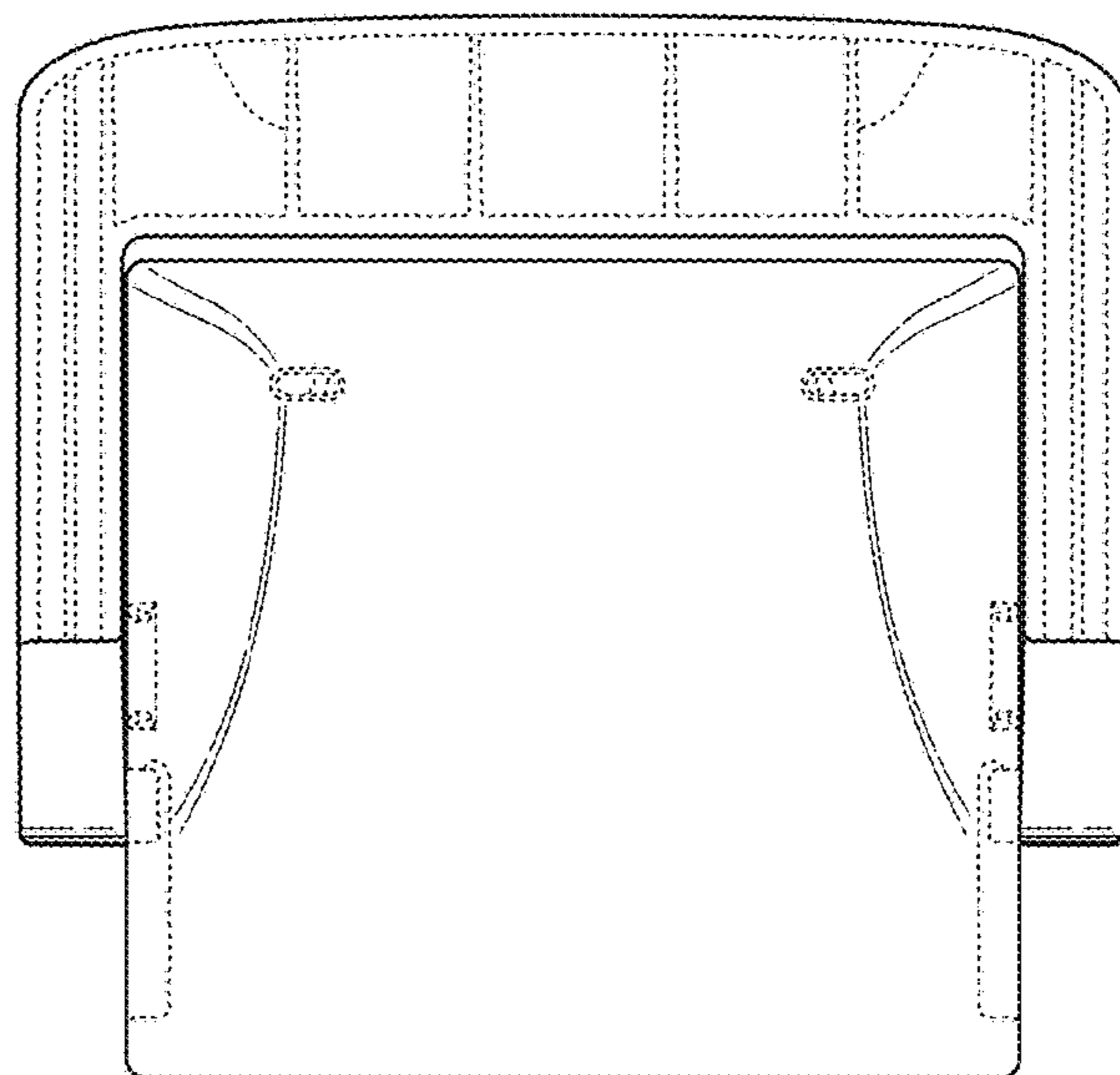


FIG. 4

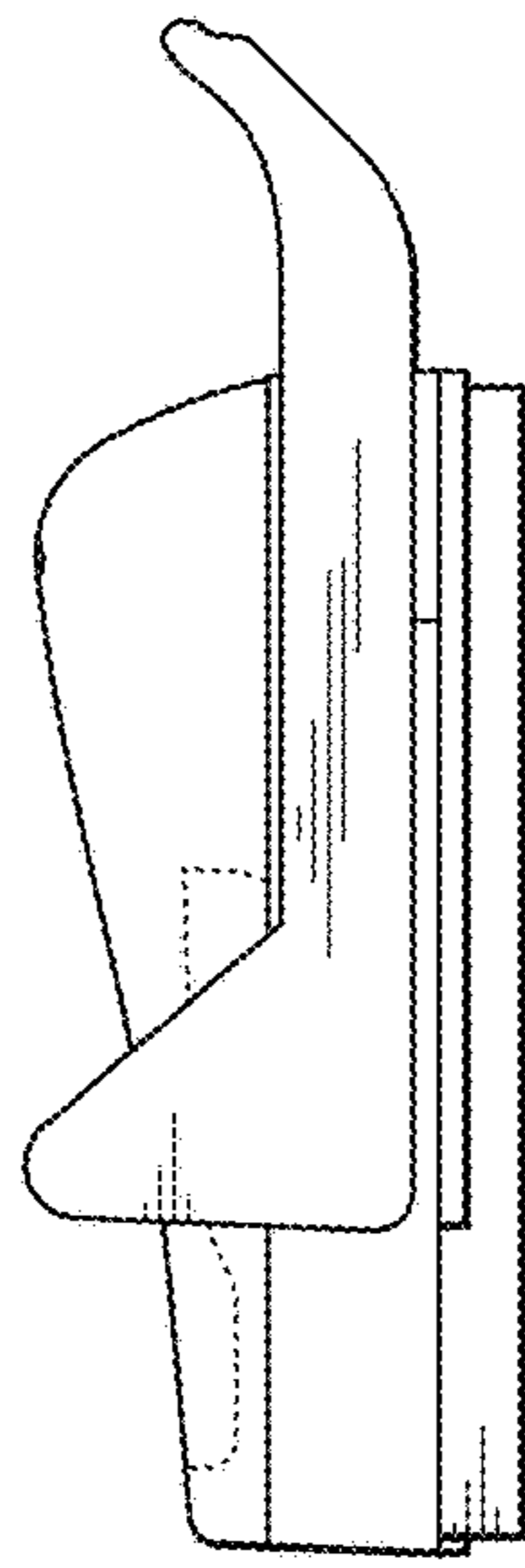


FIG. 5

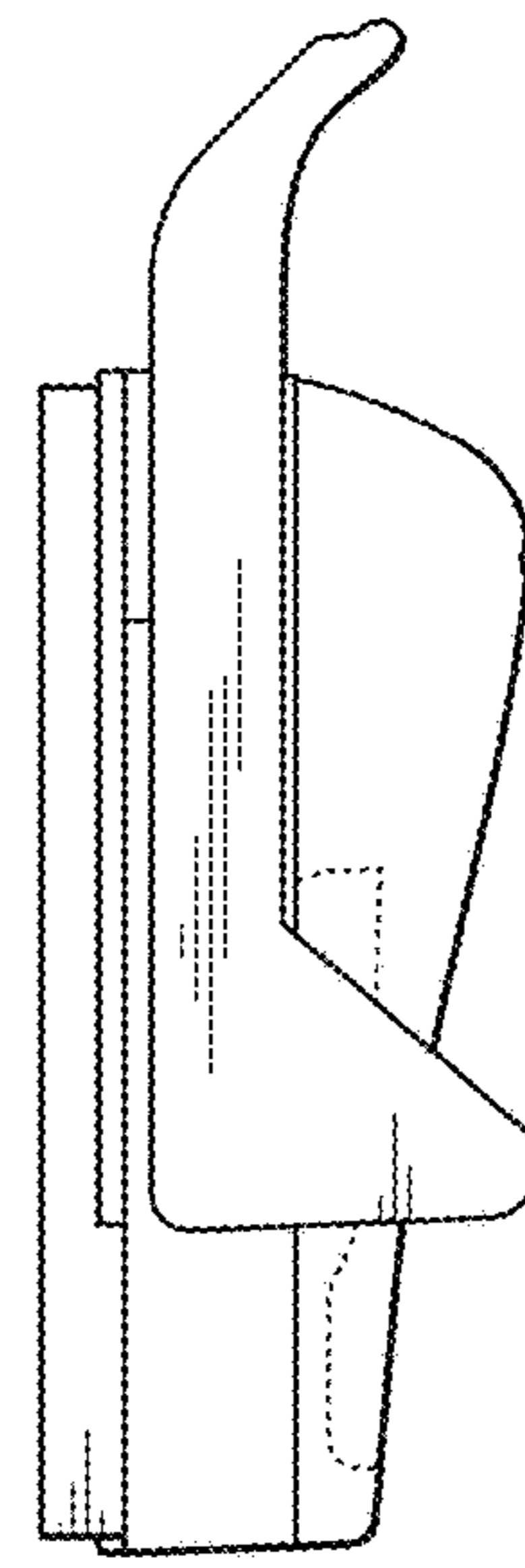


FIG. 6

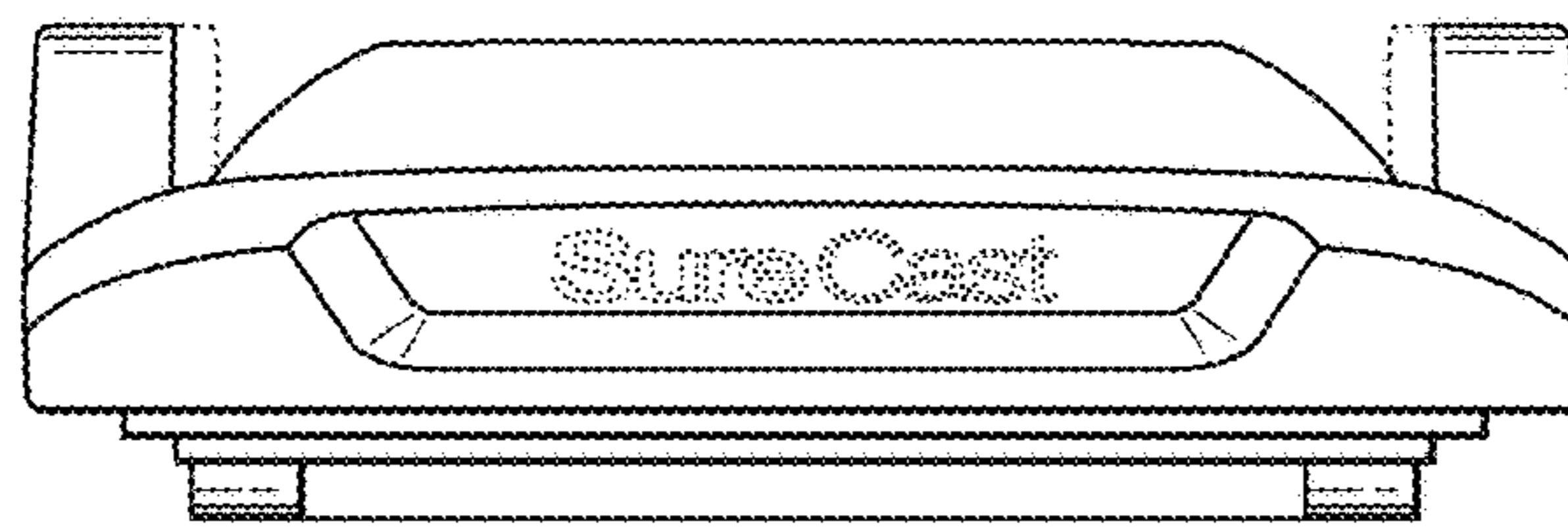


FIG. 7

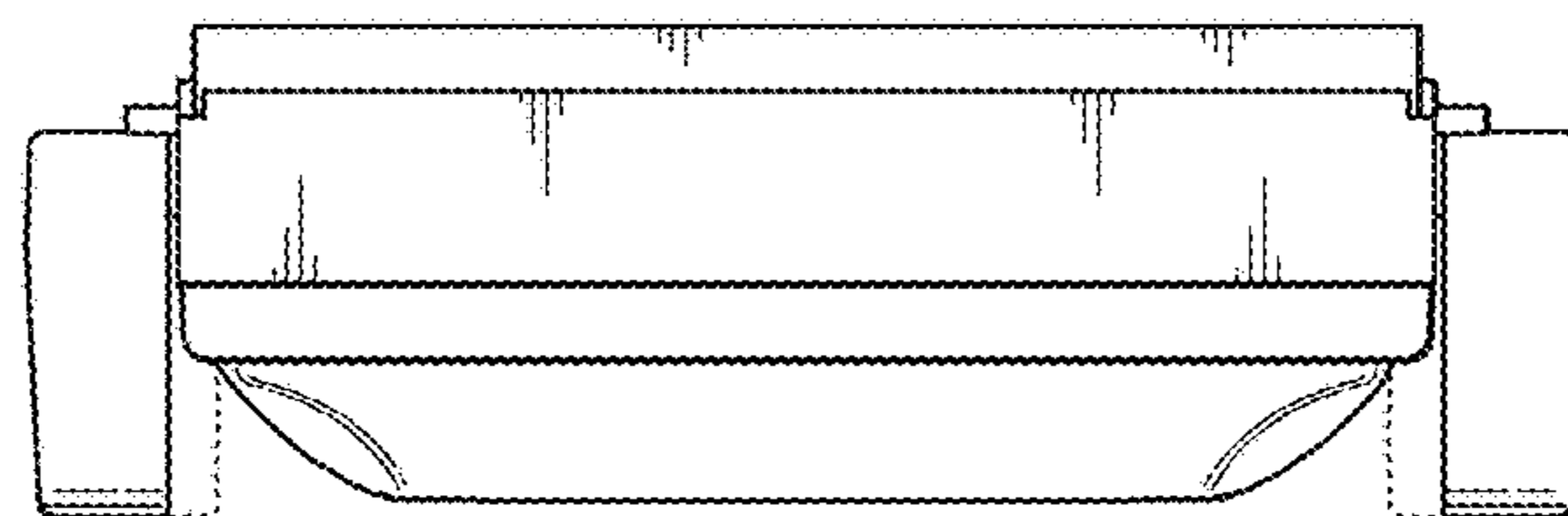


FIG. 8

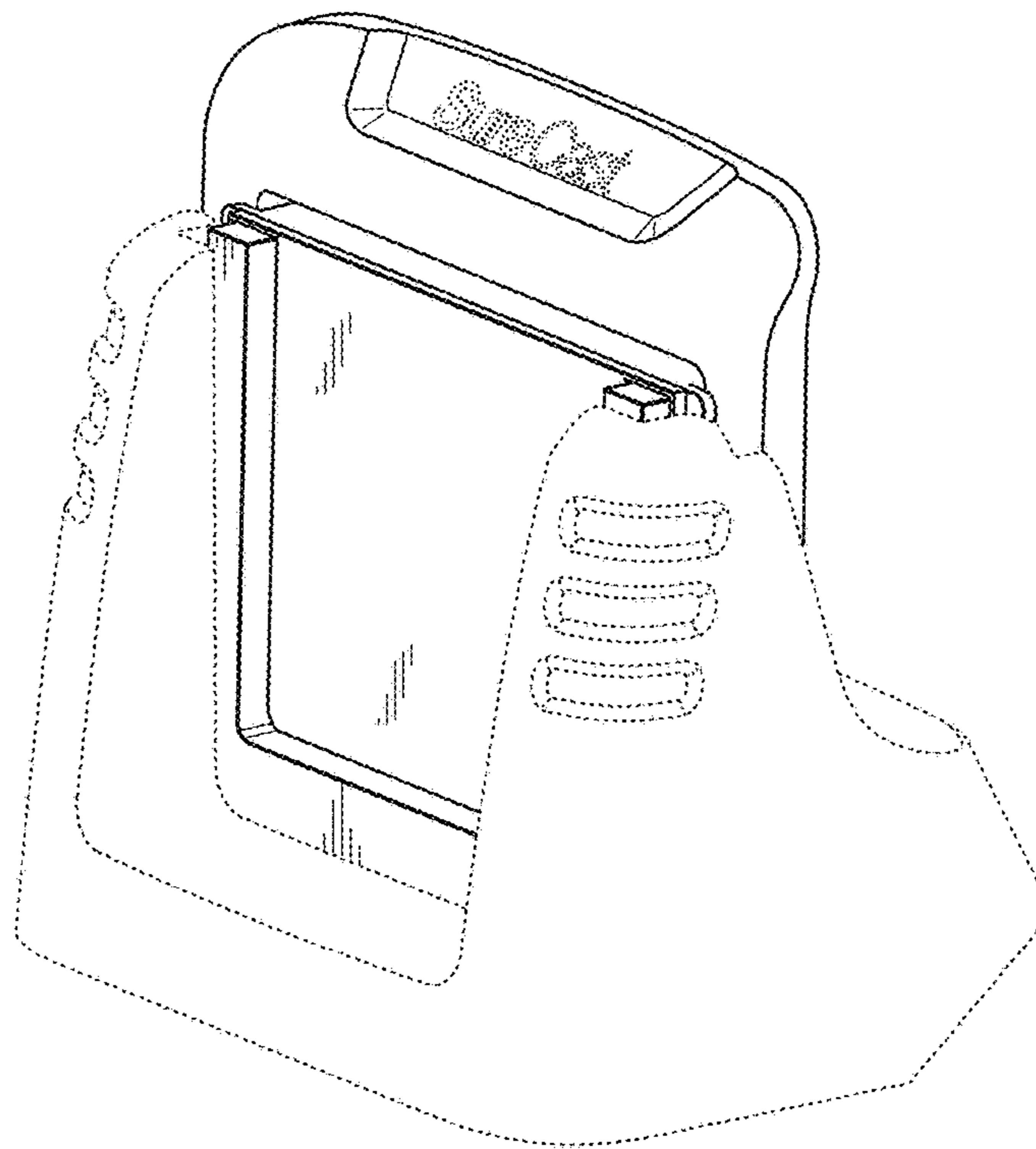


FIG. 9