



US00D856525S

(12) **United States Design Patent**
Dunham

(10) **Patent No.:** **US D856,525 S**

(45) **Date of Patent:** **** Aug. 13, 2019**

(54) **ADULT VIBRATOR**

(71) Applicant: **SUKI LLC**, North Hampton, NH (US)

(72) Inventor: **Brian Dunham**, North Hampton, NH (US)

(73) Assignee: **SUKI LLC**, North Hampton, NH (US)

(**) Term: **15 Years**

(21) Appl. No.: **29/581,642**

(22) Filed: **Oct. 20, 2016**

(51) **LOC (12) Cl.** **28-03**

(52) **U.S. Cl.**
USPC **D24/215**

(58) **Field of Classification Search**
USPC D24/200, 211, 212, 213, 214, 215;
601/19, 22, 40, 46, 52, 63, 99, 110–113,
601/118–120, 125, DIG. 12, DIG. 14,
601/DIG. 15, DIG. 16, DIG. 17;
D21/713; D7/503, 523, 584
CPC A61H 1/00; A61H 2015/0007; A61H
2015/0014; A61H 2015/0042; A61H
15/00; A61H 11/00; A61H 21/00; A61H
37/00

See application file for complete search history.

(56) **References Cited**

U.S. PATENT DOCUMENTS

1,769,872	A	*	7/1930	Weeks	A61H 7/003
						215/384
D157,605	S	*	3/1950	Krouse	38/88
D300,853	S	*	4/1989	Smal	D24/211
D345,424	S	*	3/1994	Gudeein	D24/211
D345,801	S	*	4/1994	Bosch	D24/200
D423,677	S	*	4/2000	Sivan	D24/215
D456,522	S	*	4/2002	Elkerbout	D24/214
D499,491	S	*	12/2004	Kent	D24/209
D500,141	S	*	12/2004	Kent	D24/209
D505,728	S	*	5/2005	Kent	D24/209
D506,009	S	*	6/2005	Kent	D24/209

D508,131	S	*	8/2005	Kent	D24/209
D509,592	S	*	9/2005	Talbot	D24/214
D530,019	S	*	10/2006	Crunick	D24/211
D530,429	S	*	10/2006	Sevier	D24/214

(Continued)

Primary Examiner — Sandra S Snapp

(74) *Attorney, Agent, or Firm* — K&L Gates LLP

(57) **CLAIM**

The ornamental design for an adult vibrator, as shown and described.

DESCRIPTION

FIG. 1 is a front elevation view of an adult vibrator, according to a first embodiment.

FIG. 2 is a side elevation view of an adult vibrator, according to the first embodiment.

FIG. 3 is a top plan view of an adult vibrator, according to the first embodiment.

FIG. 4 is a rear elevation view of an adult vibrator, according to the first embodiment.

FIG. 5 is a front elevation view of an adult vibrator, according to a second embodiment.

FIG. 6 is a side elevation view of an adult vibrator, according to the second embodiment.

FIG. 7 is a top plan view of an adult vibrator, according to the second embodiment.

FIG. 8 is a rear elevation view of an adult vibrator, according to the second embodiment.

FIG. 9 is a front elevation view of an adult vibrator, according to a third embodiment.

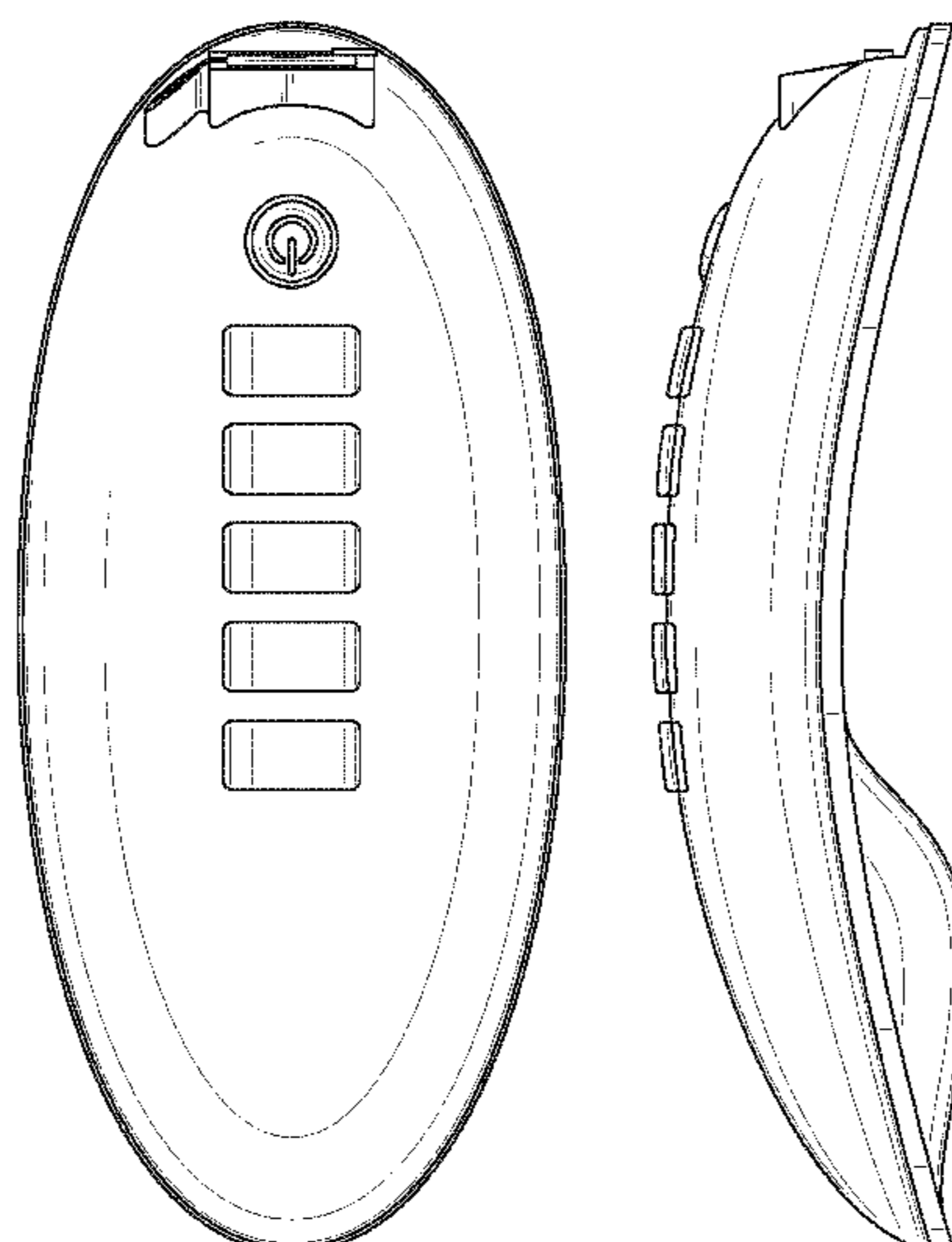
FIG. 10 is a side elevation view of the adult vibrator, according to the third embodiment.

FIG. 11 is a top plan view of the adult vibrator, according to the third embodiment; and,

FIG. 12 is a rear elevation view of the adult vibrator, according to the third embodiment.

The broken lines in the drawings illustrate portions of the adult vibrator and form no part of the claimed design.

1 Claim, 12 Drawing Sheets



(56)

References Cited

U.S. PATENT DOCUMENTS

D546,958	S *	7/2007	Kim	D24/214
D560,810	S *	1/2008	Hennessy	D24/214
D586,469	S *	2/2009	Henry	D24/200
D597,211	S *	7/2009	Ewing	D24/187
D626,656	S *	11/2010	Jarry	D24/215
D627,080	S *	11/2010	Fuster	D24/215
D637,304	S *	5/2011	Feuerabend	D24/215
D637,305	S *	5/2011	Feuerabend	D24/215
D649,258	S *	11/2011	Lev-Ran	D24/215
D650,086	S *	12/2011	Fuster	D24/215
D657,885	S *	4/2012	Imboden	D24/215
D665,093	S *	8/2012	Sedic	D24/215
D674,108	S *	1/2013	York	D24/215
D687,157	S *	7/2013	Matsuura	D24/215
D687,560	S *	8/2013	Matsuura	D24/215
D687,957	S *	8/2013	Heskier	D24/215
D696,415	S *	12/2013	Wang	D24/215
8,715,210	B2 *	5/2014	Orlando	A61H 7/003 219/201
D711,010	S *	8/2014	Dematio	A61H 23/00 D24/215
2005/0192519	A1 *	9/2005	Crunick	A61H 23/0263 601/72

* cited by examiner

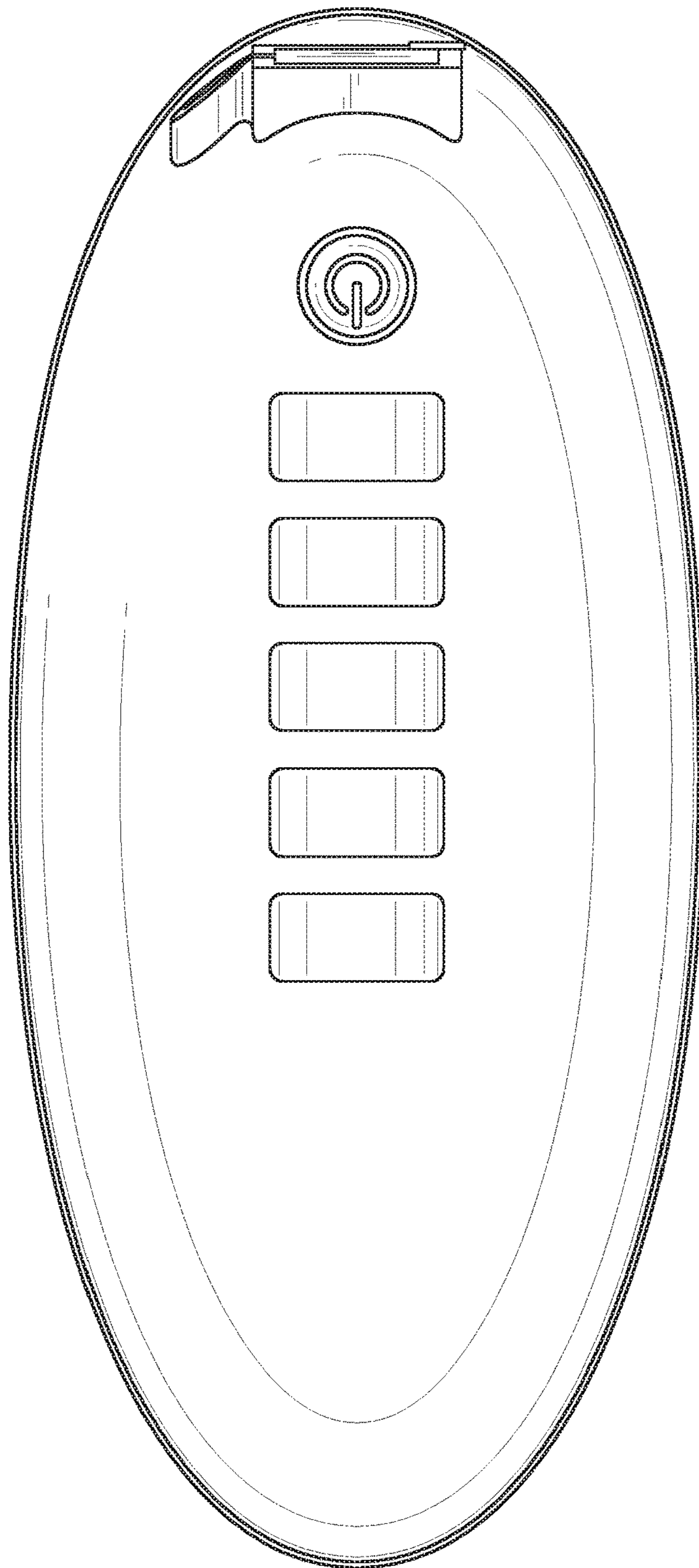


FIG. 1

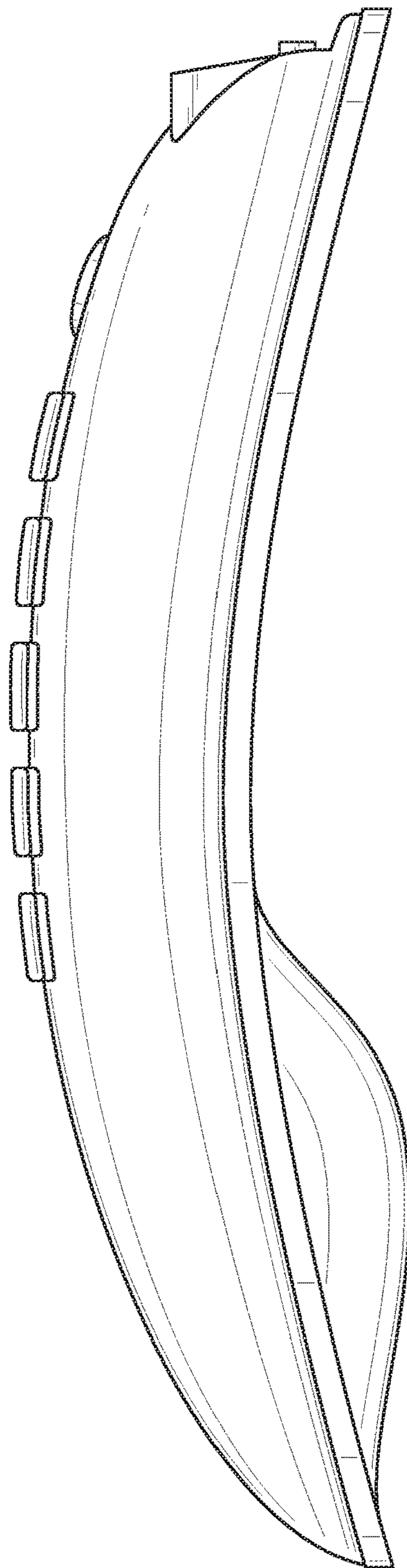


FIG. 2

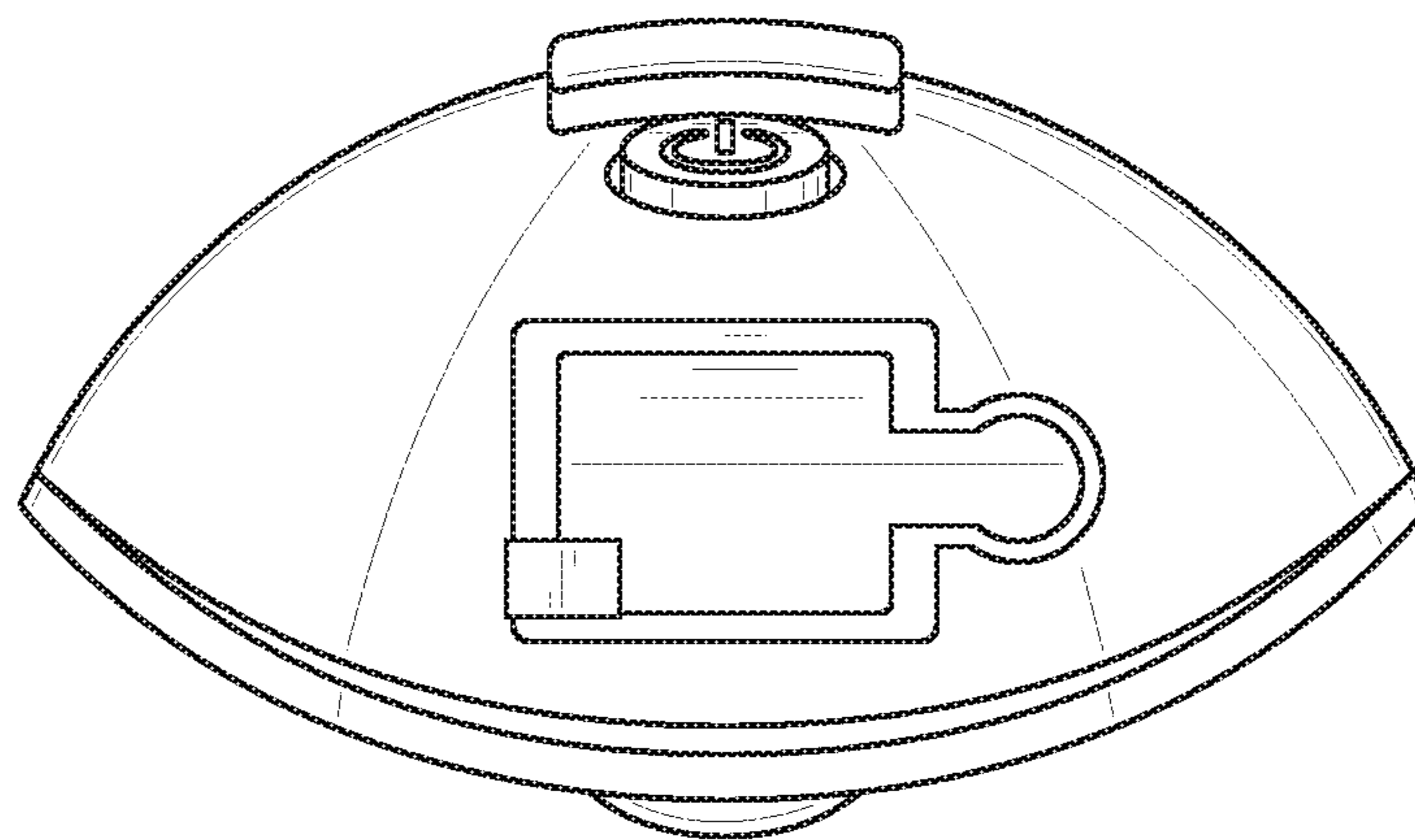


FIG. 3

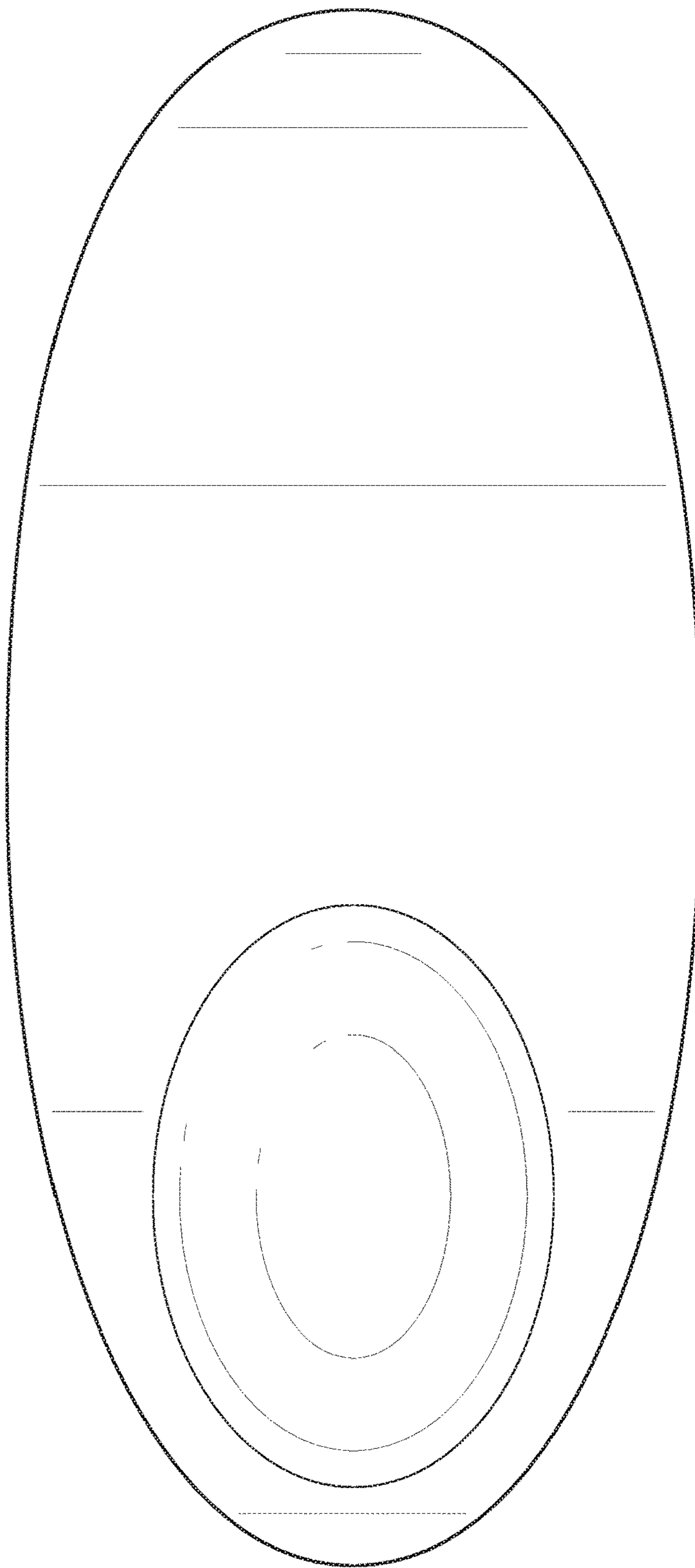


FIG. 4

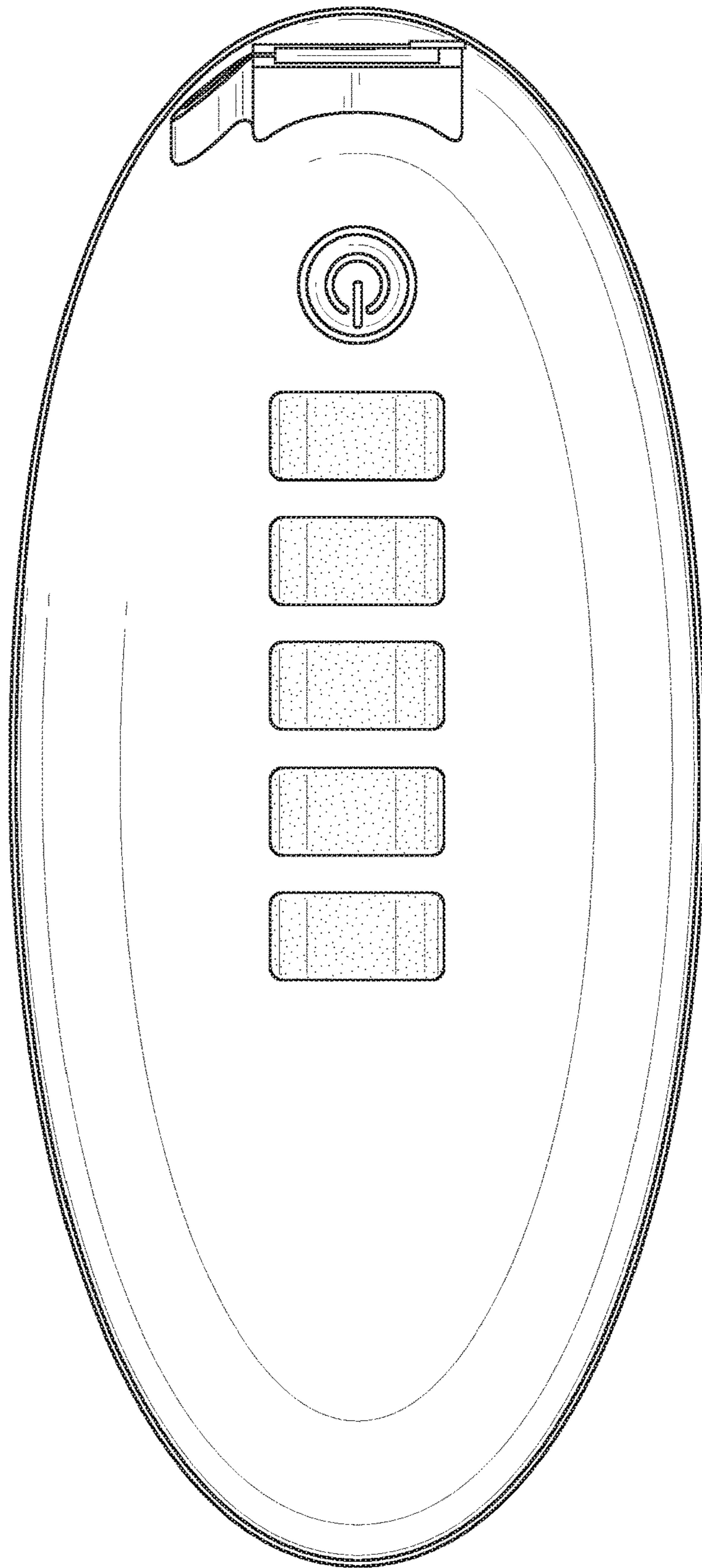


FIG. 5

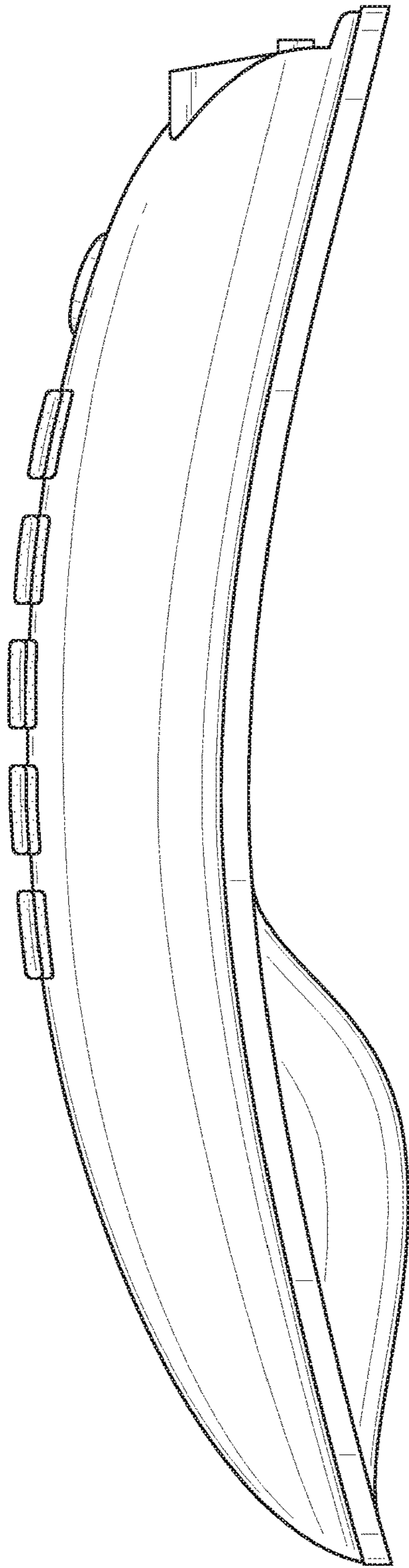


FIG. 6

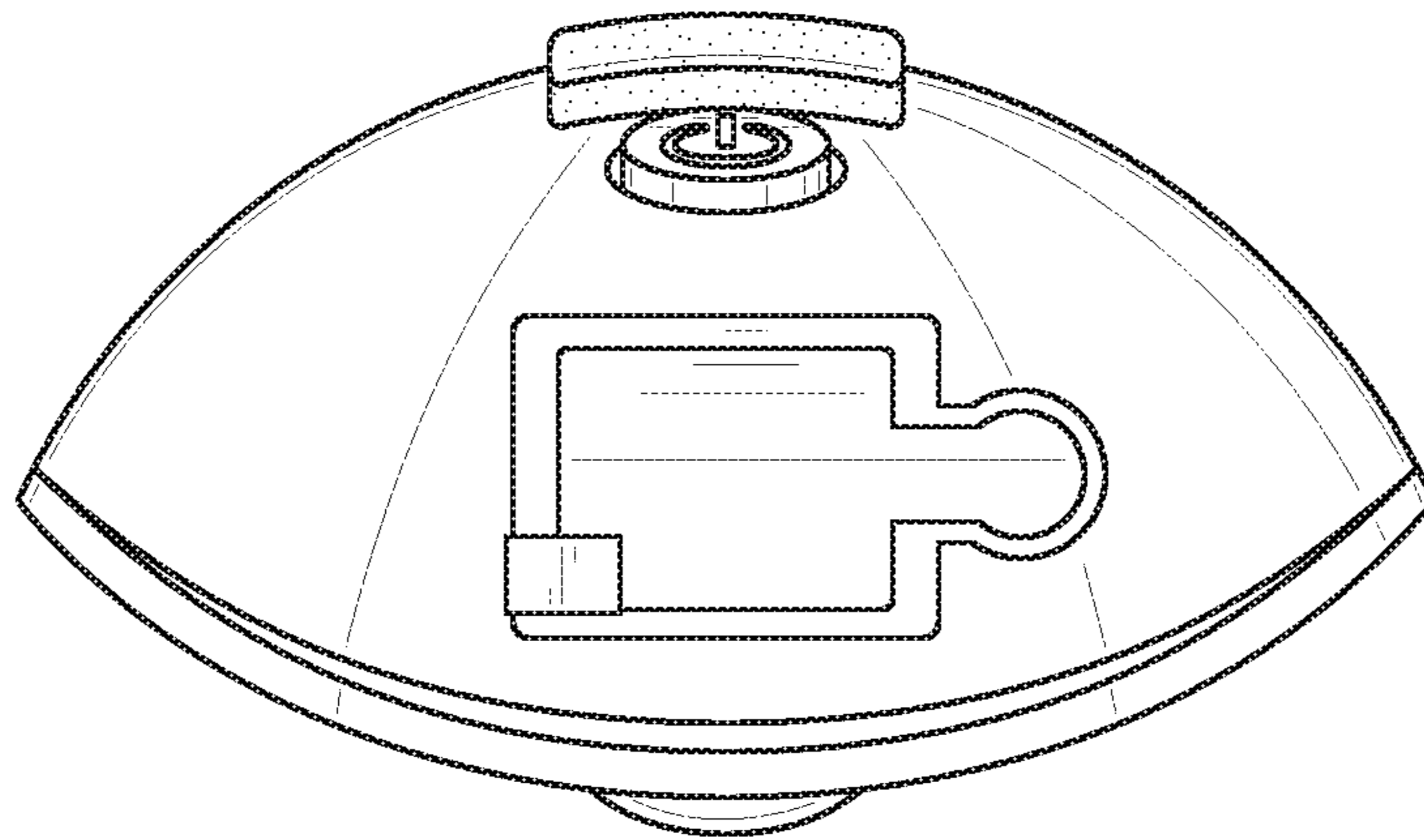


FIG. 7

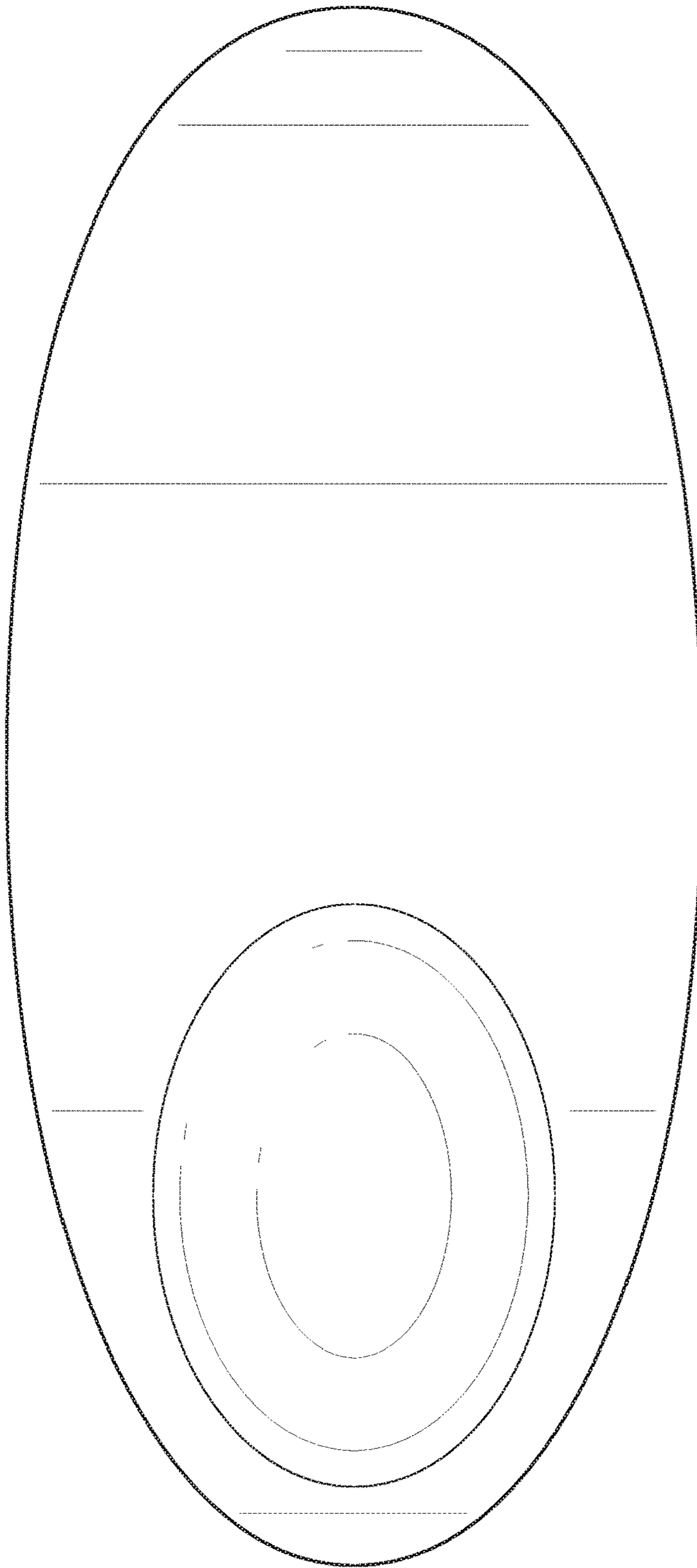


FIG. 8

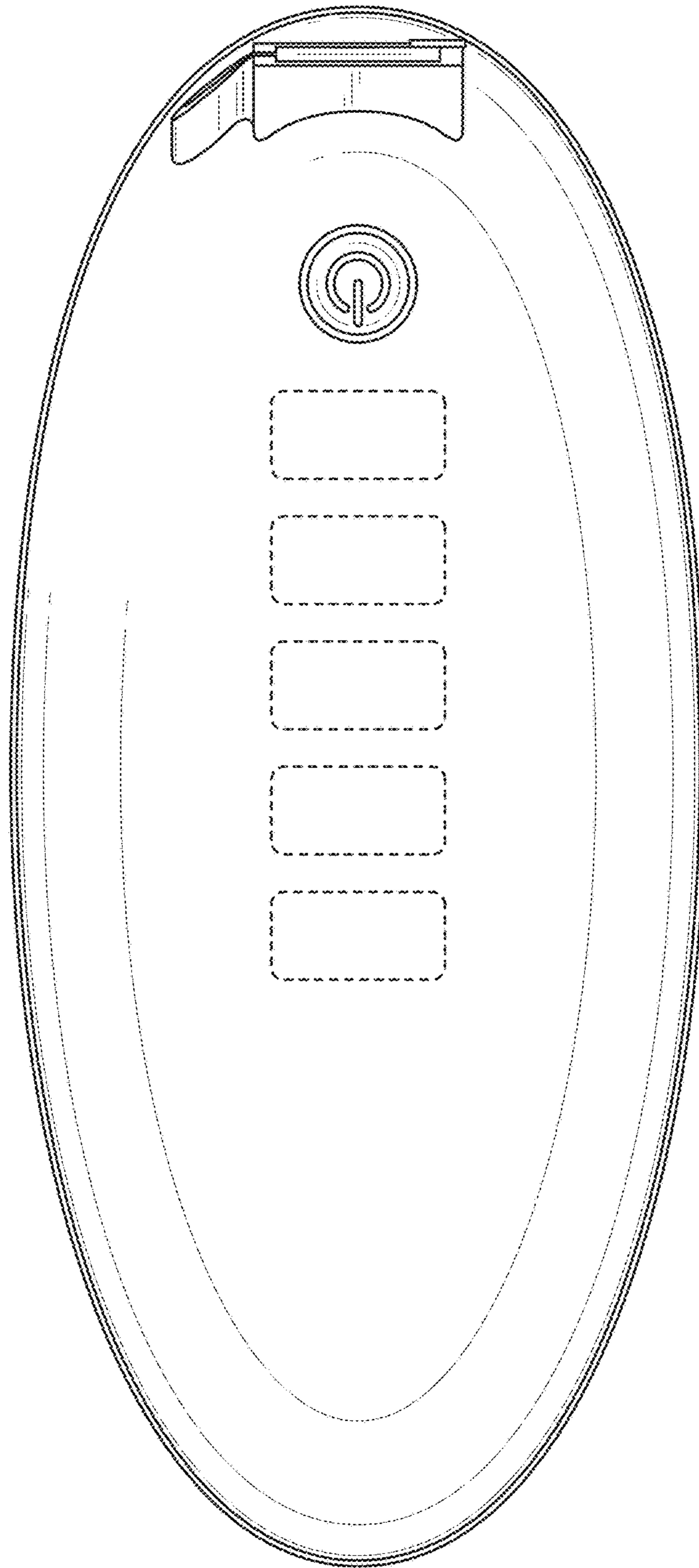


FIG. 9

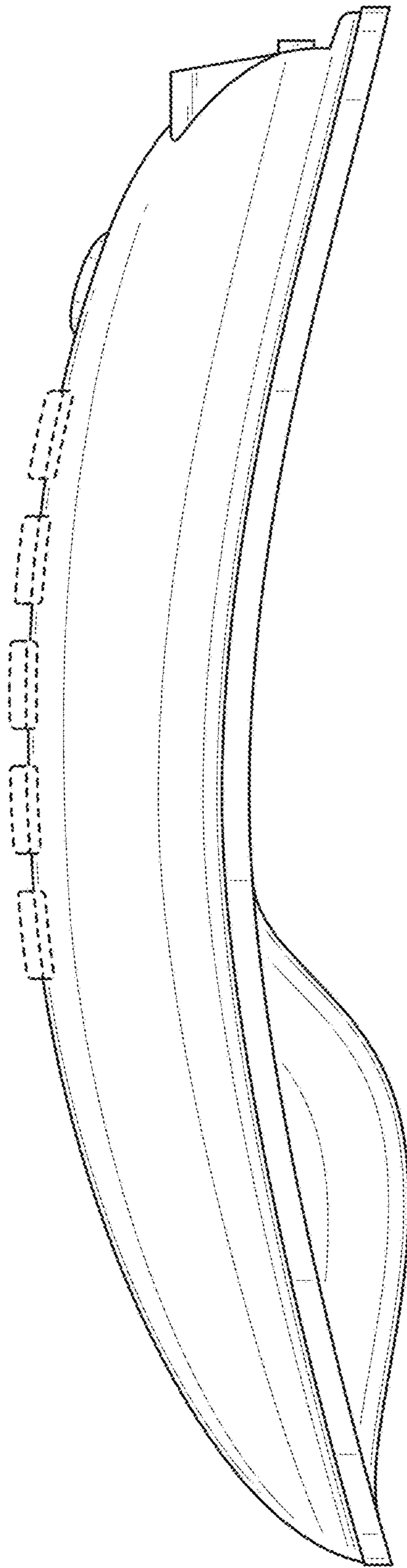


FIG. 10

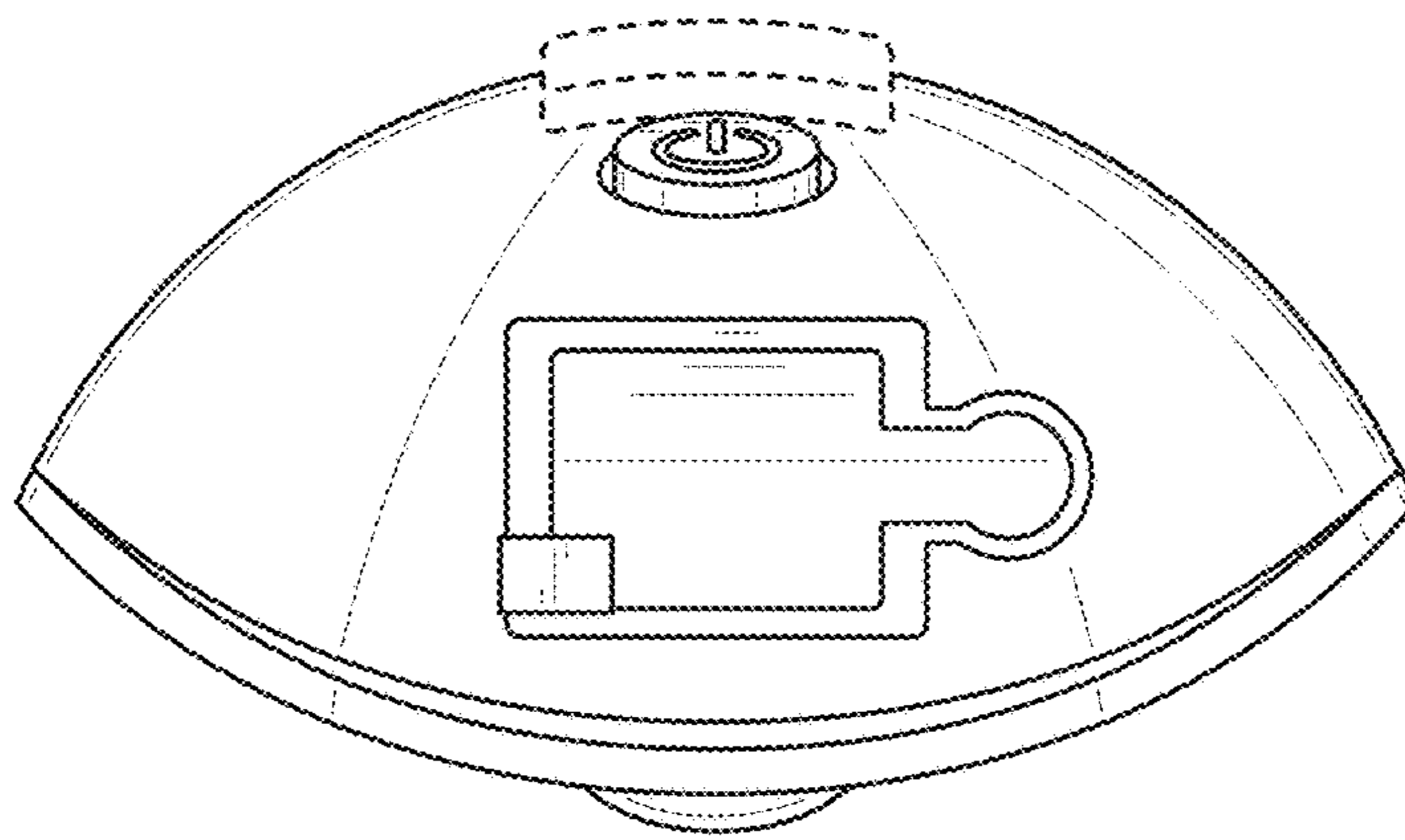


FIG. 11

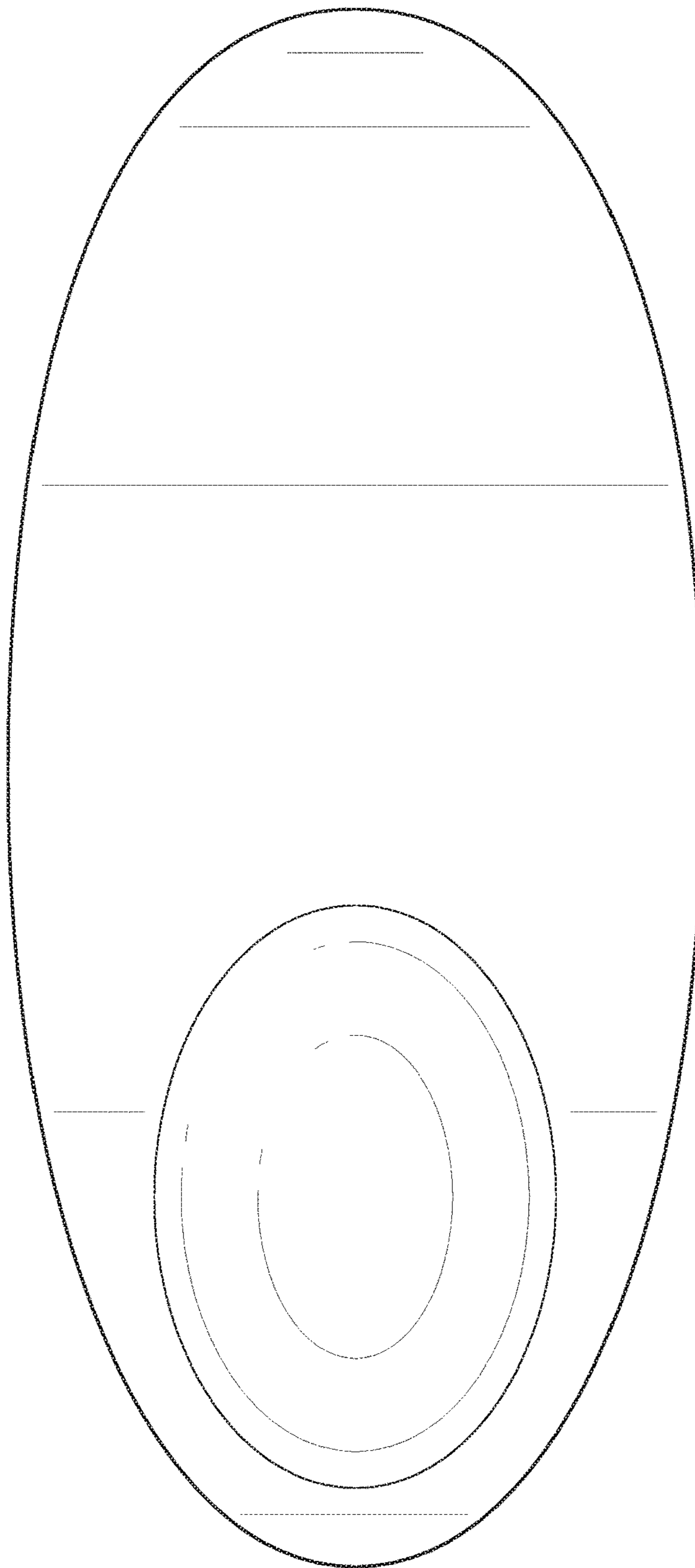


FIG. 12