



US00D856523S

(12) **United States Design Patent** (10) **Patent No.:** **US D856,523 S**  
**Green et al.** (45) **Date of Patent:** **\*\* Aug. 13, 2019**

(54) **EAR-MOUNTABLE BIO-SENSOR DEVICE**

D778,450 S \* 2/2017 Min ..... D24/186

D796,490 S \* 9/2017 Lian ..... D14/223

D814,443 S \* 4/2018 Sandanger ..... H04R 1/1016

D14/223

2013/0060155 A1\* 3/2013 Chen ..... A61B 5/026

600/504

(71) Applicant: **Inova Design Solutions Ltd**, London, England (GB)

(72) Inventors: **Steven Green**, Abingdon (GB); **Leon Marrsh**, London (GB); **Emily McLoughlin**, West Sussex (GB)

(Continued)

*Primary Examiner* — Anhdao Doan

(74) *Attorney, Agent, or Firm* — Banner & Witcoff, Ltd.

(73) Assignee: **Inova Design Solutions, Ltd**, London (GB)

(57) **CLAIM**

(\*\*) Term: **15 Years**

The ornamental design for an ear-mountable bio-sensor device, as shown and described.

(21) Appl. No.: **29/595,867**

**DESCRIPTION**

(22) Filed: **Mar. 2, 2017**

(30) **Foreign Application Priority Data**

Jan. 6, 2017 (EM) ..... 003598002

(51) **LOC (12) Cl.** ..... **24-02**

(52) **U.S. Cl.**

USPC ..... **D24/186**; D24/174

(58) **Field of Classification Search**

USPC ..... D24/173–175, 186, 187; D14/205, D14/223–226, 249, 188

CPC .. H04R 2225/025; H04R 25/60; H04R 25/63; H04R 25/67; H04R 25/602; H04R 25/604; H04R 25/608; H04R 25/65; H04R 25/652; A61B 5/6815; A61B 5/6816; A61B 5/6817

See application file for complete search history.

FIG. 1 is a rear perspective view of an ear-mountable bio-sensor device showing a first embodiment of our new design;

FIG. 2 is a front perspective view thereof;

FIG. 3 is a side view thereof;

FIG. 4 is a another side view thereof;

FIG. 5 is a rear view thereof;

FIG. 6 is a front view thereof;

FIG. 7 is a top view thereof;

FIG. 8 is a bottom view thereof;

FIG. 9 is a rear perspective view of an ear-mountable bio-sensor showing a second embodiment of our new design;

FIG. 10 is a front perspective view thereof;

FIG. 11 is a side view thereof;

FIG. 12 is another side view thereof;

FIG. 13 is a rear view thereof;

FIG. 14 is a front view thereof;

FIG. 15 is a top view thereof; and,

FIG. 16 is a bottom view thereof.

The over-the-ear clip of the ear-mountable bio-sensor device shown in broken lines in FIGS. 1-8 or grayed out in FIGS. 9-16 represent an environmental subject matter that forms no part of the claimed design.

(56) **References Cited**

**U.S. PATENT DOCUMENTS**

D632,794 S \* 2/2011 Wai ..... D24/174

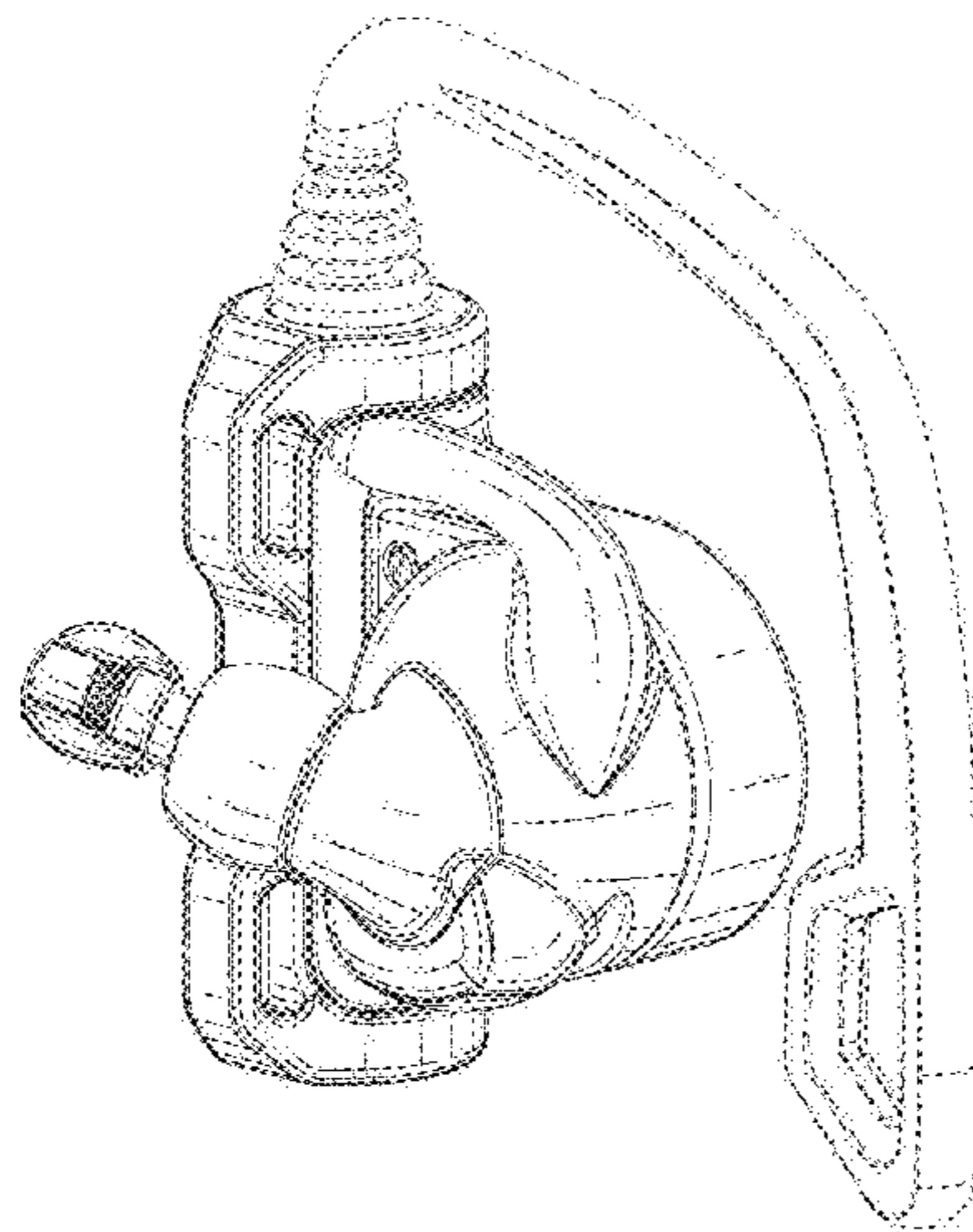
D692,142 S \* 10/2013 Hughes ..... D24/167

D717,443 S \* 11/2014 Hughes ..... D24/167

8,942,776 B2 \* 1/2015 LeBoeuf ..... A61B 5/0077

600/310

**1 Claim, 16 Drawing Sheets**



(56)

**References Cited**

U.S. PATENT DOCUMENTS

2014/0213864 A1\* 7/2014 Abdul-Hafiz ..... A61B 5/1452  
600/325  
2014/0275888 A1\* 9/2014 Wegerich ..... A61B 5/6831  
600/324  
2017/0000359 A1\* 1/2017 Kohli ..... A61B 5/02055  
2018/0235540 A1\* 8/2018 Kirszenblat ..... A61B 5/6803

\* cited by examiner

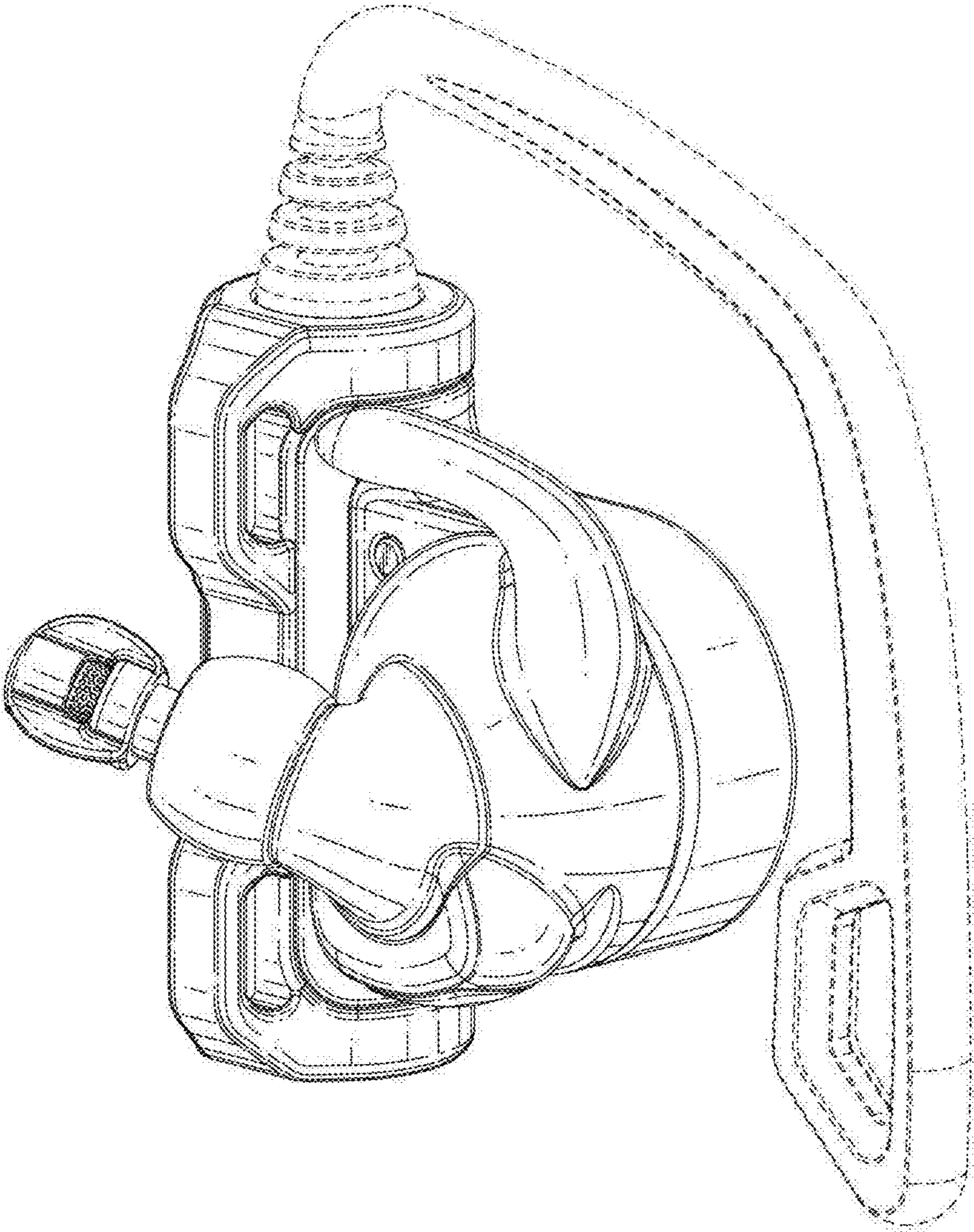


FIG. 1



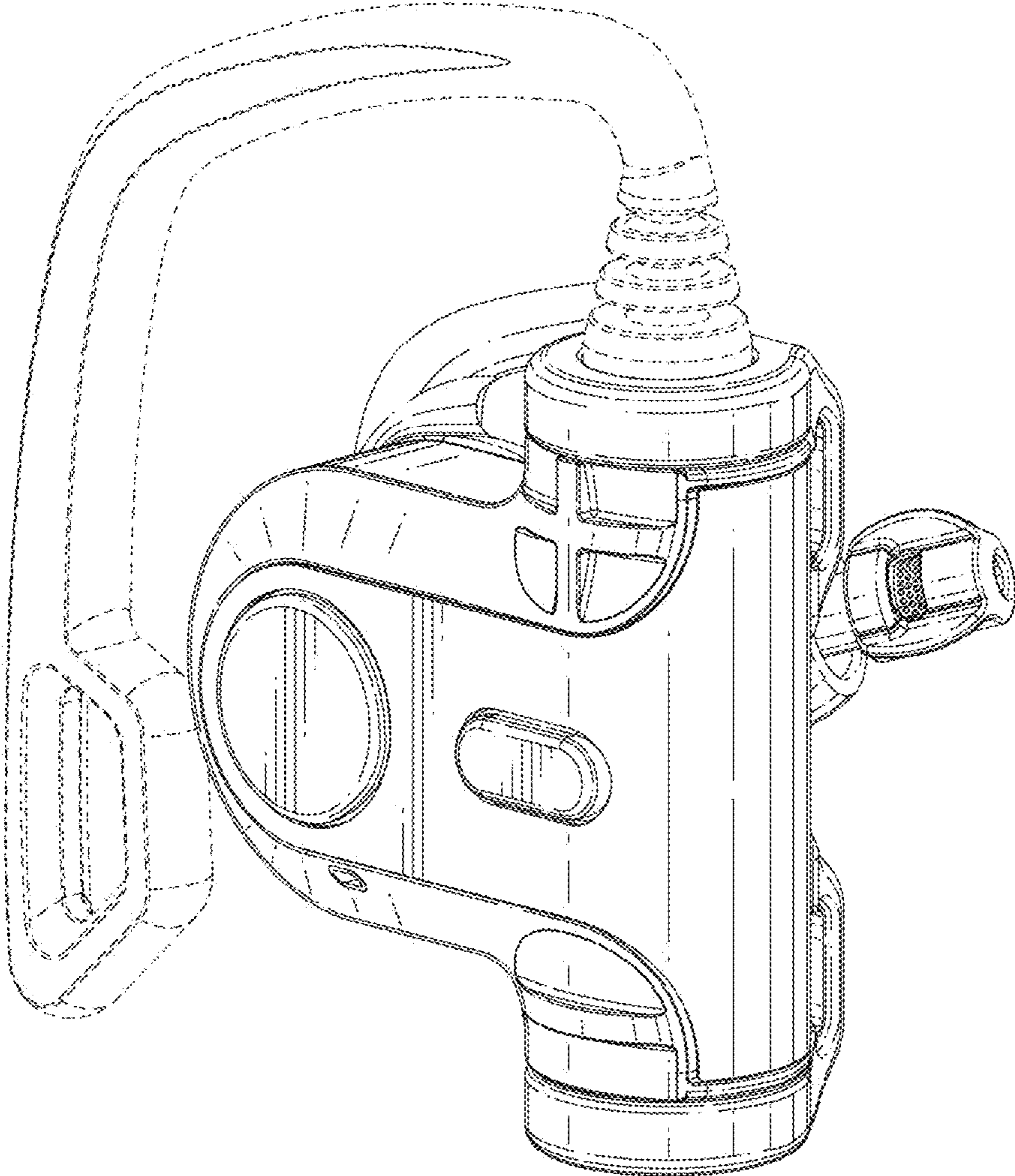


FIG. 2

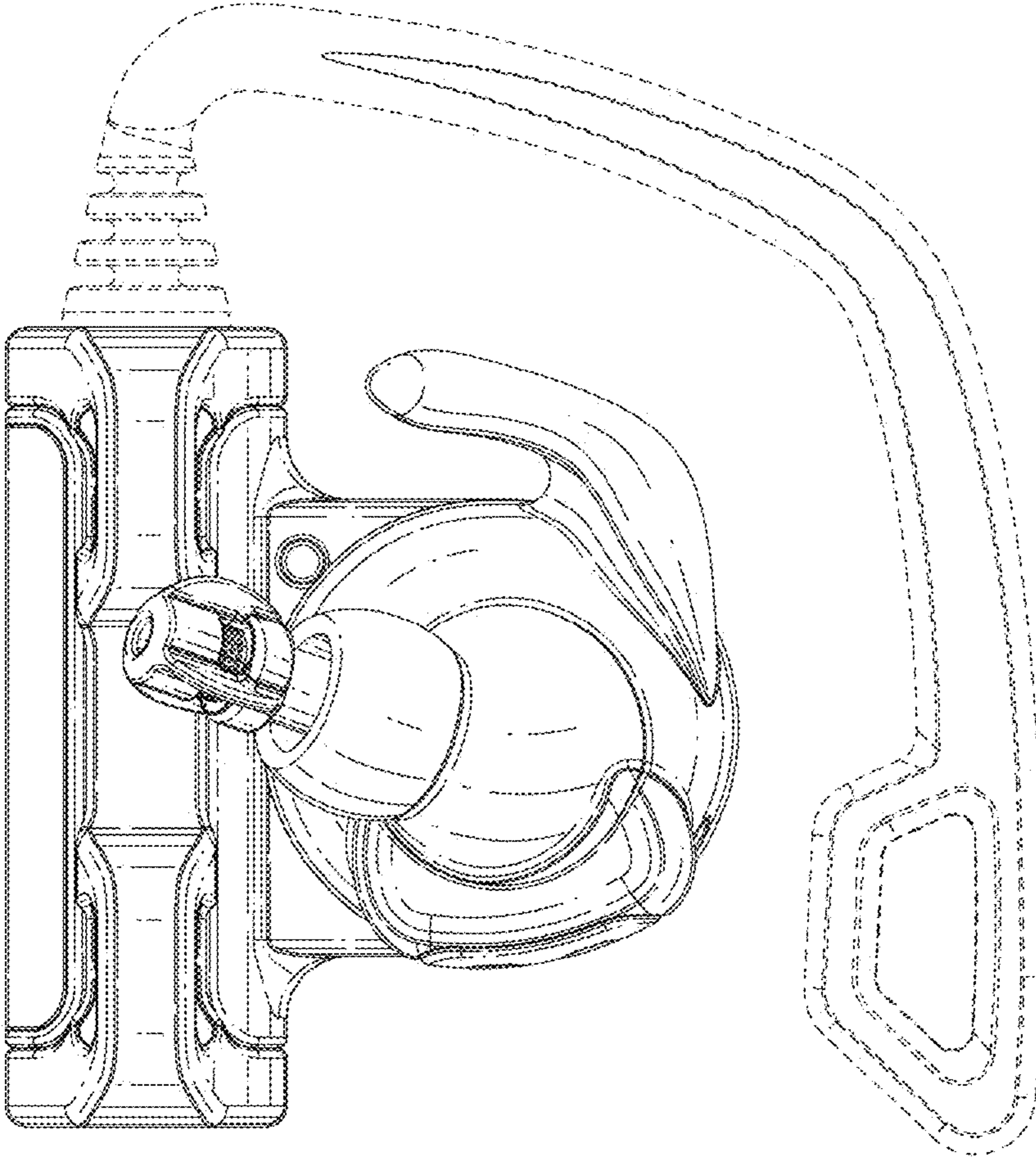


FIG. 3

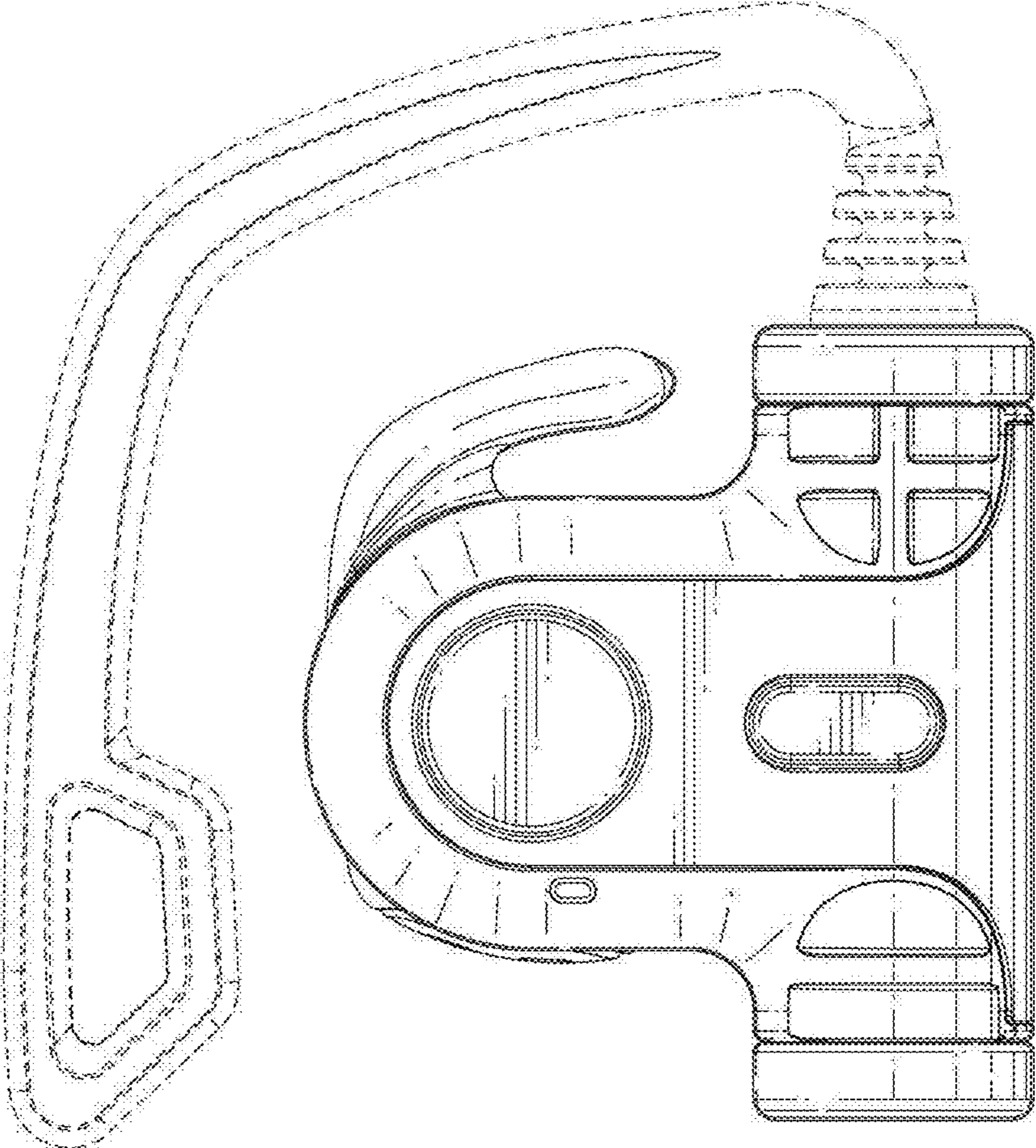


FIG. 4

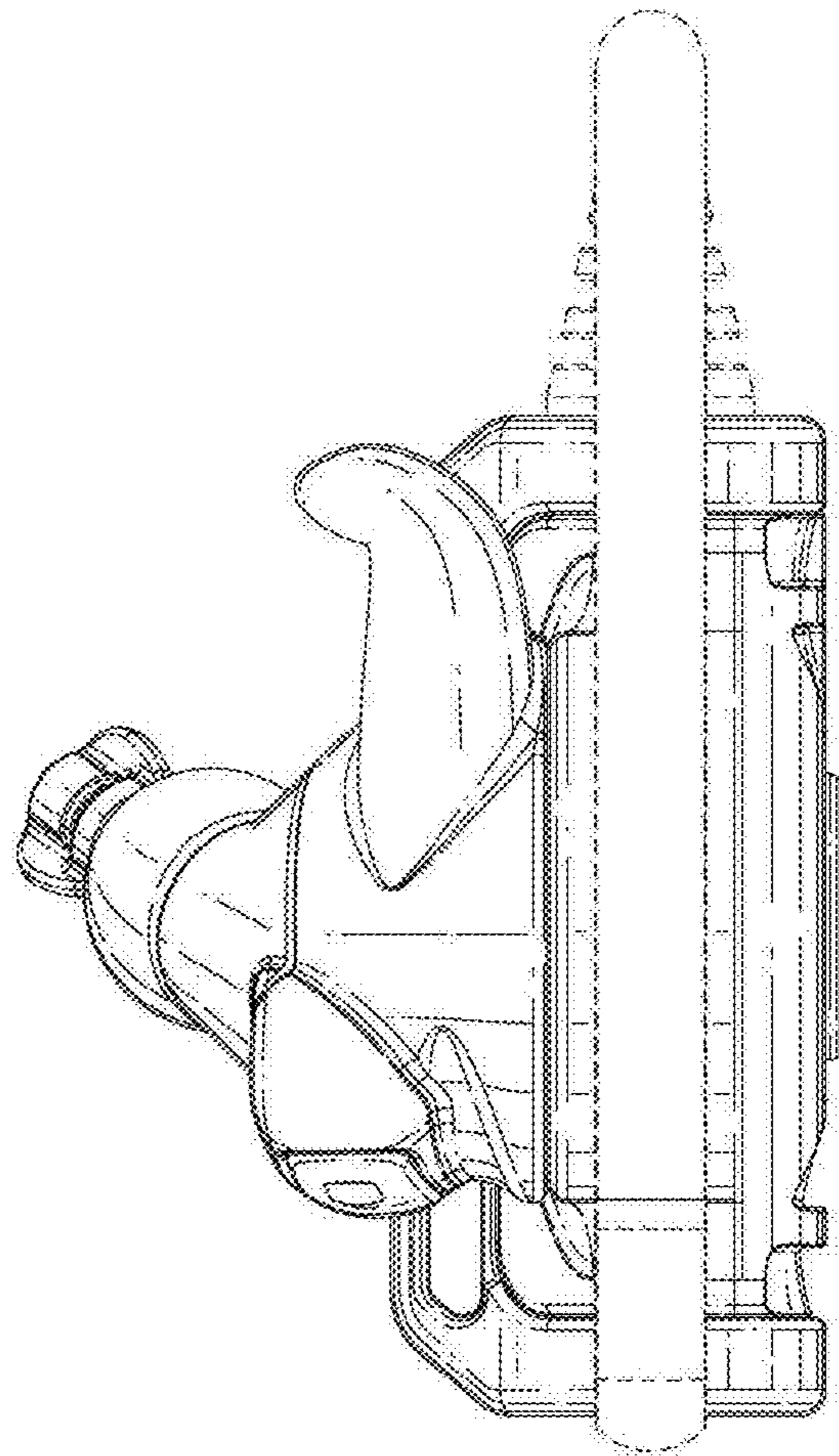


FIG. 5



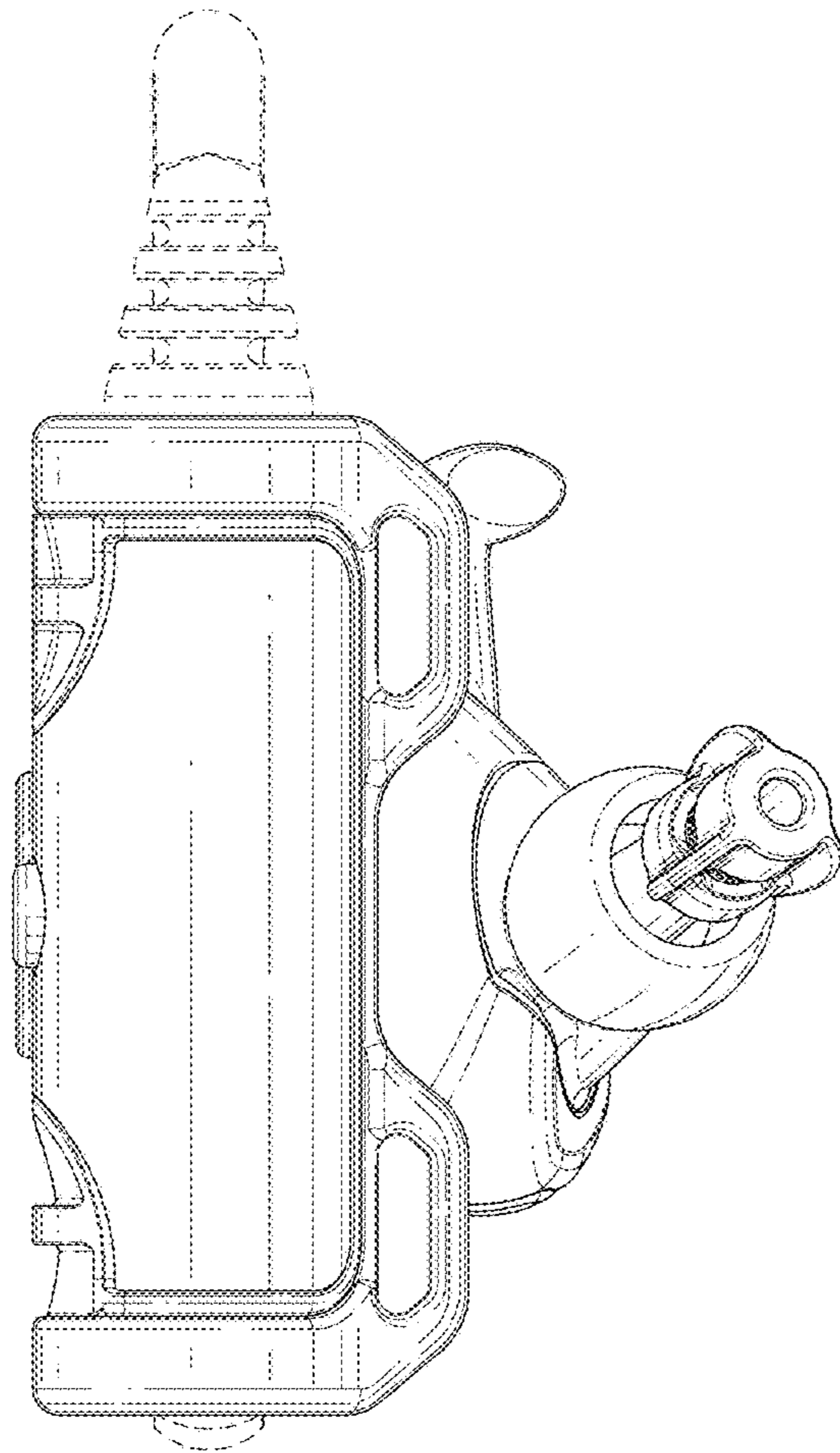


FIG. 6



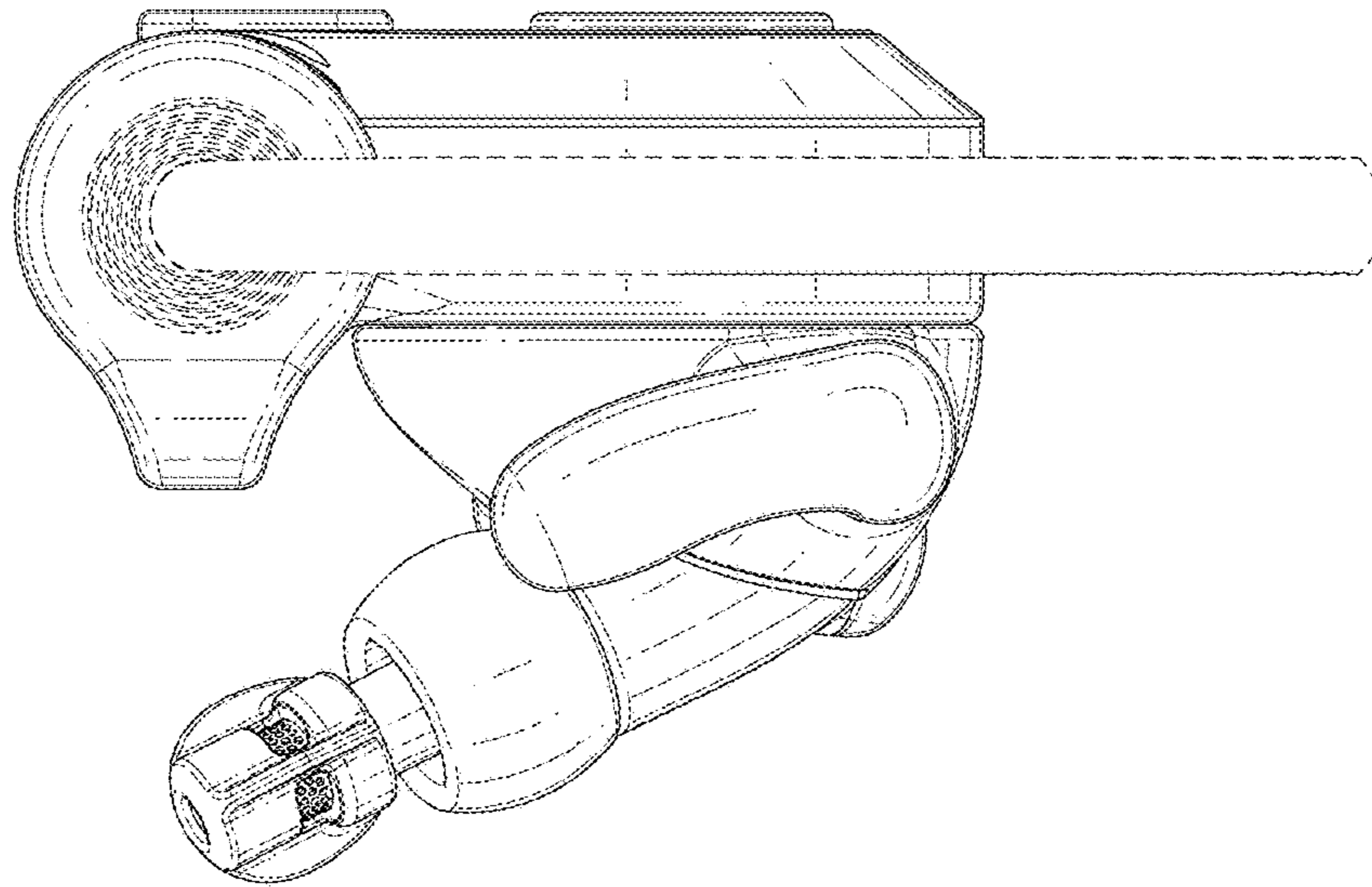


FIG. 7

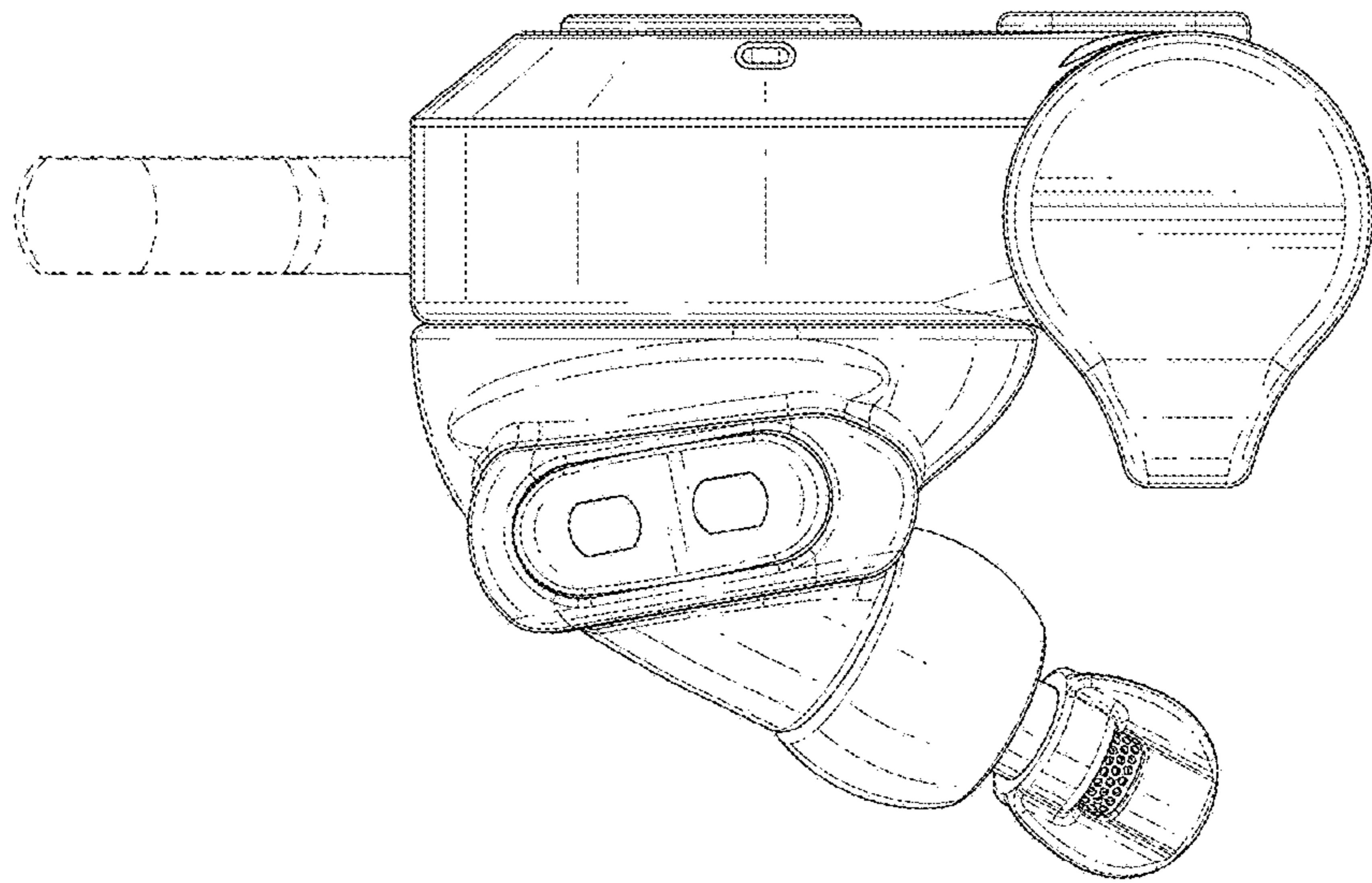


FIG. 8

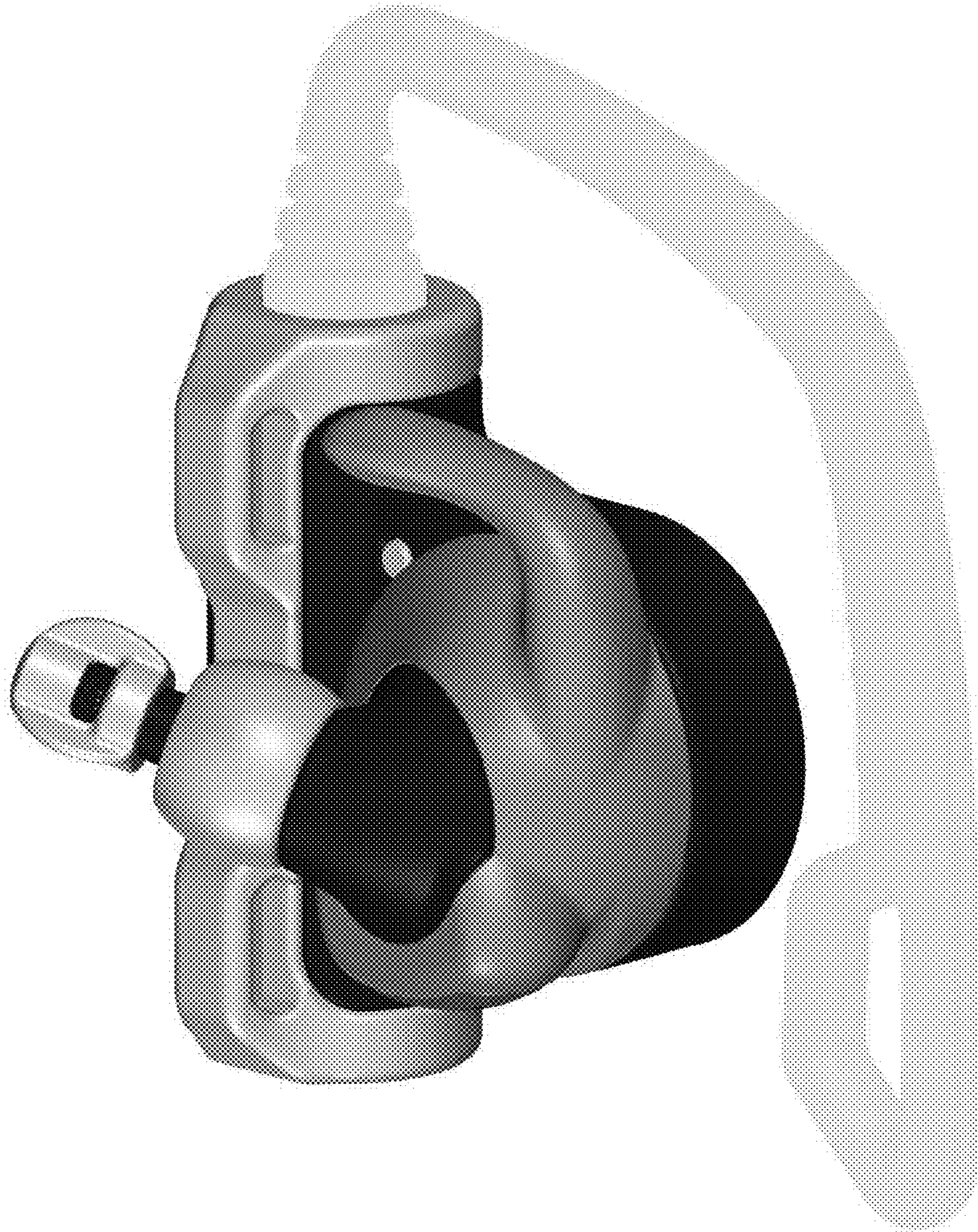


FIG. 9





FIG. 10



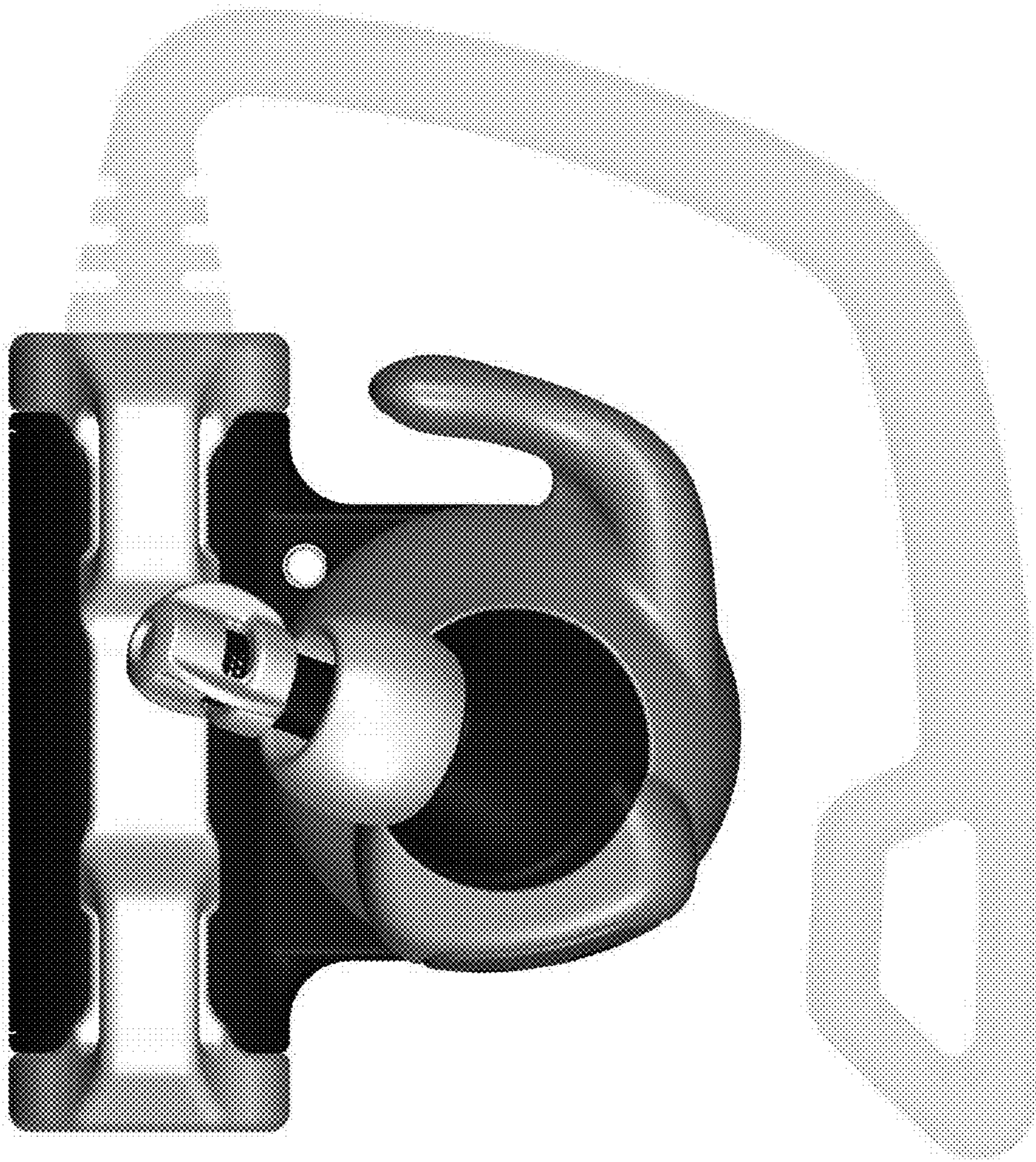


FIG. 11



FIG. 12



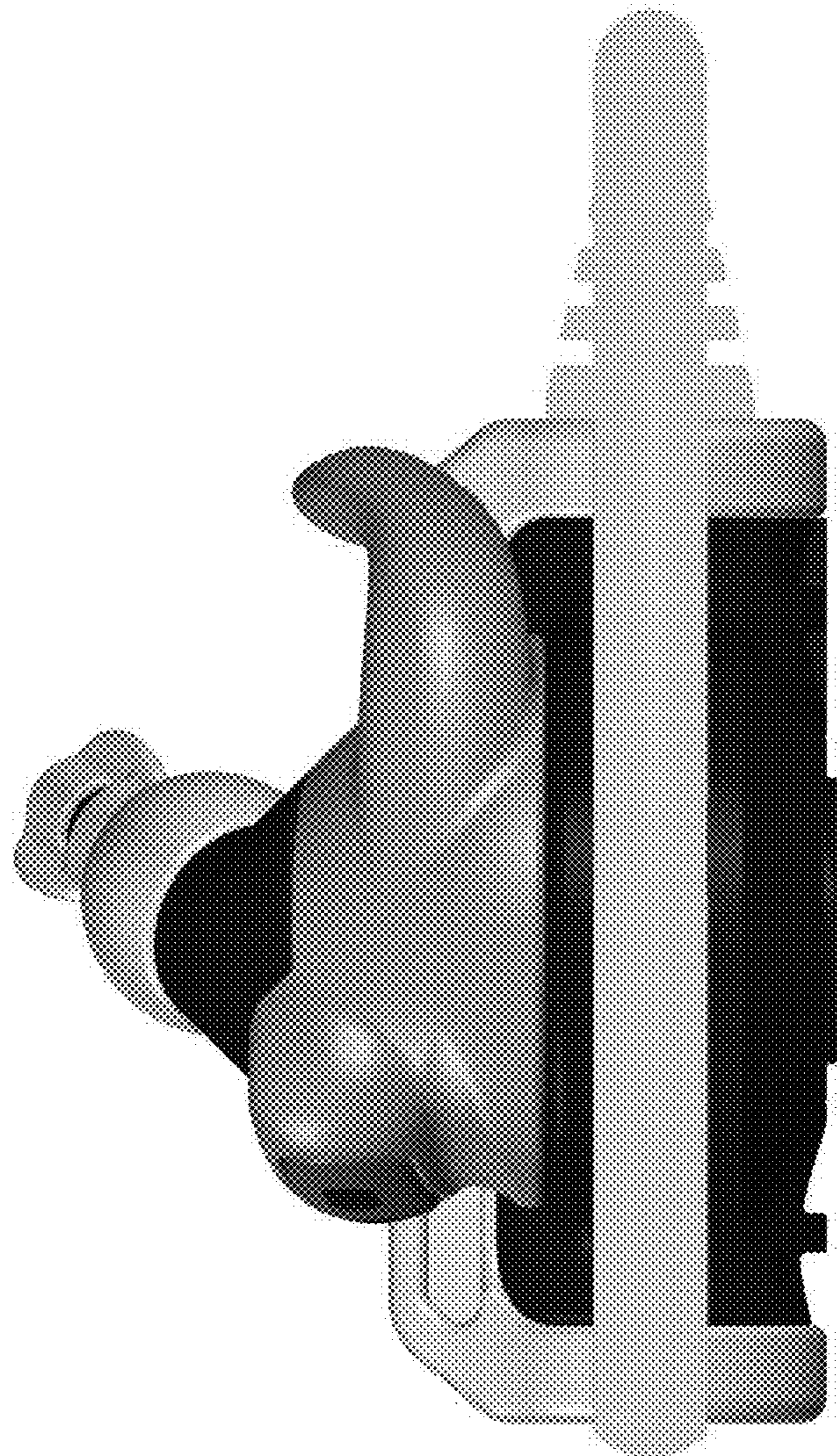


FIG. 13



FIG. 14



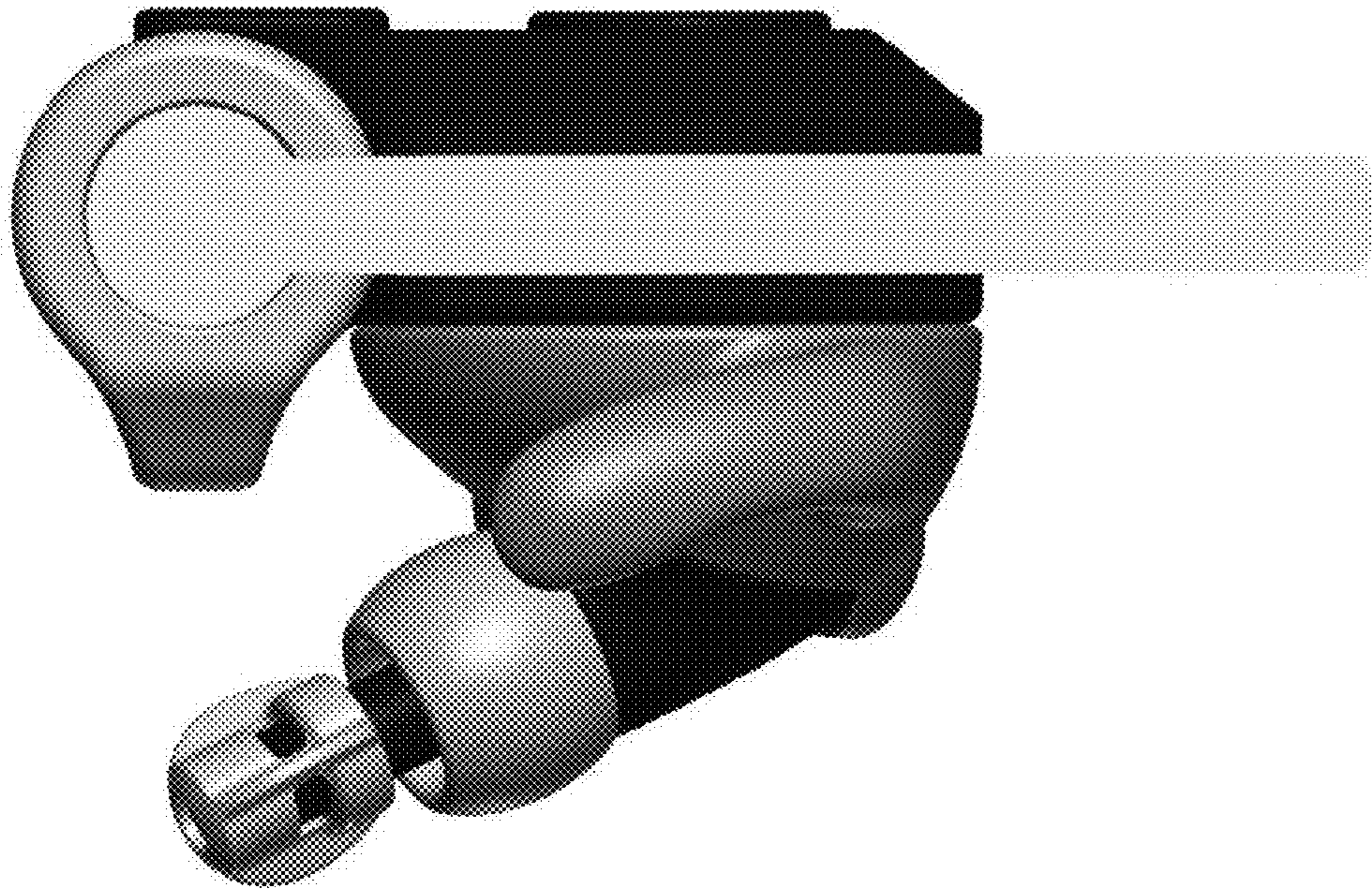


FIG. 15

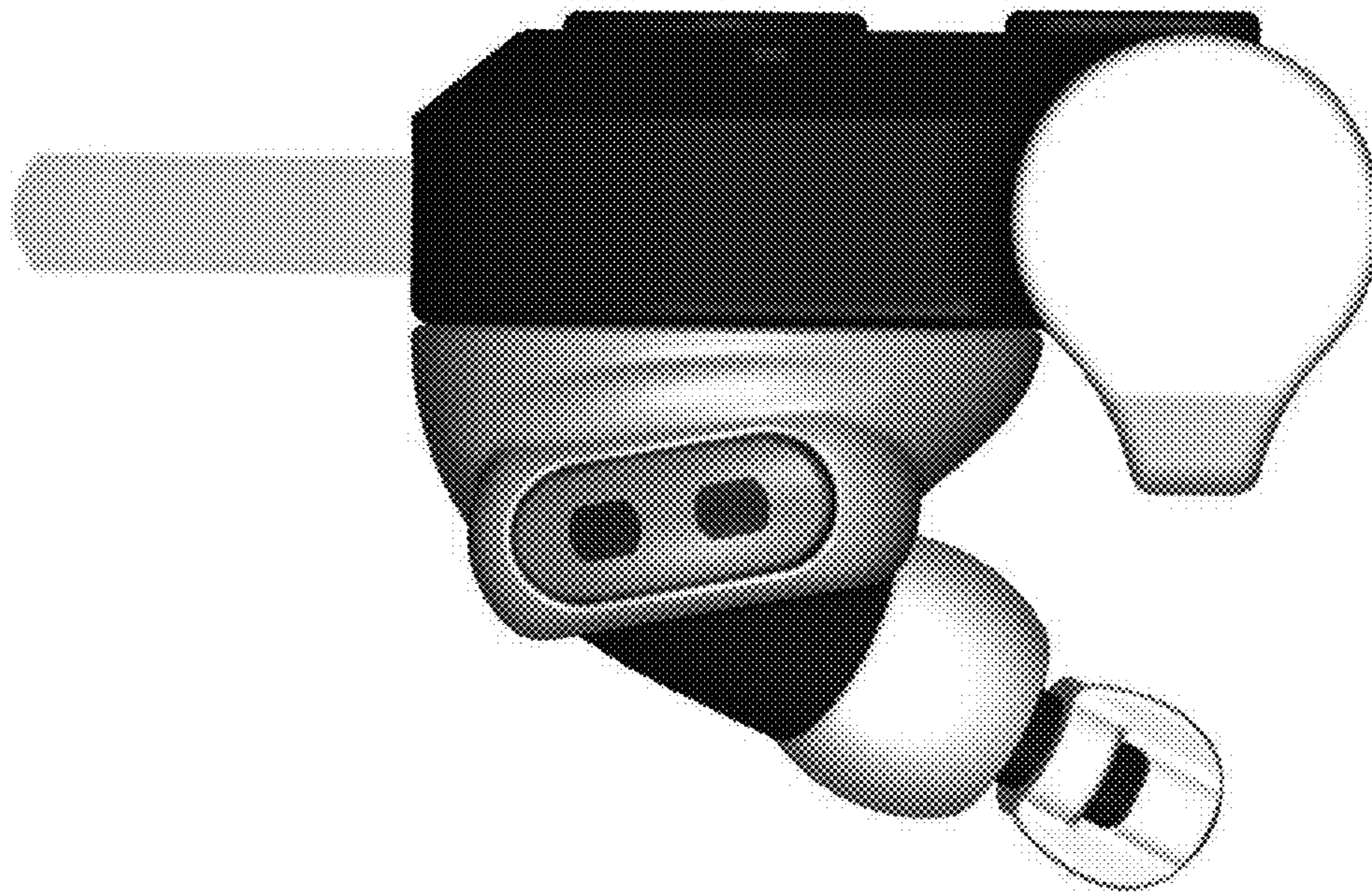


FIG. 16