



US00D856522S

(12) **United States Design Patent** (10) **Patent No.:** **US D856,522 S**
Windevall et al. (45) **Date of Patent:** **** Aug. 13, 2019**

(54) **HEARING IMPLANT ACCESSORY**

(71) Applicants: **Anna Windevall**, Mölnlycke (SE);
Denis Djogic, Gothenburg (SE);
Fredrik Ringqvist, Gothenburg (SE)

(72) Inventors: **Anna Windevall**, Mölnlycke (SE);
Denis Djogic, Gothenburg (SE);
Fredrik Ringqvist, Gothenburg (SE)

(73) Assignee: **Cochlear Limited**, NSW (AU)

(**) Term: **15 Years**

(21) Appl. No.: **29/617,735**

(22) Filed: **Sep. 15, 2017**

(51) **LOC (12) Cl.** **24-99**

(52) **U.S. Cl.**
 USPC **D24/174**

(58) **Field of Classification Search**
 USPC D24/173-175; D14/205, 223-226, 249
 CPC .. H04R 2225/025; H04R 25/60; H04R 25/63;
 H04R 25/67; H04R 25/602; H04R
 25/604; H04R 25/608; H04R 25/65;
 H04R 25/652
 See application file for complete search history.

(56) **References Cited**

U.S. PATENT DOCUMENTS

D518,816 S	*	4/2006	Naito	D14/205
D597,069 S	*	7/2009	Wengreen	D14/205
D604,419 S	*	11/2009	Mori	D24/174
D615,205 S	*	5/2010	Pukall	D24/174
D634,434 S	*	3/2011	Pukall	D24/174
D654,057 S	*	2/2012	Burgett	D14/223

D672,044 S	*	12/2012	Larsen	D24/174
D672,874 S	*	12/2012	Ishibashi	D24/174
2013/0101148 A1	*	4/2013	Karlsen	H04R 25/65 381/323

FOREIGN PATENT DOCUMENTS

CN 201830093858 * 3/2018

* cited by examiner

Primary Examiner — Anhdao Doan

(74) *Attorney, Agent, or Firm* — Finnegan, Henderson, Farabow, Garrett & Dunner LLP

(57) **CLAIM**

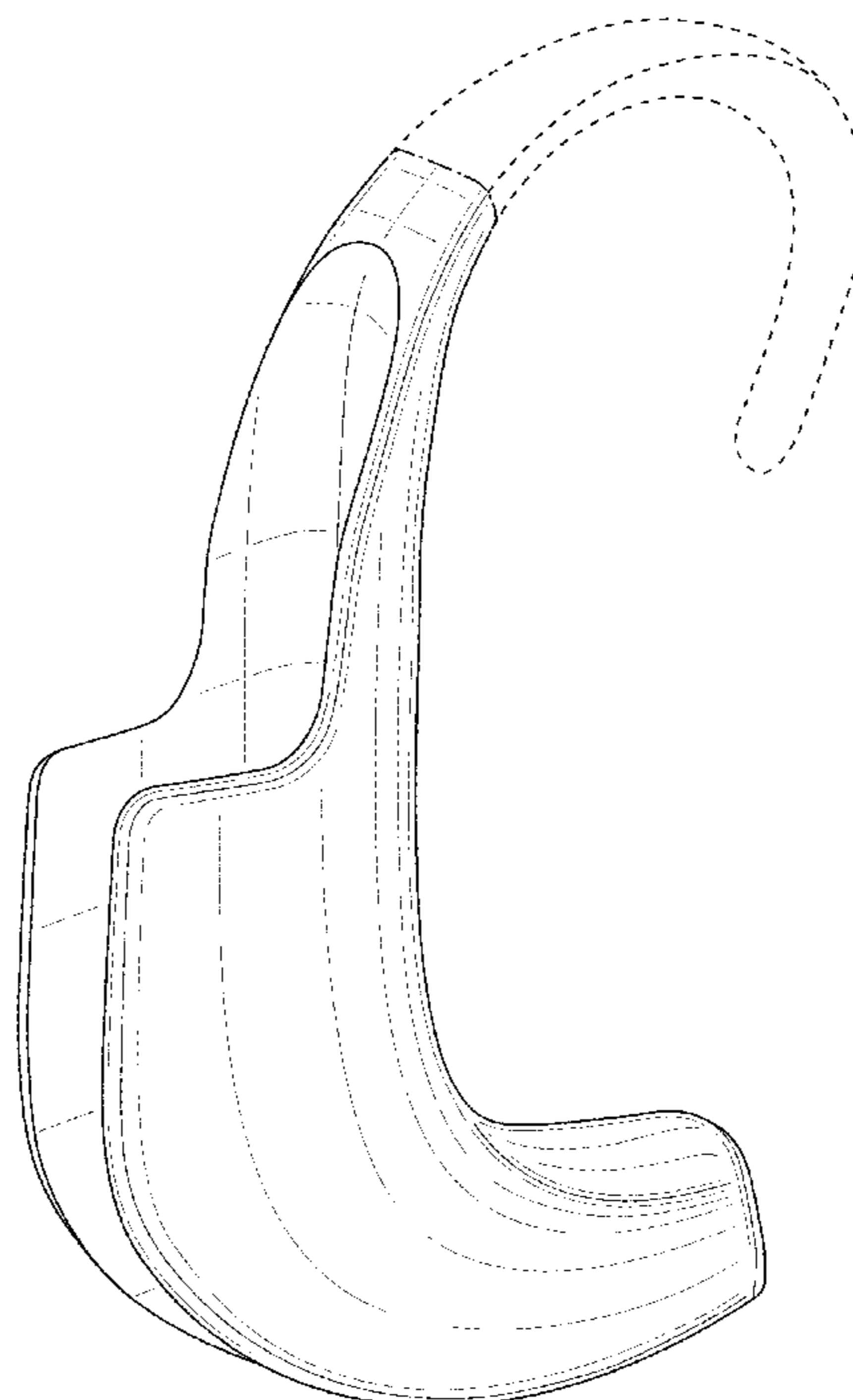
The ornamental design for a hearing implant accessory, as shown and described.

DESCRIPTION

FIG. 1 is a rear, left perspective view of a hearing implant accessory showing our new design;
 FIG. 2 is a front elevation view thereof;
 FIG. 3 is a rear view thereof;
 FIG. 4 is a left side view thereof;
 FIG. 5 is a right side view thereof;
 FIG. 6 is a top plan view thereof;
 FIG. 7 is a bottom plan view thereof; and,
 FIG. 8 is a rear, left perspective view of the design in a position of use.

The dash-dot-dash lines represent the bounds of the claim, the broken lines showing a human head in FIG. 8 representing the environment in which the design may reside, and the other broken lines show a portion of the hearing implant accessory that forms no part of the claimed design.

1 Claim, 8 Drawing Sheets



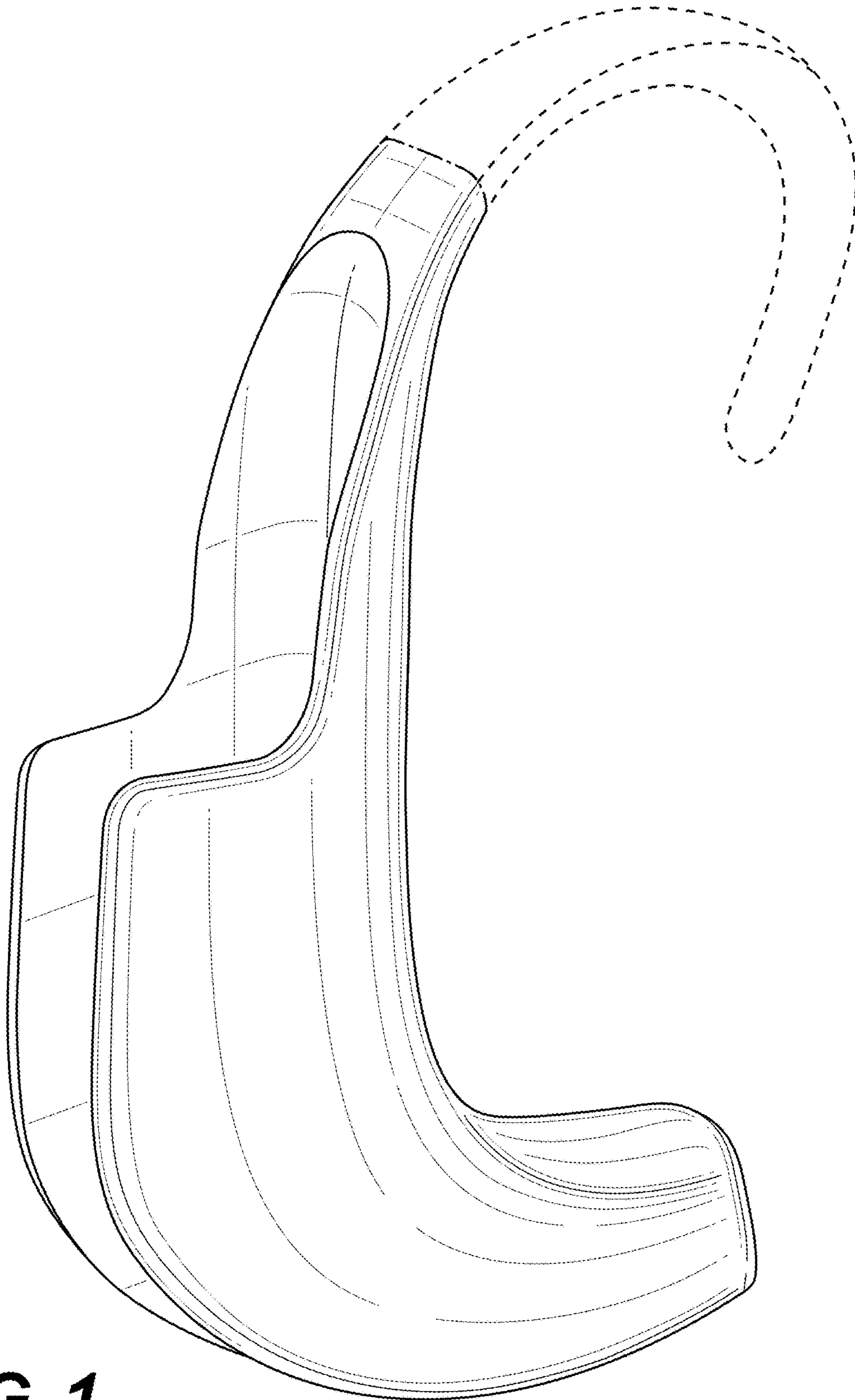


FIG. 1

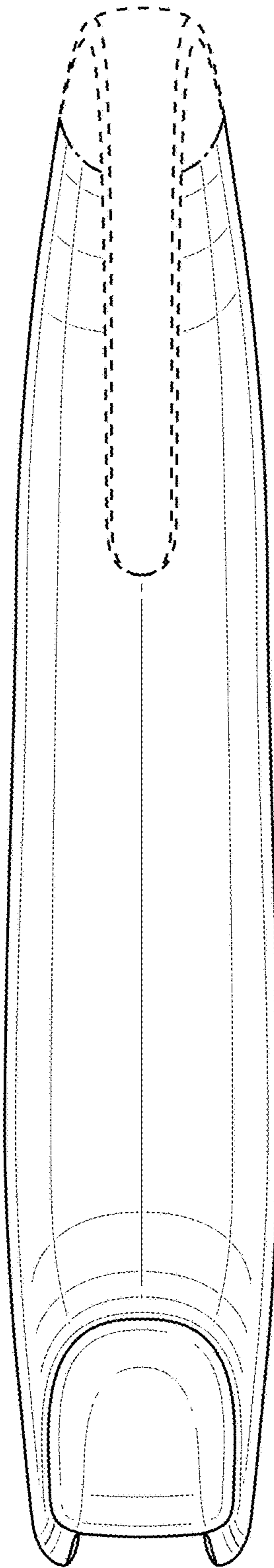


FIG. 2

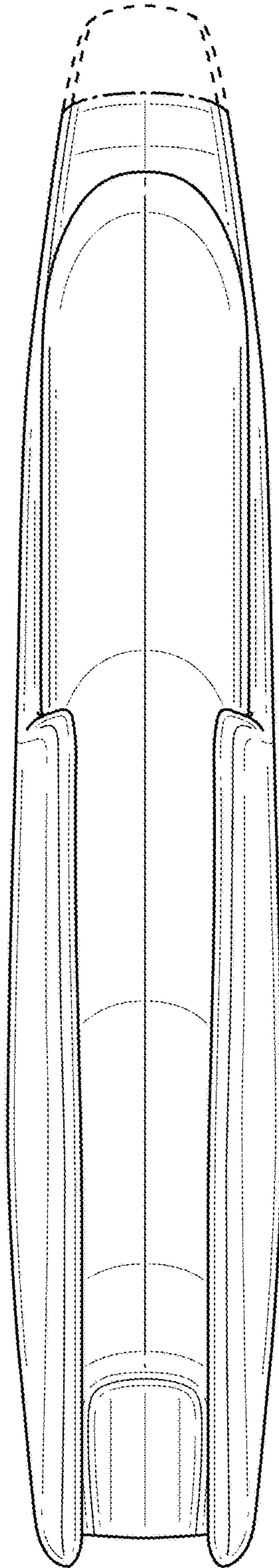


FIG. 3

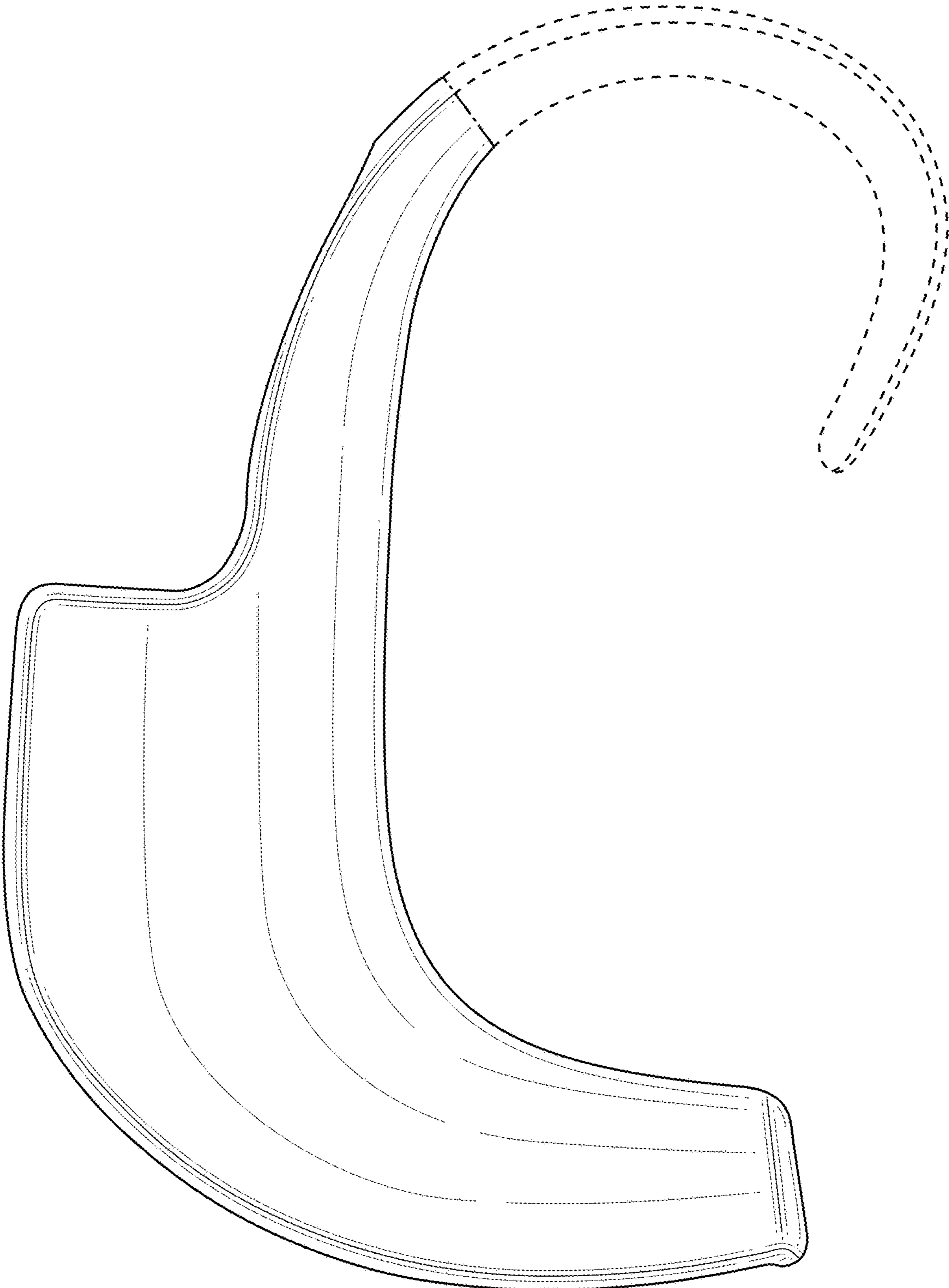


FIG. 4

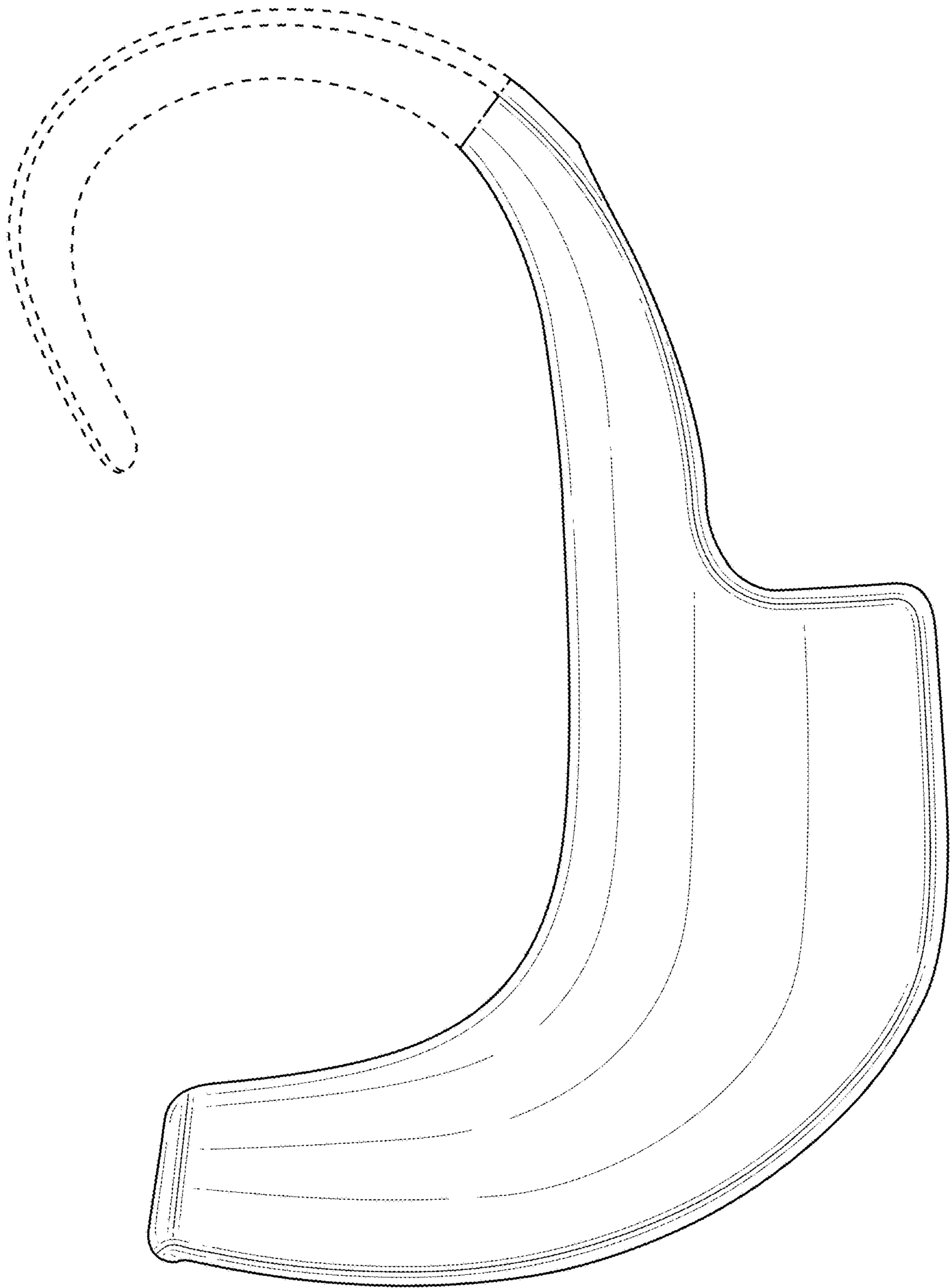


FIG. 5

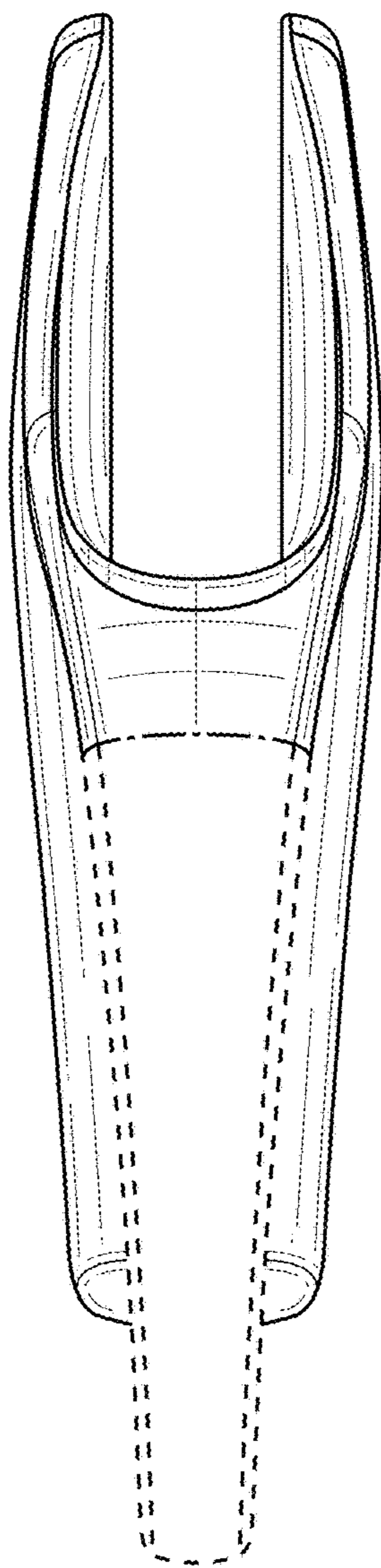


FIG. 6

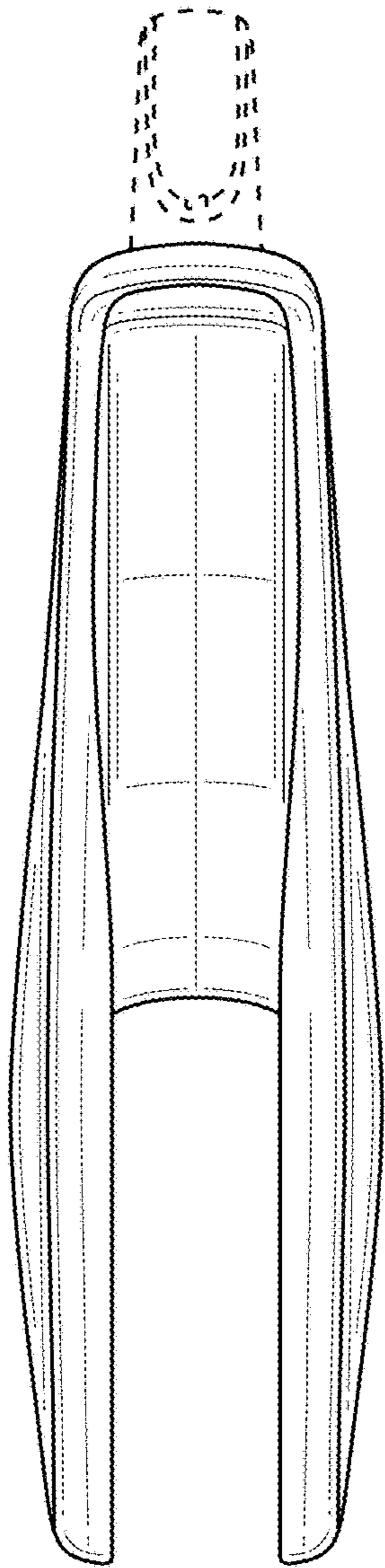


FIG. 7

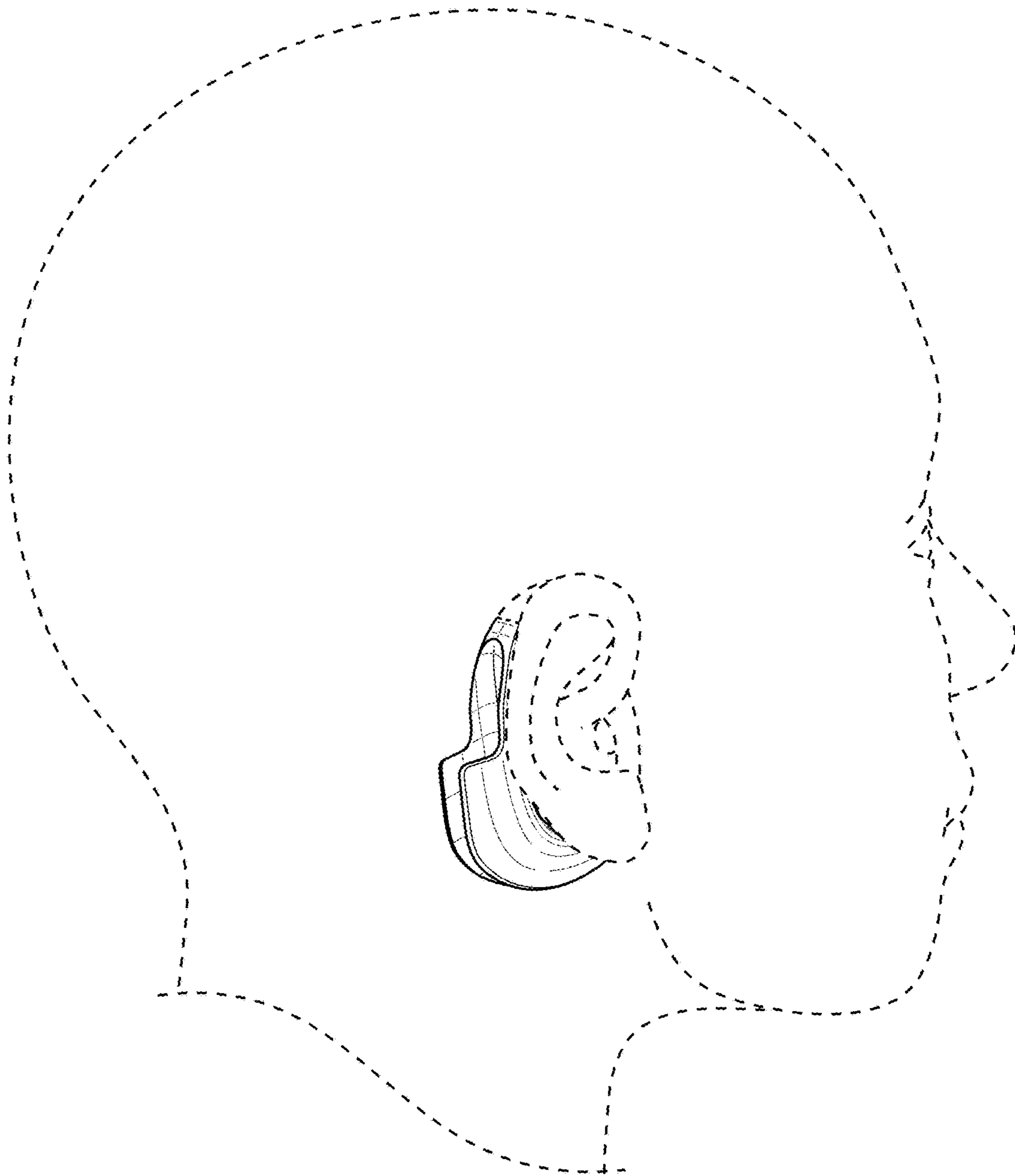


FIG. 8