



US00D856521S

(12) **United States Design Patent** (10) **Patent No.:** **US D856,521 S**
Tian (45) **Date of Patent:** **** Aug. 13, 2019**

(54) **CERVICAL VERTEBRA TRACTOR**

2007/0073203 A1* 3/2007 Moenning A61F 5/055
602/18

(71) Applicant: **Hengshui Jizhou Luomai Medical instruments Co., Ltd.**, Hengshui, Hebei Province (CN)

2011/0034844 A1* 2/2011 Thorgildsdottir A61F 5/055
602/18

2018/0055676 A1* 3/2018 Tian A61F 5/05816
2018/0078401 A1* 3/2018 Hsu A61F 5/055

(72) Inventor: **Ying Tian**, Jizhou (CN)

FOREIGN PATENT DOCUMENTS

(73) Assignee: **HENGSHUI JIZHOU LUOMAI MEDICAL INSTRUMENTS CO., LTD.**, Hengshui (CN)

CN 304266508 * 9/2017
CN 304489245 * 2/2018
CN 304600070 * 4/2018

(**) Term: **15 Years**

* cited by examiner

(21) Appl. No.: **29/603,835**

Primary Examiner — Barbara Fox

Assistant Examiner — Mary Shannon Malley

(22) Filed: **May 12, 2017**

(74) *Attorney, Agent, or Firm* — Muncy, Geissler, Olds & Lowe, P.C.

(51) **LOC (12) Cl.** **24-01**

(52) **U.S. Cl.**

USPC **D24/171**

(58) **Field of Classification Search**

USPC D24/188–191, 171

CPC A61H 1/0218; A61F 5/048; A61F 5/042;

A61F 5/04; A61F 5/055

See application file for complete search history.

(57) **CLAIM**

The ornamental design for a cervical vertebra tractor, as shown and described.

DESCRIPTION

(56) **References Cited**

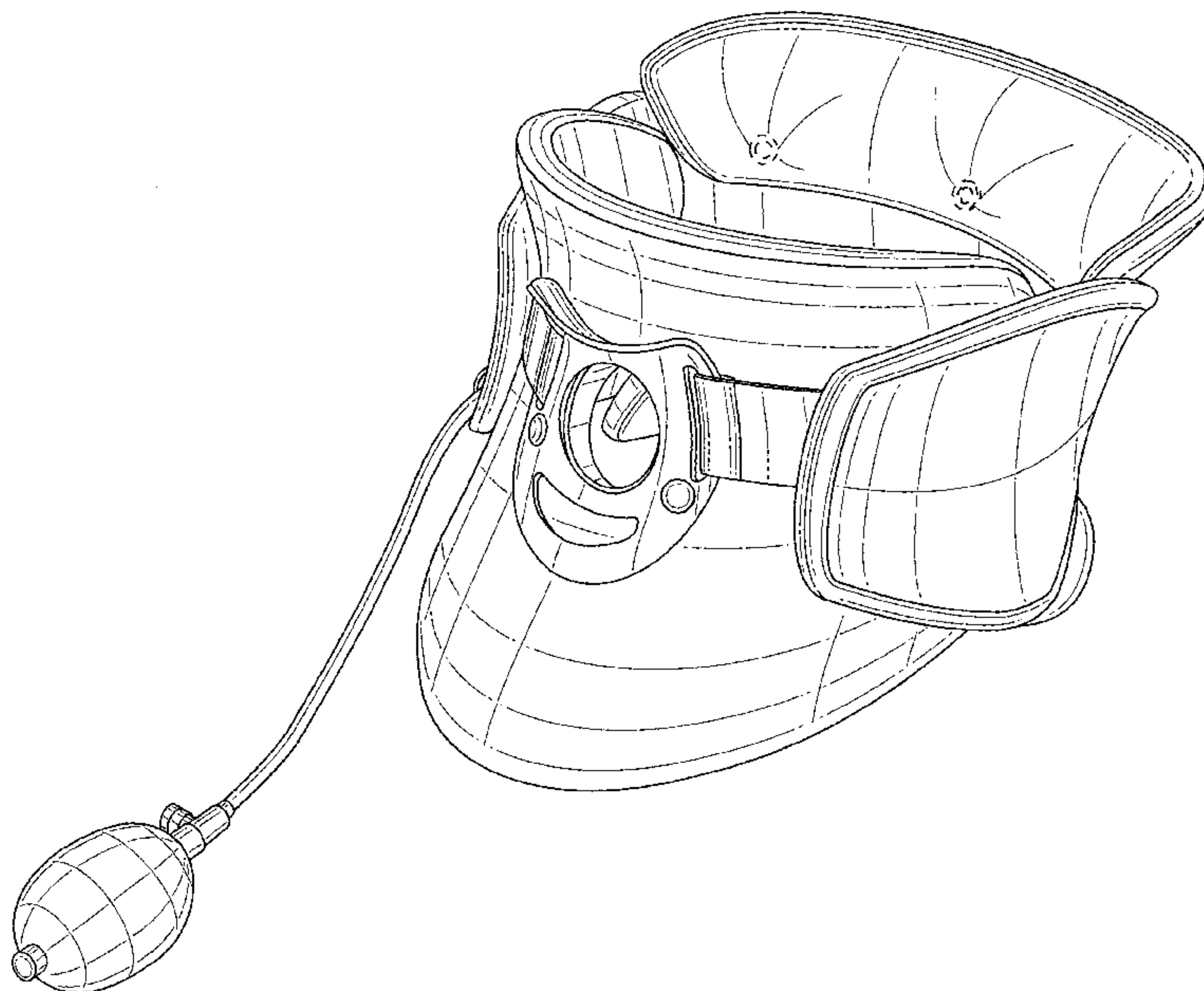
U.S. PATENT DOCUMENTS

3,285,244 A * 11/1966 Cottrell A61F 5/055
128/DIG. 23
D662,597 S * 6/2012 Chang D24/191
D666,302 S * 8/2012 Joseph D24/191
D692,568 S * 10/2013 Chiang D24/191
D693,014 S * 11/2013 Chiang D24/191
D716,957 S * 11/2014 Chiang D24/191
D816,234 S * 4/2018 Calvello D24/190
D824,035 S * 7/2018 Sudell D24/191
2004/0176713 A1* 9/2004 Garth A61F 5/055
602/18

FIG. 1 is a front, right, top perspective view of a cervical vertebra tractor showing my new design; FIG. 2 is a front elevational view thereof; FIG. 3 is a rear elevational view thereof; FIG. 4 is a left side view thereof; FIG. 5 is a right side view thereof; FIG. 6 is a top plan view thereof; and, FIG. 7 is a bottom plan view thereof.

The broken lines illustrate portions of the cervical vertebra tractor which form no part of the claimed design.

1 Claim, 7 Drawing Sheets



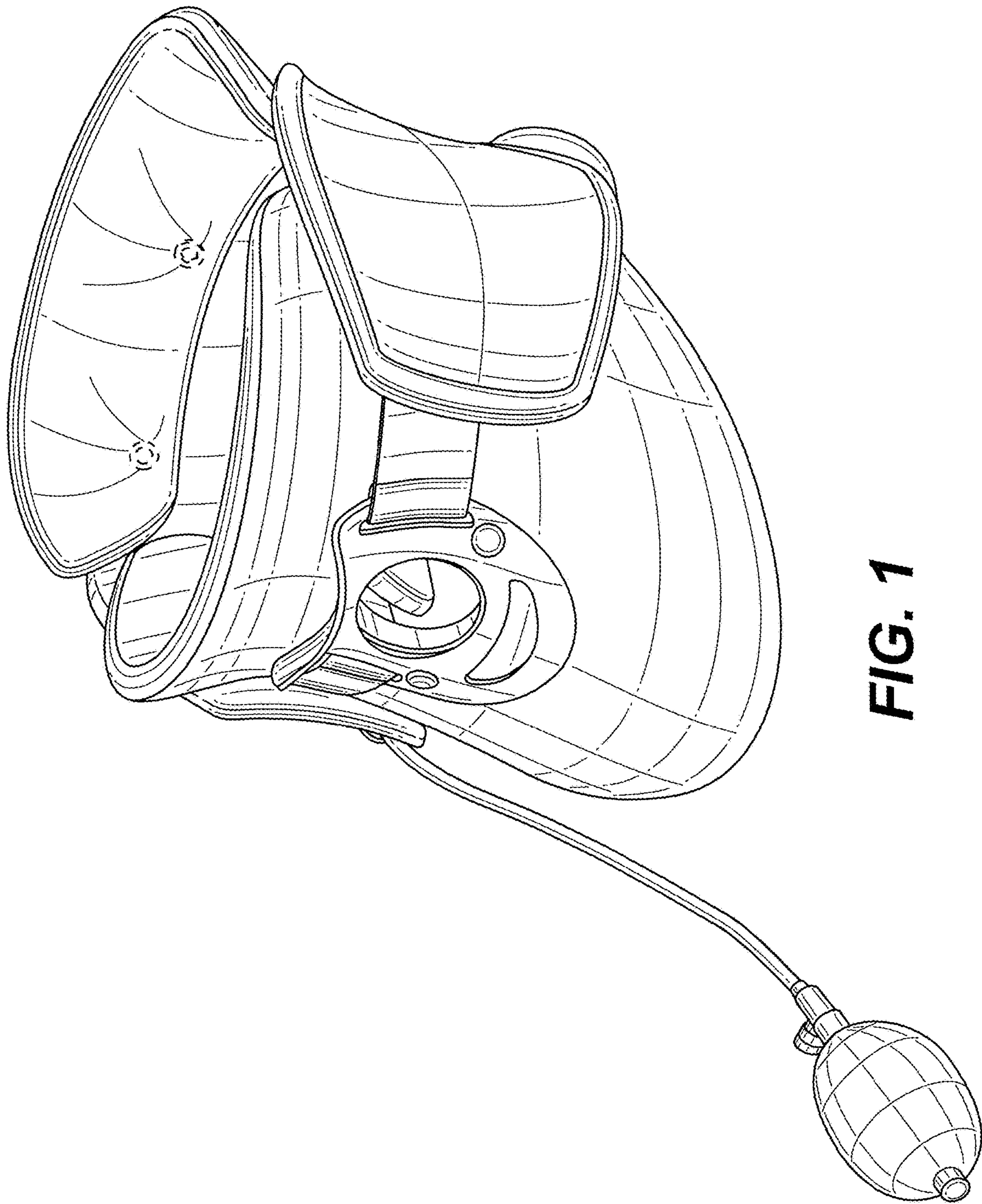


FIG. 1

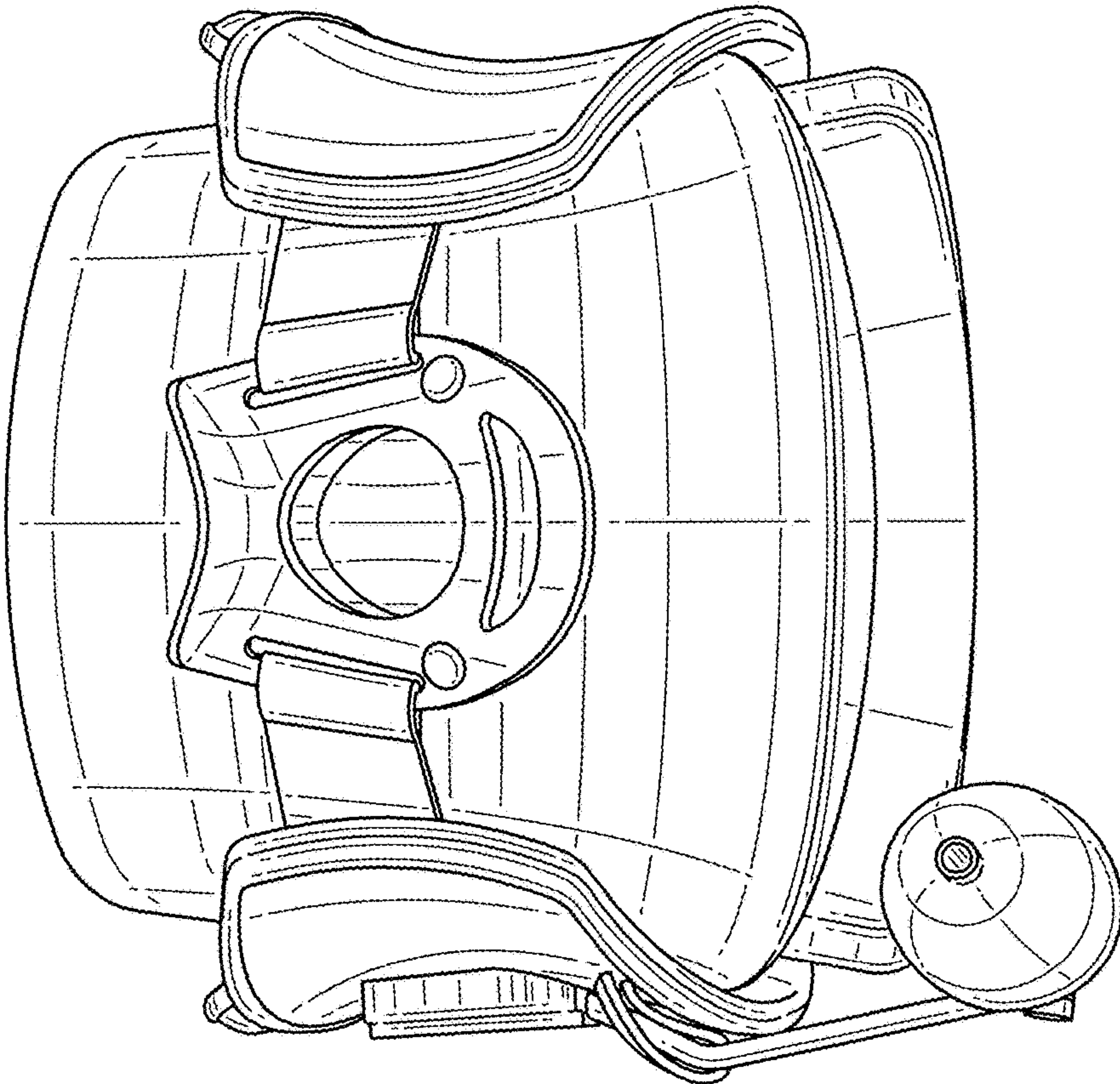


FIG. 2

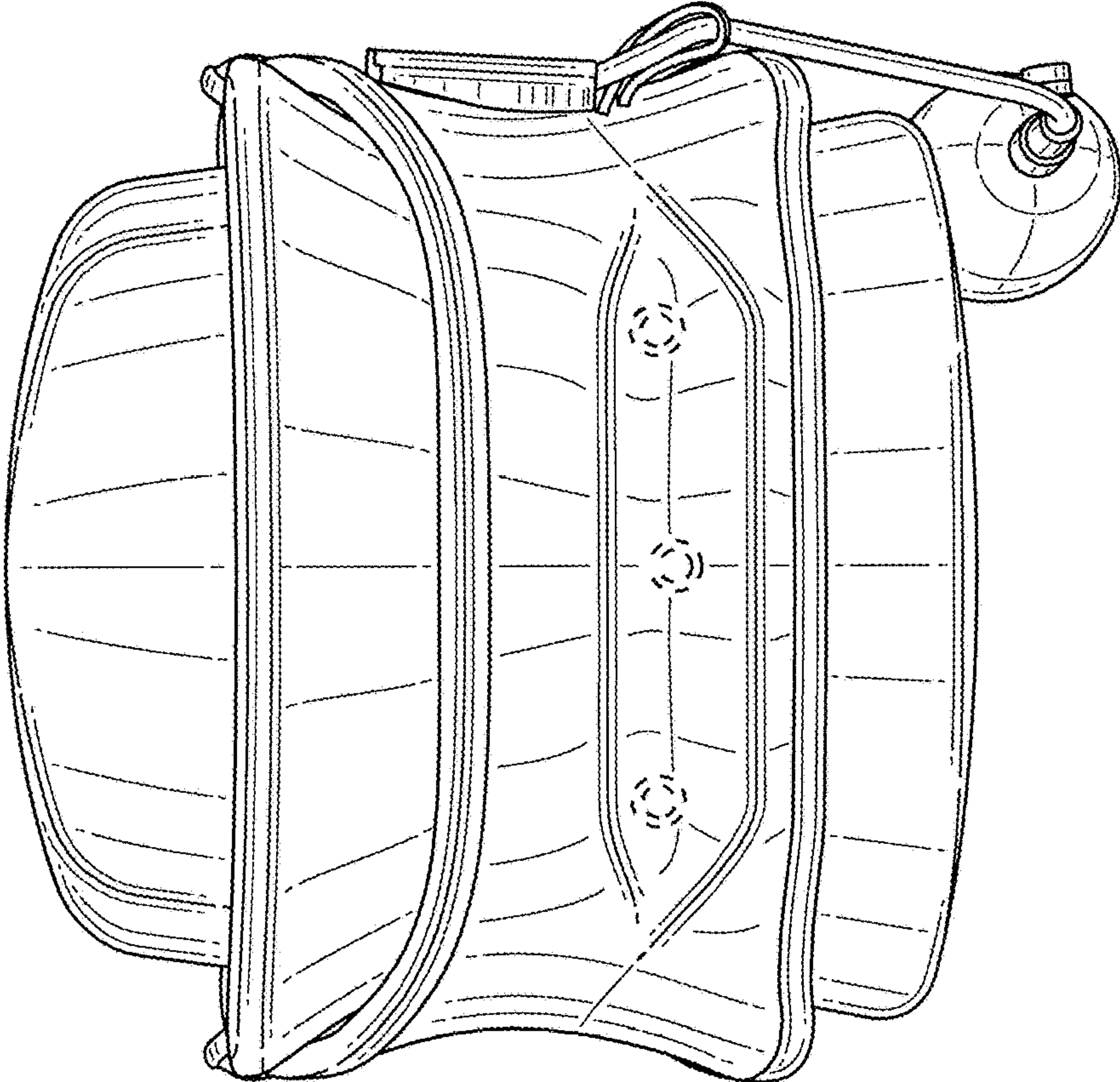


FIG. 3

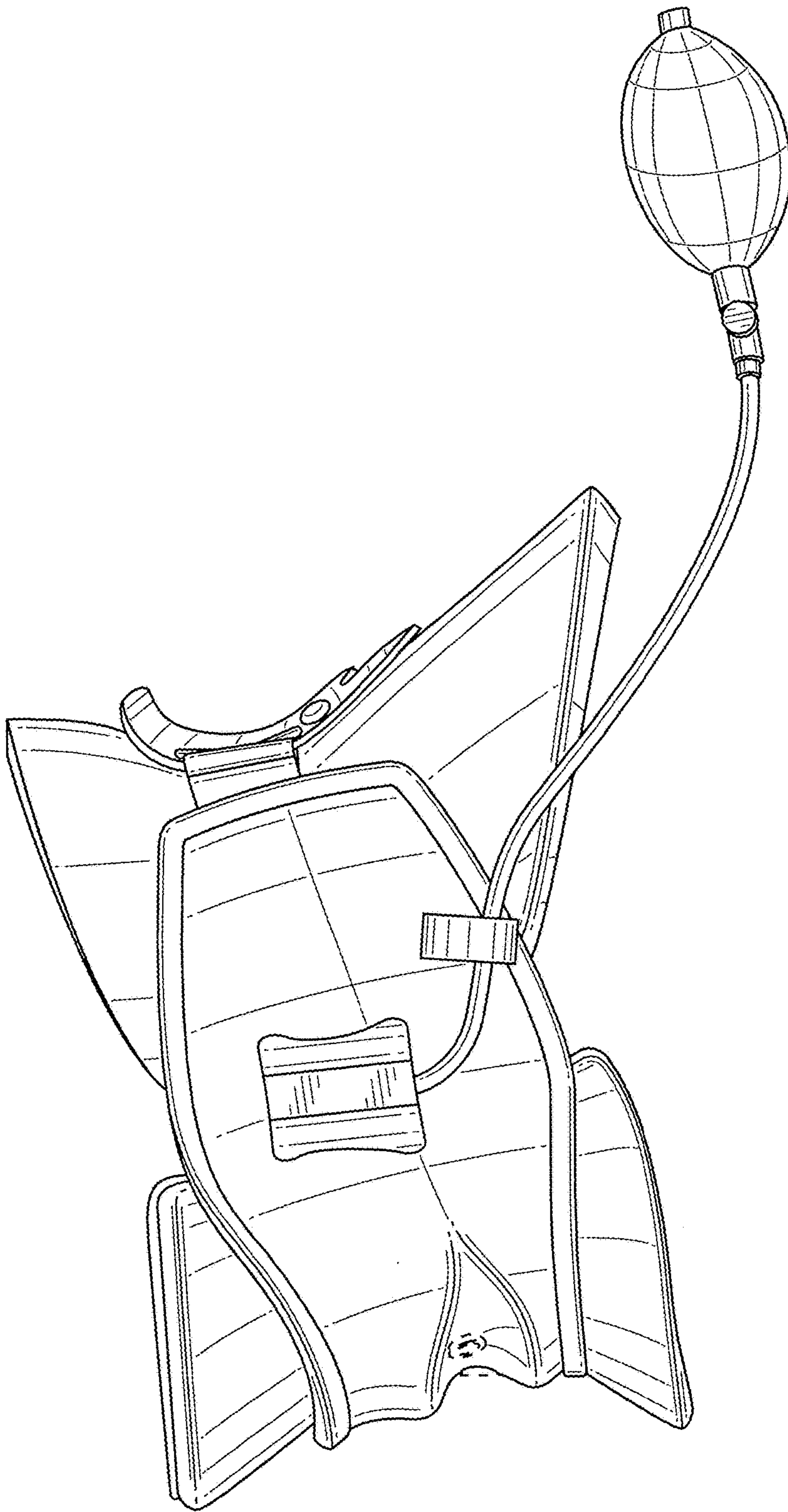


FIG. 4

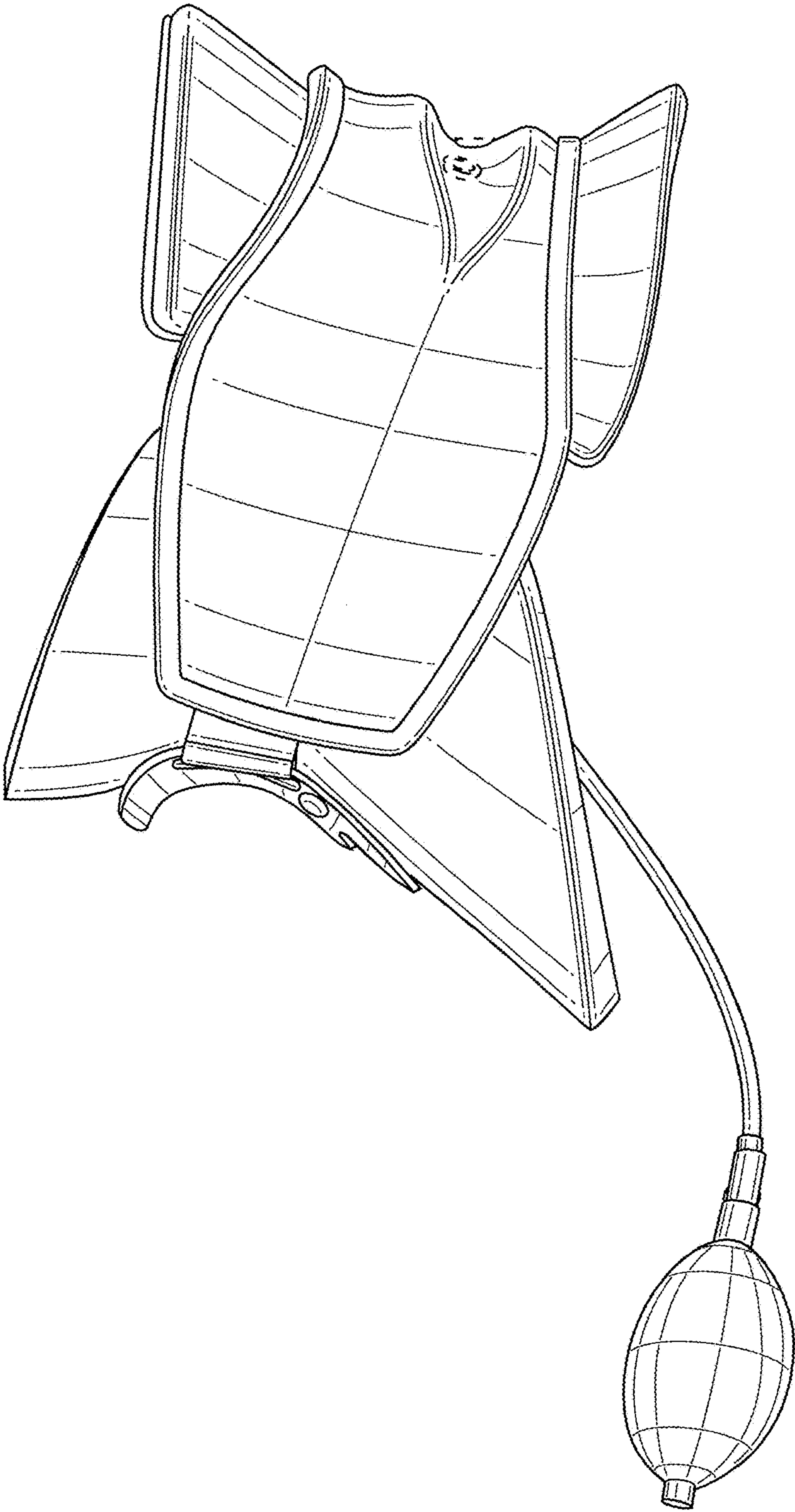


FIG. 5

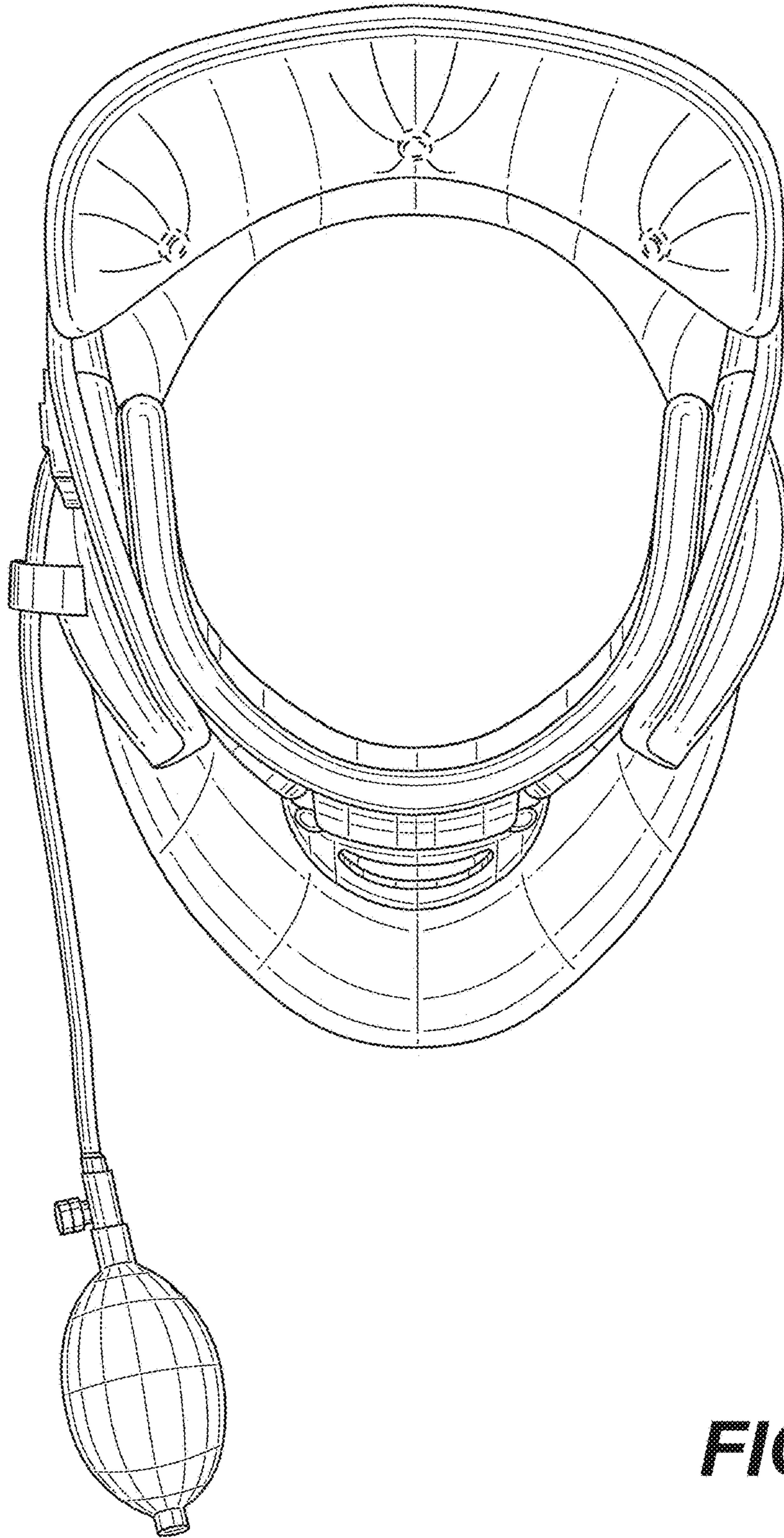


FIG. 6

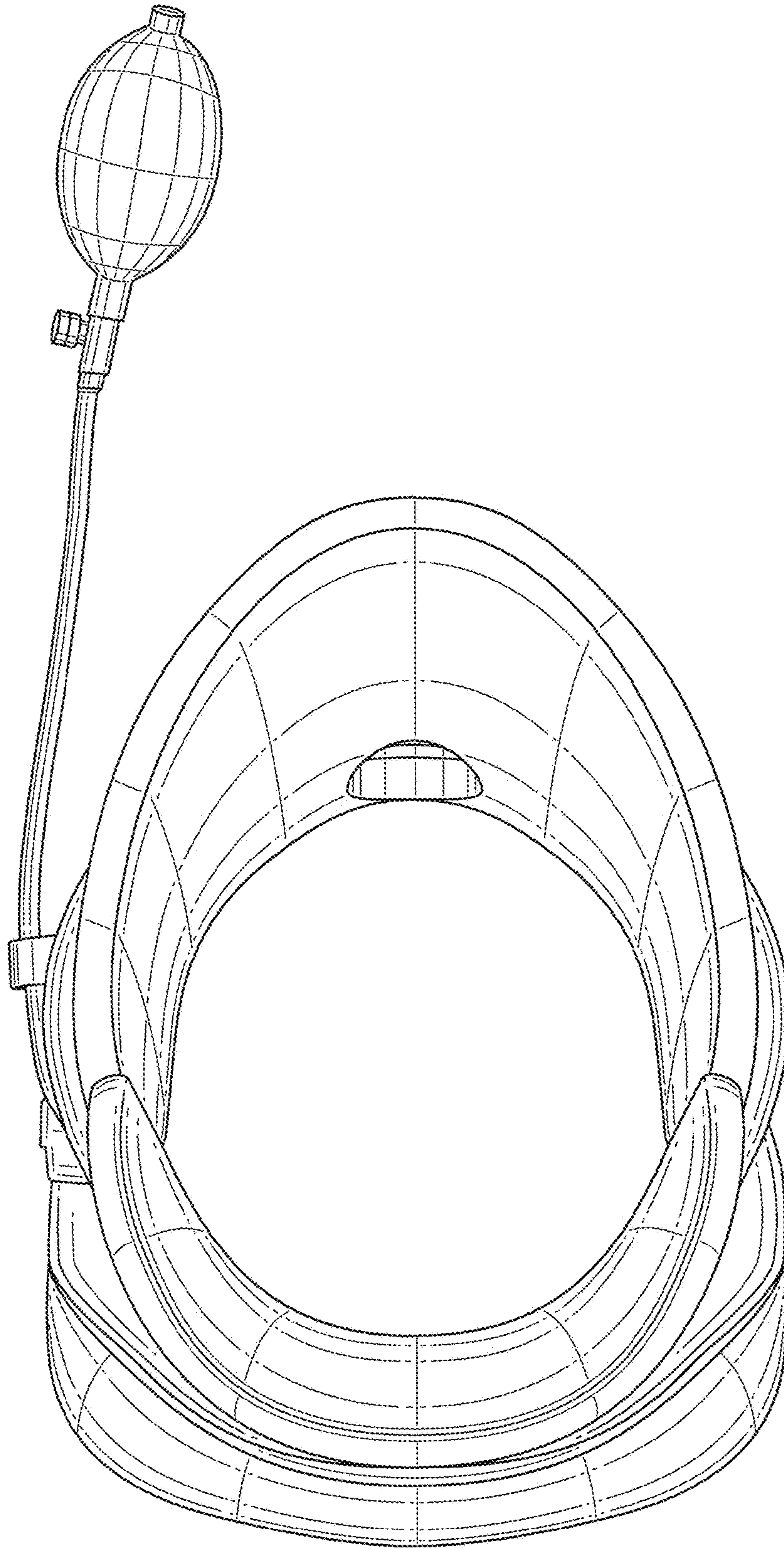


FIG. 7