



US00D856520S

(12) **United States Design Patent** (10) **Patent No.:** **US D856,520 S**
Kim (45) **Date of Patent:** **** Aug. 13, 2019**

(54) **CHAIR FOR MAGNETIC RESONANCE IMAGING DEVICE**

D462,189 S * 9/2002 Brockway D6/367
D474,277 S * 5/2003 Juni D24/158
D492,998 S * 7/2004 Juni D24/158

(Continued)

(71) Applicant: **Samsung Electronics Co., Ltd.**,
Suwon-si (KR)

FOREIGN PATENT DOCUMENTS

(72) Inventor: **Euisik Kim**, Seoul (KR)

CN 303575491 S 2/2016
CN 303723573 S 6/2016
EM 0037547870004 2/2017

(73) Assignee: **SAMSUNG ELECTRONICS CO., LTD.**, Gyeonggi-Do (KR)

Primary Examiner — Anhdao Doan

(74) *Attorney, Agent, or Firm* — Cantor Colburn LLP

(**) Term: **15 Years**

(57) **CLAIM**

(21) Appl. No.: **29/644,644**

The ornamental design for a chair for magnetic resonance imaging device, as shown and described.

(22) Filed: **Apr. 19, 2018**

DESCRIPTION

(30) **Foreign Application Priority Data**

Nov. 15, 2017 (KR) 30-2017-0053328

(51) **LOC (12) Cl.** **24-01**

(52) **U.S. Cl.**
USPC **D24/159**

(58) **Field of Classification Search**

USPC D24/107, 158–161, 185, 186, 187, 231,
D24/183, 184; D6/334, 335, 349, 353,
D6/364, 708, 708.17, 708.18, 708.21
CPC .. A61B 6/03; A61B 6/035; A61B 5/05; A61B
5/055; A61B 6/04; A61B 6/0407; G01N
2223/1013; G01N 2223/1016; A61N
2005/1054; A61N 2005/1055; A61N
2005/1074; A61G 13/1235; A61G
2210/50; A61F 5/3723; A61F 5/3761

See application file for complete search history.

FIG. 1 is a front perspective view of a chair for magnetic resonance imaging (“MRI”) device, showing my new design;

FIG. 2 is a front view thereof;

FIG. 3 is a rear view thereof;

FIG. 4 is a left side view thereof;

FIG. 5 is a right side view thereof;

FIG. 6 is a top view thereof;

FIG. 7 is a bottom view thereof;

FIG. 8 is a rear perspective view thereof;

FIG. 9 is another right side view thereof in an alternate position, in which a seat of the chair is raised to a different height;

FIG. 10 is another right side view thereof in another alternate position, in which the seat of the chair is inclined with a different angle; and,

FIG. 11 is another front perspective view thereof in an environment of use.

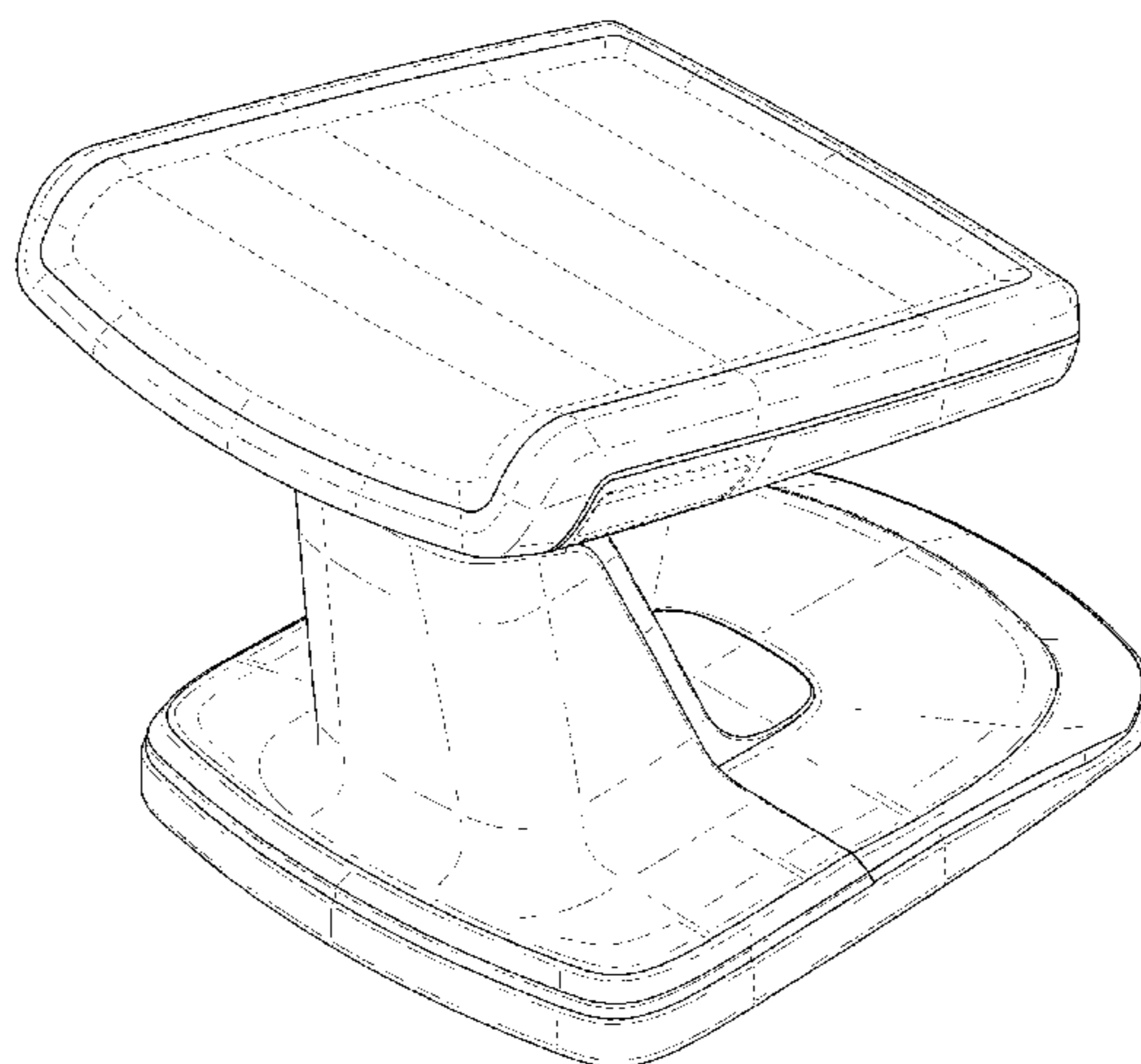
The broken lines illustrating portions of the chair for MRI device form no part of the claimed design. The broken lines illustrating a main chair in FIG. 11 are environmental purposes only and form no part of the claimed design.

(56) **References Cited**

U.S. PATENT DOCUMENTS

D255,077 S * 5/1980 Garza D6/708.17
D351,742 S * 10/1994 Phleps D24/183
D354,177 S * 1/1995 Schwaegerle D24/183

1 Claim, 11 Drawing Sheets



(56)

References Cited

U.S. PATENT DOCUMENTS

D590,188 S *	4/2009	Tran	D6/708.18
D595,981 S *	7/2009	Broering	D6/367
D678,686 S *	3/2013	Mizuno	D6/335
D824,032 S *	7/2018	Poulsen	D24/159
2015/0135441 A1 *	5/2015	Sommer	A61G 13/0036 5/613

* cited by examiner

FIG. 1

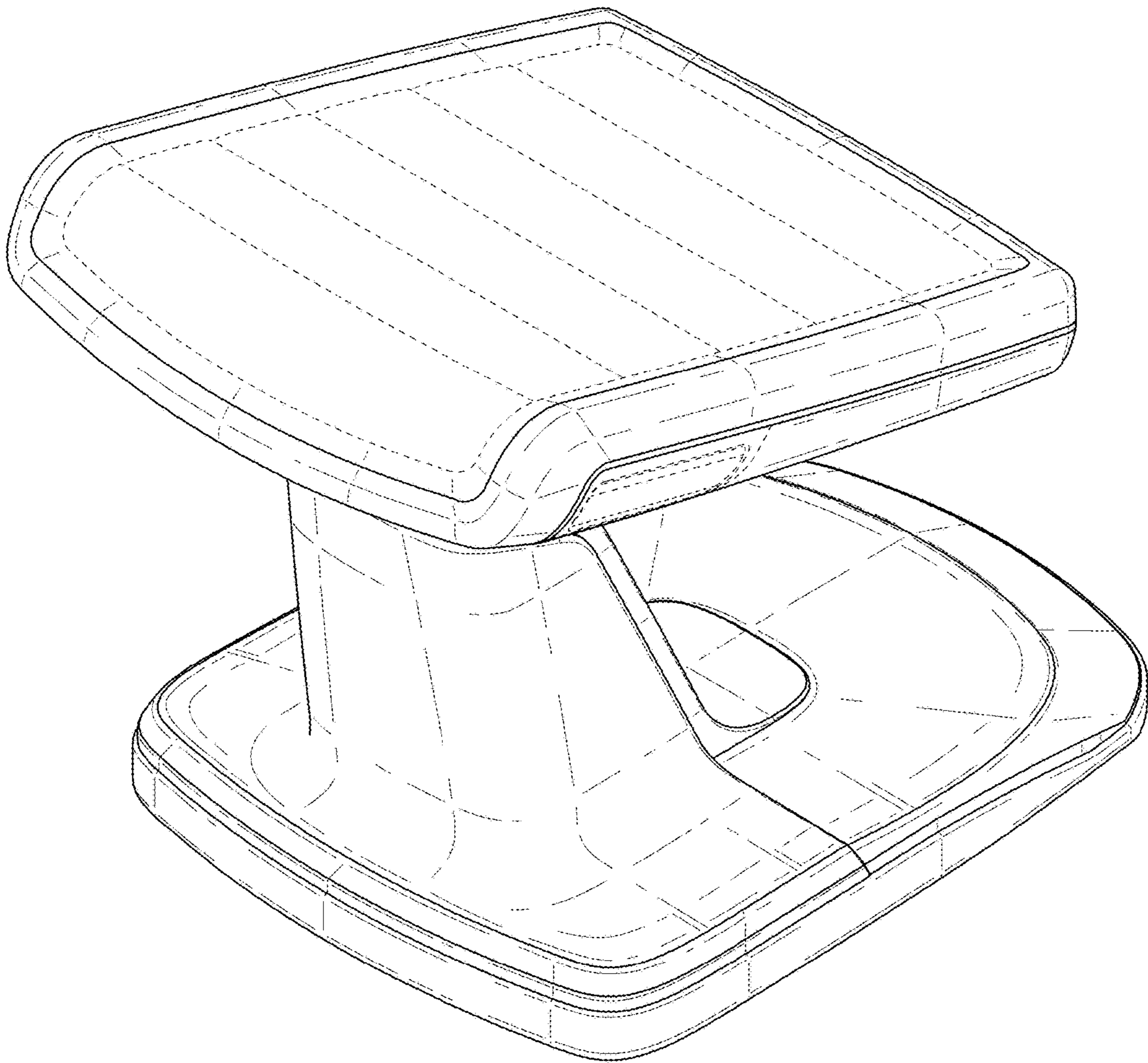


FIG. 2

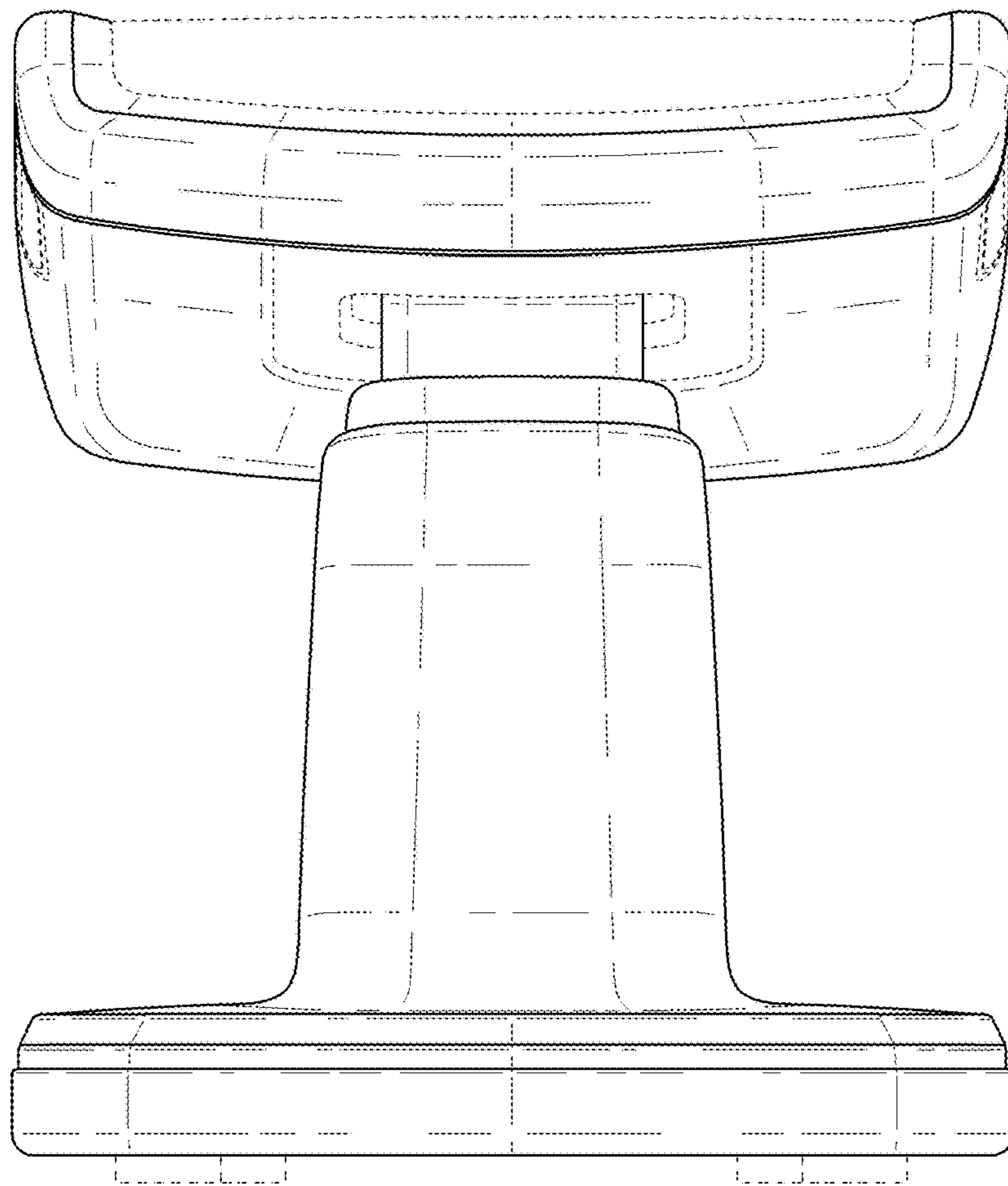


FIG. 3

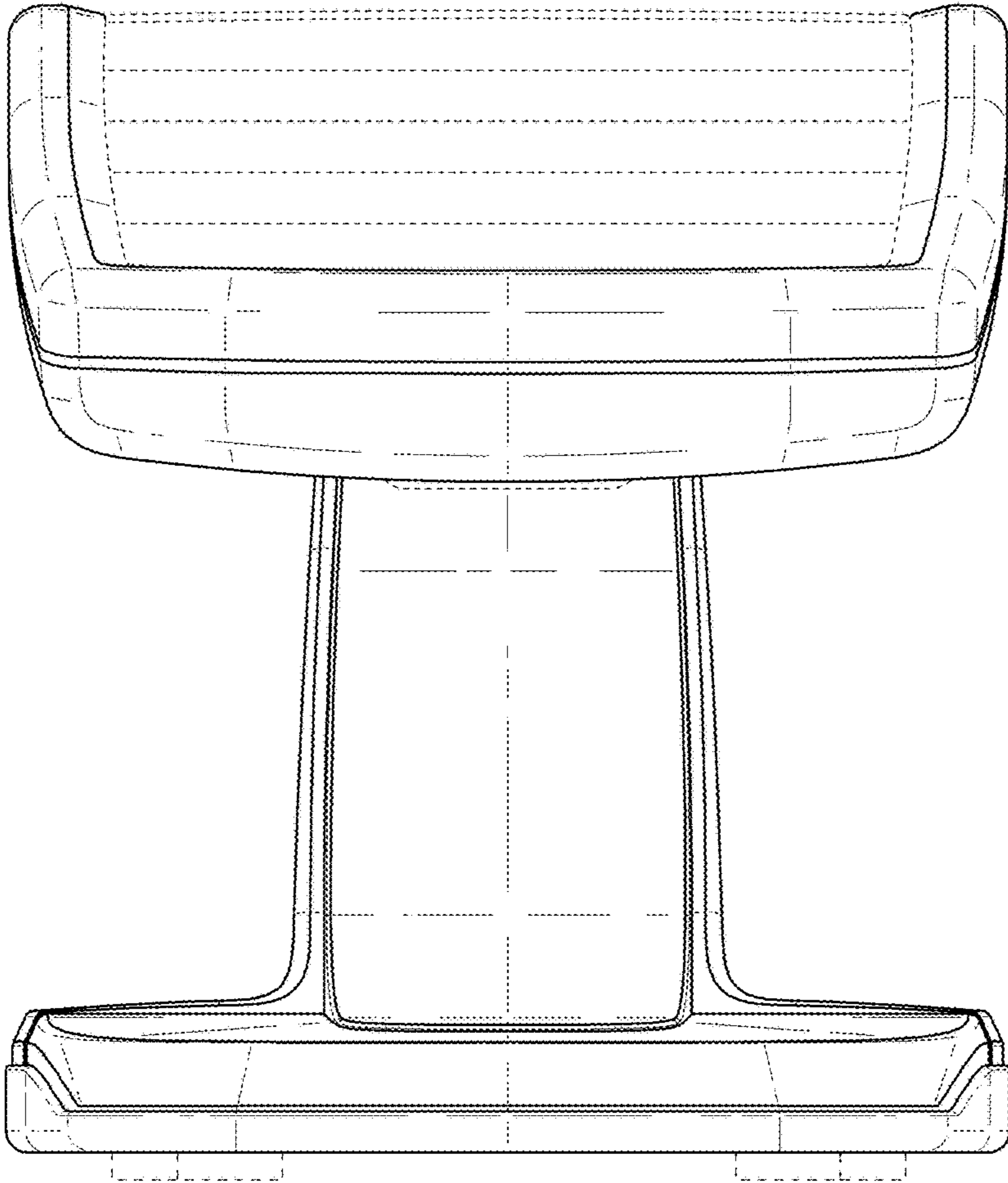


FIG. 4

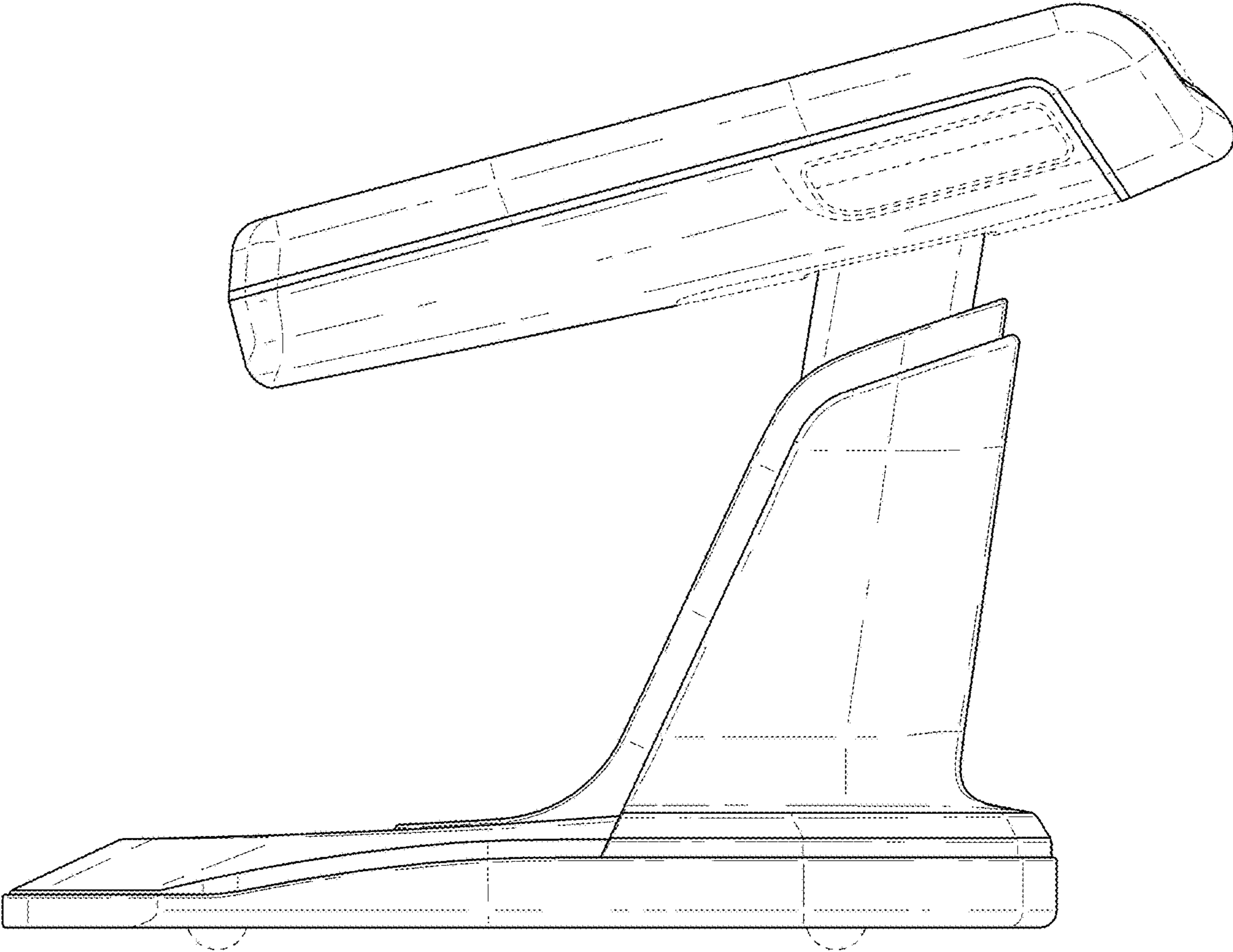


FIG. 5

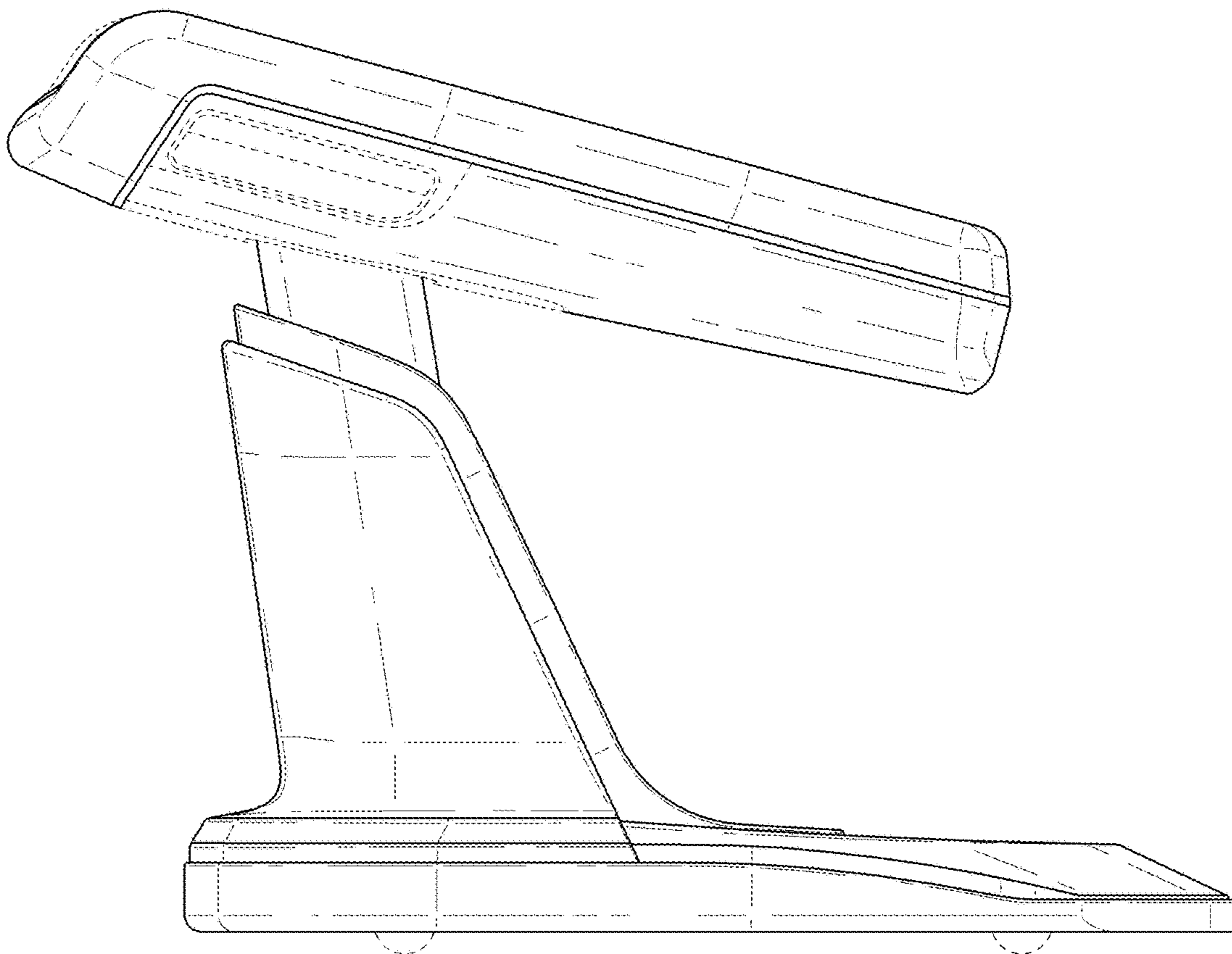


FIG. 6

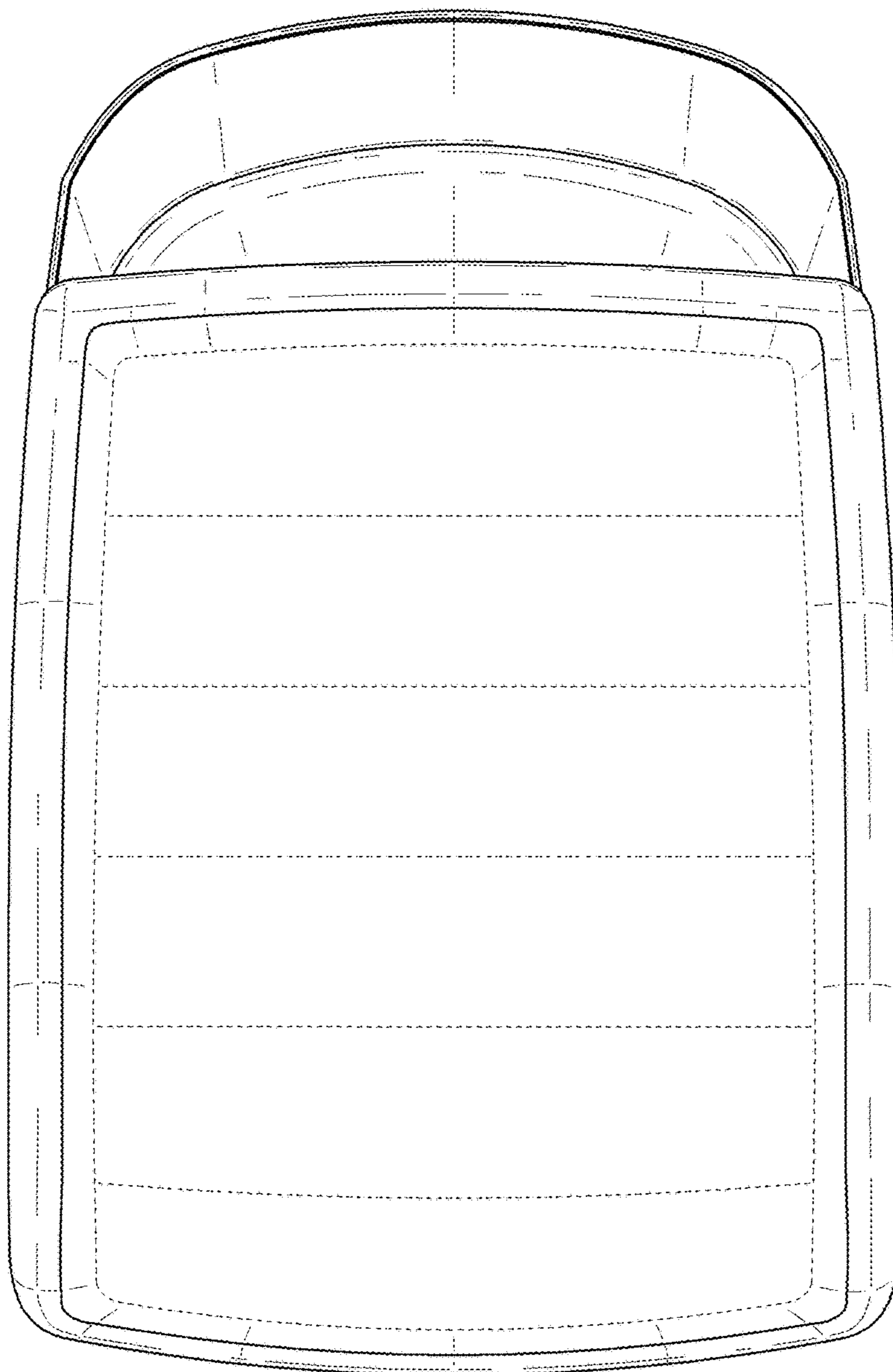


FIG. 7

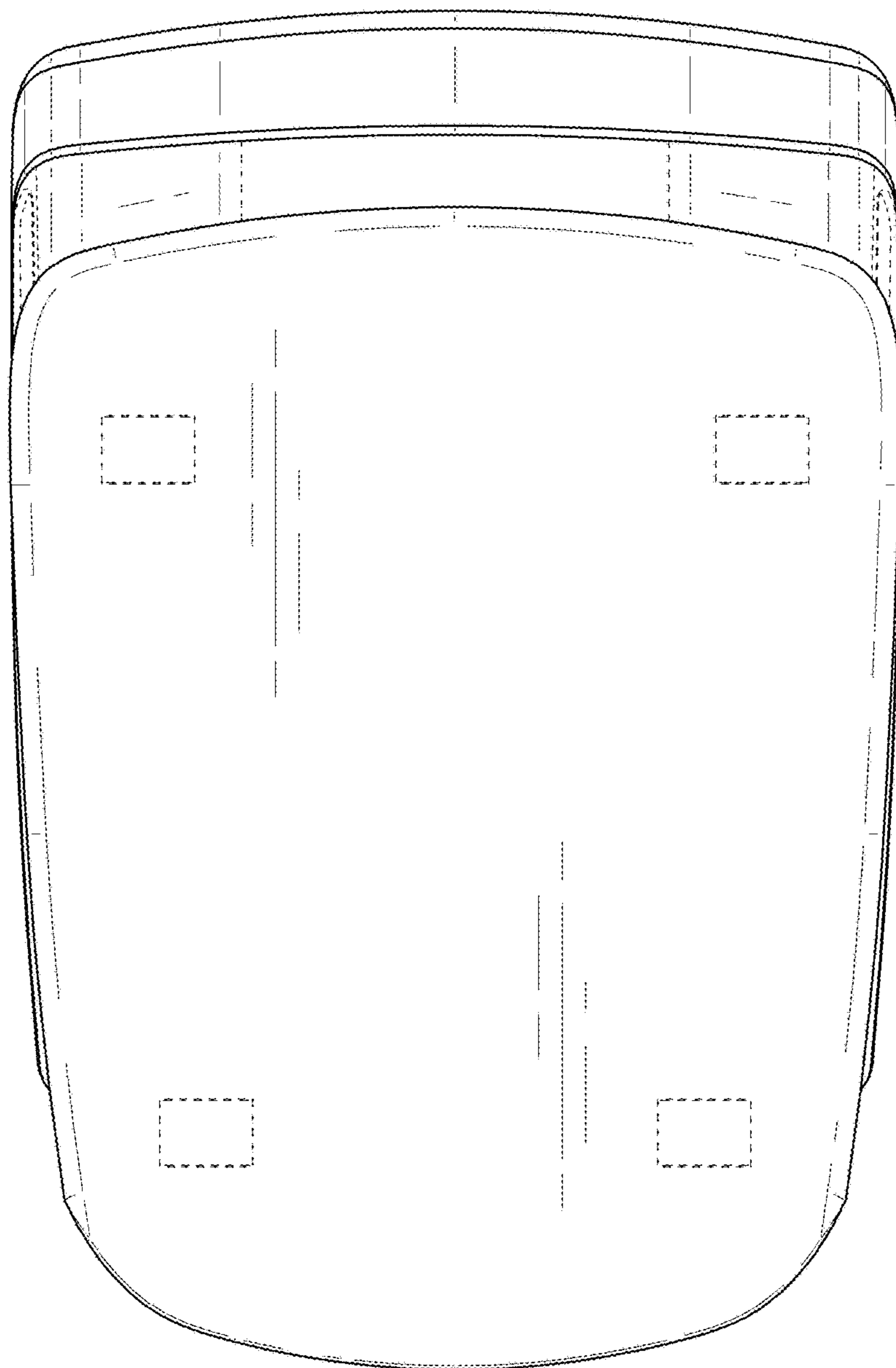


FIG. 8

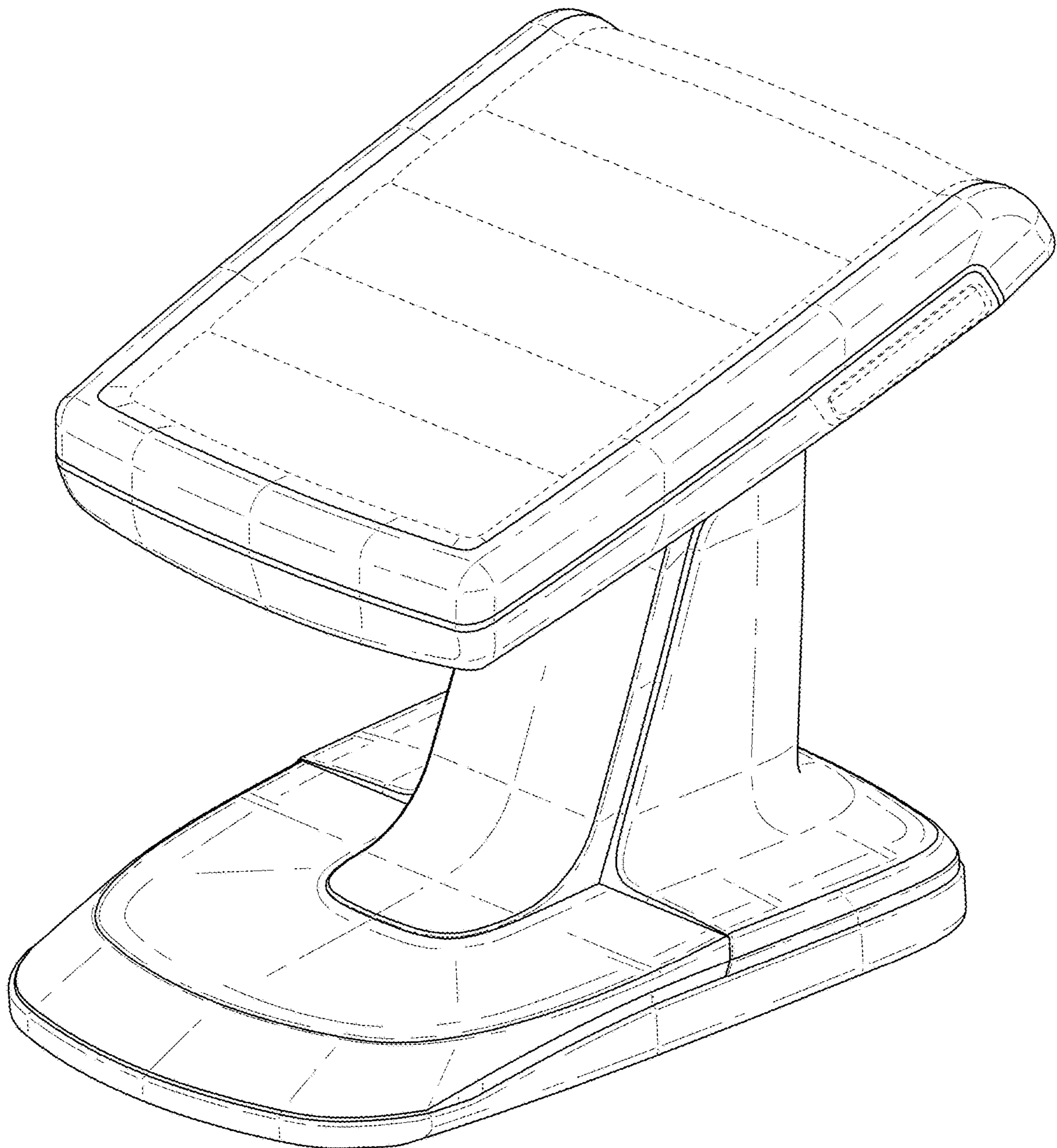


FIG. 9

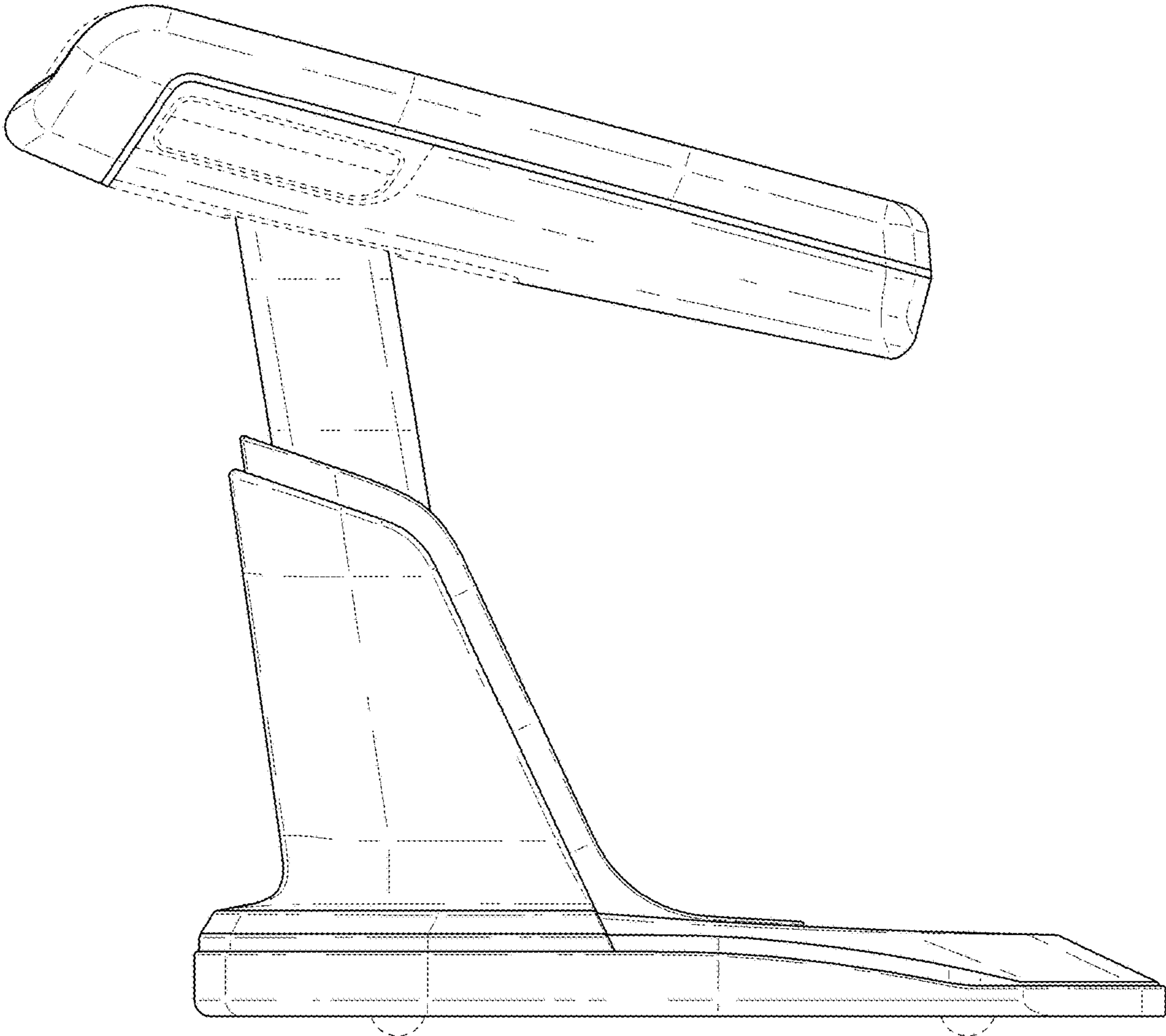


FIG. 10

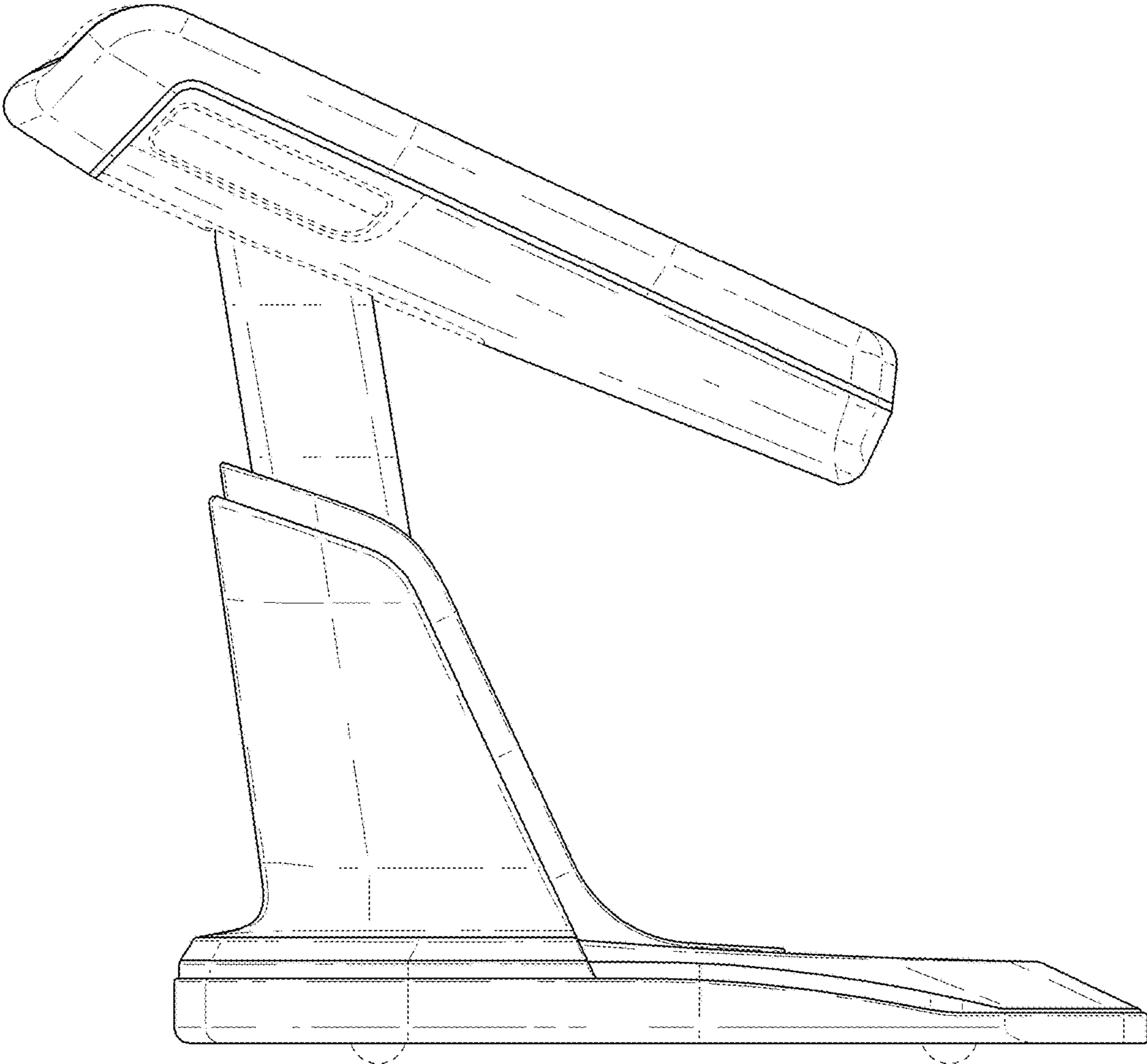


FIG. 11

