

US00D856519S

(12) **United States Design Patent** (10) **Patent No.:** **US D856,519 S**  
**Kim** (45) **Date of Patent:** **\*\* Aug. 13, 2019**

(54) **CHAIR FOR MAGNETIC RESONANCE IMAGING DEVICE**

D474,277 S \* 5/2003 Juni ..... D24/158  
D492,998 S \* 7/2004 Juni ..... D24/158  
D590,188 S \* 4/2009 Tran ..... D6/708.18  
D595,981 S \* 7/2009 Broering ..... D6/367

(71) Applicant: **Samsung Electronics Co., Ltd.**,  
Suwon-si (KR)

(Continued)

(72) Inventor: **Euisik Kim**, Seoul (KR)

FOREIGN PATENT DOCUMENTS

(73) Assignee: **SAMSUNG ELECTRONICS CO., LTD.**, Gyeonggi-Do (KR)

CN 304001108 S 1/2017  
EM 0024469480002 4/2014

(Continued)

(\*\*) Term: **15 Years**

*Primary Examiner* — Anhdao Doan

(21) Appl. No.: **29/644,639**

(74) *Attorney, Agent, or Firm* — Cantor Colburn LLP

(22) Filed: **Apr. 19, 2018**

(57) **CLAIM**

(30) **Foreign Application Priority Data**

The ornamental design for a chair for magnetic resonance imaging device, as shown and described.

Nov. 15, 2017 (KR) ..... 30-2017-0053326

**DESCRIPTION**

(51) **LOC (12) Cl.** ..... **24-01**

(52) **U.S. Cl.**  
USPC ..... **D24/159**; D6/334

(58) **Field of Classification Search**

USPC ..... D24/107, 158–161, 185, 186, 187, 231,  
D24/183, 184; D6/334, 335, 349, 353,  
D6/364, 708, 708.17, 708.18, 708.21  
CPC .. A61B 6/03; A61B 6/035; A61B 5/05; A61B  
5/055; A61B 6/04; A61B 6/0407; G01N  
2223/1013; G01N 2223/1016; A61N  
2005/1054; A61N 2005/1055; A61N  
2005/1074; A61G 13/1235; A61G  
2210/50; A61F 5/3723; A61F 5/3761  
See application file for complete search history.

FIG. 1 is a front perspective view of a chair for magnetic resonance imaging (“MRI”) device, showing my new design;

FIG. 2 is a front view thereof;  
FIG. 3 is a rear view thereof;  
FIG. 4 is a left side view thereof;  
FIG. 5 is a right side view thereof;  
FIG. 6 is a top view thereof;  
FIG. 7 is a bottom view thereof.  
FIG. 8 is a rear perspective view thereof;  
FIG. 9 is another front perspective view thereof, in a reclined position; and,  
FIG. 10 is another front perspective view thereof showing an environment of use, in which a seat, a headrest and an armrest are shown.

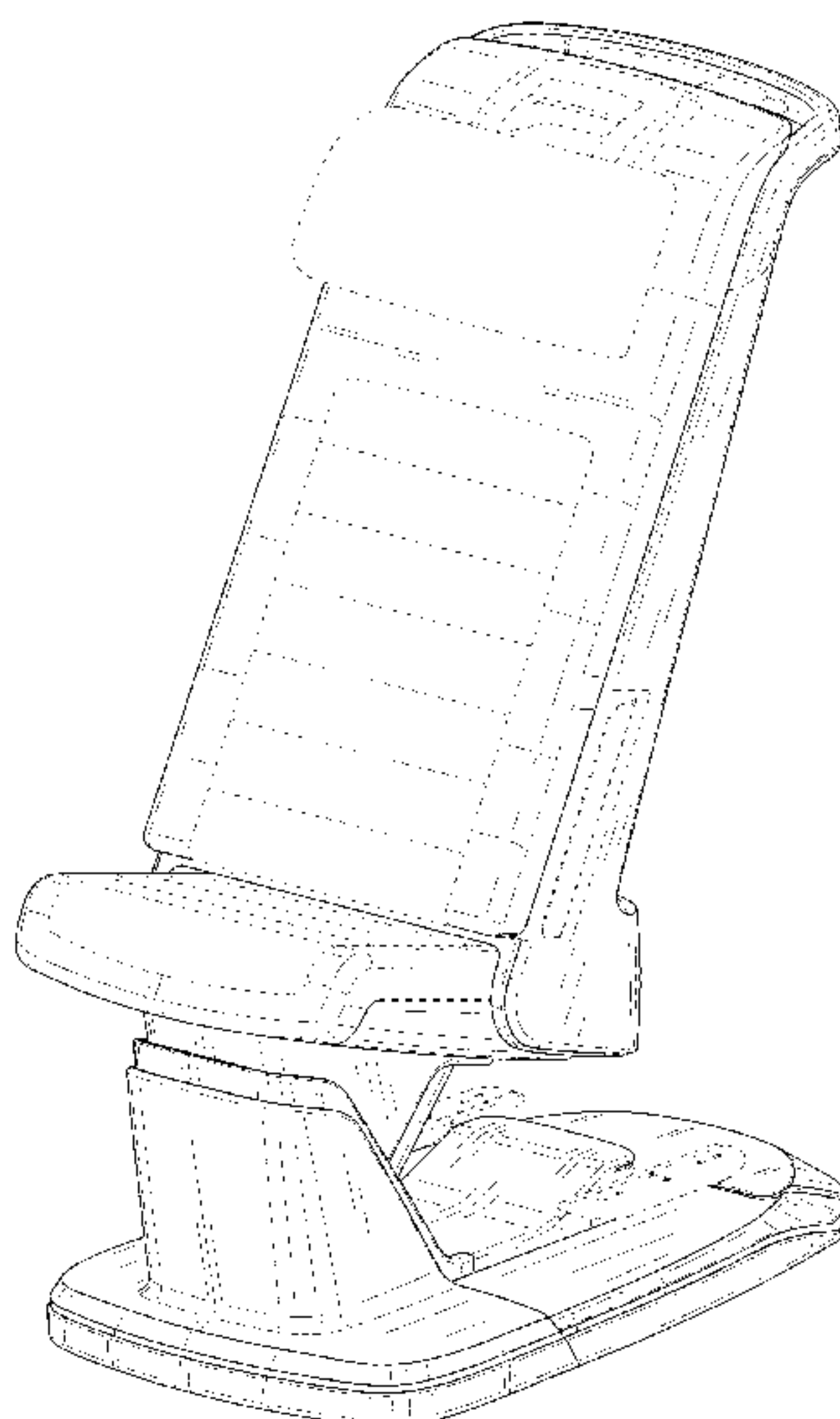
(56) **References Cited**

U.S. PATENT DOCUMENTS

D255,077 S \* 5/1980 Garza ..... D6/708.17  
D351,742 S \* 10/1994 Phleps ..... D24/183  
D354,177 S \* 1/1995 Schwaegerle ..... D24/183  
D462,189 S \* 9/2002 Brockway ..... D6/367

The broken lines illustrating portions of the chair for MRI device form no part of the claimed design. The broken lines illustrating the seat, the headrest and the armrest in FIG. 10 are for environmental purposes only and form no part of the claimed design.

**1 Claim, 10 Drawing Sheets**



(56)

**References Cited**

U.S. PATENT DOCUMENTS

D678,686 S \* 3/2013 Mizuno ..... D6/335  
D824,032 S \* 7/2018 Poulsen ..... D24/159  
2015/0135441 A1\* 5/2015 Sommer ..... A61G 13/0036  
5/613

FOREIGN PATENT DOCUMENTS

EM 0024613840001 5/2014  
EM 0033391420006 8/2016

\* cited by examiner

FIG. 1

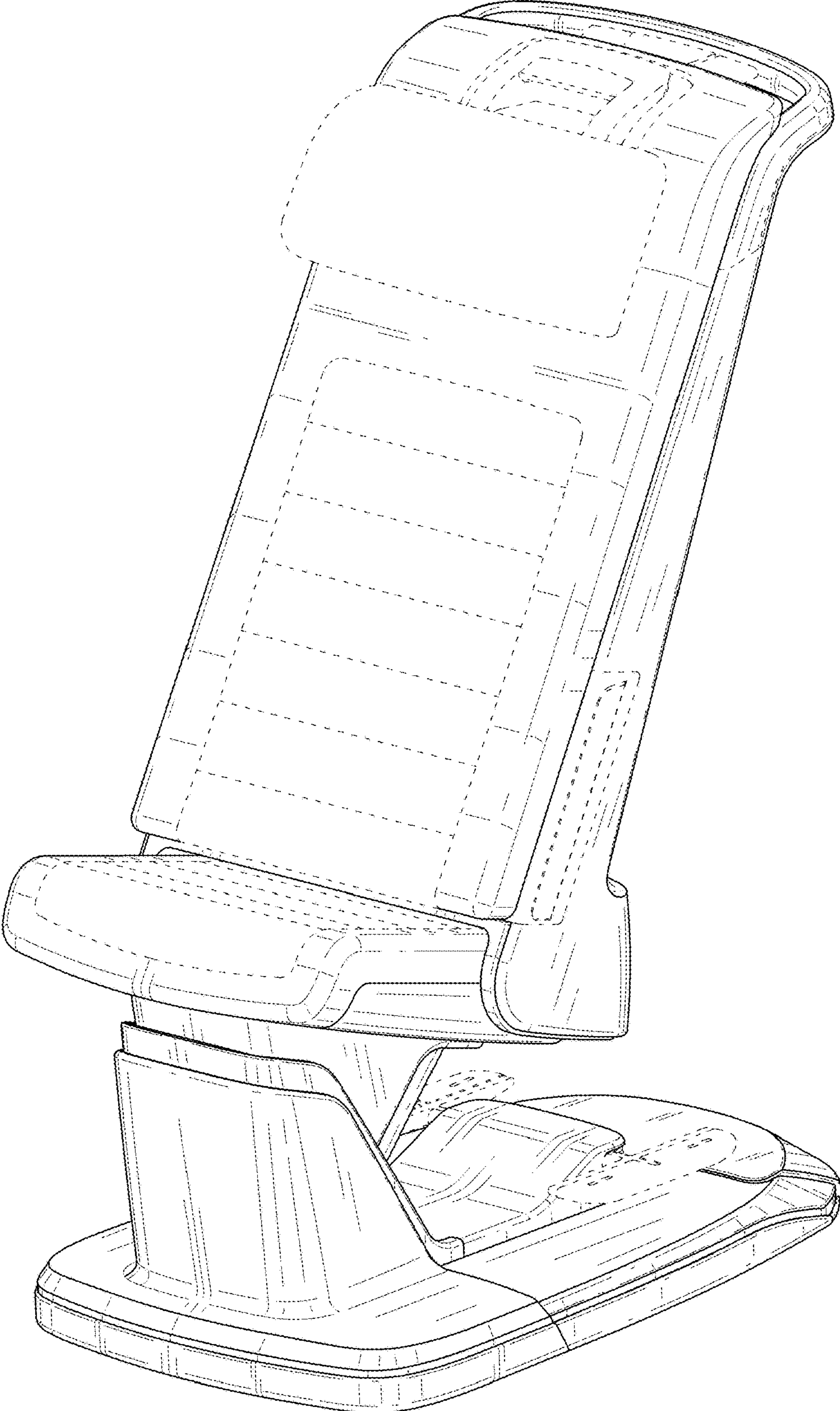


FIG. 2

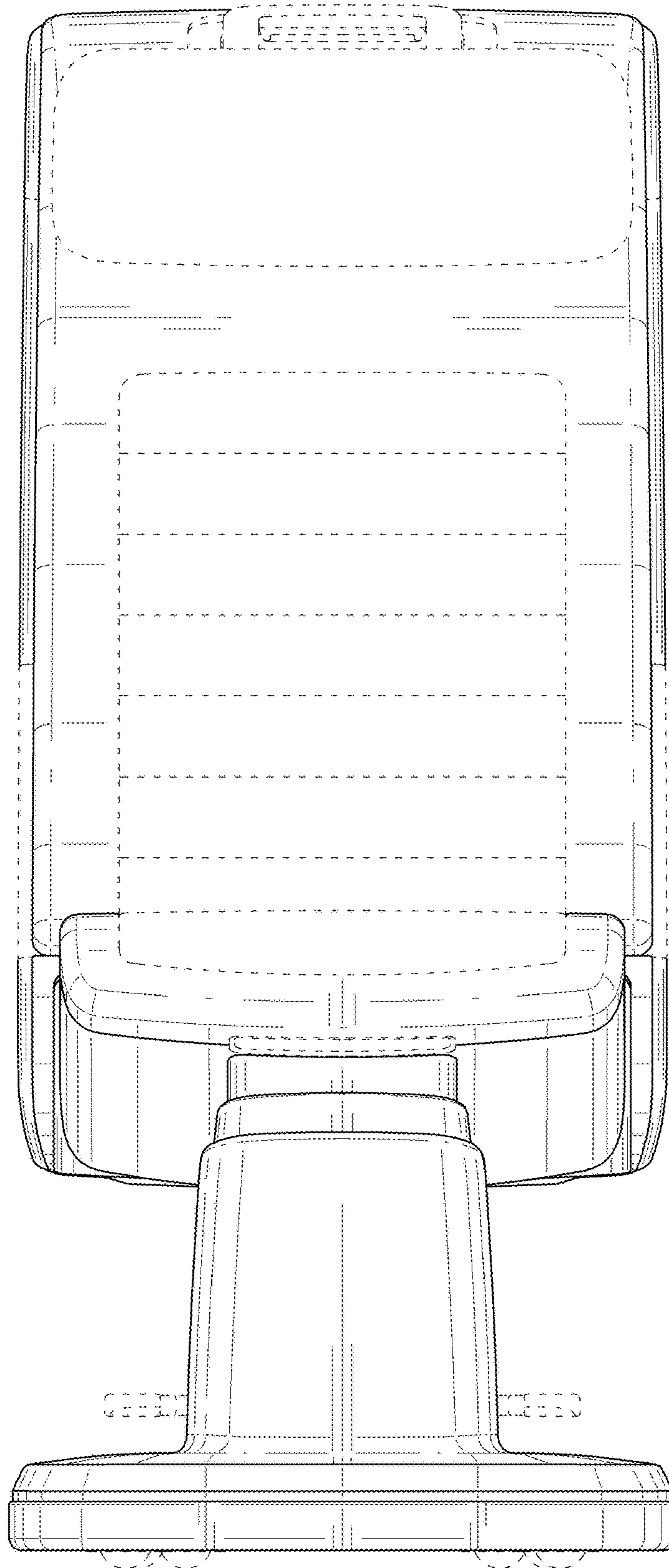




FIG. 3

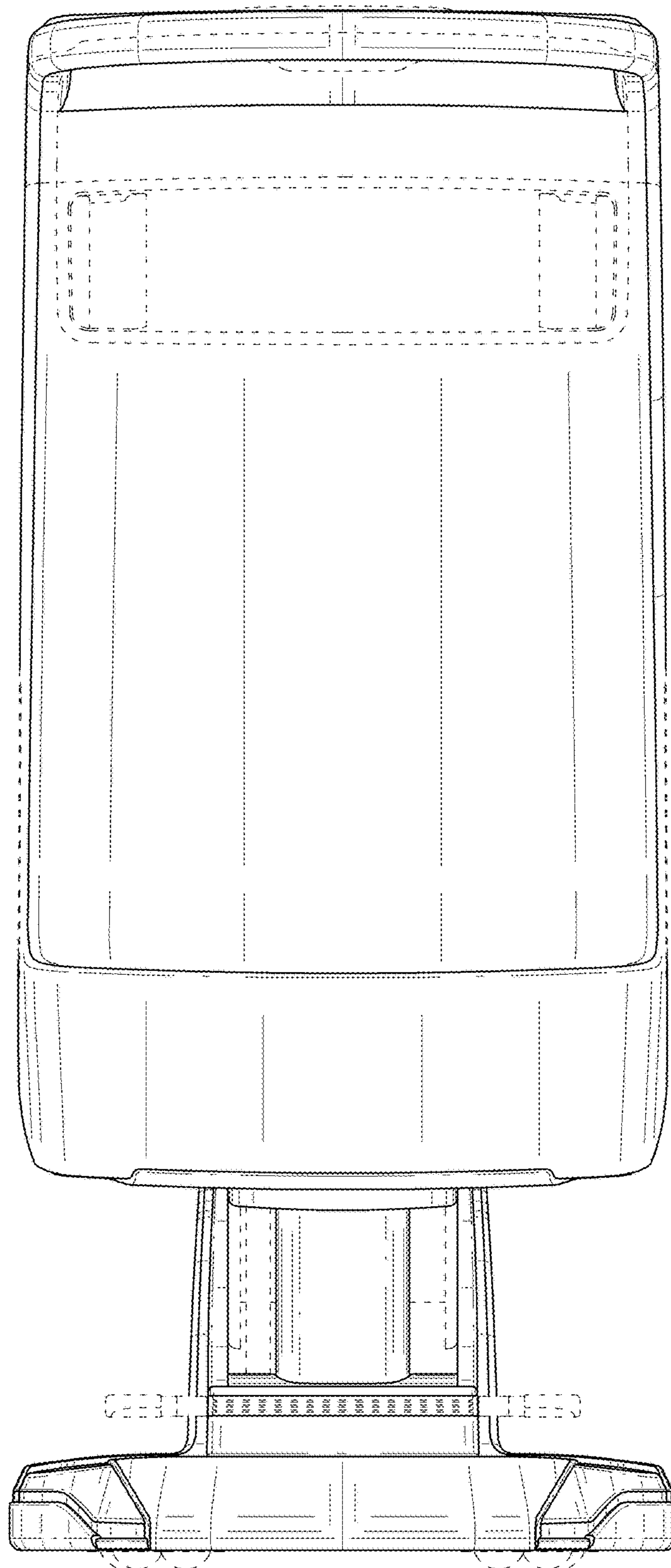


FIG. 4

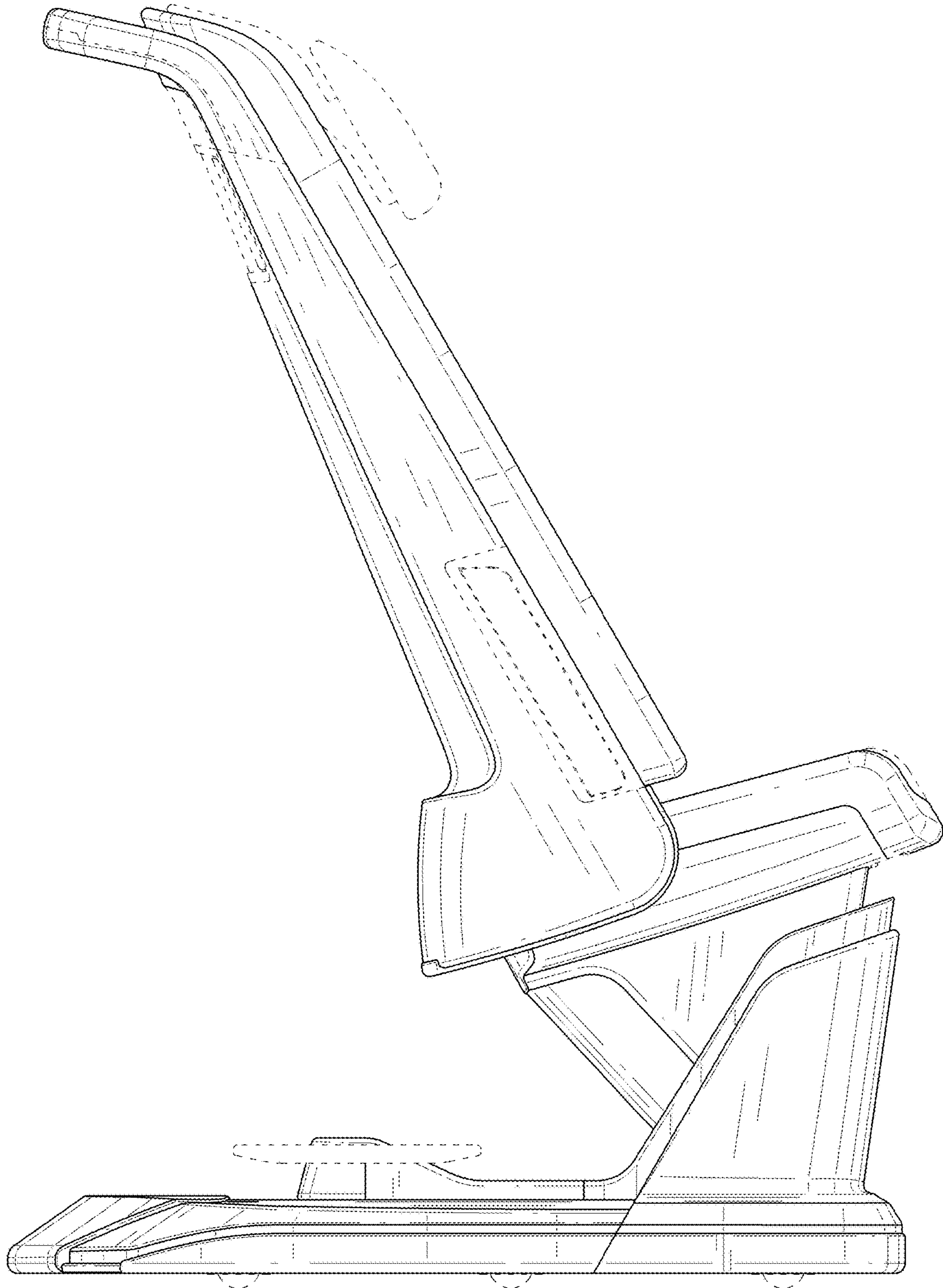


FIG. 5

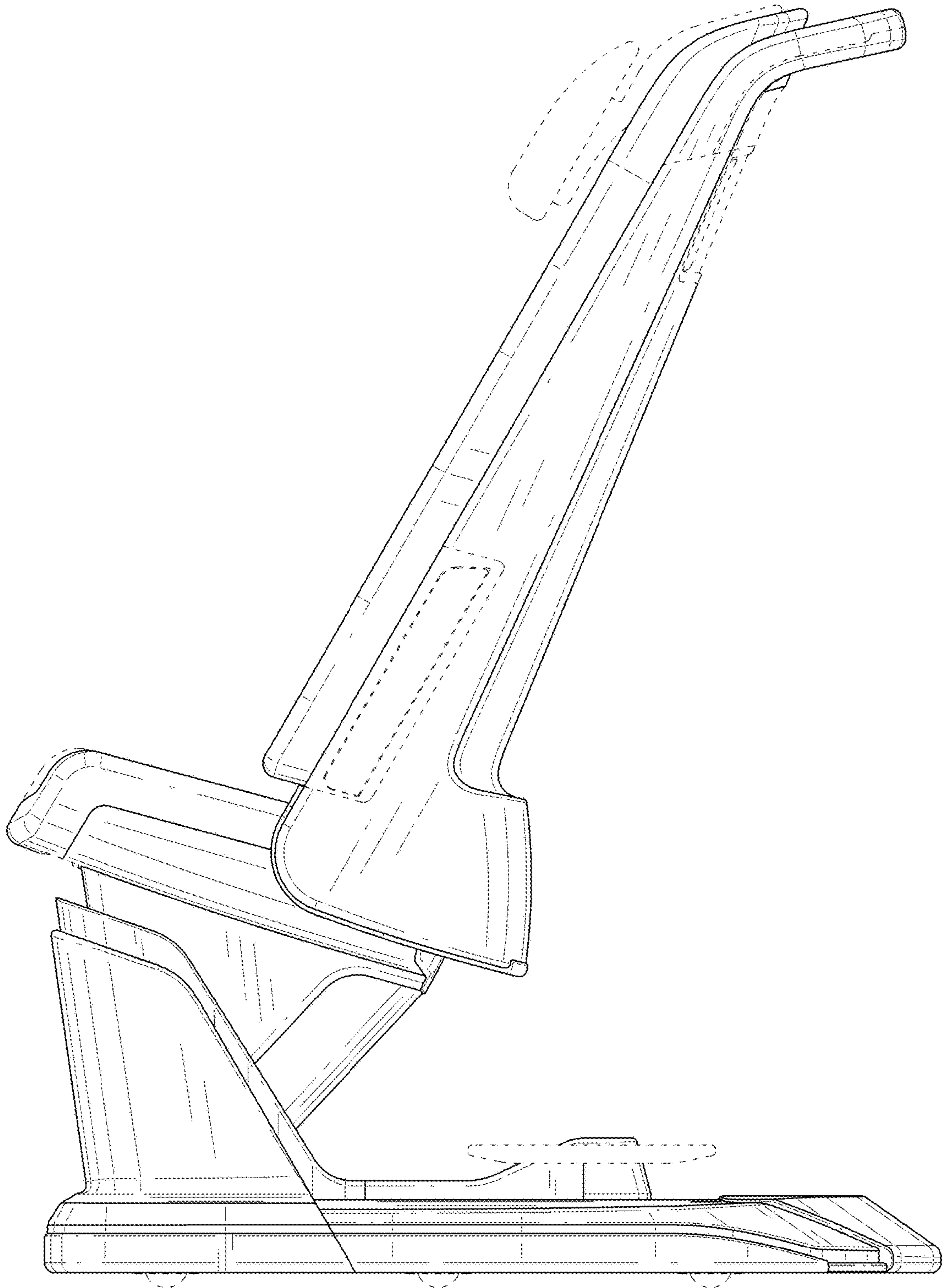


FIG. 6

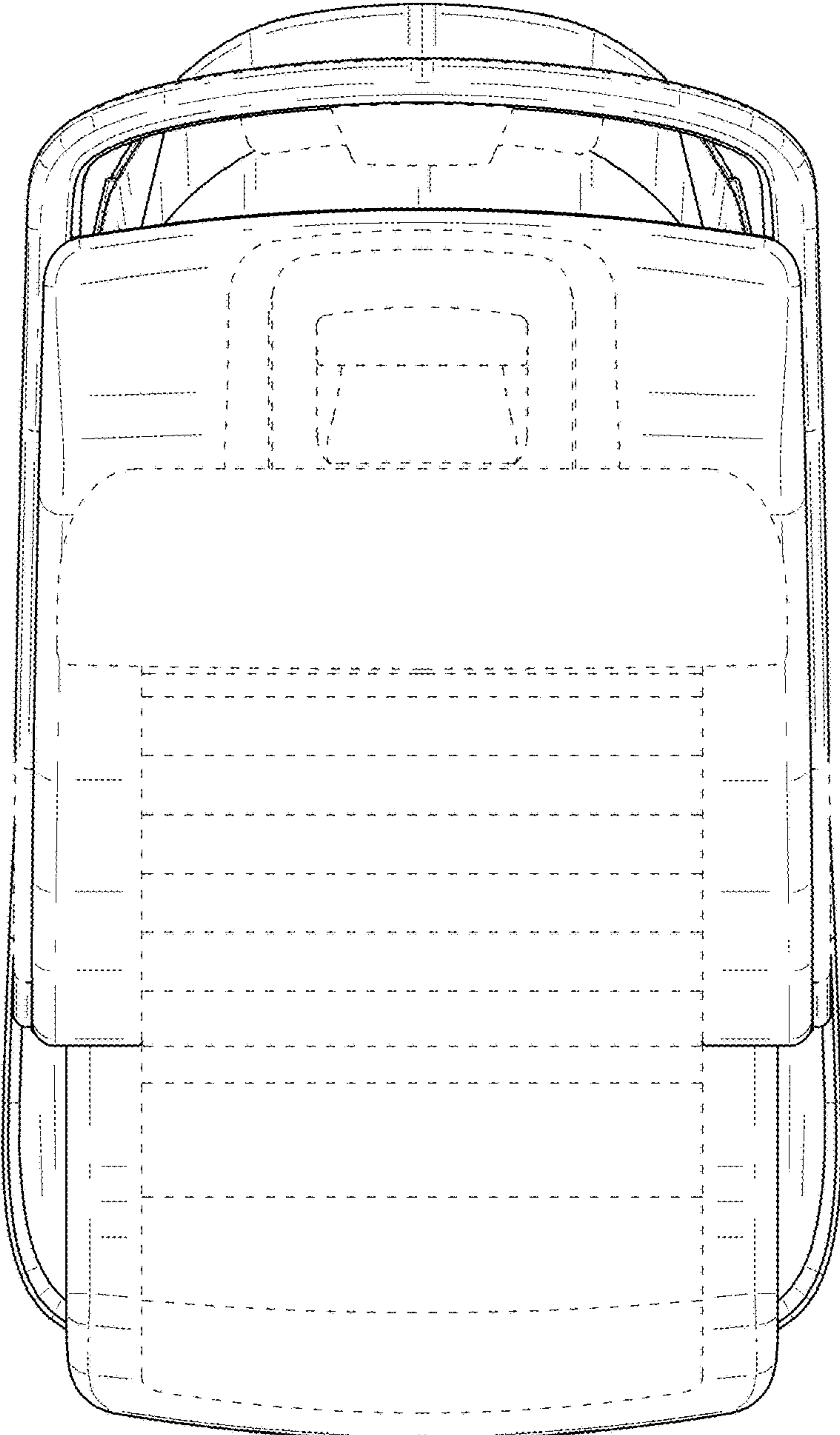




FIG. 7

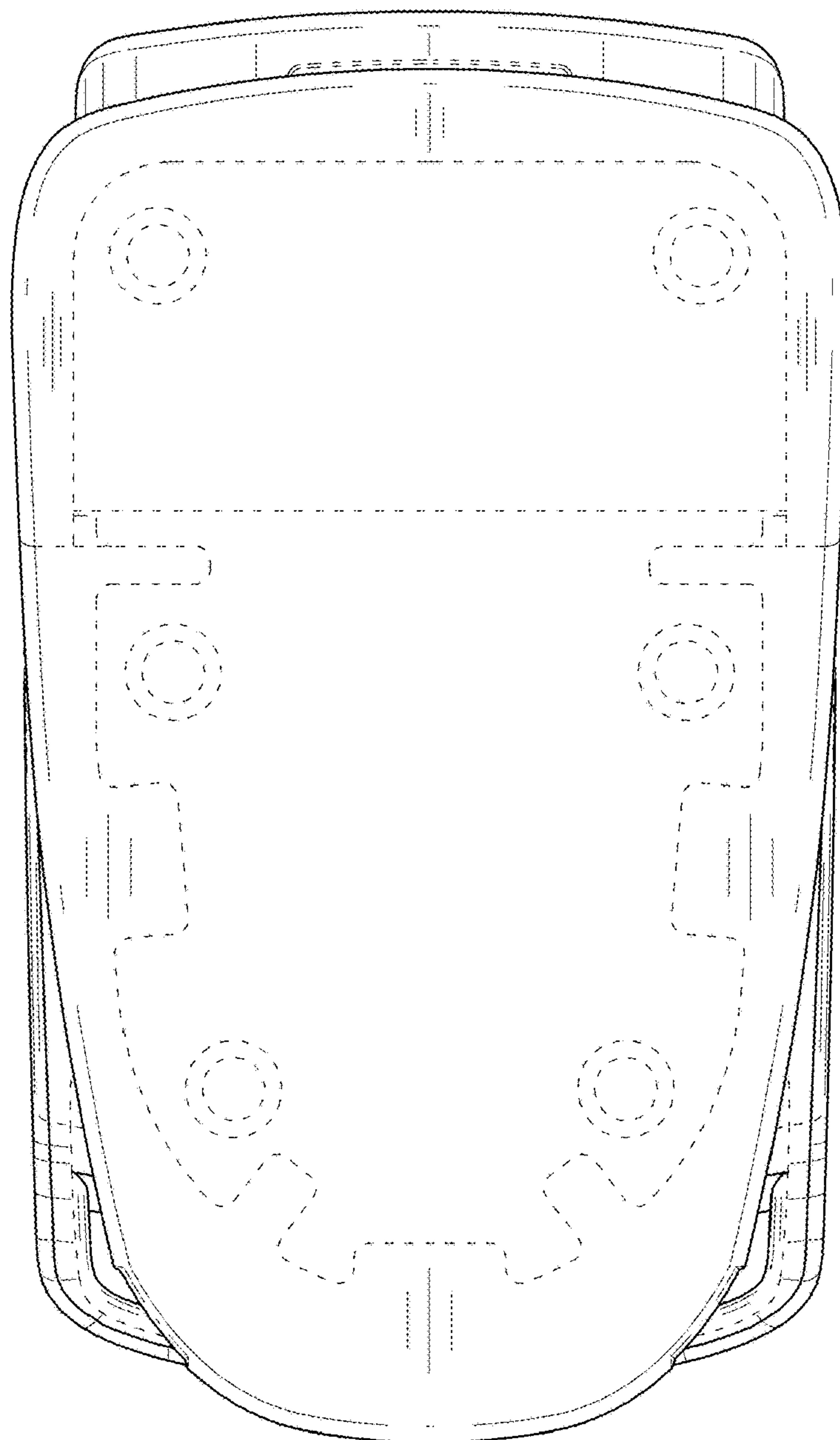


FIG. 8

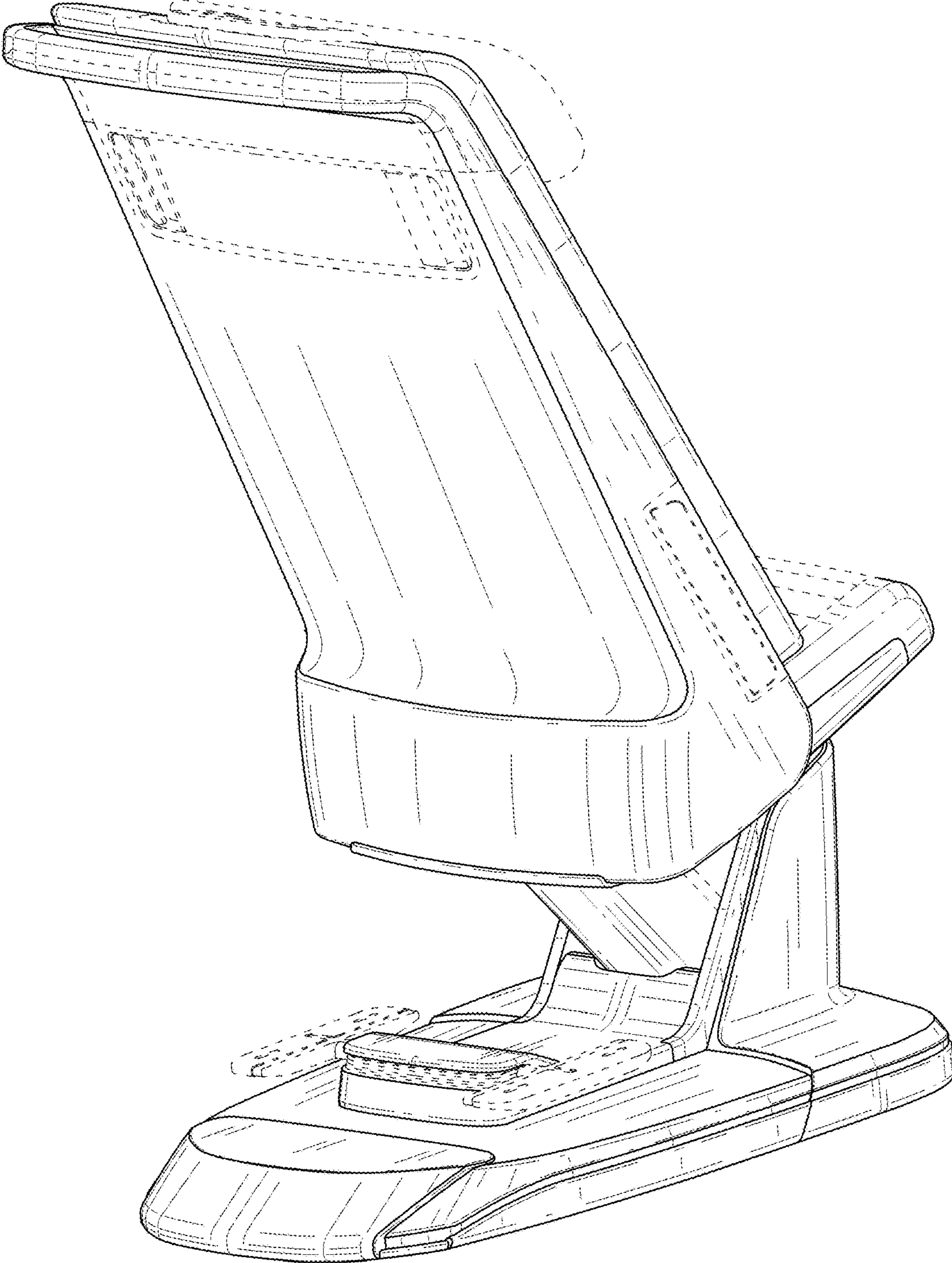


FIG. 9

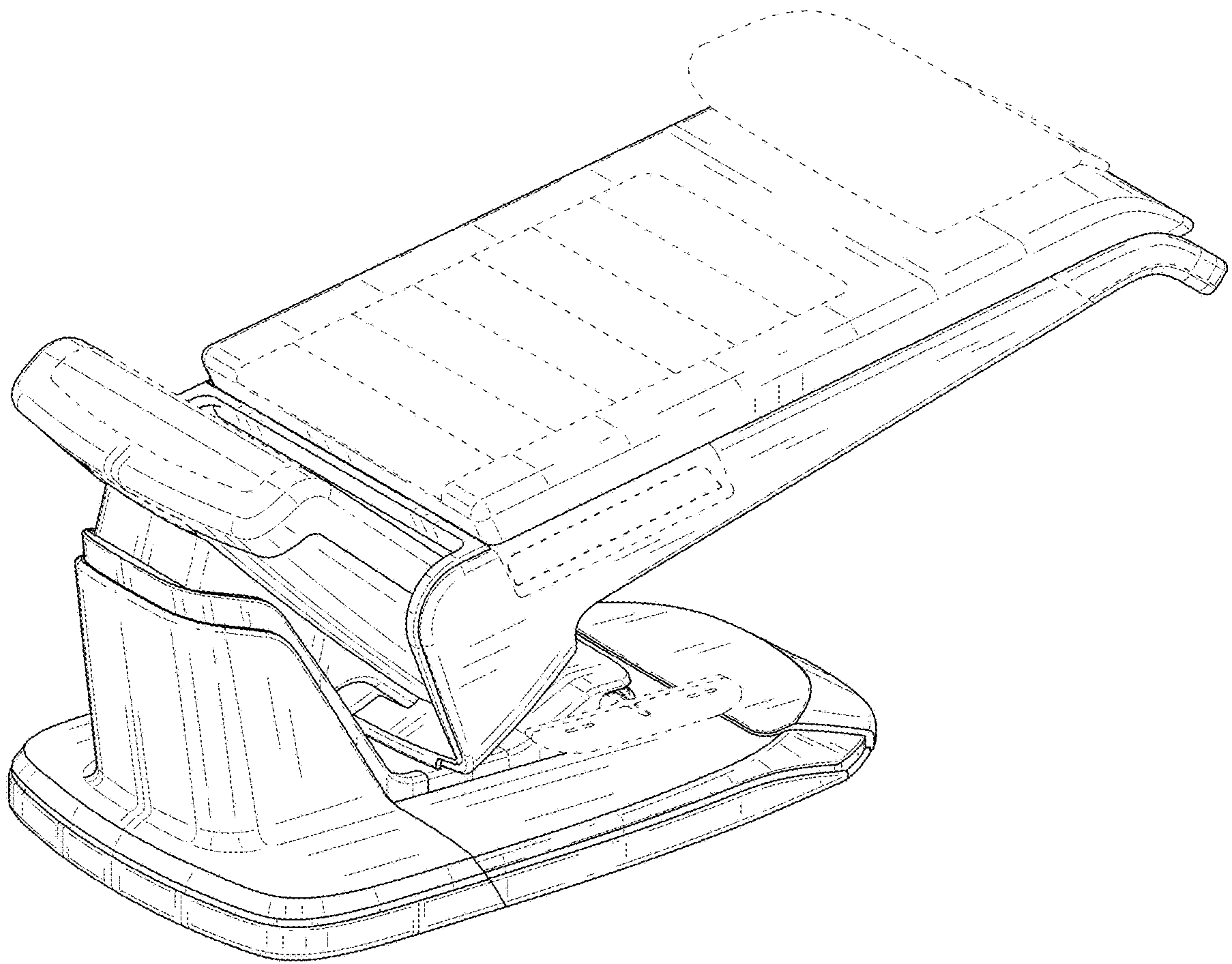


FIG. 10

