



US00D856518S

(12) **United States Design Patent** (10) **Patent No.:** **US D856,518 S**
Dacus (45) **Date of Patent:** **** Aug. 13, 2019**

(54) **POROUS BASEPLATE**
(71) Applicant: **Joint Development, LLC**, Salt Lake City, UT (US)
(72) Inventor: **Eric M. Dacus**, Salt Lake City, UT (US)
(73) Assignee: **Joint Development, LLC**, Salt Lake City, UT (US)

D358,211 S * 5/1995 Cohen D24/155
D358,647 S * 5/1995 Cohen D24/155
D369,863 S * 5/1996 Hayes D24/155
D373,825 S * 9/1996 Hayes D24/155
D626,234 S * 10/2010 Otto D24/155
8,715,359 B2 * 5/2014 Deffenbaugh A61F 2/389
623/20.14
D744,103 S * 11/2015 Irwin D24/155
D745,158 S * 12/2015 Irwin D24/155
D781,422 S * 3/2017 Hahn D24/155
2011/0106268 A1 * 5/2011 Deffenbaugh A61F 2/389
623/20.32

(**) Term: **15 Years**

* cited by examiner

(21) Appl. No.: **29/635,218**

Primary Examiner — Charles D Hanson

(22) Filed: **Jan. 29, 2018**

(74) *Attorney, Agent, or Firm* — Lowry Blixseth APC;
Scott M. Lowry

(51) **LOC (12) Cl.** **24-03**

(57) **CLAIM**

(52) **U.S. Cl.**
USPC **D24/155**

The ornamental design for a porous baseplate, as shown and described.

(58) **Field of Classification Search**
USPC D24/155–157
CPC A61F 2/4081; A61F 2/40; A61F
2002/30878; A61F 2002/30884; A61F
2002/30881; A61F 2002/30897; A61F
2002/30112
See application file for complete search history.

DESCRIPTION

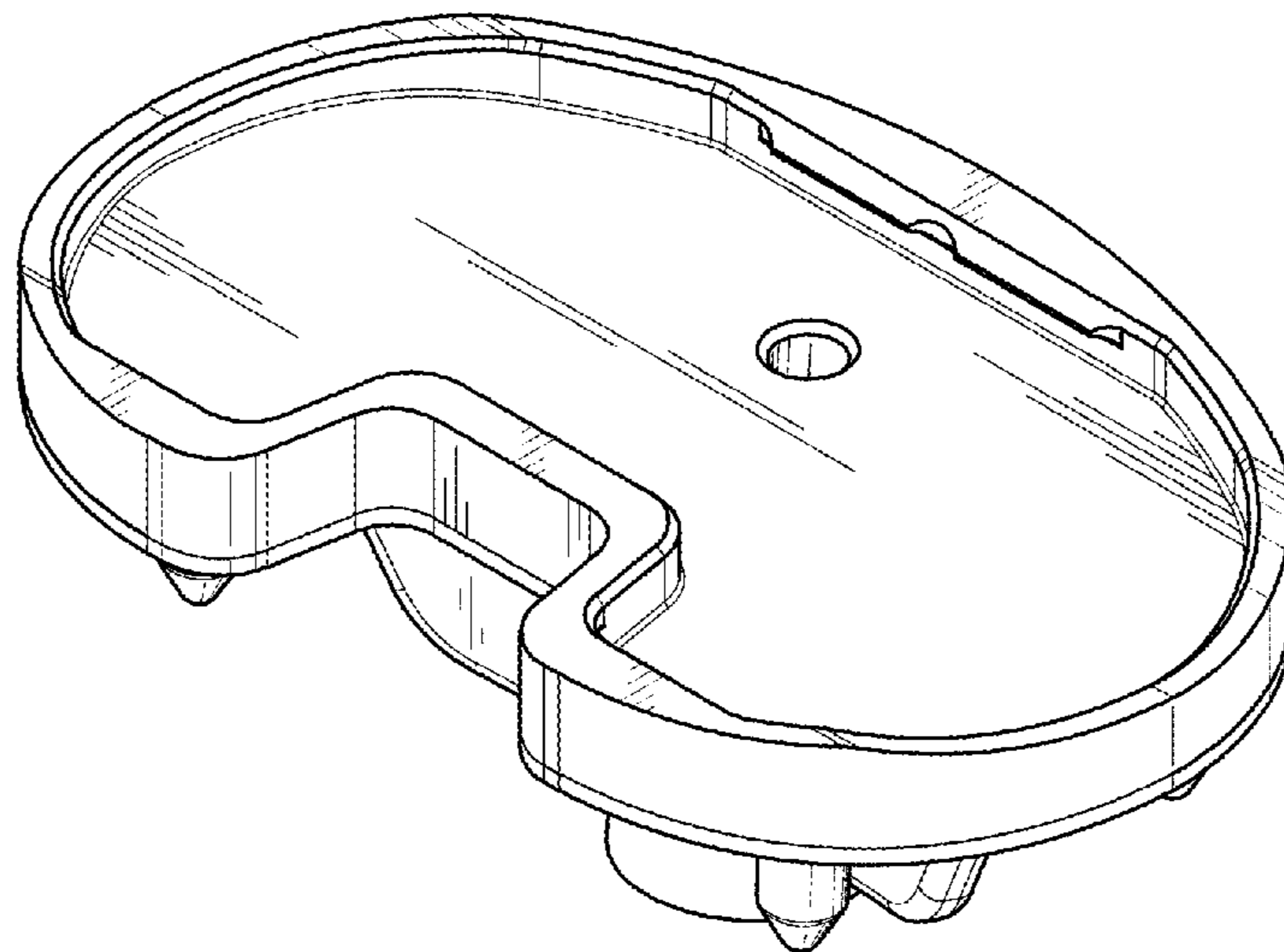
(56) **References Cited**

U.S. PATENT DOCUMENTS

D326,156 S * 5/1992 Martinez D24/155
5,137,536 A * 8/1992 Koshino A61F 2/3886
623/20.34
D346,218 S * 4/1994 White D24/133

FIG. 1 is a perspective view showing the rear, top and left sides of the porous baseplate;
FIG. 2 is a perspective view showing the front, bottom and right sides of the porous baseplate;
FIG. 3 is a rear elevation view of the porous baseplate;
FIG. 4 is a front elevation view of the porous baseplate;
FIG. 5 is a left side elevation view of the porous baseplate, the right side elevation view being a mirror image thereof;
FIG. 6 is a top plan view of the porous baseplate; and,
FIG. 7 is a bottom plan view of the porous baseplate.

1 Claim, 5 Drawing Sheets



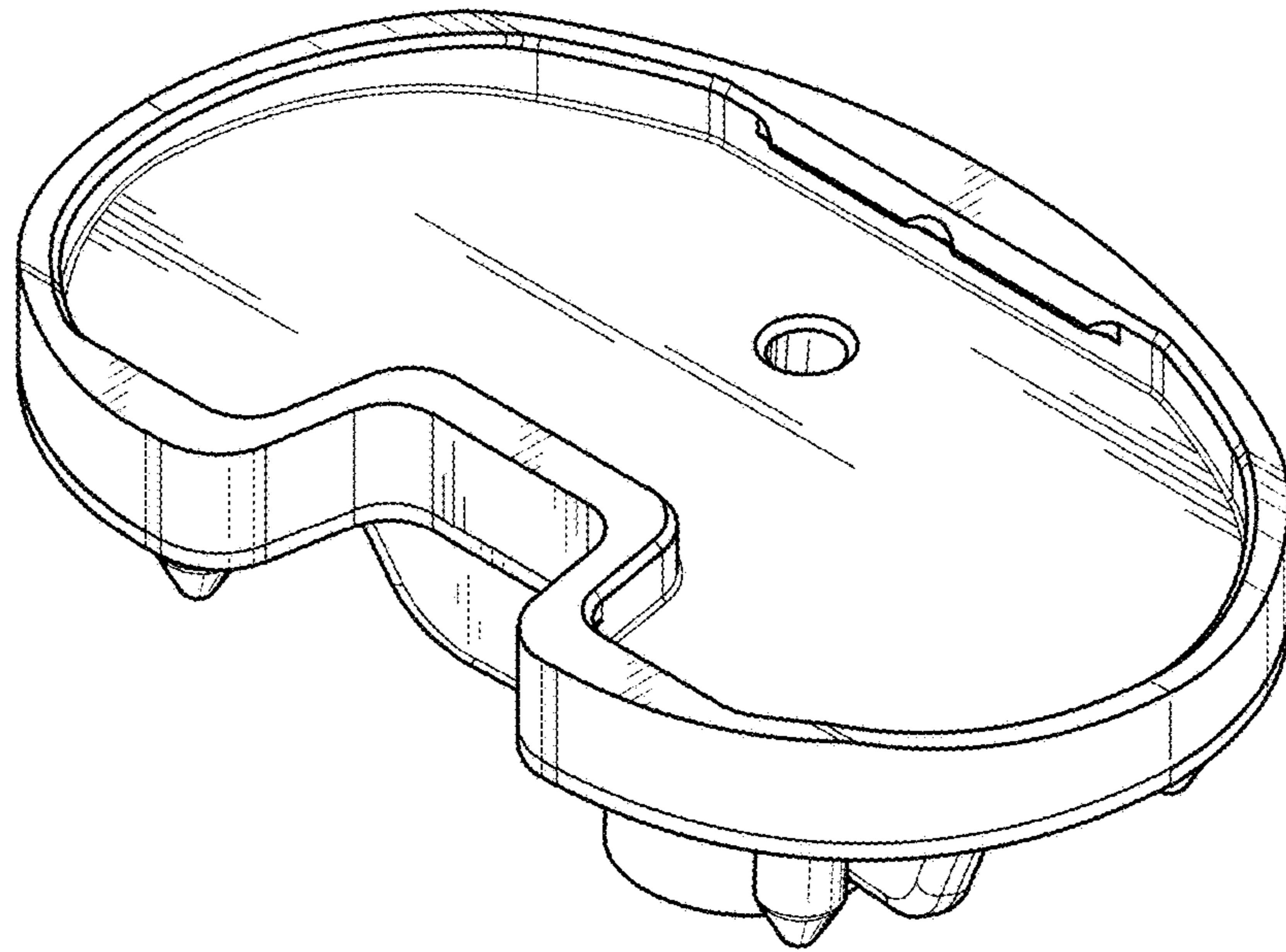


FIG. 1

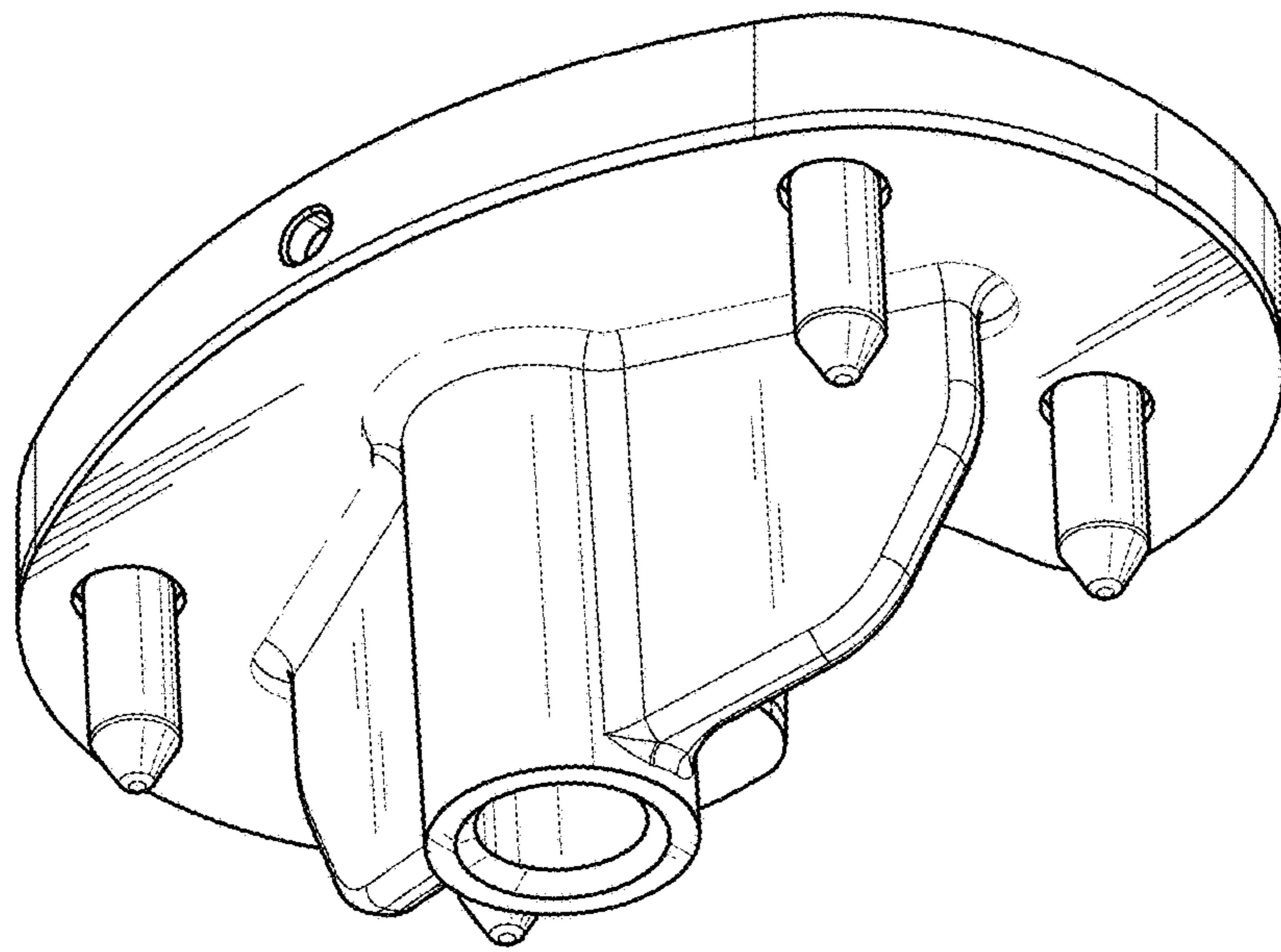


FIG. 2

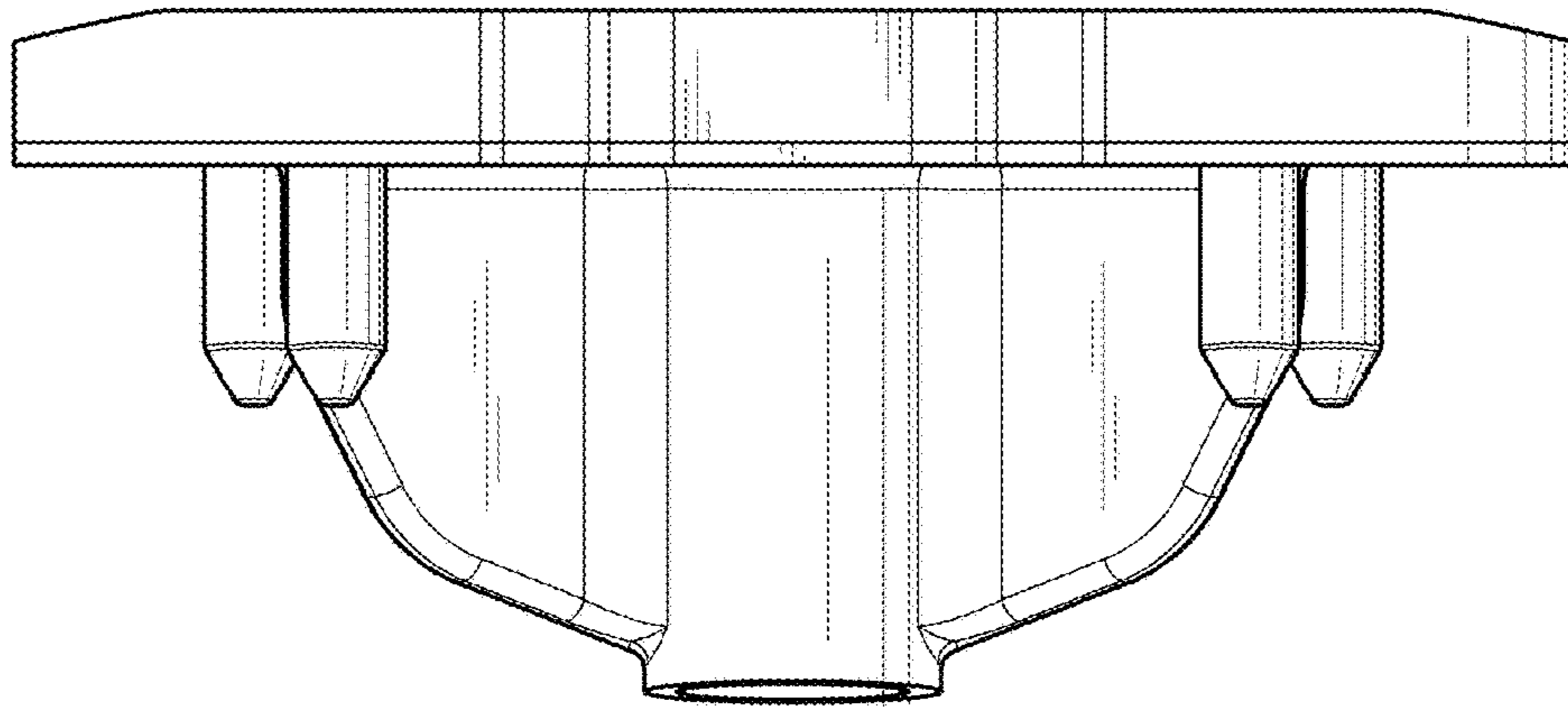


FIG. 3

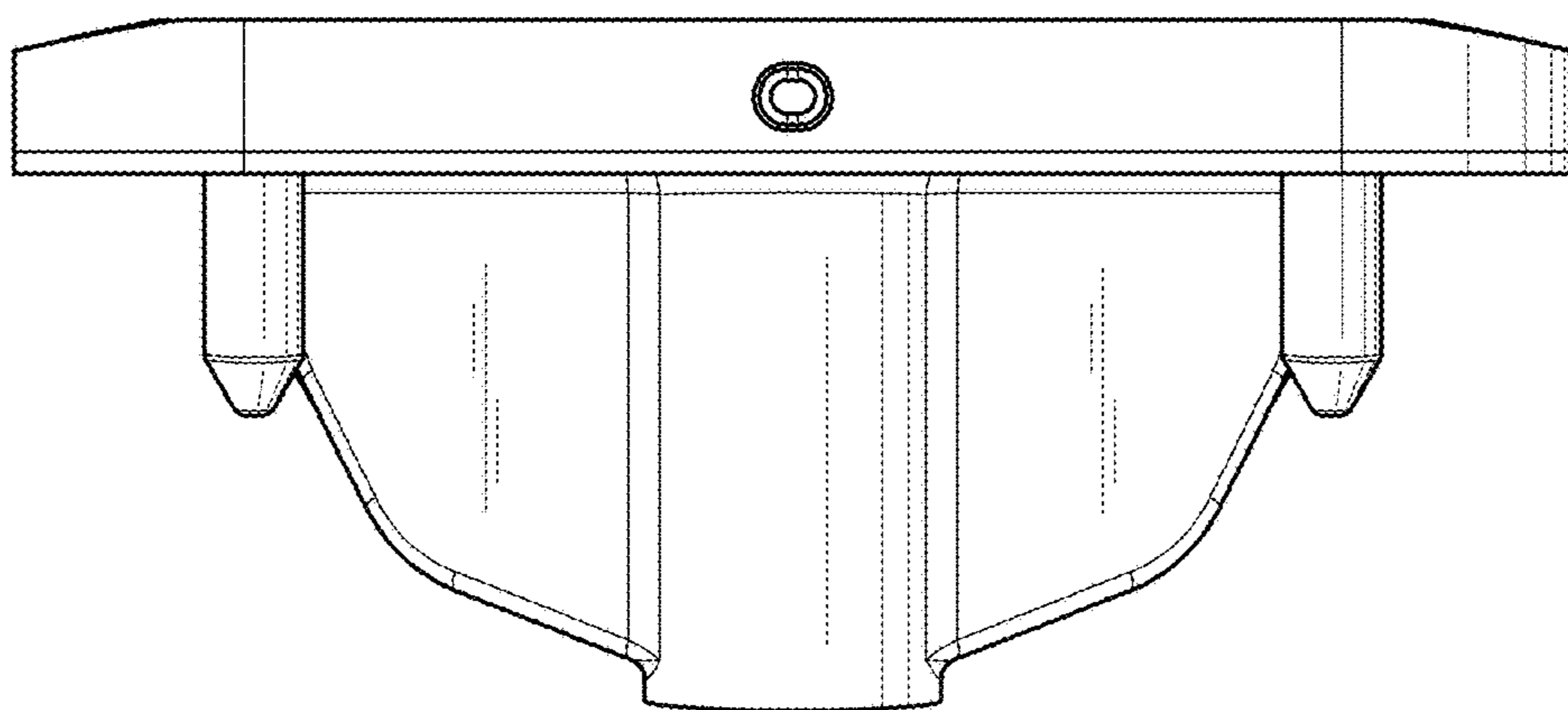


FIG. 4

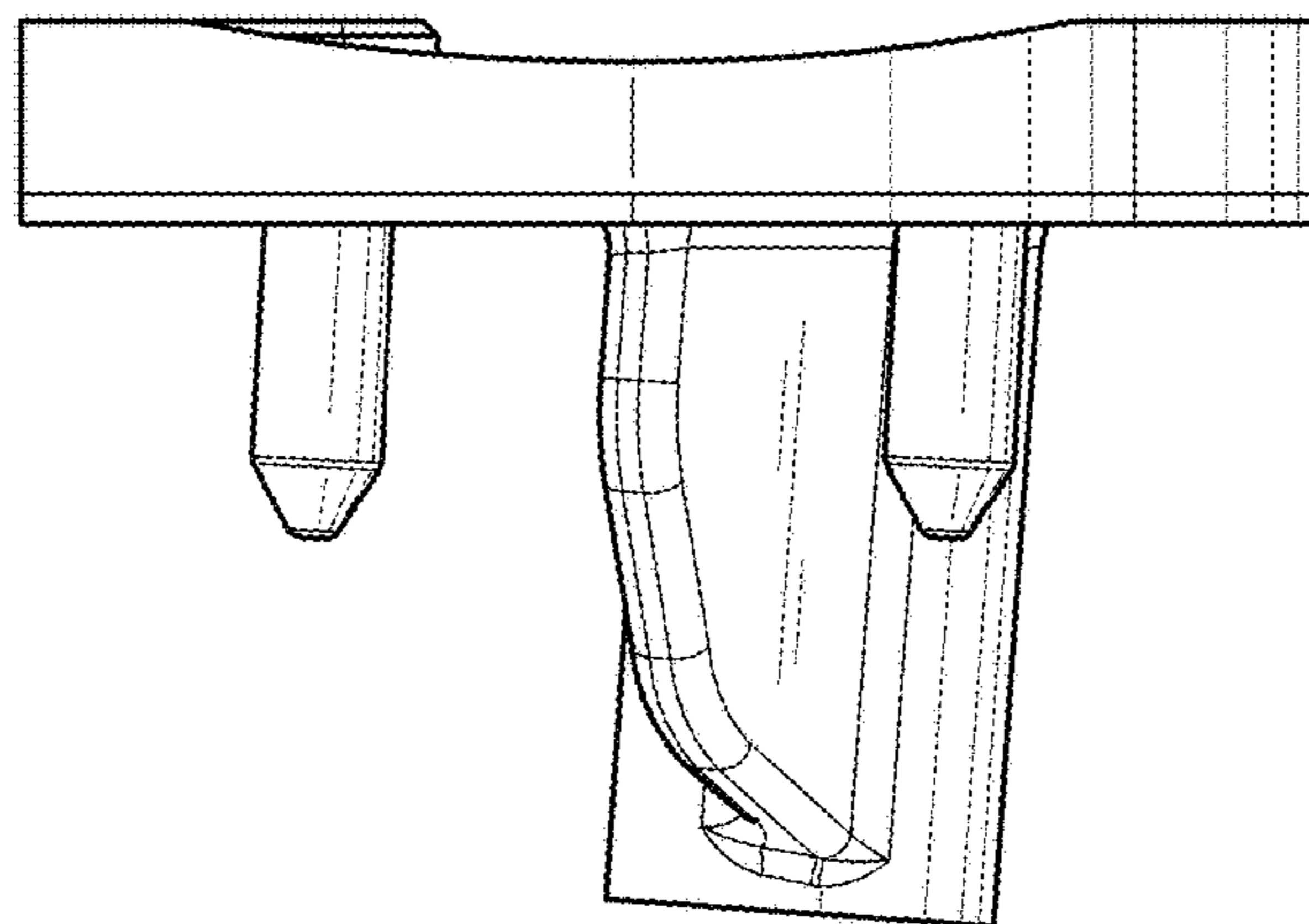


FIG. 5

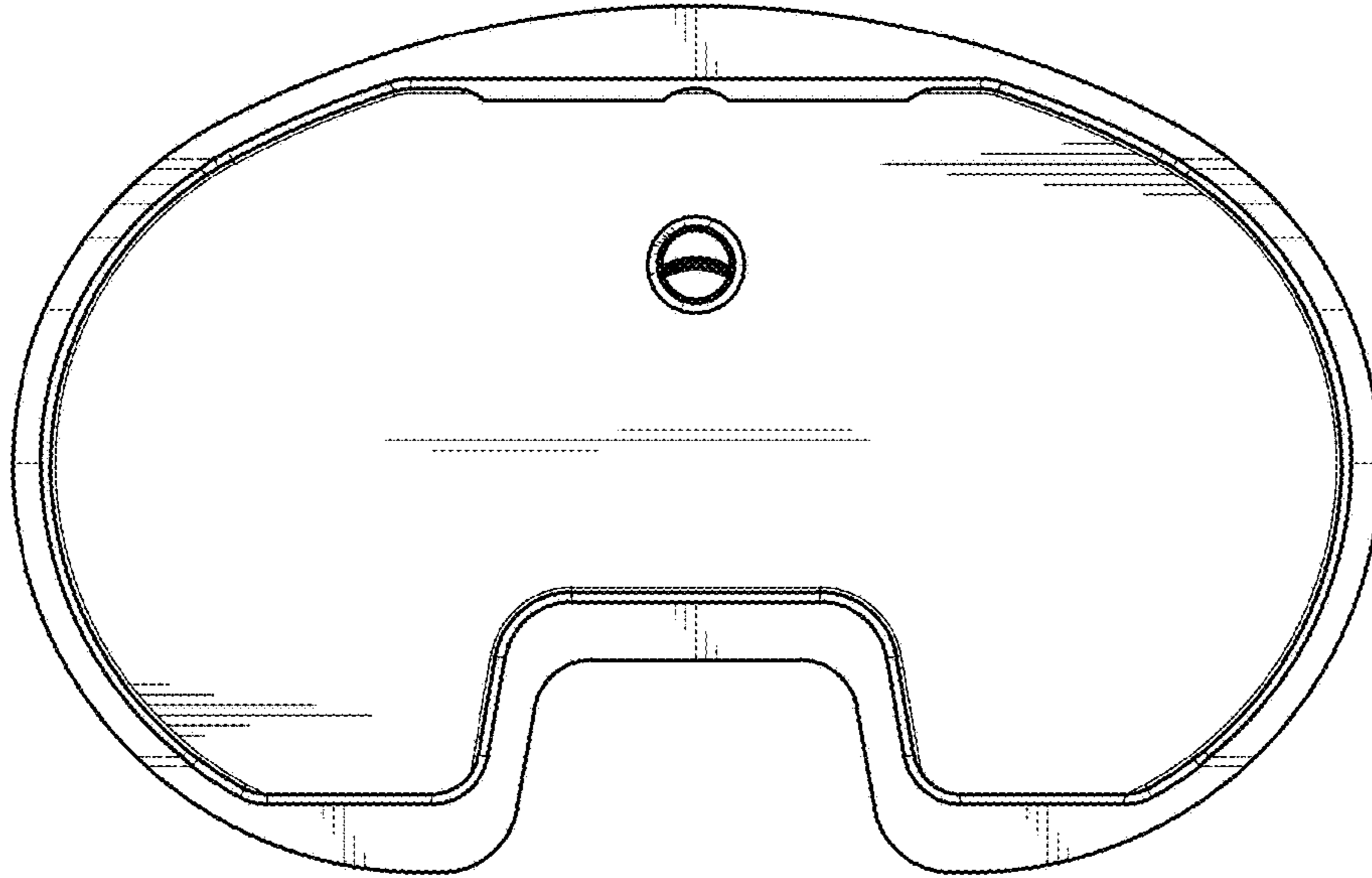


FIG. 6

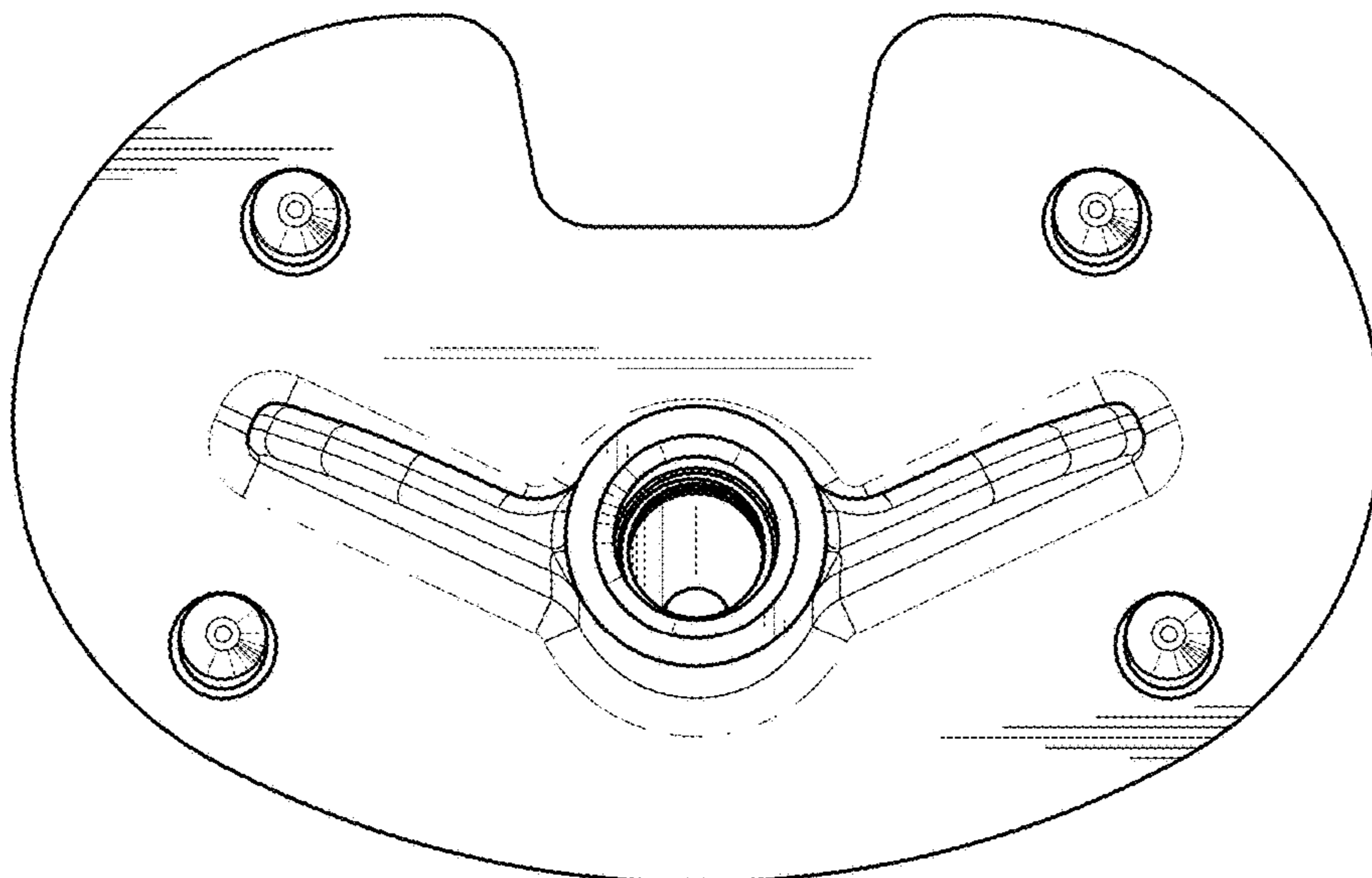


FIG. 7