



US00D856516S

(12) **United States Design Patent** (10) **Patent No.:** **US D856,516 S**
Swoish et al. (45) **Date of Patent:** **** Aug. 13, 2019**

(54) **SURGICAL BLADE LOADER**

OTHER PUBLICATIONS

- (71) Applicant: **Aspen Surgical Products, Inc.**,
Caledonia, MI (US)
- (72) Inventors: **Murray Swoish**, Batesville, IN (US);
Alexander Boelkins, Grand Rapids, MI (US)
- (73) Assignee: **Aspen Surgical Products, Inc.**,
Caledonia, MI (US)
- (**) Term: **15 Years**
- (21) Appl. No.: **29/666,933**
- (22) Filed: **Oct. 17, 2018**

Aspensurgical. Link: <https://www.aspensurgical.com/files/resources/bard-parker-plus-blade-with-loader-brochure-m-sm-c-2.pdf>. Visited Feb. 26, 2019. Bard Parker plus blade with loader brochure. (Year: 2019).*

(Continued)

Primary Examiner — Susan Bennett Hattan
Assistant Examiner — Lauren D McVey
(74) *Attorney, Agent, or Firm* — Price Heneveld LLP

(57) **CLAIM**

The ornamental design for a surgical blade loader, as shown and described.

DESCRIPTION

FIG. 1 is a front perspective view of a surgical blade loader showing our new design in a first position; FIG. 2 is a rear elevation view thereof; FIG. 3 is a front elevation view thereof; FIG. 4 is a right side elevation view thereof; FIG. 5 is a left side elevation view thereof; FIG. 6 is a top plan view thereof; FIG. 7 is a bottom plan view thereof; FIG. 8 is a front perspective view of the surgical blade loader showing our new design in a second position; FIG. 9 is a front elevation view thereof; FIG. 10 is a rear elevation view thereof; FIG. 11 is a left side elevation view thereof; FIG. 12 is a right side elevation view thereof; FIG. 13 is a bottom plan view thereof; and, FIG. 14 is a top plan view thereof.

The dot-dash broken lines and evenly spaced broken lines immediately adjacent to the shaded areas depict the bounds of the claimed design while all other broken lines are directed to environment and are for illustrative purposes only; the broken lines form no part of the claimed design. The “Bard-Parker” lettering and icon forming part of the claimed design is a registered trademark of ASPEN SURGICAL PRODUCTS, INC.

Related U.S. Application Data

- (62) Division of application No. 29/616,243, filed on Sep. 5, 2017, now Pat. No. Des. 831,826.
- (51) **LOC (12) Cl.** **24-02**
- (52) **U.S. Cl.**
USPC **D24/147**
- (58) **Field of Classification Search**
USPC D24/147, 133, 135, 137, 138, 171, 140,
D24/141, 144, 145, 146
(Continued)

(56) **References Cited**

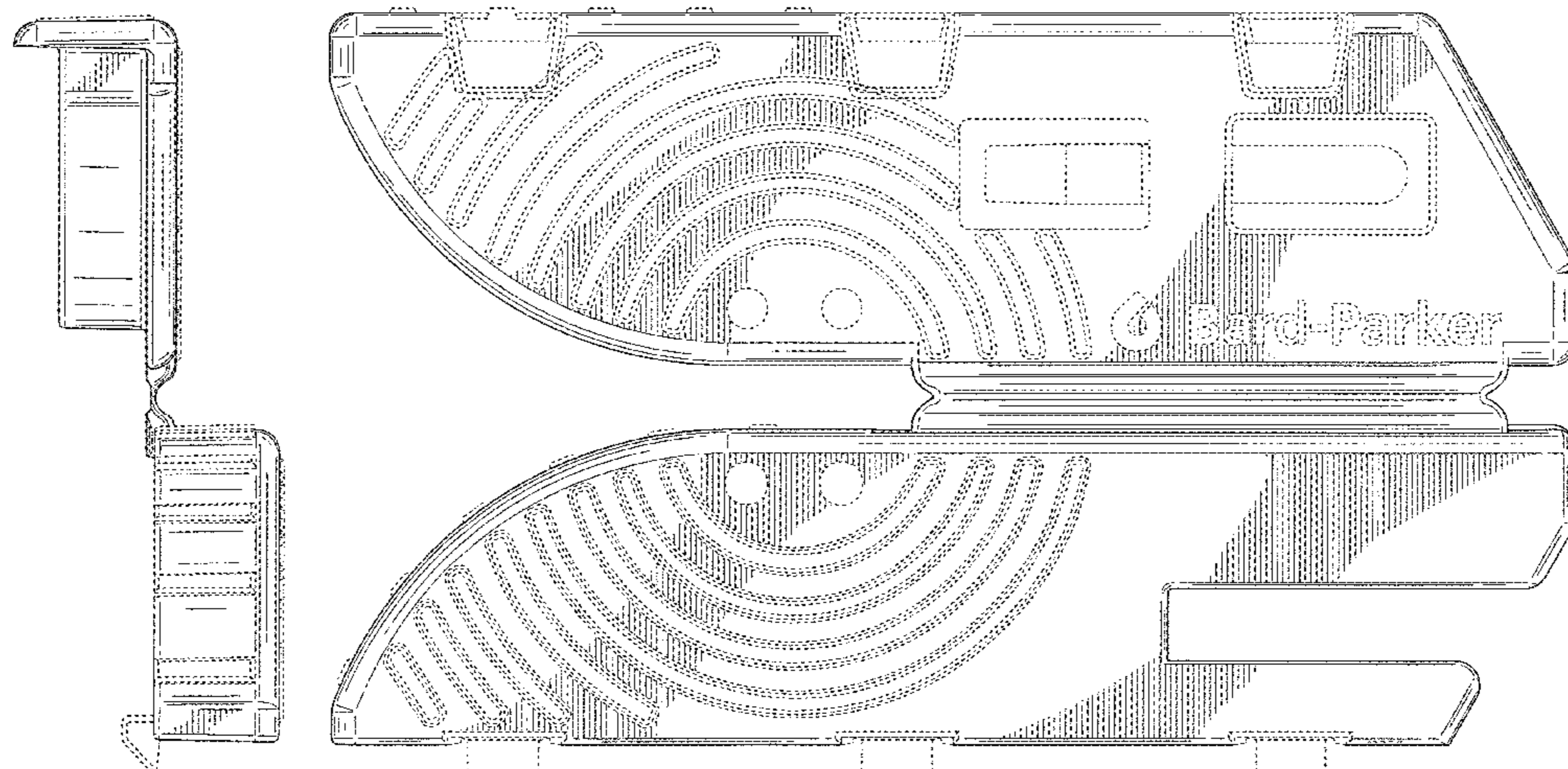
U.S. PATENT DOCUMENTS

- 4,180,162 A 12/1979 Magney
- D311,675 S * 10/1990 Wilson D8/98
(Continued)

FOREIGN PATENT DOCUMENTS

- CA 2800645 A1 1/2012
- EP 2915495 A1 9/2015
(Continued)

1 Claim, 10 Drawing Sheets



(58) **Field of Classification Search**

CPC A61B 17/3211; A61B 17/32113; A61B 17/32116; A61B 17/3213; A61B 17/3215; A61B 17/32

See application file for complete search history.

(56) **References Cited**

U.S. PATENT DOCUMENTS

4,998,334 A 3/1991 Pemberton et al.
 D346,730 S * 5/1994 Quiros D8/99
 D352,882 S * 11/1994 Schmidt D8/107
 5,363,958 A 11/1994 Horan
 5,433,321 A 7/1995 Abidin et al.
 D383,963 S * 9/1997 Gold D8/99
 5,686,771 A 11/1997 Ishizuka et al.
 5,727,682 A 3/1998 Abidin et al.
 5,875,532 A 3/1999 Musgrave et al.
 5,938,027 A 8/1999 Soroff et al.
 6,216,868 B1 4/2001 Rastegar et al.
 D473,121 S * 4/2003 Eads D8/98
 D473,649 S 4/2003 Howell et al.
 D475,135 S 5/2003 Howell et al.
 D482,122 S 11/2003 Cohn et al.
 D482,449 S 11/2003 Cohn et al.
 D489,457 S 5/2004 Cohn et al.
 D490,154 S 5/2004 Howell et al.
 7,036,660 B1 5/2006 Abidin et al.
 7,087,067 B2 * 8/2006 Kehr A61B 17/3213
 30/136.5

7,155,795 B2 1/2007 Abidin et al.
 D561,898 S 2/2008 Goto
 8,931,181 B2 1/2015 Milton et al.
 9,101,388 B2 8/2015 Yi et al.
 9,113,946 B2 8/2015 Hajgato et al.
 9,636,141 B2 * 5/2017 Shi A61B 17/3217
 9,839,442 B2 * 12/2017 Shi A61B 17/3217
 D831,826 S * 10/2018 Swoish D24/147
 2002/0143352 A1 10/2002 Newman et al.
 2006/0212058 A1 * 9/2006 Djordjevic A61B 17/3213
 606/167
 2010/0063522 A1 * 3/2010 Reaux A61B 17/3213
 606/167
 2016/0249947 A1 * 9/2016 Castanon A61B 17/3211
 606/167
 2017/0265882 A1 9/2017 Austria et al.

FOREIGN PATENT DOCUMENTS

WO WO-9627336 A1 * 9/1996 A61B 17/3211
 WO 2014036926 A1 3/2013
 WO 2018030954 A1 2/2018
 WO WO-2018030954 A1 * 2/2018 A61B 17/3211

OTHER PUBLICATIONS

Youtube. <URL: <https://www.youtube.com/watch?v=7Z03jl5ZtAY>>
 Mar. 12, 2015. Aspen Surgical I Bard-Parker® Safety Blade System.

* cited by examiner

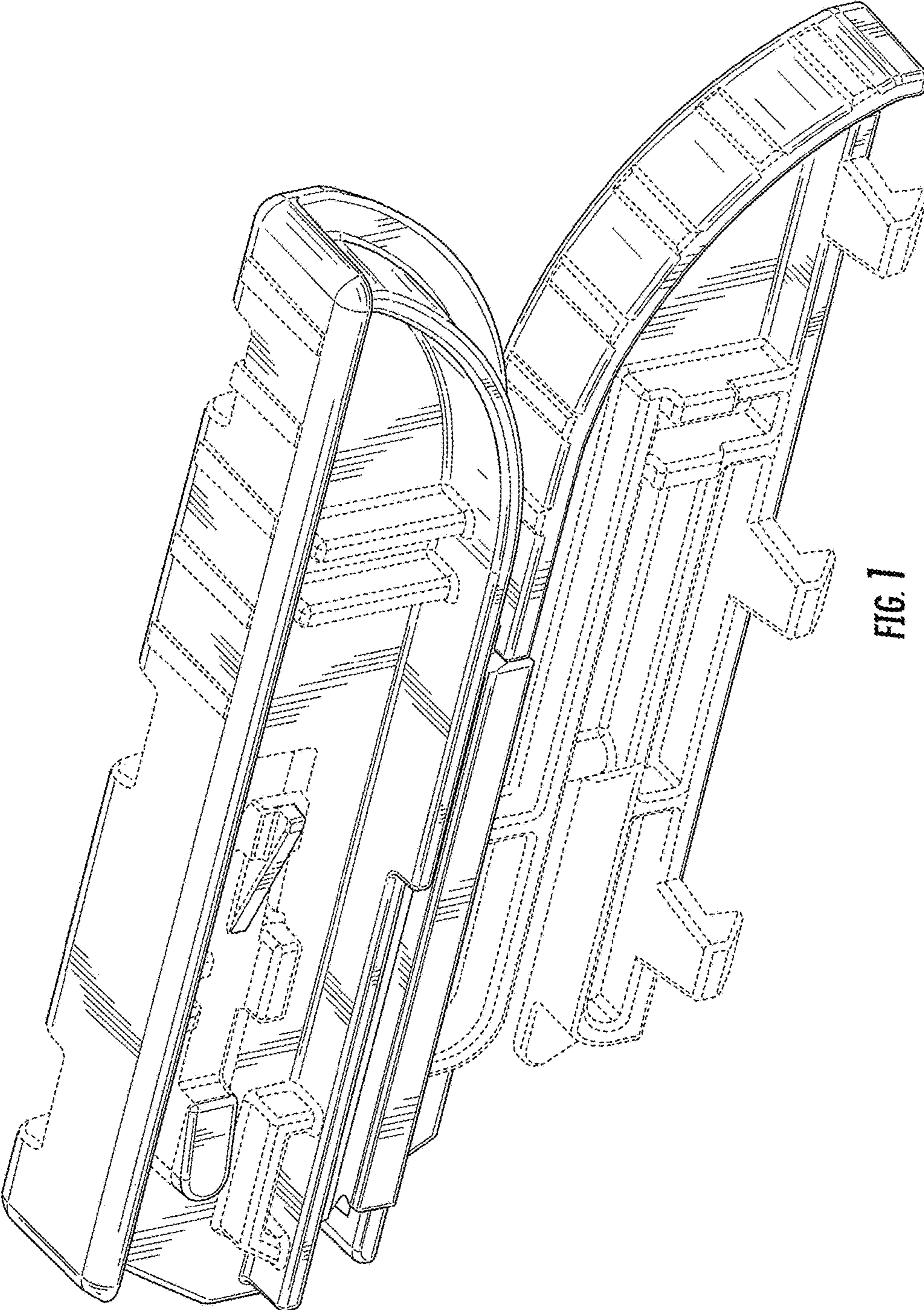


FIG. 1

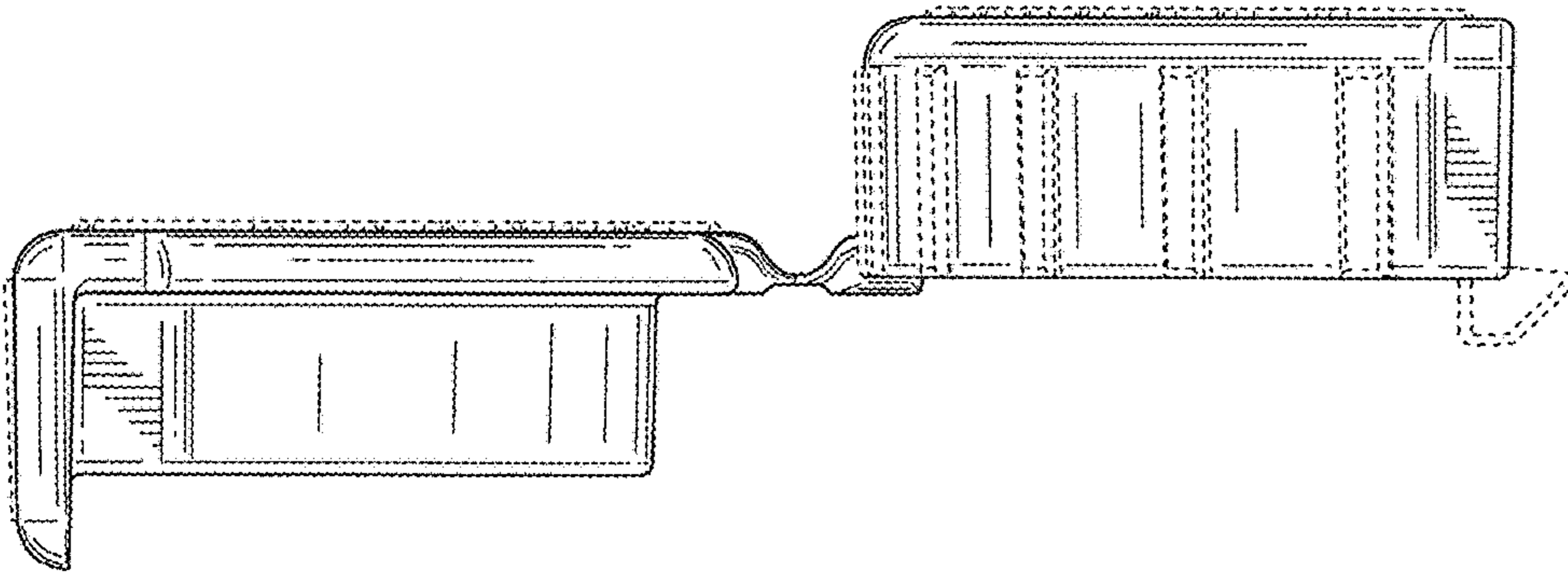


FIG. 3

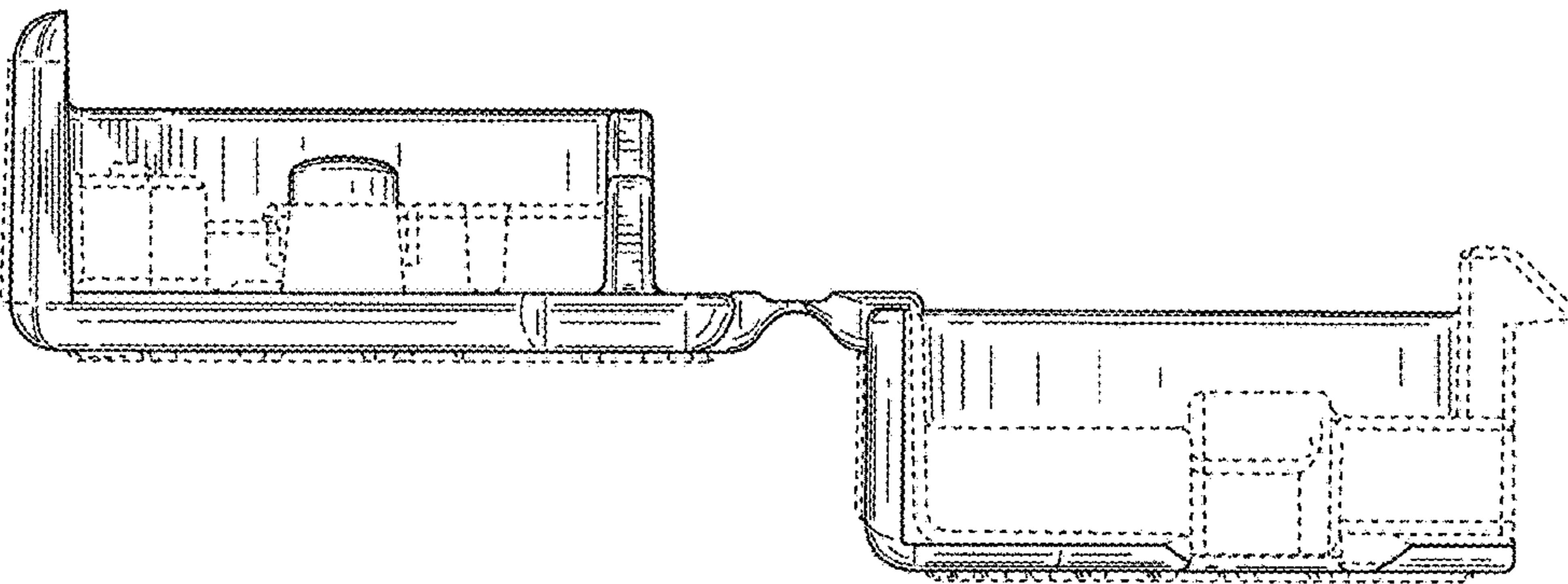


FIG. 2

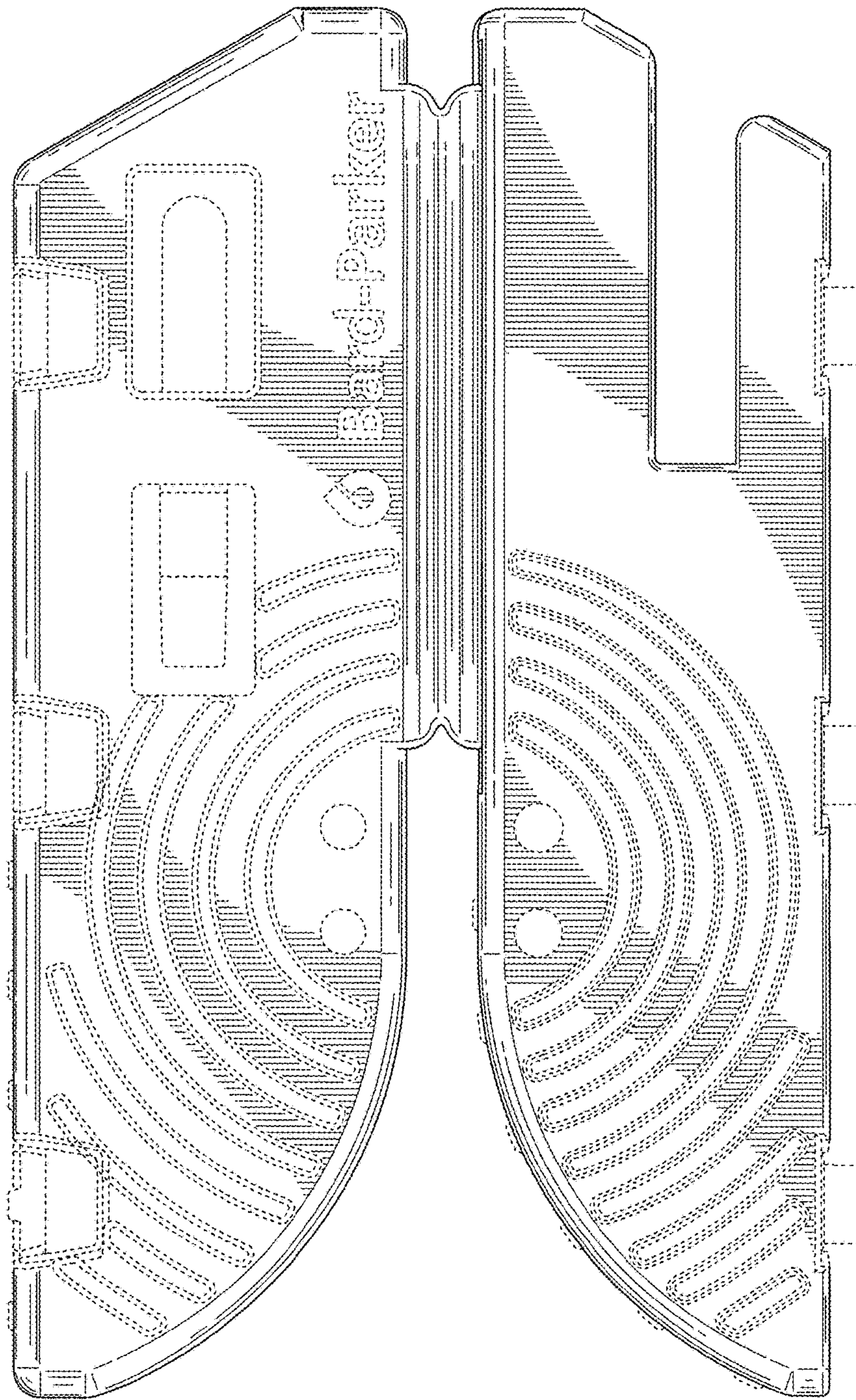


FIG. 4

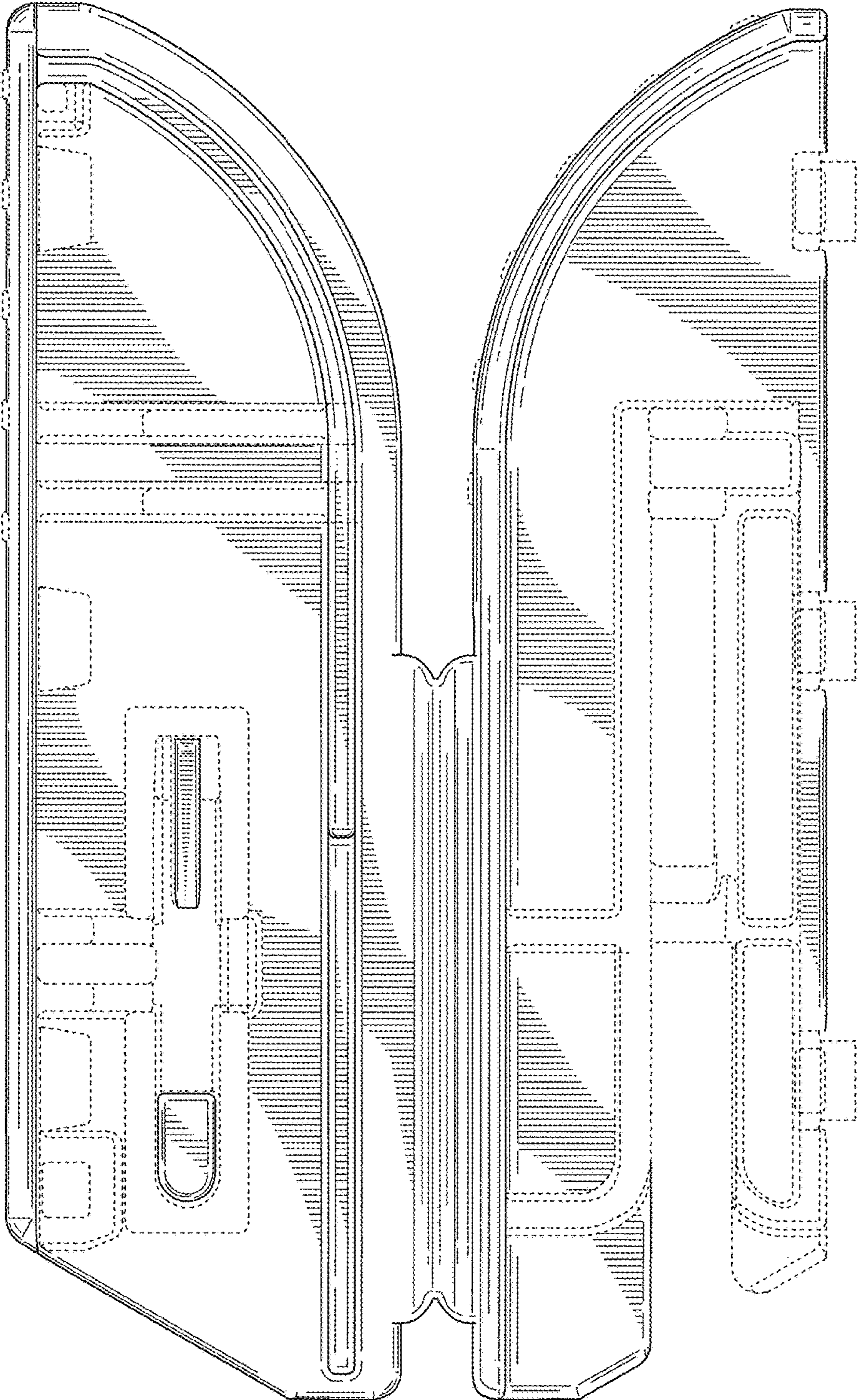


FIG. 5

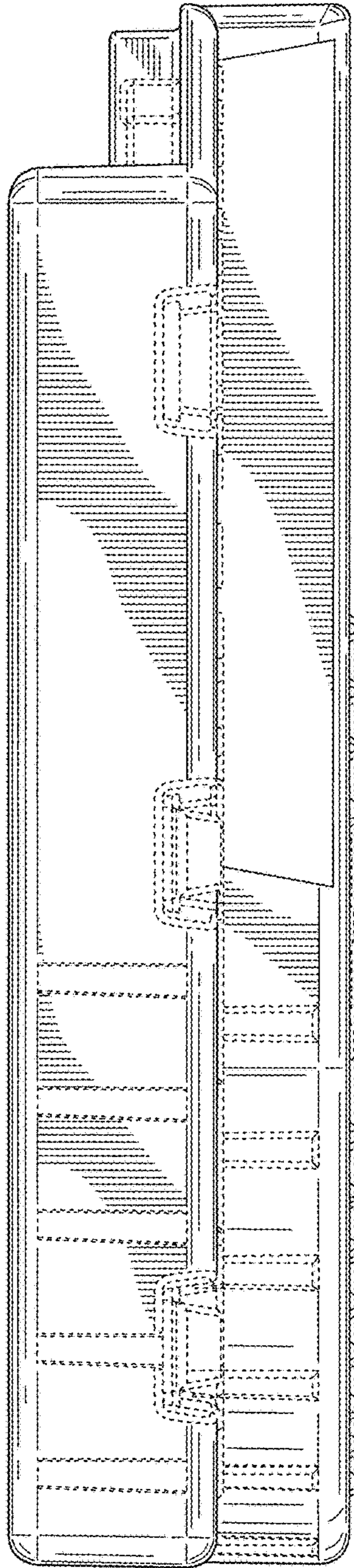


FIG. 6

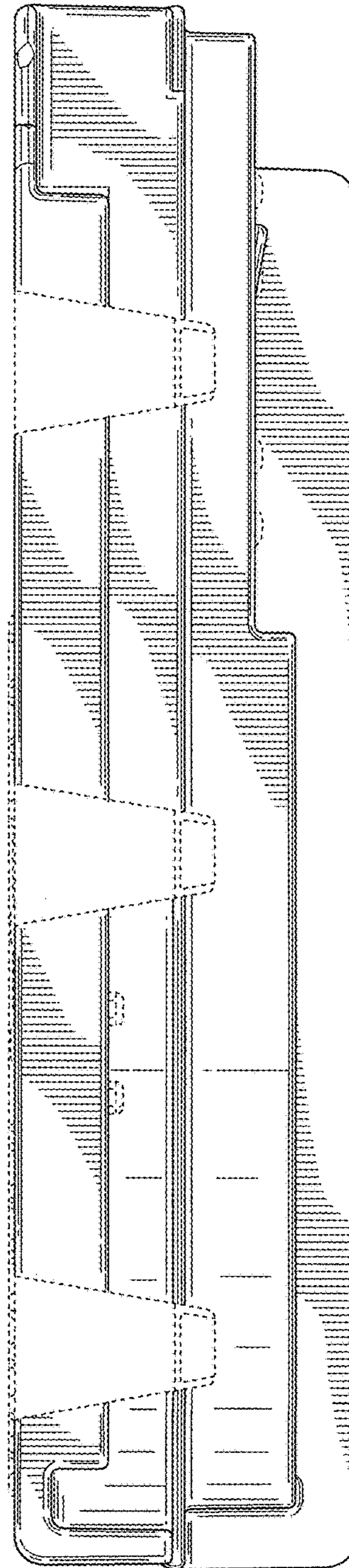


FIG. 7

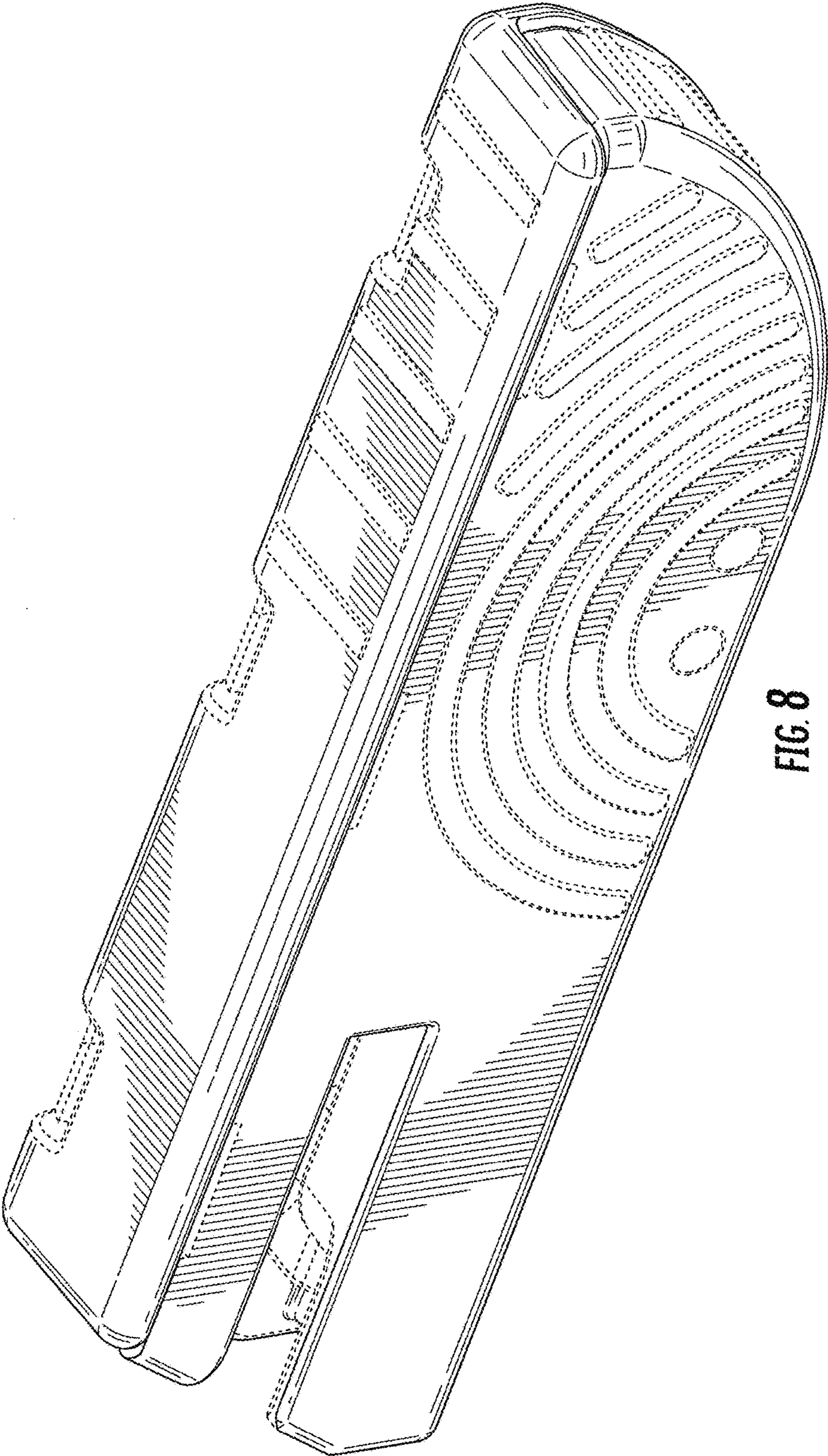


FIG. 8

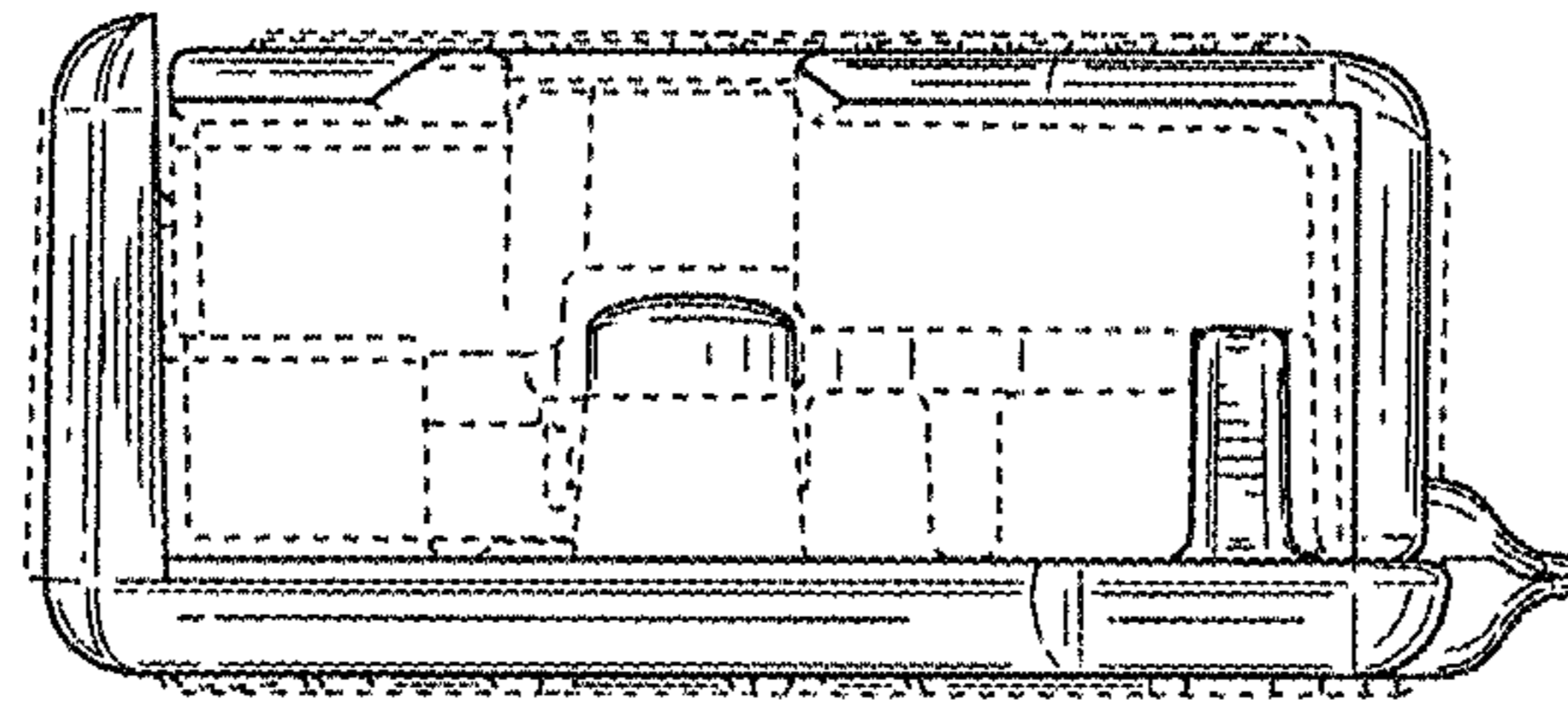


FIG. 10

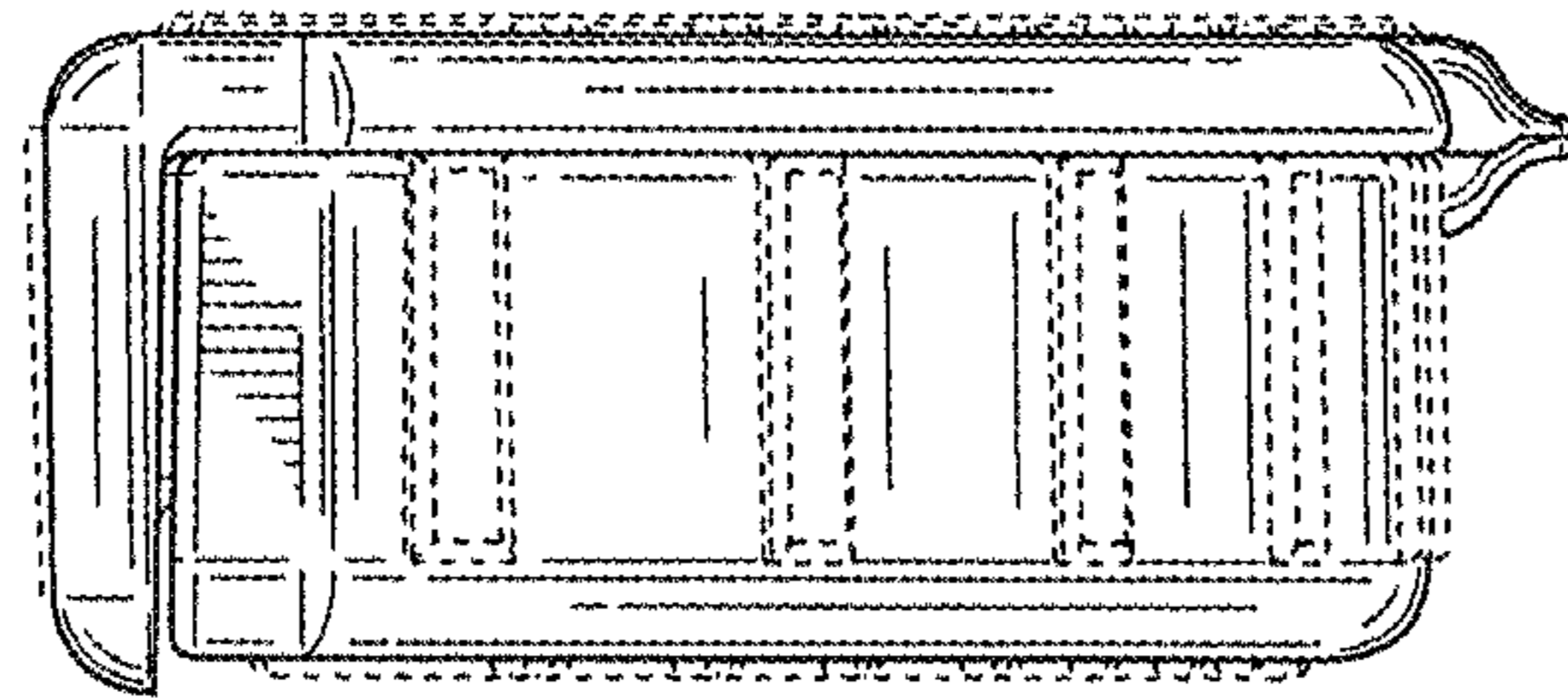


FIG. 9

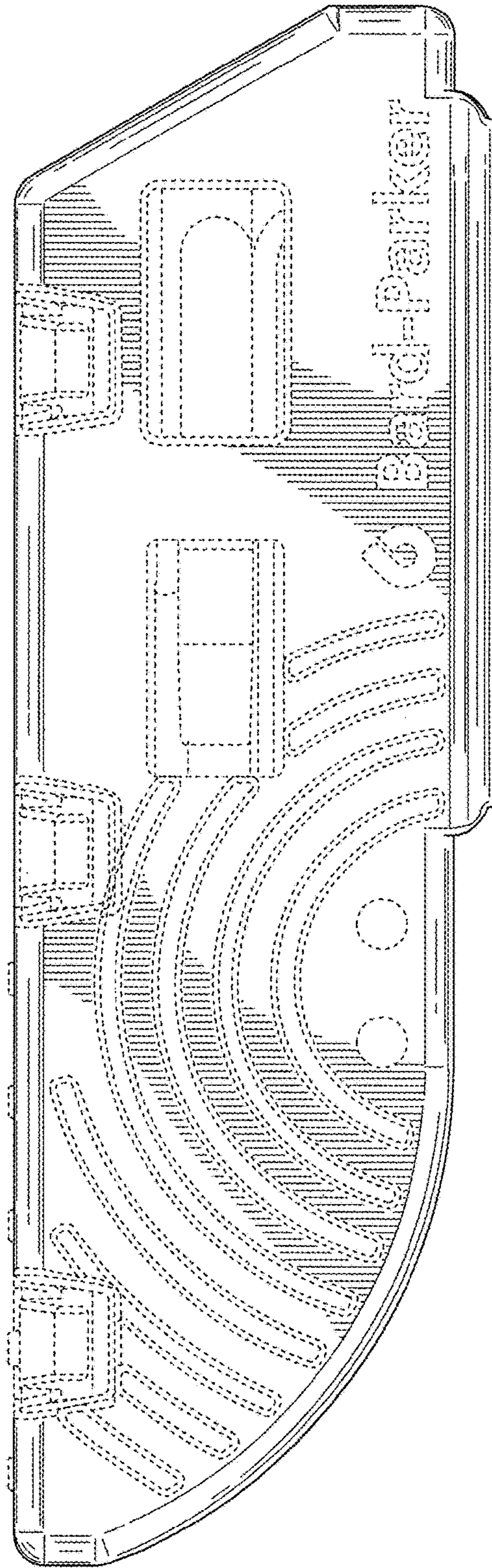


FIG. 11

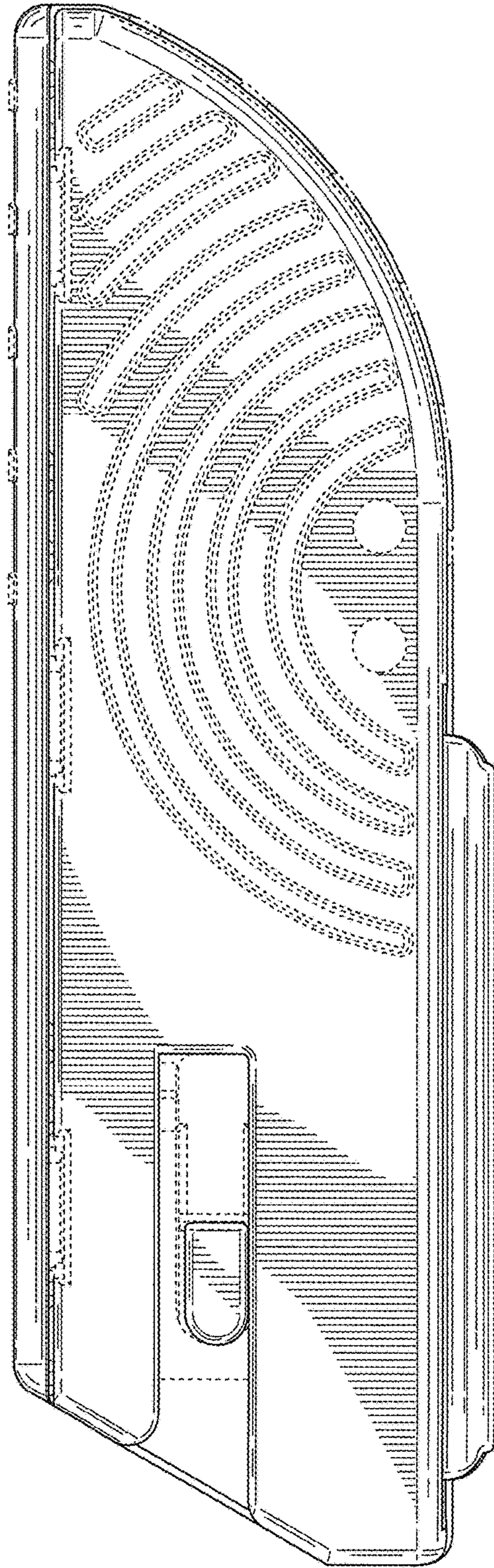


FIG. 12

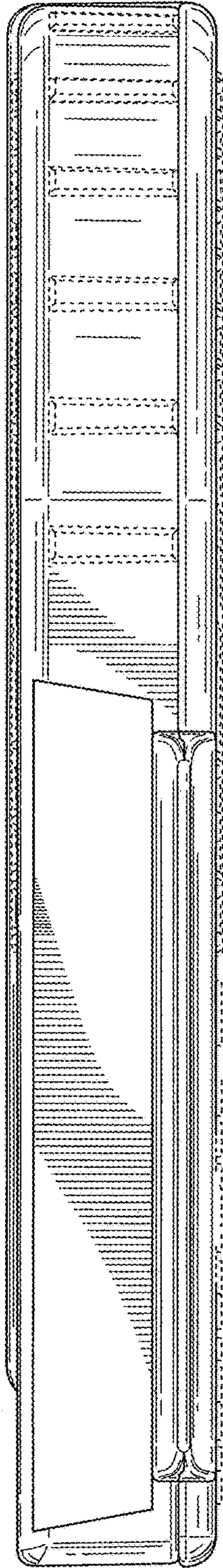


FIG. 13

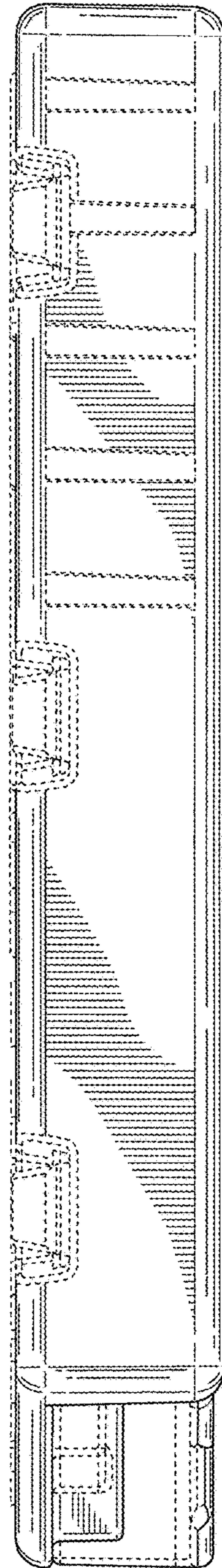


FIG. 14